

US00D547641S

(12) **United States Design Patent**
Jueneman

(10) **Patent No.:** **US D547,641 S**

(45) **Date of Patent:** **** Jul. 31, 2007**

(54) **FASTENER**

(74) *Attorney, Agent, or Firm*—N Paul Friederichs

(76) **Inventor:** **Michael Jueneman**, 7126 Timothy St.,
Anchorage, AK (US) 99502

(57) **CLAIM**

The ornamental design for a fastener, as shown and described.

(**) **Term:** **14 Years**

(21) **Appl. No.:** **29/234,795**

(22) **Filed:** **Jul. 22, 2005**

(51) **LOC (8) Cl.** **08-08**

(52) **U.S. Cl.** **D8/382**

(58) **Field of Classification Search** D8/349,
D8/354, 382; 411/81; 248/200, 300; 403/1,
403/8, 231

See application file for complete search history.

(56) **References Cited**

U.S. PATENT DOCUMENTS

D376,751 S	*	12/1996	Hanson et al.	D8/354
D387,970 S	*	12/1997	Enslin	D8/349
D429,208 S	*	8/2000	McCoy et al.	D12/223
D436,311 S	*	1/2001	Edvardsson	D8/382
D445,019 S	*	7/2001	Vitetta	D8/366
D470,391 S	*	2/2003	Adams	D8/349
D471,431 S	*	3/2003	Valiulis et al.	D8/349
D483,656 S	*	12/2003	Shea	D8/381

* cited by examiner

Primary Examiner—Holly H. Baynham

Assistant Examiner—Sheryl Friedman

DESCRIPTION

FIG. 1 is a perspective view of the present invention;
FIG. 2 is a side view of the present invention;
FIG. 3 is a side view of the present invention opposite that of FIG. 2;
FIG. 4 is a front view of the present invention;
FIG. 5 is a back view of the present invention;
FIG. 6 is a top view of the present invention;
FIG. 7 is a bottom view of the present invention; and,
FIG. 8 is a perspective view of the present invention.

One skilled in the art will recognize that changes in shape may be made along the flat portion, i.e., non-curved portion, of the perimeter of the fastener without departing from the spirit and scope of the present invention. The dashed lines indicate the steel stud wall environment in which the fastener may be displayed.

The broken line showing of a fastener is included for the purpose of illustrating environmental structure and forms no part of the claimed design.

1 Claim, 1 Drawing Sheet

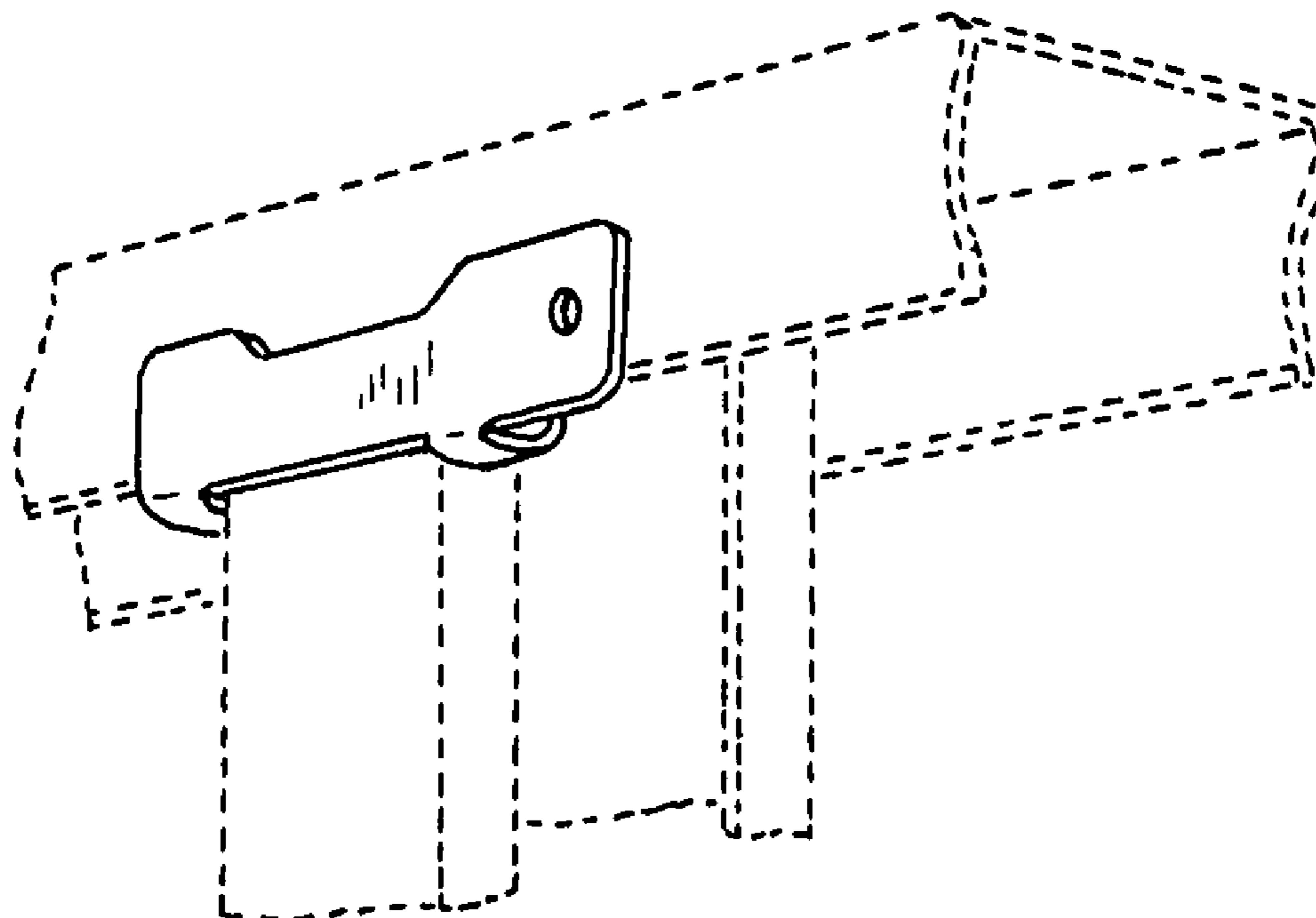


FIG. 1

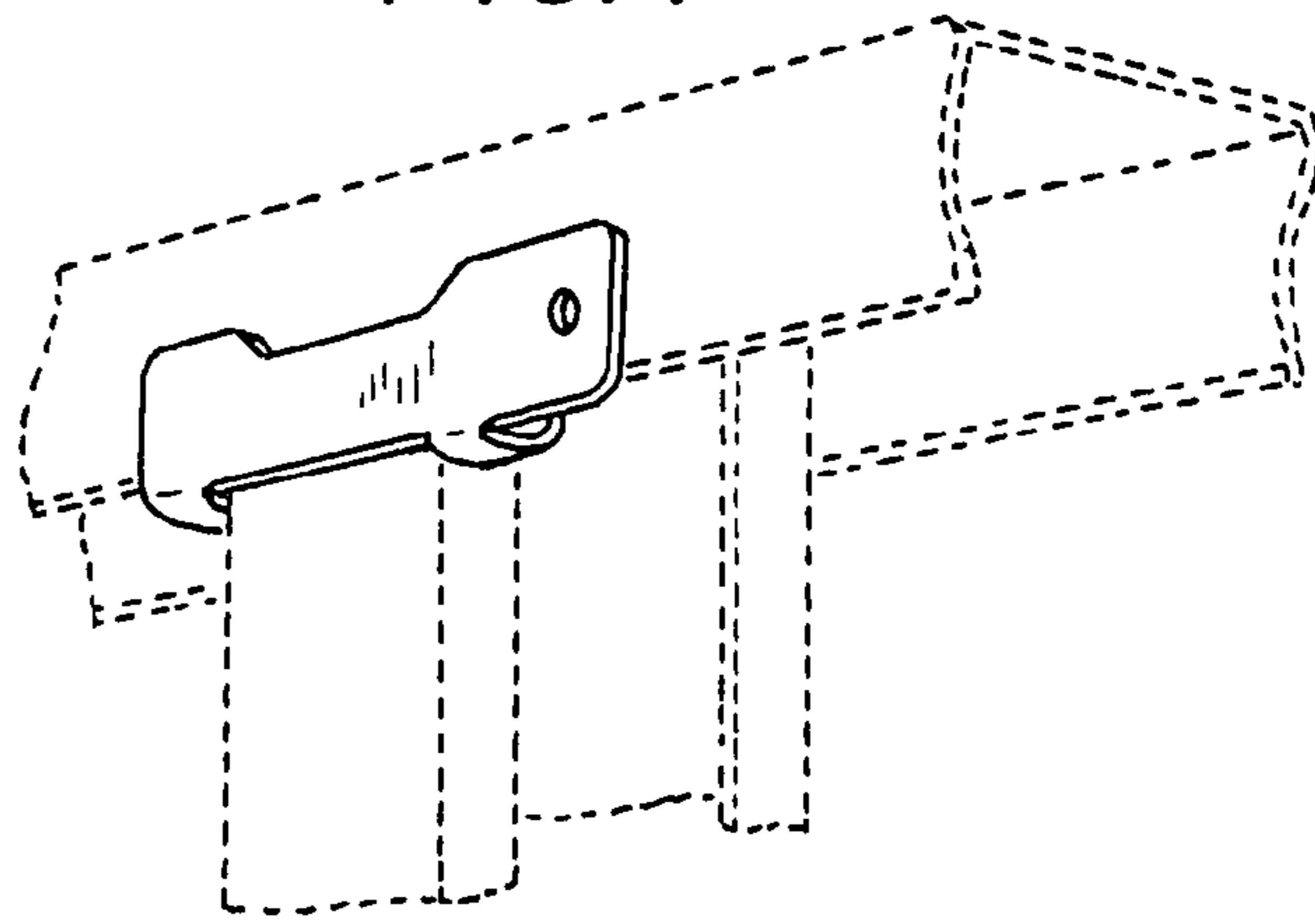


FIG. 2

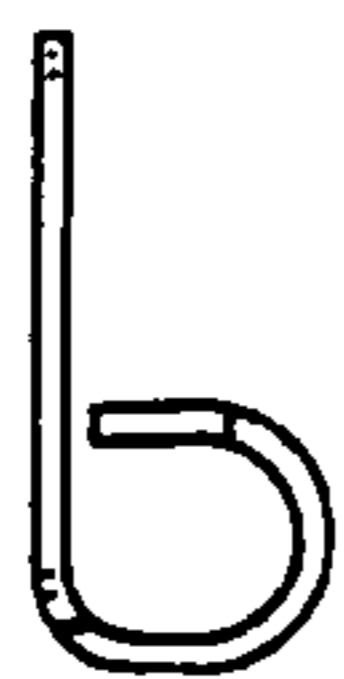


FIG. 3

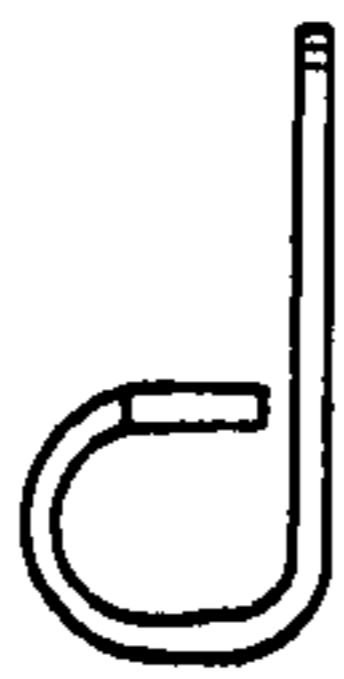


FIG. 4



FIG. 5

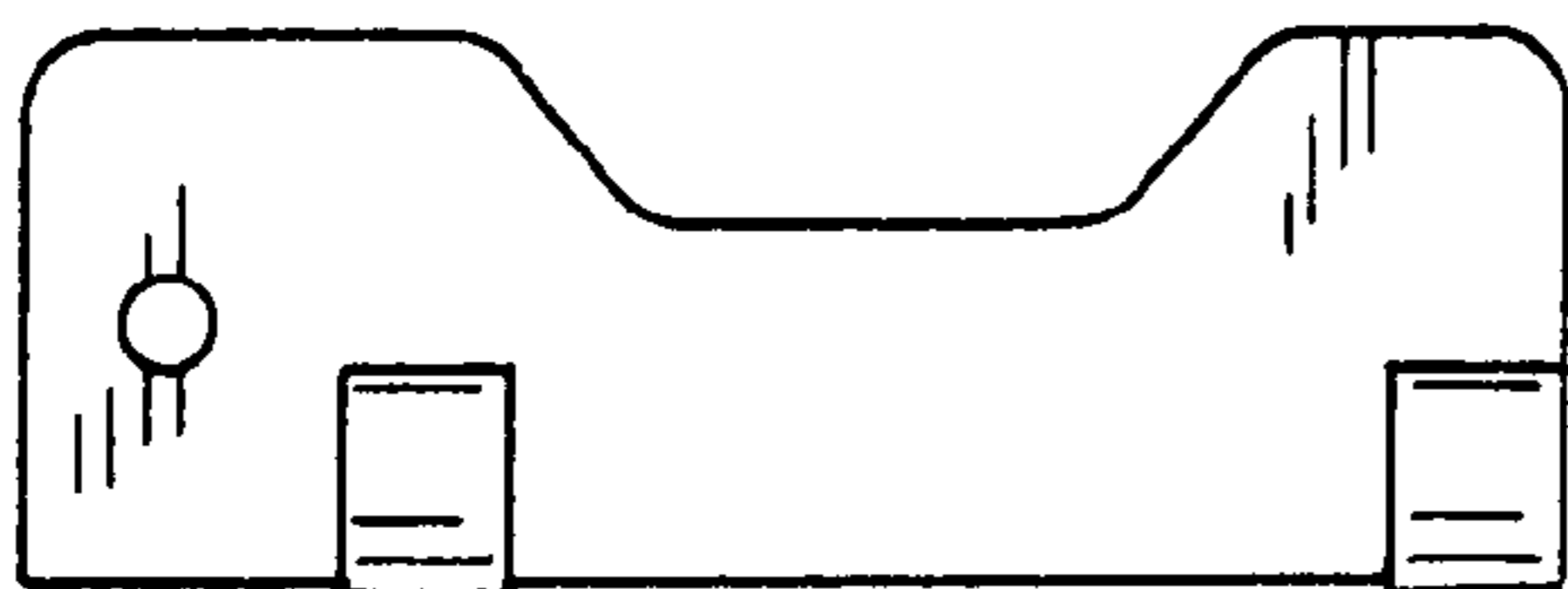


FIG. 6



FIG. 8

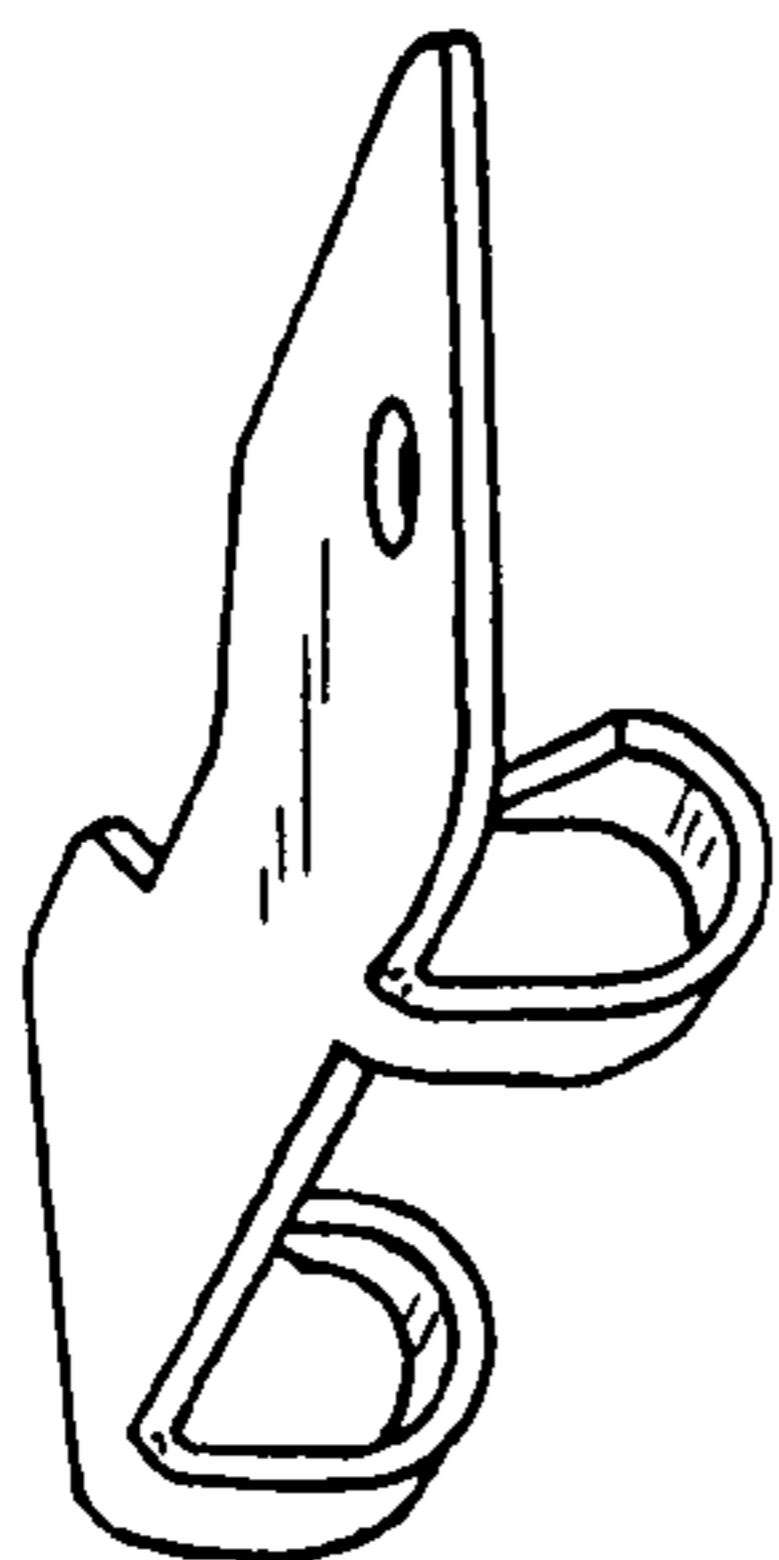


FIG. 7

