

US00D547640S

(12) **United States Design Patent** (10) **Patent No.:** **US D547,640 S**
Remmers (45) **Date of Patent:** **** Jul. 31, 2007**

(54) **DRAWER BRACKET**

FOREIGN PATENT DOCUMENTS

(75) Inventor: **Lee E. Remmers**, Ocala, FL (US)

AT 260460 3/1968

(73) Assignee: **Clairson, Inc.**, Newark, DE (US)

(Continued)

(**) Term: **14 Years**

OTHER PUBLICATIONS

(21) Appl. No.: **29/244,571**

Spur® Schulte, The Premier Adjustable Shelving Hardware System, Schulte Corporation, Fast and Easy Installation, 1 page.

(22) Filed: **Dec. 12, 2005**

(Continued)

Related U.S. Application Data

(63) Continuation-in-part of application No. 10/424,681, filed on Apr. 28, 2003, now Pat. No. 7,021,730.

Primary Examiner—Robert M. Spear

Assistant Examiner—Susan Bennett Hattan

(74) *Attorney, Agent, or Firm*—Harness, Dickey & Pierce, P.L.C.

(51) **LOC (8) Cl.** **08-05**

(52) **U.S. Cl.** **D8/381**

(58) **Field of Classification Search** D8/381, D8/380, 373, 349, 402, 308; D6/574, 572, D6/556, 449, 511, 478, 492, 367, 509, 491; 248/300, 298.1, 250, 247, 243, 236, 235, 248/222.21-61, 225.11, 214, 208, 301, 297.21; 108/152, 108; 312/408, 404; 229/120.07-34; 40/661.03, 642.02; 211/184; D19/34.1
See application file for complete search history.

(57) **CLAIM**

The ornamental design for a drawer bracket, as shown and described.

DESCRIPTION

FIG. 1 is a perspective view of the drawer bracket, showing my new design;

FIG. 2 is another perspective view of the drawer bracket shown in FIG. 1;

FIG. 3 is a side elevation view of the drawer bracket shown in FIG. 2;

FIG. 4 is a side elevation view of the drawer bracket shown in FIG. 1;

FIG. 5 is a top plan view of the drawer bracket shown in FIG. 4;

FIG. 6 is a bottom plan view of the drawer bracket shown in FIG. 4;

FIG. 7 is a front elevation view of the drawer bracket shown in FIG. 1; and,

FIG. 8 is a rear elevation view of the drawer bracket shown in FIG. 1.

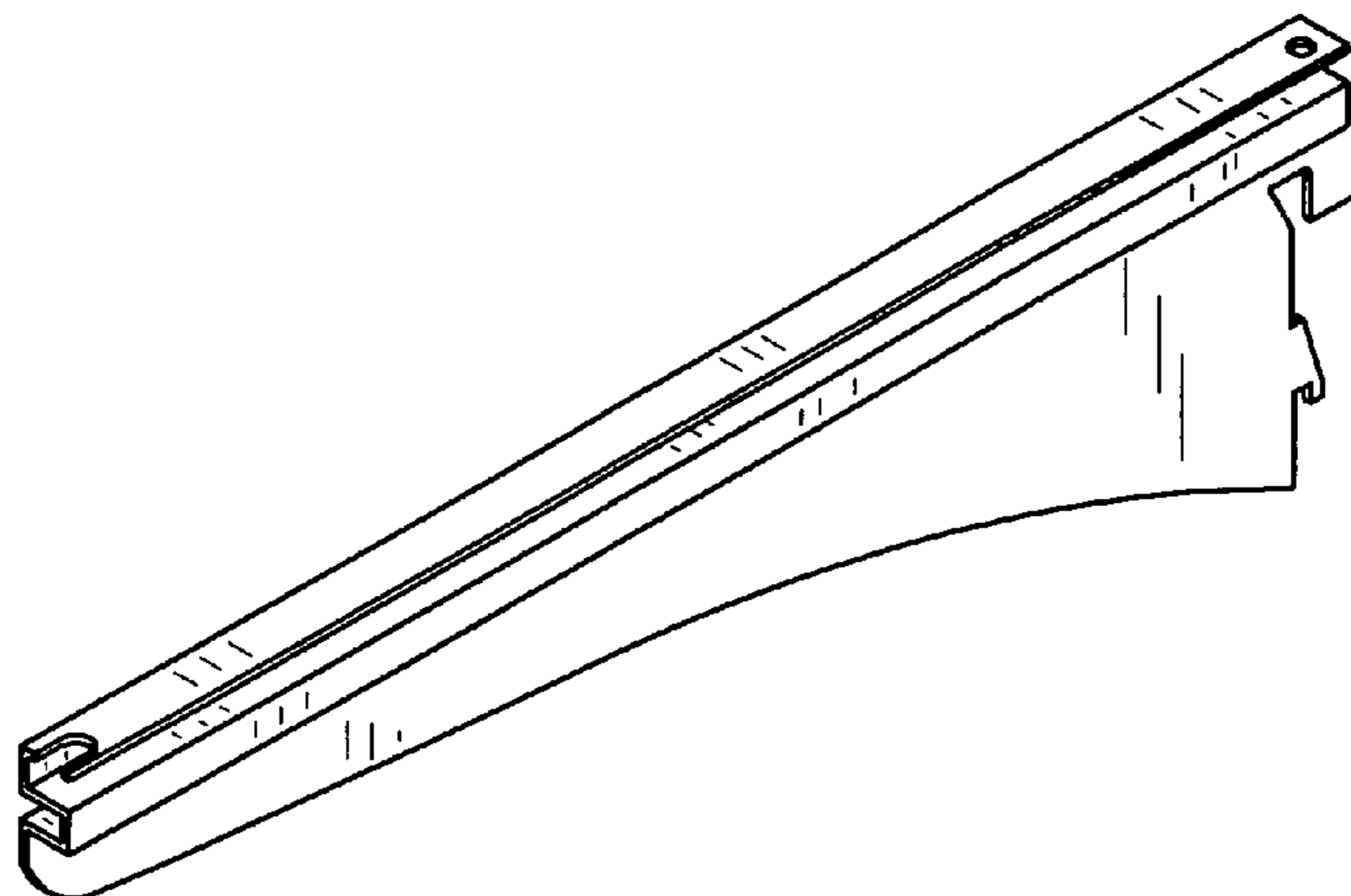
(56) **References Cited**

U.S. PATENT DOCUMENTS

766,605 A	8/1904	Dilg
1,176,588 A	3/1916	Miller et al.
1,677,764 A	7/1928	Gloekler
1,953,688 A	4/1934	Otte
1,973,416 A	9/1934	Otte
2,033,860 A	3/1936	Otte
2,033,861 A	3/1936	Otte
2,057,429 A	10/1936	Heim
2,080,907 A	5/1937	Buchanan
2,750,052 A	6/1956	Brown et al.
2,875,016 A	2/1959	Fry
2,956,766 A	10/1960	Galassi
3,092,047 A	6/1963	Chesley

(Continued)

1 Claim, 2 Drawing Sheets



US D547,640 S

U.S. PATENT DOCUMENTS

3,099,501 A	7/1963	Hillson et al.	5,641,217 A	6/1997	Caruso et al.	
3,135,491 A	6/1964	Knape et al.	5,720,230 A *	2/1998	Mansfield	108/108
3,185,426 A	5/1965	Bjerke	5,752,610 A	5/1998	Remmers	
3,207,100 A	9/1965	Peacock	5,803,274 A	9/1998	Scheveloff	
3,233,852 A	2/1966	Azar	5,810,179 A	9/1998	Kleiman	
3,269,556 A	8/1966	Streater	D408,175 S	4/1999	Daniels et al.	
3,338,541 A	8/1967	Kellogg	5,909,936 A	6/1999	Daniels et al.	
3,353,684 A	11/1967	Chesley	D425,754 S	5/2000	Matteson	
3,355,134 A	11/1967	Chesley	6,070,957 A	6/2000	Zachrai	
3,677,615 A	7/1972	Hudson	6,467,860 B2	10/2002	Remmers	
3,701,325 A	10/1972	Fenwick	6,497,185 B1 *	12/2002	Barrett et al.	108/108
4,098,480 A	7/1978	Neumann	6,505,800 B1	1/2003	Abdullah	
4,121,876 A	10/1978	Ratti	6,729,704 B2 *	5/2004	Ames	312/408
4,589,349 A	5/1986	Gebhardt et al.	6,799,523 B1 *	10/2004	Cunha	108/108
4,597,616 A	7/1986	Trubiano	6,953,176 B2 *	10/2005	Remmers	248/225.11
4,624,376 A	11/1986	Bertram	6,976,596 B2	12/2005	Brooks	
4,720,069 A	1/1988	Bessinger	2004/0112852 A1	6/2004	Brooks	
4,732,284 A	3/1988	Remmers	2005/0011420 A1 *	1/2005	Costa et al.	108/108
4,735,470 A	4/1988	Falk				
D295,950 S	5/1988	Johnston				
4,776,472 A	10/1988	Rosen				
4,783,035 A	11/1988	Remmers				
4,792,195 A	12/1988	Adriaansen et al.				
D323,088 S	1/1992	Fler				
5,086,936 A	2/1992	Remmers				
5,205,630 A	4/1993	Welch et al.				
D341,819 S	11/1993	Carlstrom				
5,346,077 A	9/1994	Randall				
5,486,046 A	1/1996	Jernstrom et al.				
5,507,398 A	4/1996	Miller				
5,524,981 A	6/1996	Herrmann et al.				
5,531,464 A	7/1996	Maurer et al.				
5,580,018 A	12/1996	Remmers				
5,592,886 A	1/1997	Williams et al.				
5,605,238 A	2/1997	Jacobs				

FOREIGN PATENT DOCUMENTS

GB	361068	11/1931
GB	365254	1/1932
GB	939044	10/1963
GB	2236243 A	4/1991

OTHER PUBLICATIONS

Spur® Schulte, The Premier Adjustable Shelving Hardware System, Schulte Corporation, Select your Spur® Brackets, 1 page.
 Spur® Schulte, Introducing Quick-Change Artistry, Schulte Corporation, 2 pages.
 NewTech Hardware, Heavy Duty Adjustable Steel Shelving, Installation Guides, 1 page.
 NewTech Hardware, Heavy Duty Adjustable Steel Shelving, NewTech Accessory Brackets, 1 page.

* cited by examiner

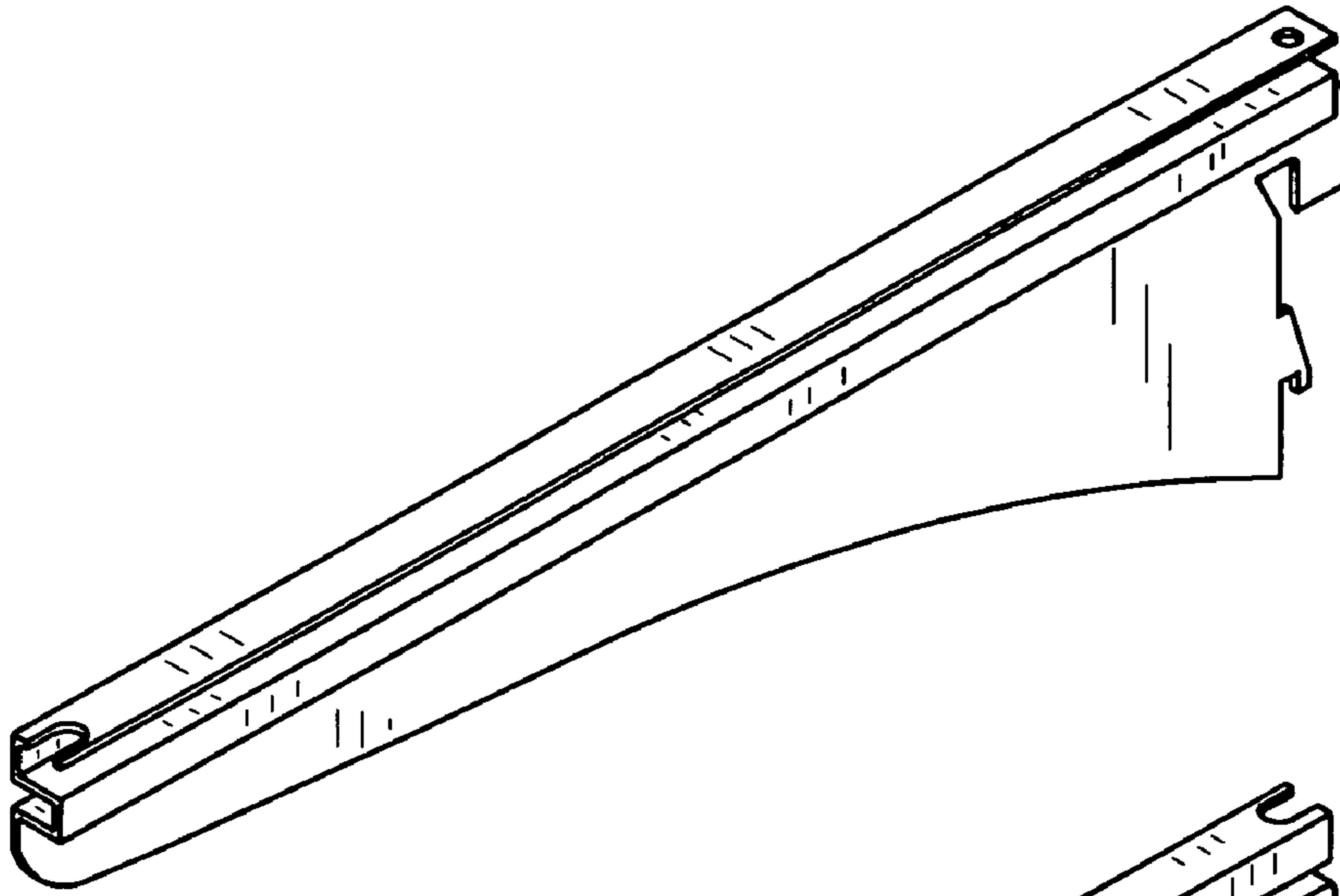


FIG. 1

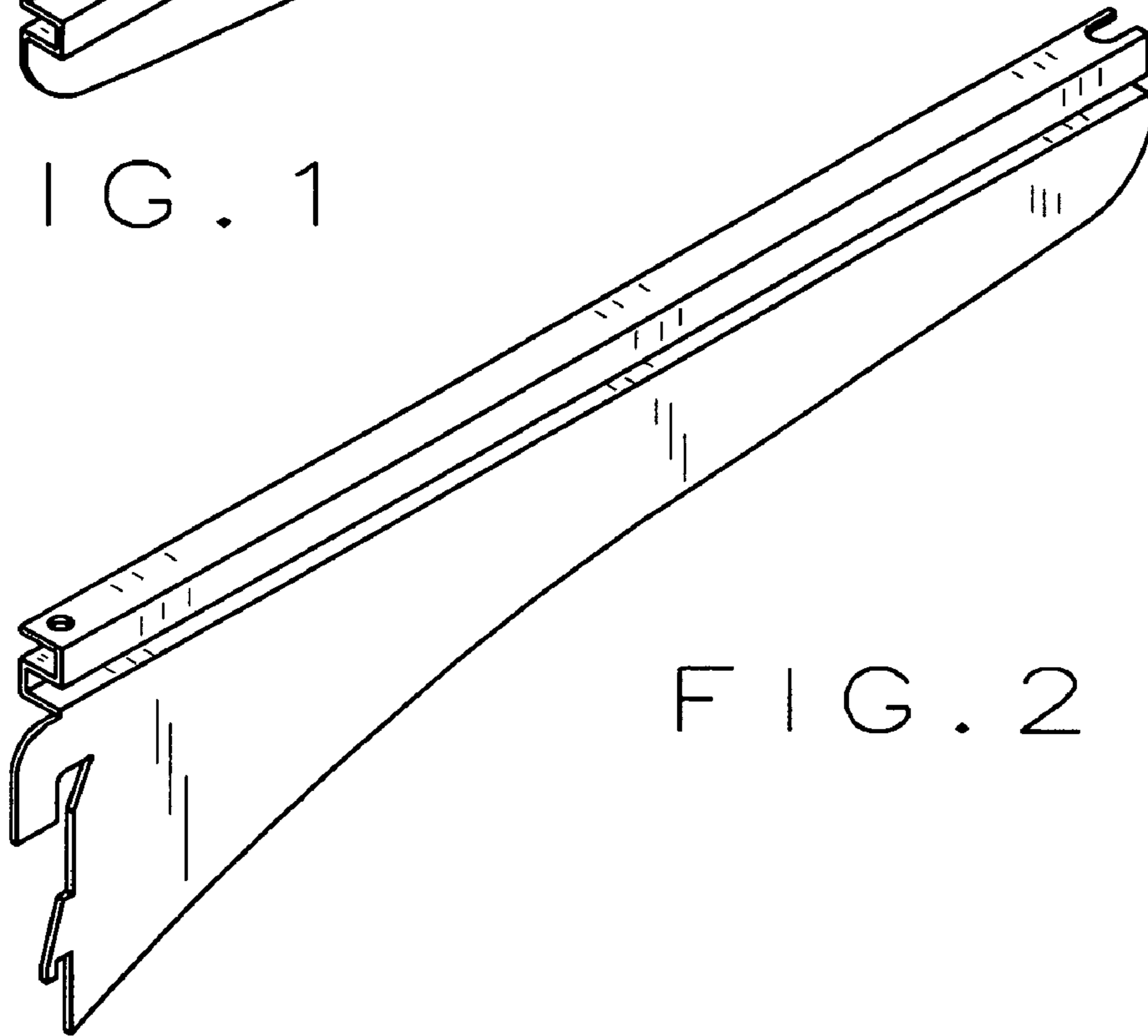


FIG. 2

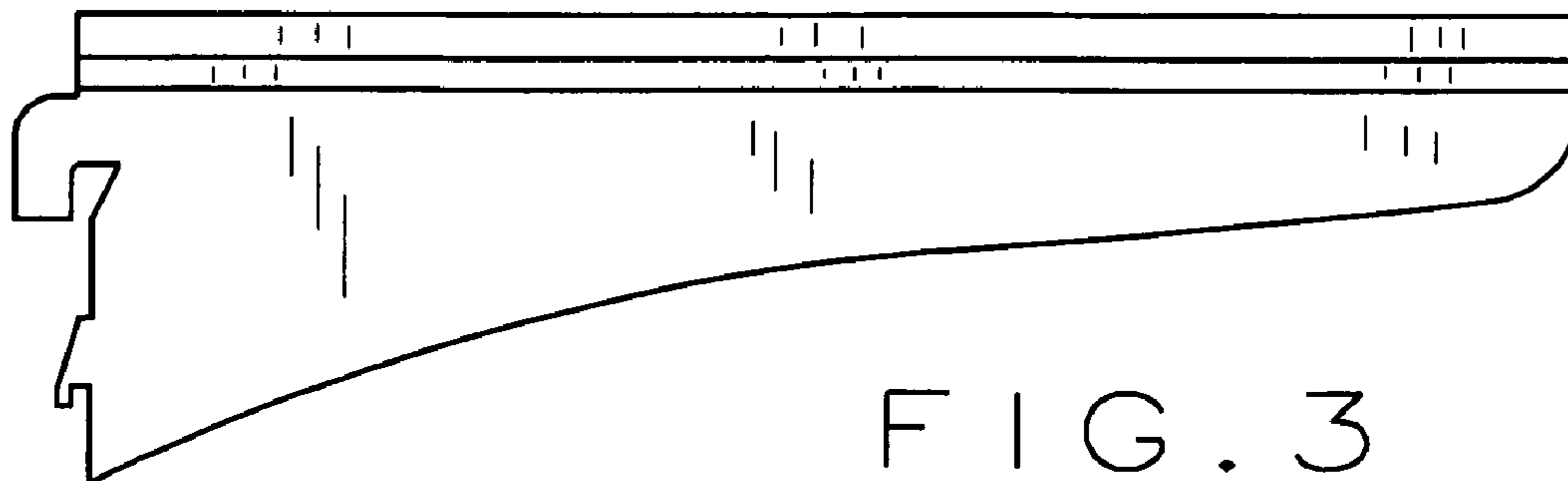


FIG. 3



FIG. 4



FIG. 5



FIG. 6



FIG. 7



FIG. 8