

US00D547639S

(12) **United States Design Patent**
Dayt

(10) **Patent No.:** **US D547,639 S**

(45) **Date of Patent:** **** Jul. 31, 2007**

(54) **CASTOR**

(75) Inventor: **Patrick Dayt**, Besançon (FR)

(73) Assignee: **Bruandet SA**, La Barre (FR)

(**) Term: **14 Years**

(21) Appl. No.: **29/235,495**

(22) Filed: **Aug. 3, 2005**

(30) **Foreign Application Priority Data**

Feb. 17, 2005 (EM) 000296272-0001

Feb. 17, 2005 (EM) 000296272-0002

Feb. 17, 2005 (EM) 000296272-0003

(51) **LOC (8) Cl.** **08-05**

(52) **U.S. Cl.** **D8/375**

(58) **Field of Classification Search** D8/375;
16/18 CG, 45-47; 190/18 A; D6/610
See application file for complete search history.

(56) **References Cited**

U.S. PATENT DOCUMENTS

D308,161 S * 5/1990 Daniels D8/375

D456,697 S * 5/2002 Holbrook D8/375

D457,809 S * 5/2002 Holbrook D8/375

D460,346 S * 7/2002 Screen et al. D8/375

D470,748 S * 2/2003 Tsai D8/375

* cited by examiner

Primary Examiner—Holly H. Baynham

(74) *Attorney, Agent, or Firm*—Young & Thompson

(57) **CLAIM**

The ornamental design for a castor, as shown and described.

DESCRIPTION

FIG. 1 is a top, front and side perspective view of a castor showing my new design;

FIG. 2 is a front elevational view thereof;

FIG. 3 is a side elevational view thereof from the left of FIG. 2, the side elevational view thereof from the right of FIG. 2 being the mirror image thereof;

FIG. 4 is a rear elevational view thereof;

FIG. 5 is a top plan view thereof; and

FIG. 6 is a top, front and side perspective view of a second embodiment;

FIG. 7 is a front elevational view thereof;

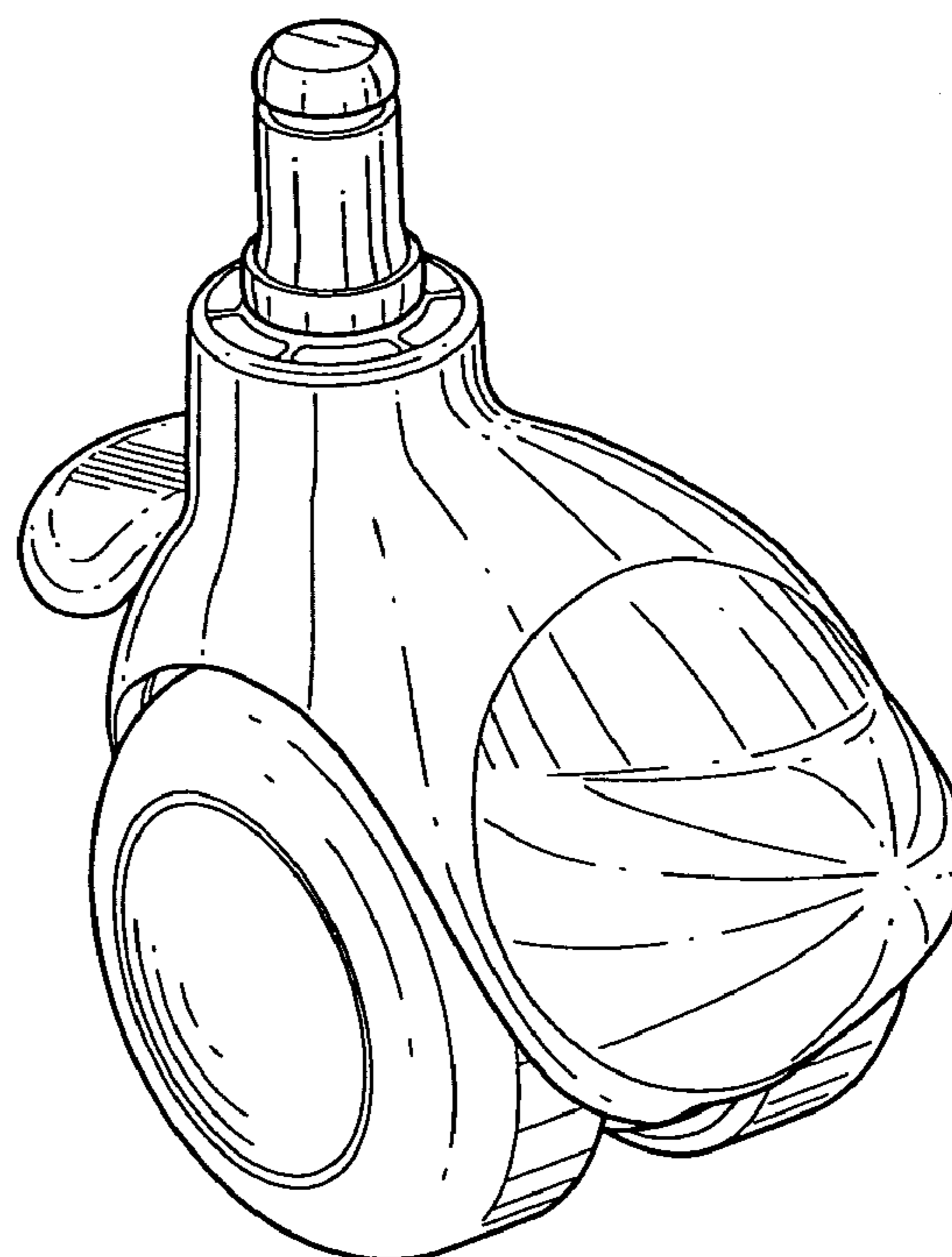
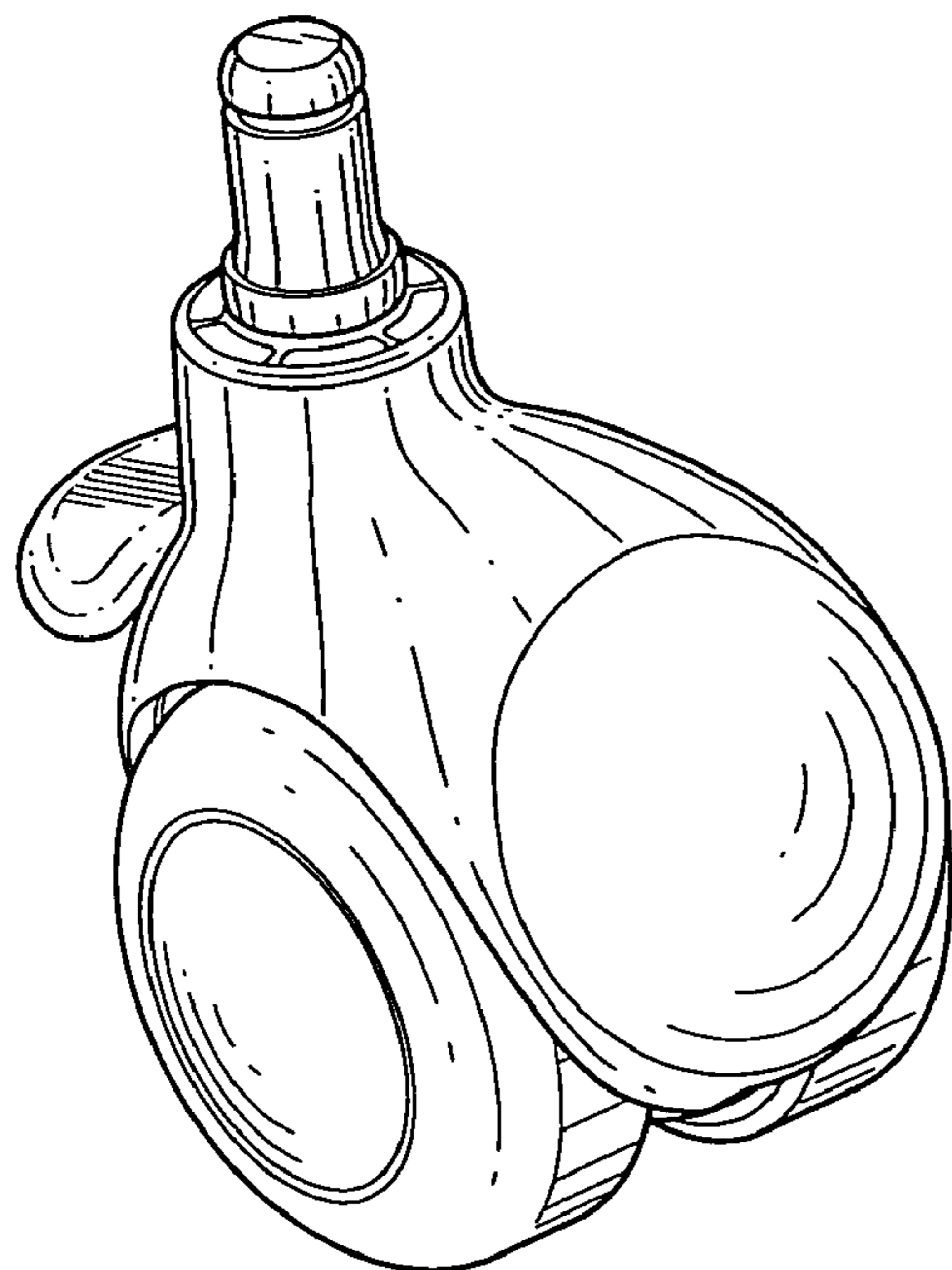
FIG. 8 is a side elevational view thereof from the left of FIG. 7; the side elevational view from the right of FIG. 7 being a mirror image thereof;

FIG. 9 is a rear elevational view thereof; and,

FIG. 10 is a top plan view thereof.

The bottom plan view forms no part of the claimed invention and so is not shown.

1 Claim, 4 Drawing Sheets



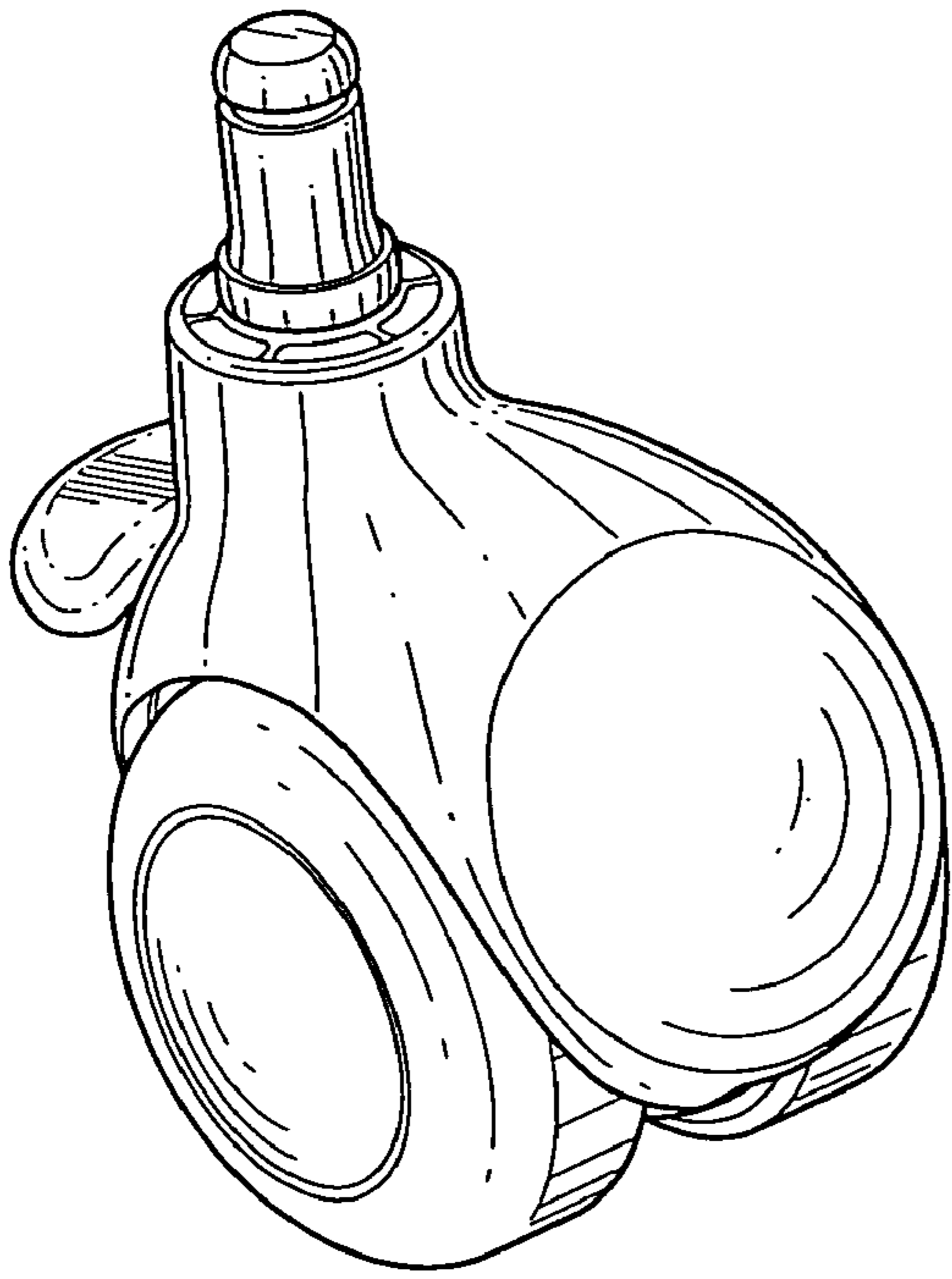


FIG. 1

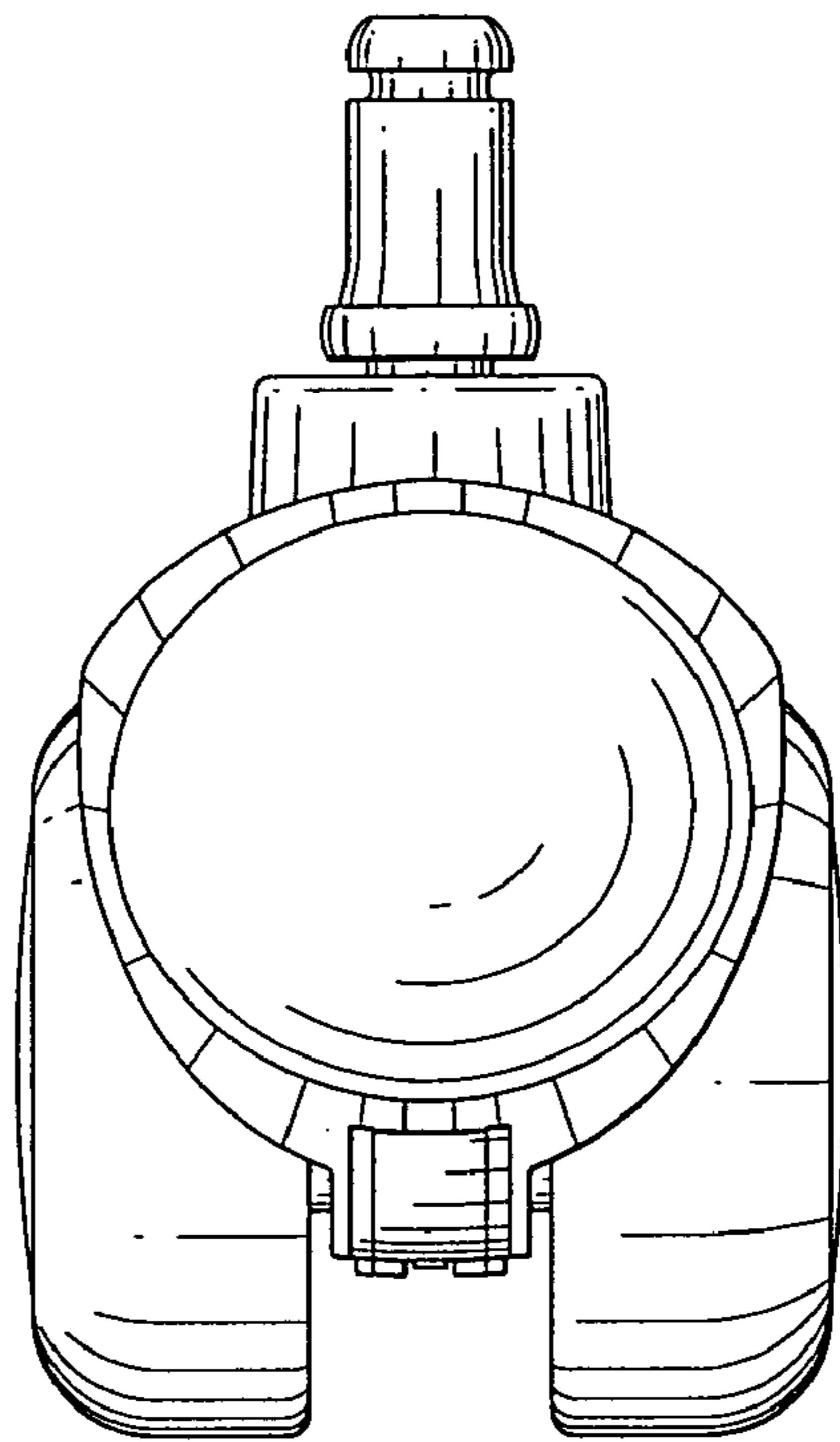


FIG. 2

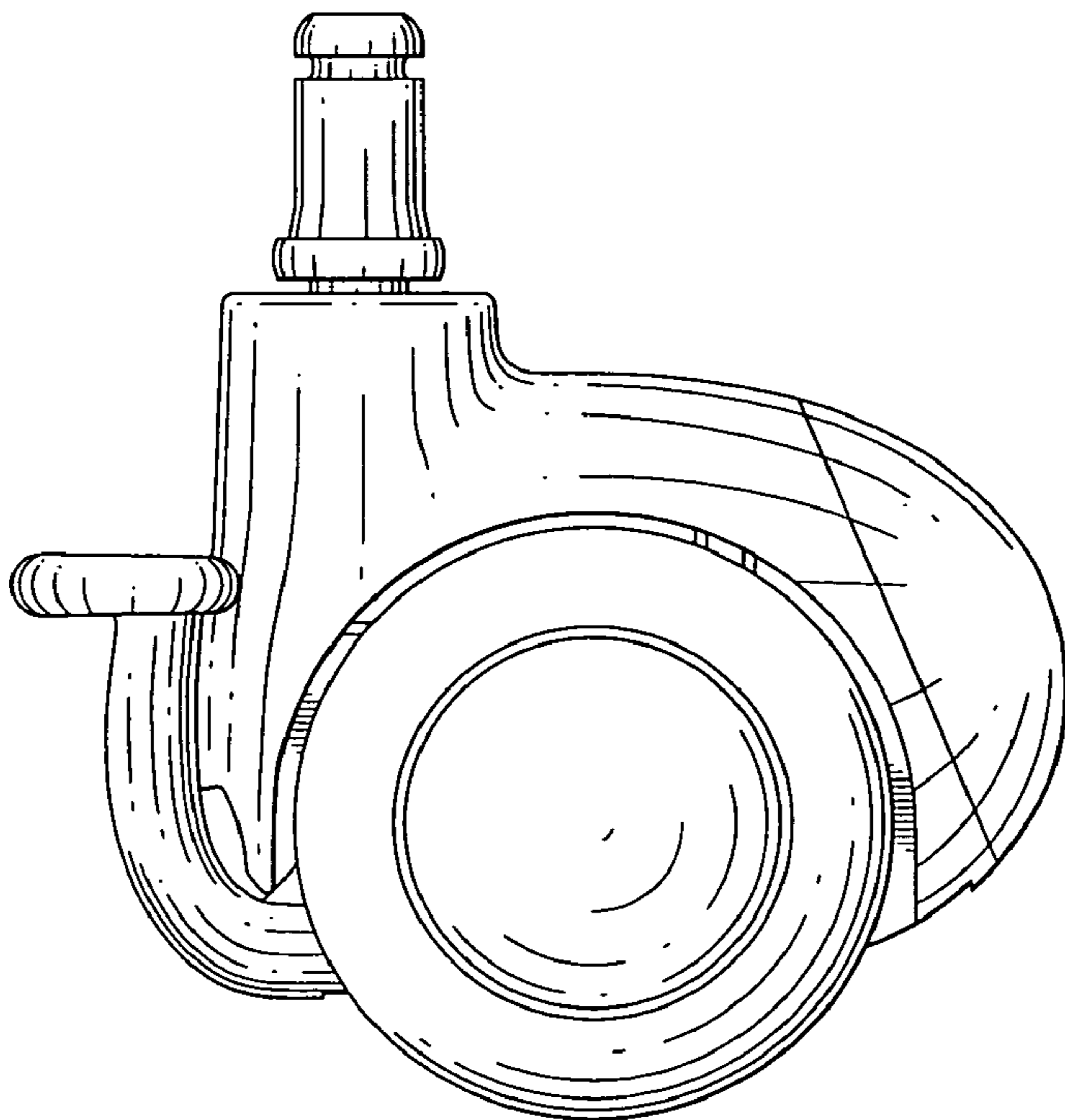


FIG. 3

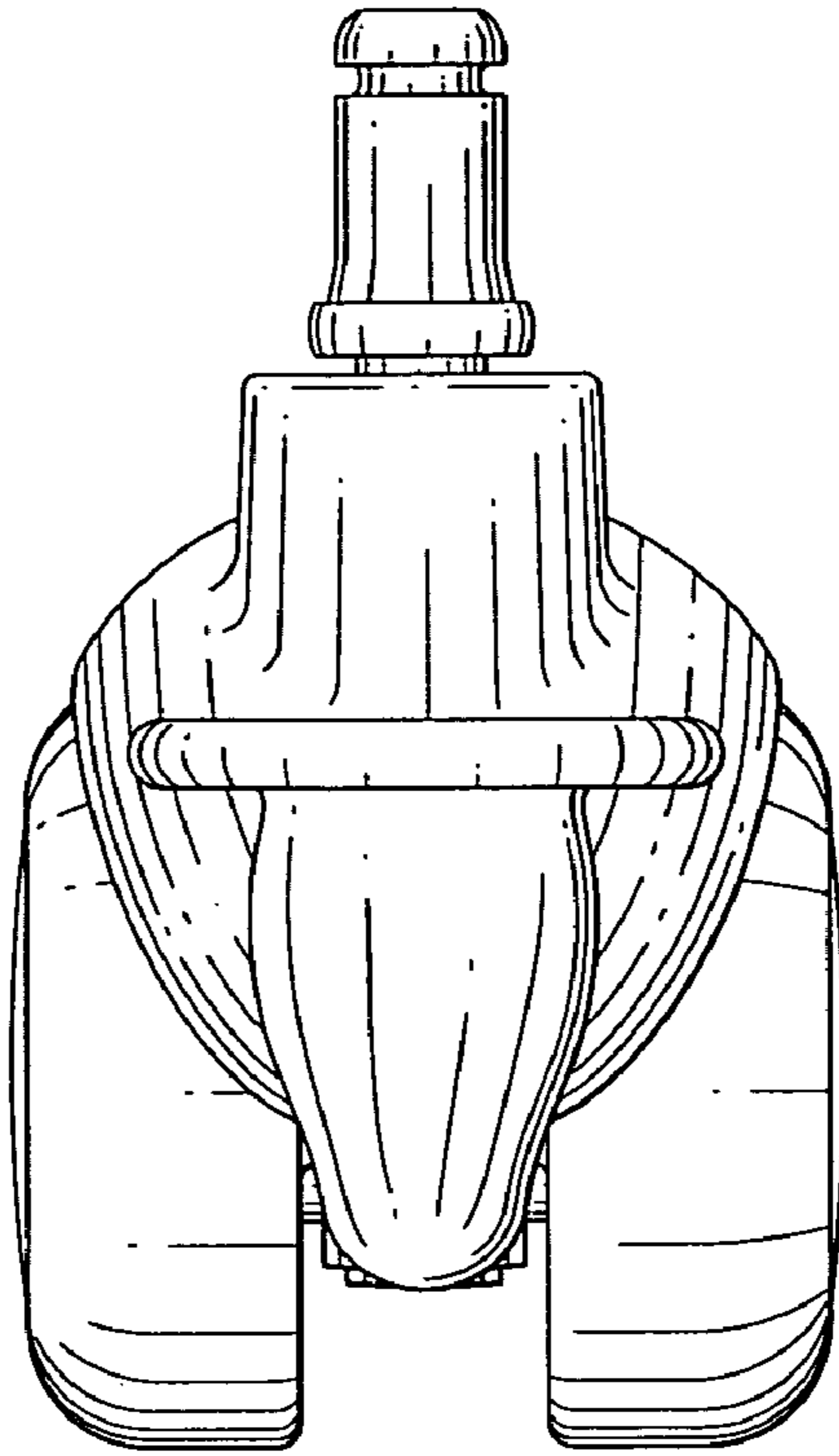


FIG. 4

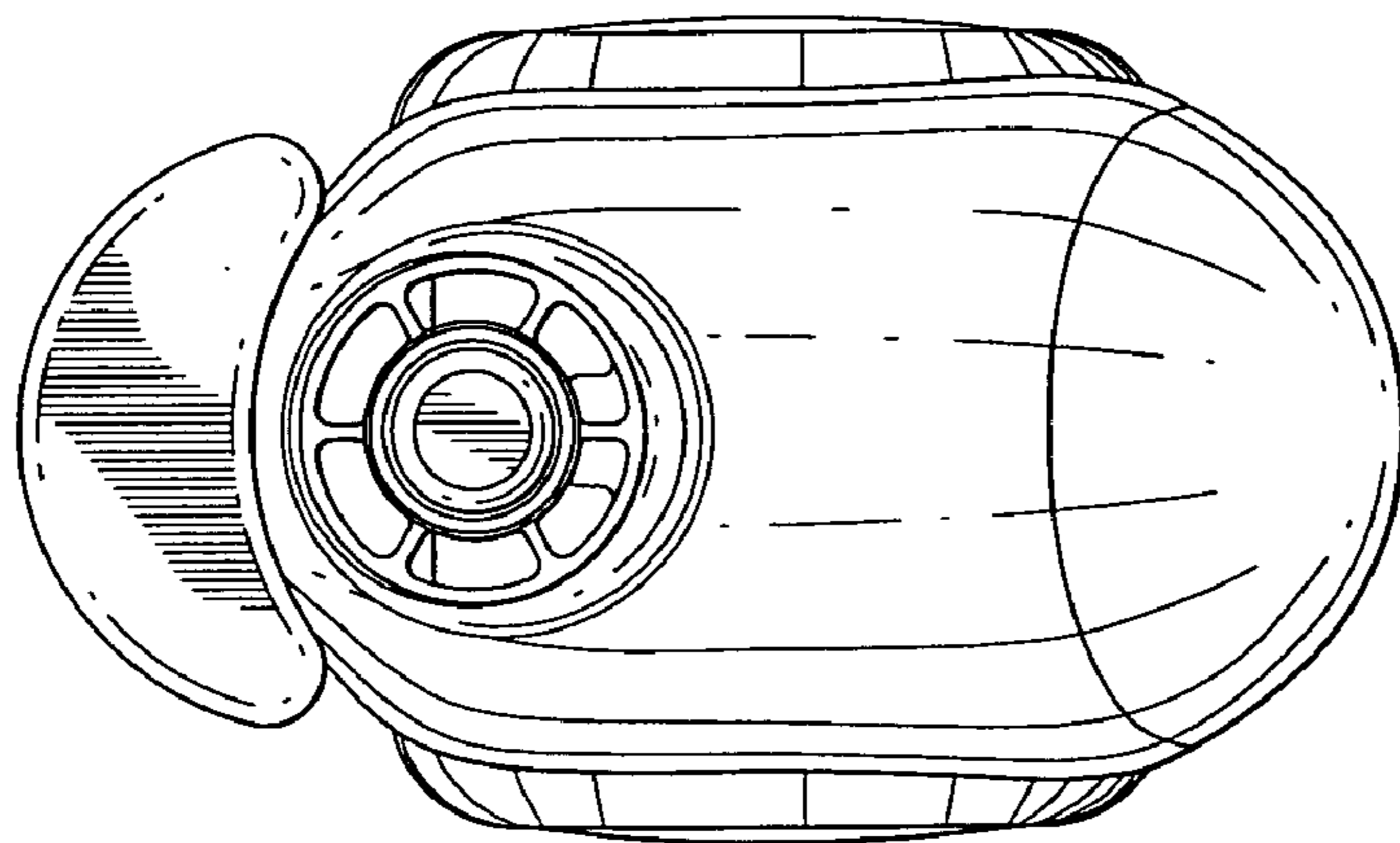


FIG. 5

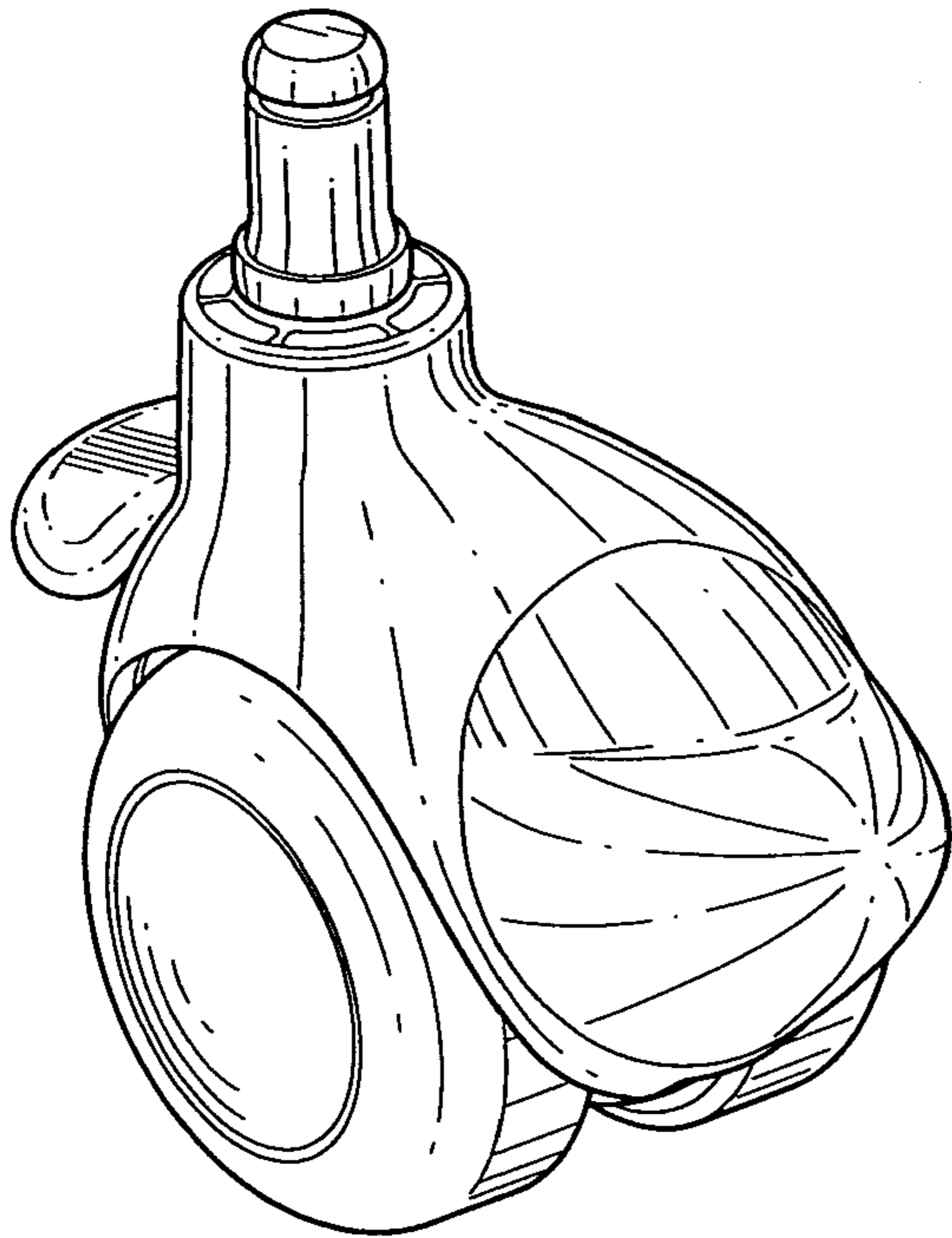


FIG. 6

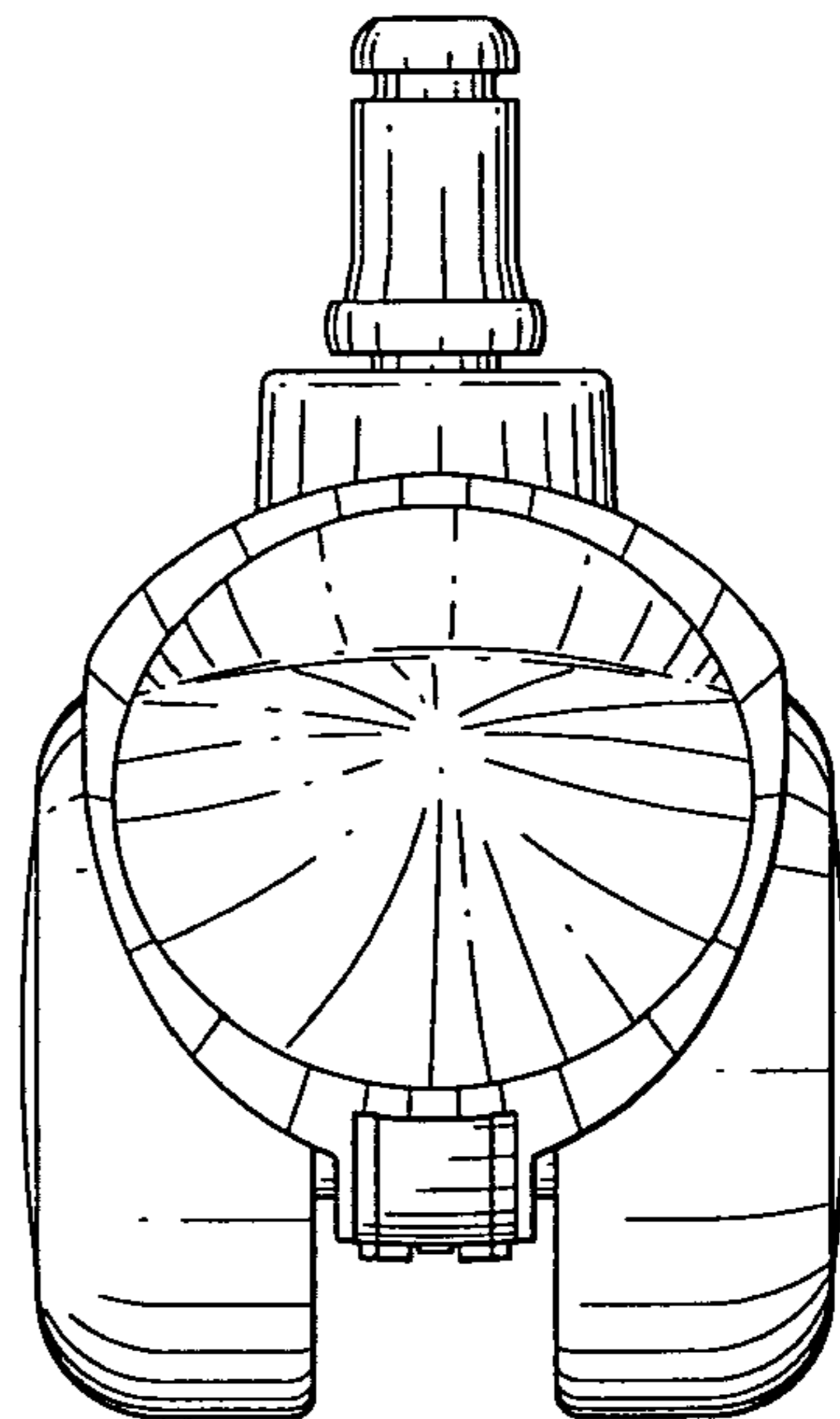


FIG. 7

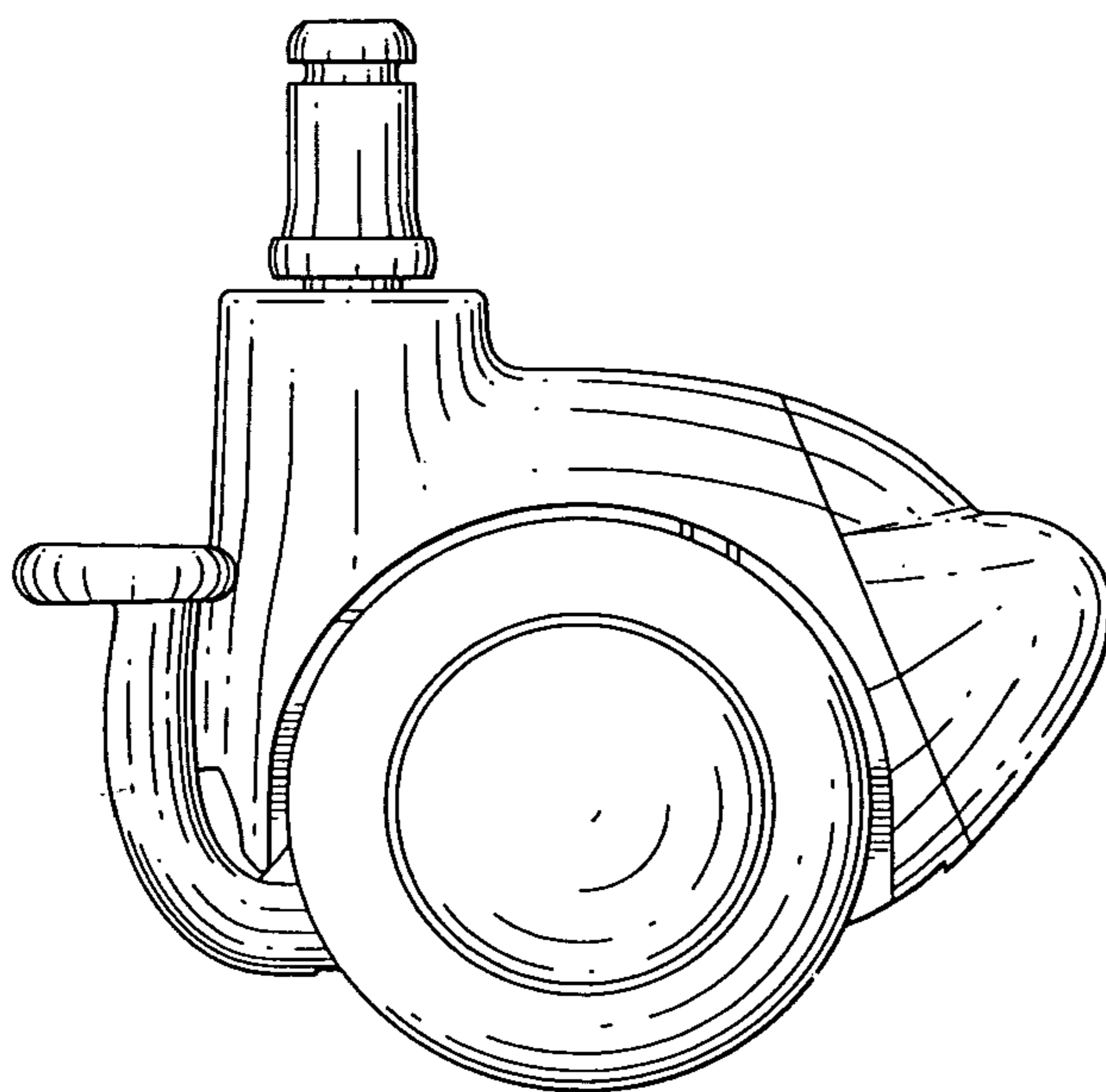


FIG. 8

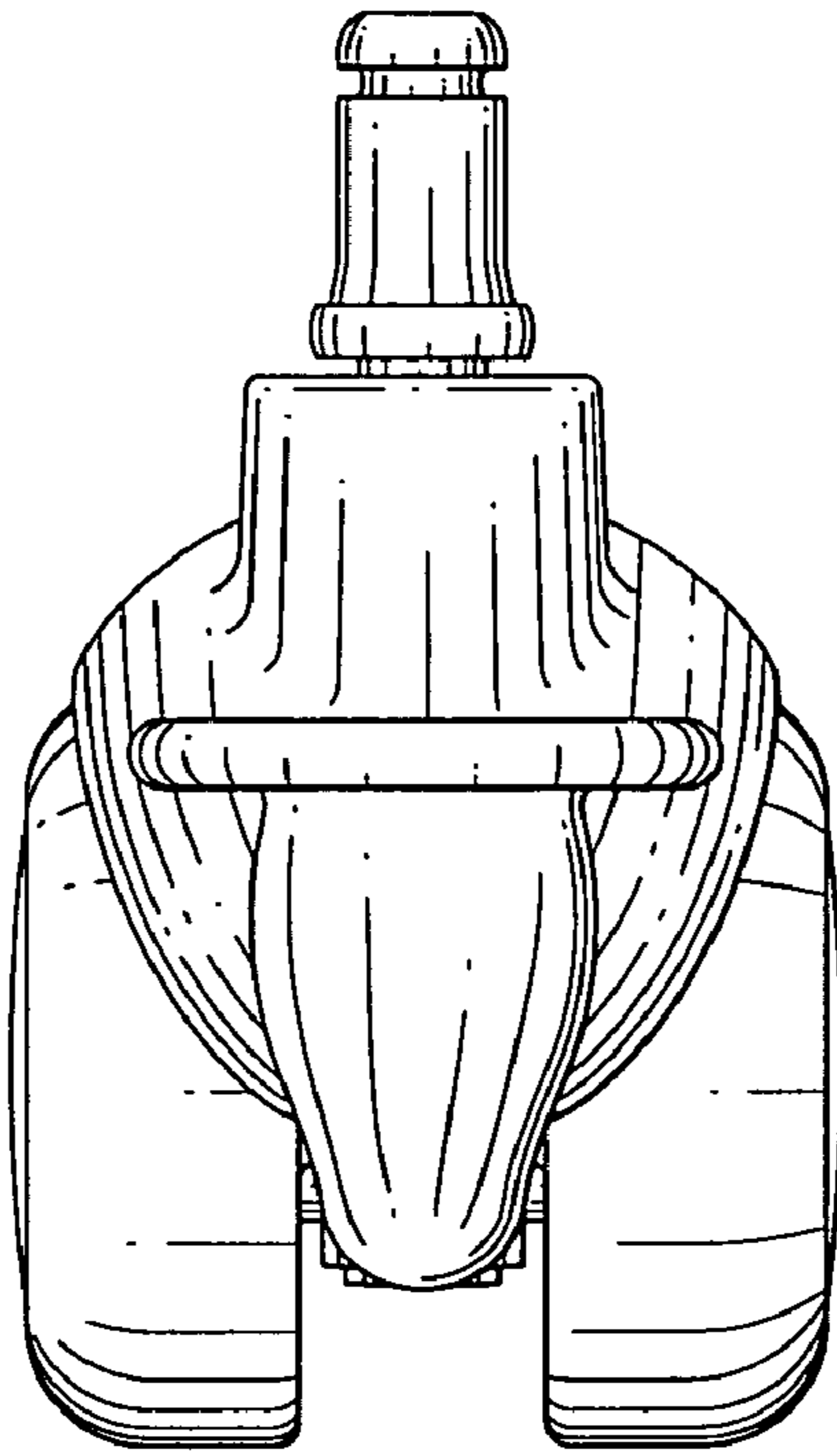


FIG. 9

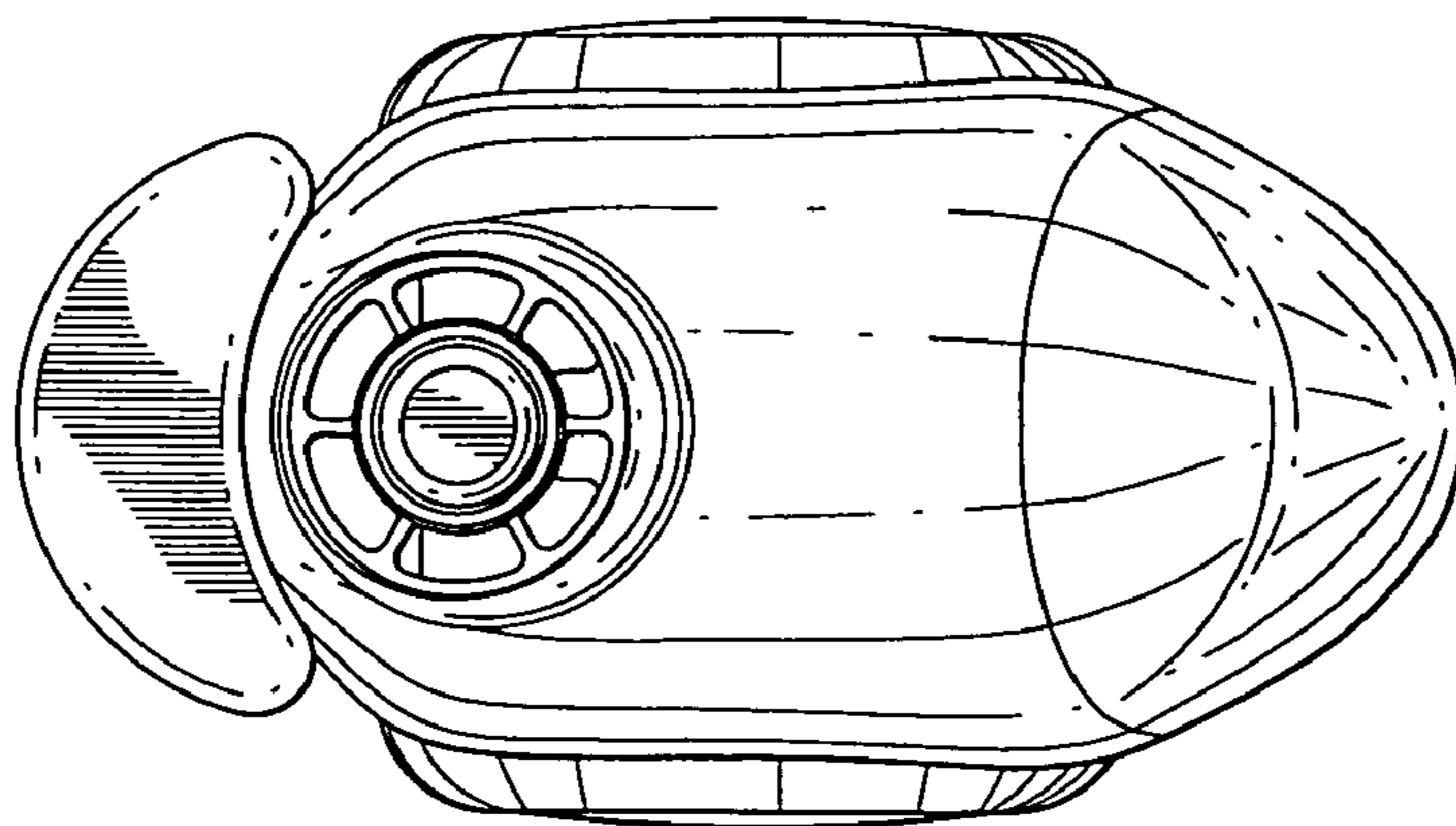


FIG. 10