



US00D547635S

(12) **United States Design Patent** (10) **Patent No.:** **US D547,635 S**
Vito (45) **Date of Patent:** **** Jul. 31, 2007**

(54) **SHACKLE**

(75) Inventor: **Robert A. Vito**, Berwyn, PA (US)

(73) Assignee: **Unbreakable Company**, Berwyn, PA (US)

(**) Term: **14 Years**

(21) Appl. No.: **29/210,985**

(22) Filed: **Aug. 10, 2004**

(51) **LOC (8) Cl.** **08-07**

(52) **U.S. Cl.** **D8/343**

(58) **Field of Classification Search** D8/330-348;
70/20-26, 36 R, 38 A, 38 C, 51, 53, 431,
70/435, 18, 370

See application file for complete search history.

(56) **References Cited**

U.S. PATENT DOCUMENTS

228,656 A	6/1880	Loch	
1,522,851 A	1/1925	Wright	
1,690,041 A	10/1928	Sundquist	
2,375,488 A	5/1945	Olson	
2,904,985 A	9/1959	Murphy	
3,626,729 A *	12/1971	Fane et al.	70/18
4,224,813 A	9/1980	Hampton	
D292,869 S	11/1987	Lebrecht	
4,829,795 A	5/1989	Taylor	
D491,044 S *	6/2004	Vito	D8/343
D524,145 S *	7/2006	Heppner	D8/343
D528,401 S *	9/2006	Ruan	D8/343
D528,402 S *	9/2006	Ruan	D8/343
D529,368 S *	10/2006	Ruan	D8/343
D529,369 S *	10/2006	Ruan	D8/343
D529,786 S *	10/2006	Heppner	D8/343
D533,764 S *	12/2006	Heppner	D8/343

* cited by examiner

Primary Examiner—Mitchell Siegel

(74) *Attorney, Agent, or Firm*—Volpe and Koenig, PC

(57) **CLAIM**

I claim a new ornamental design for a shackle, as shown and described.

DESCRIPTION

FIG. 1 is a perspective view of a shackle according to my new design;

FIG. 2 is another perspective view of the shackle of FIG. 1;

FIG. 3 is a front elevational view of the shackle of FIG. 1;

FIG. 4 is a top plan view of the shackle of FIG. 1;

FIG. 5 is a left side elevational view of the shackle of FIG. 1;

FIG. 6 is a right side elevational view of the shackle of FIG. 1;

FIG. 7 is a rear elevational view of the shackle of FIG. 1;

FIG. 8 is bottom plan view of the shackle of FIG. 1;

FIG. 9 is a perspective view of a second embodiment of the shackle according to my new design;

FIG. 10 is another perspective view of the shackle of FIG. 9;

FIG. 11 is a front elevational view of the shackle of FIG. 9;

FIG. 12 is a top plan view of the shackle of FIG. 9;

FIG. 13 is a left side elevational view of the shackle of FIG. 9;

FIG. 14 is a right side elevational view of the shackle of FIG. 9;

FIG. 15 is a rear elevational view of the shackle of FIG. 9; and,

FIG. 16 is bottom plan view of the shackle of FIG. 9.

The dashed lines in FIGS. 1-16 represent environment and are for illustrative purposes only and do not constitute part of the claimed design. The phantom lines in FIGS. 1-16 define the border between claimed and unclaimed matter.

1 Claim, 4 Drawing Sheets

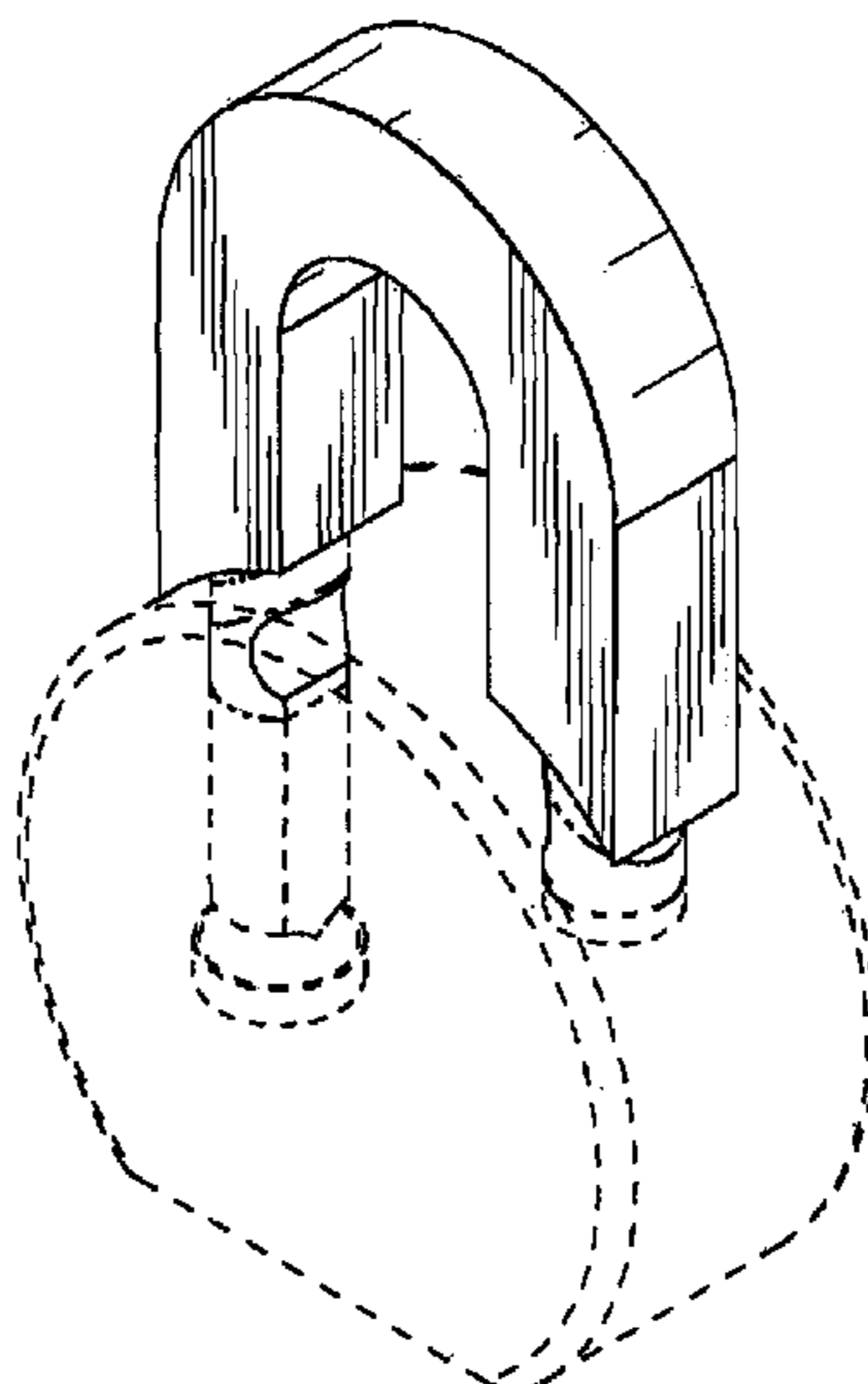


FIG. 1

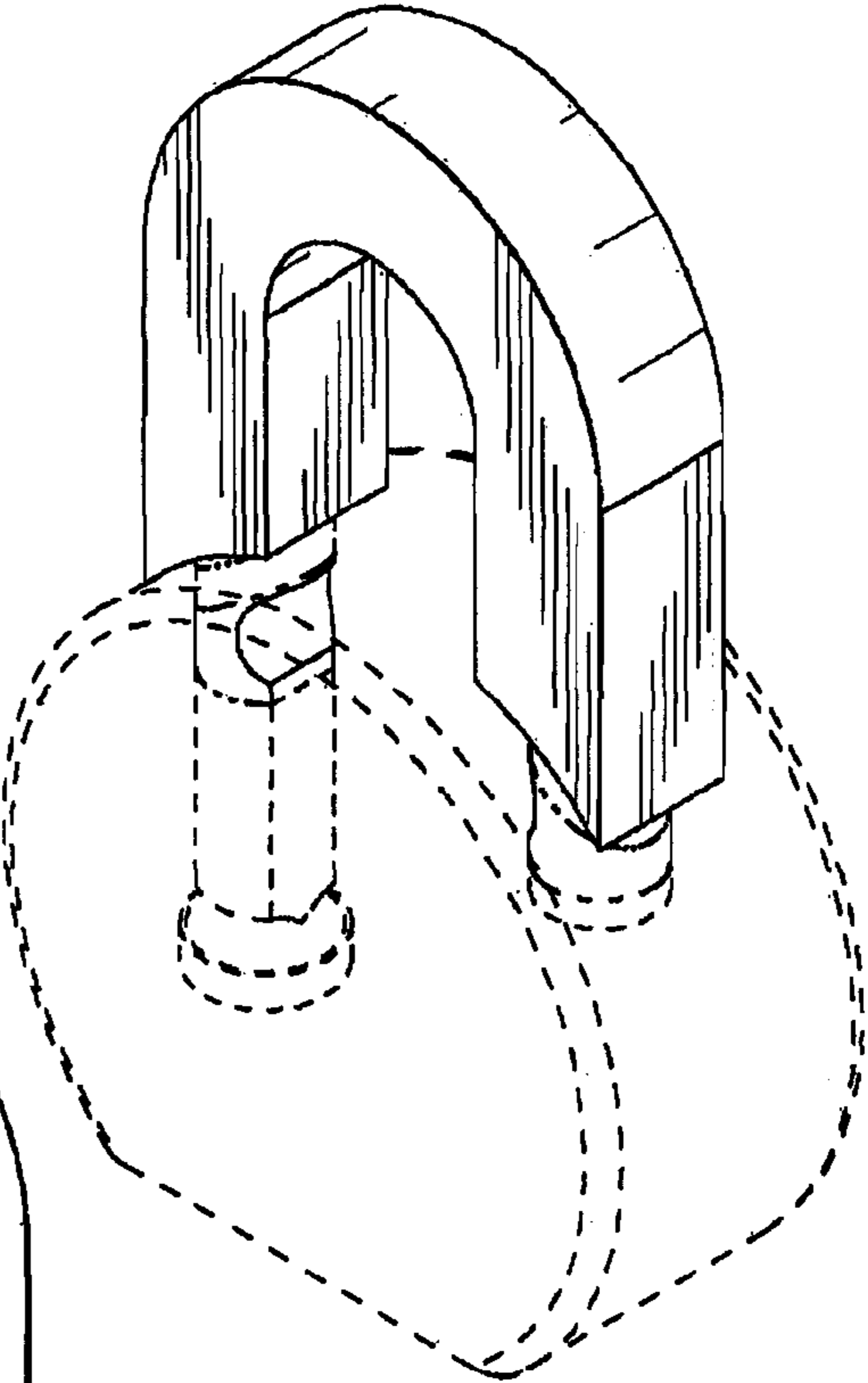


FIG. 3

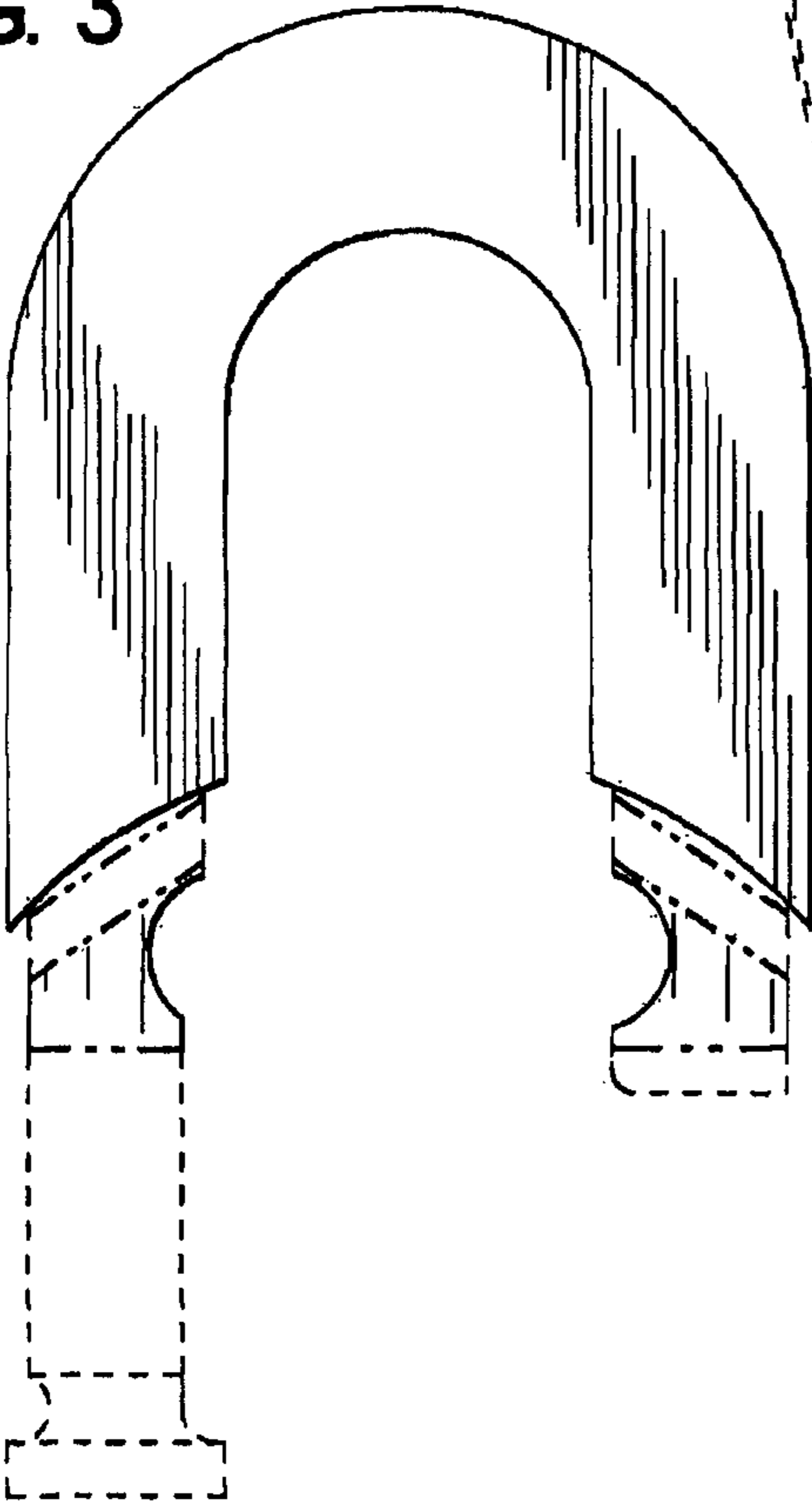


FIG. 2

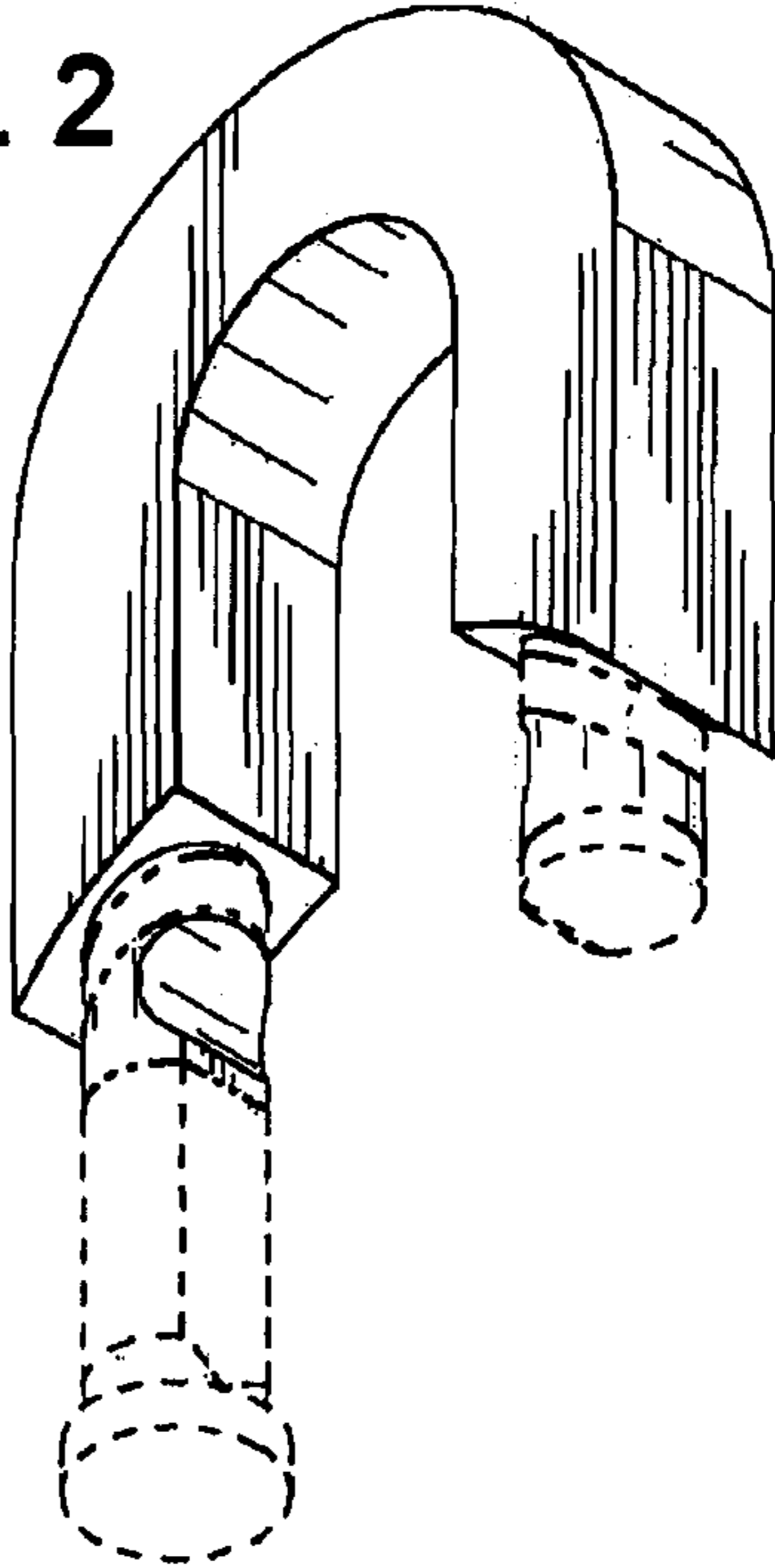
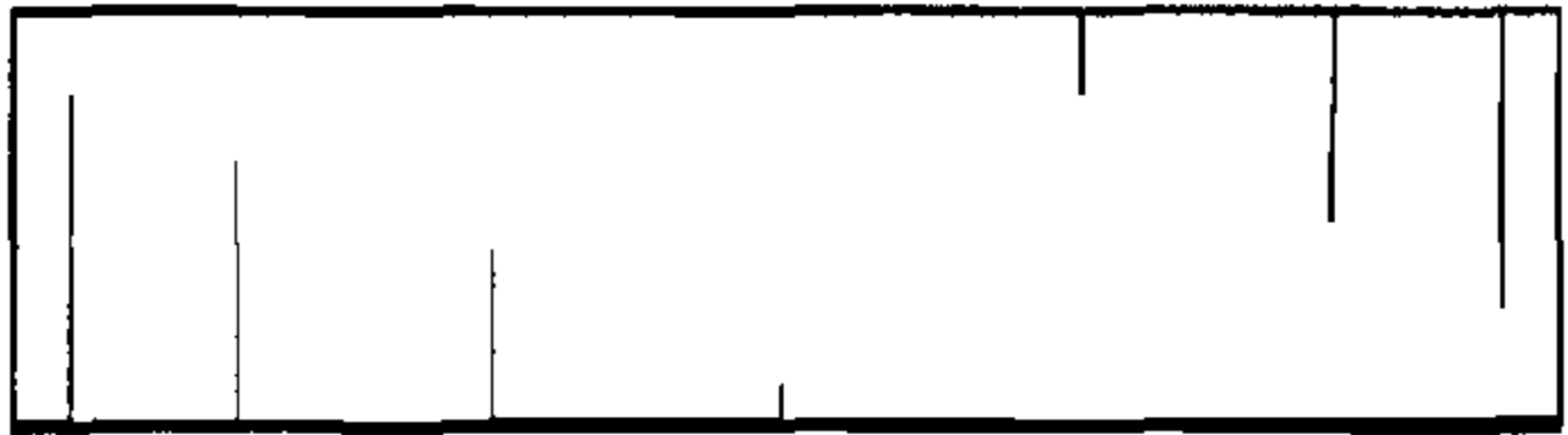


FIG. 4



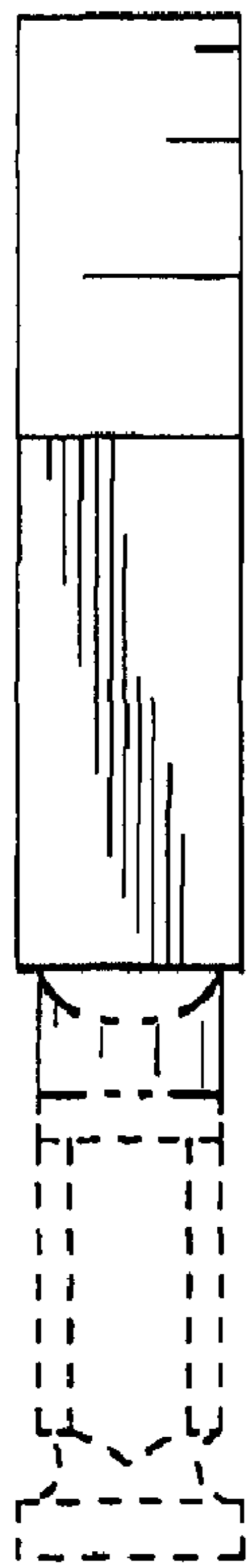


FIG. 5

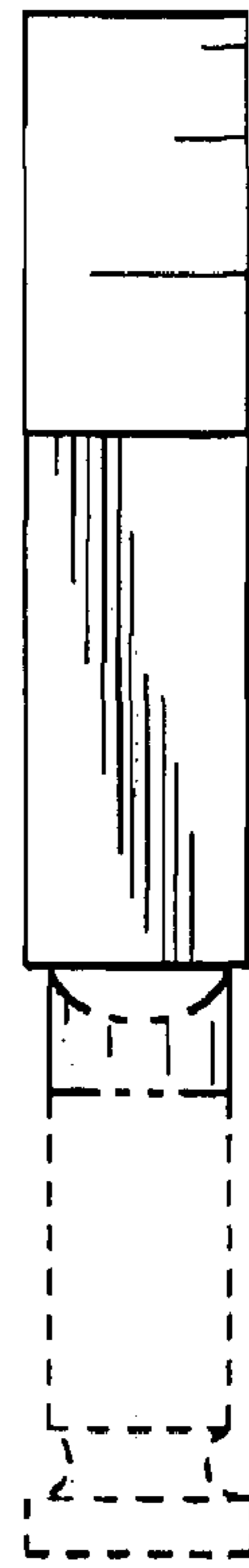


FIG. 6

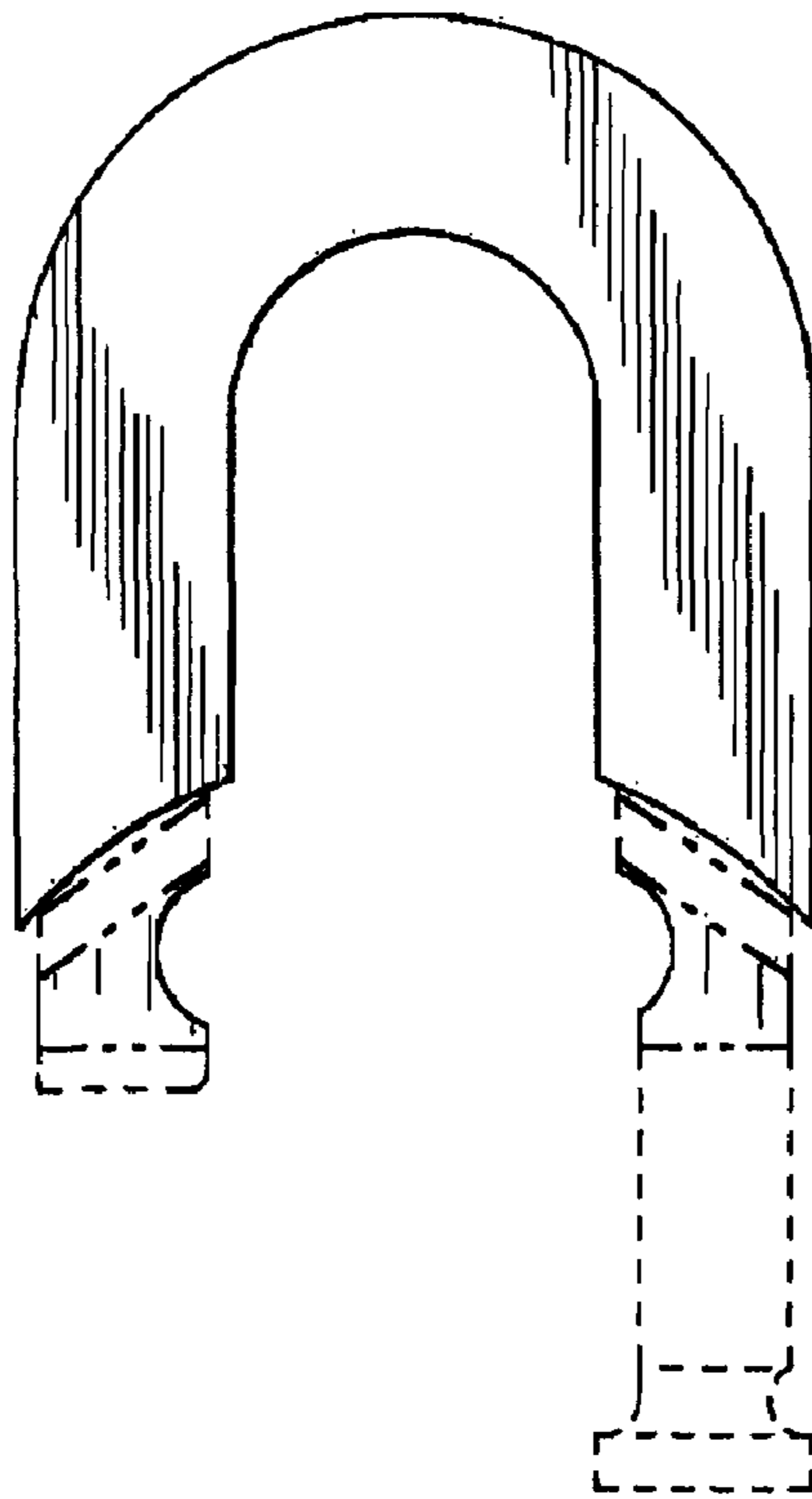


FIG. 7

FIG. 8

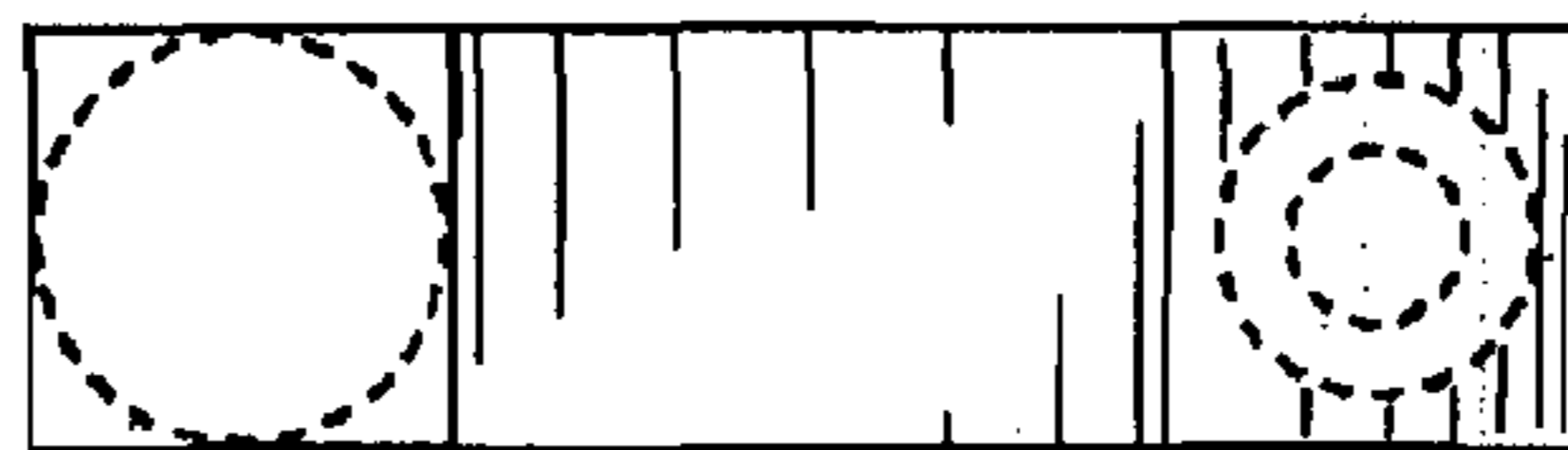


FIG. 9

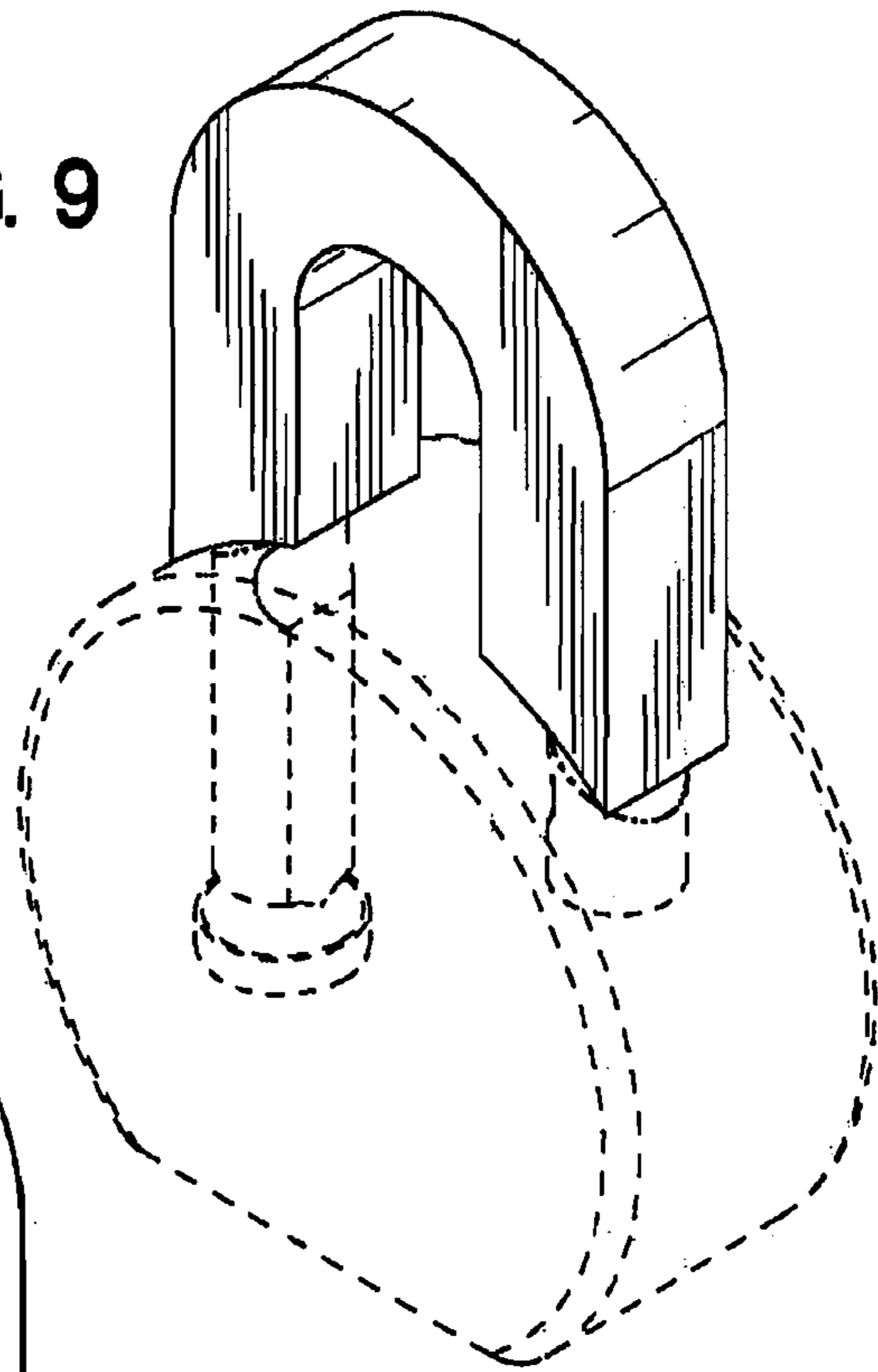


FIG. 11

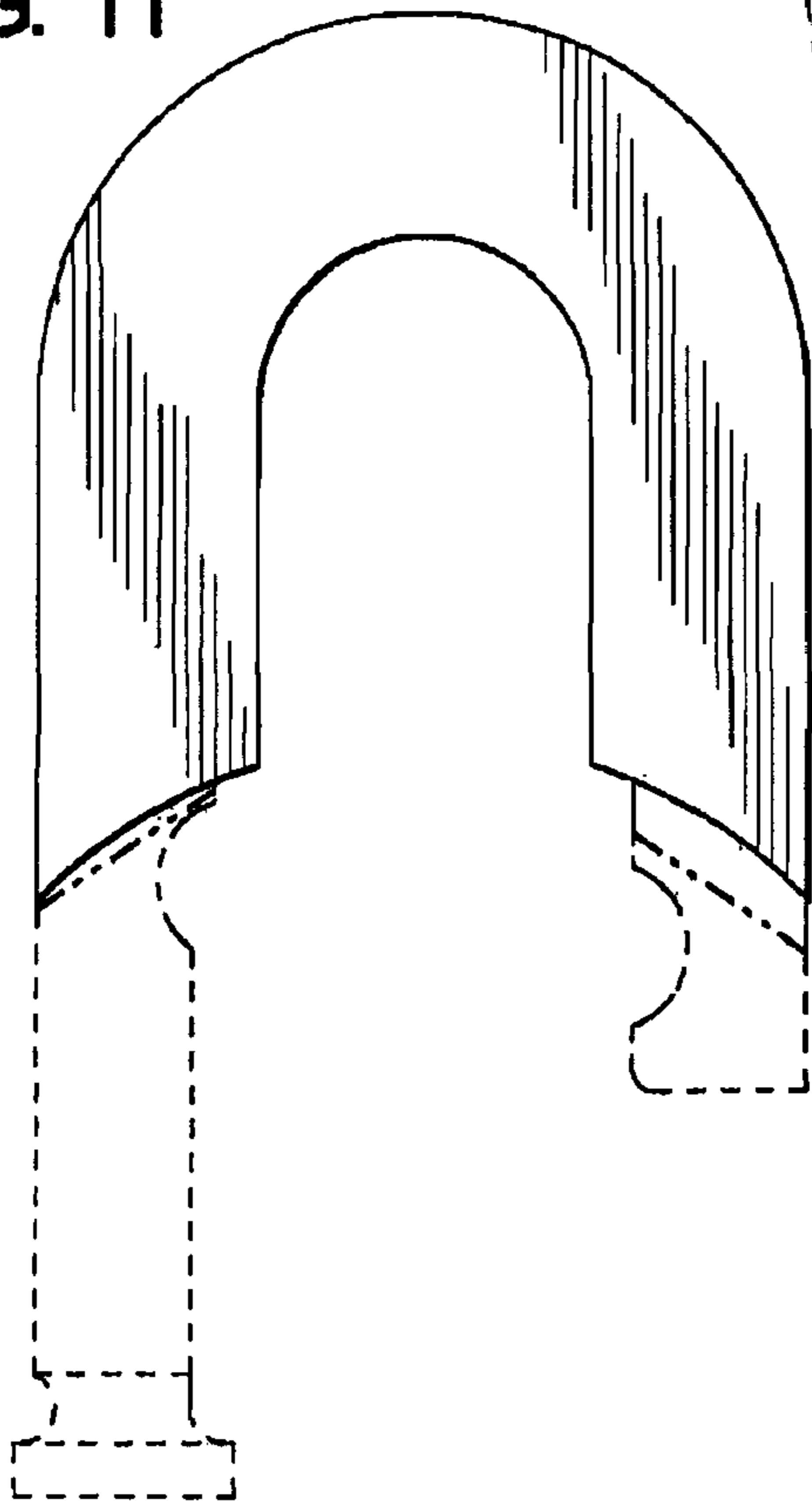


FIG. 10

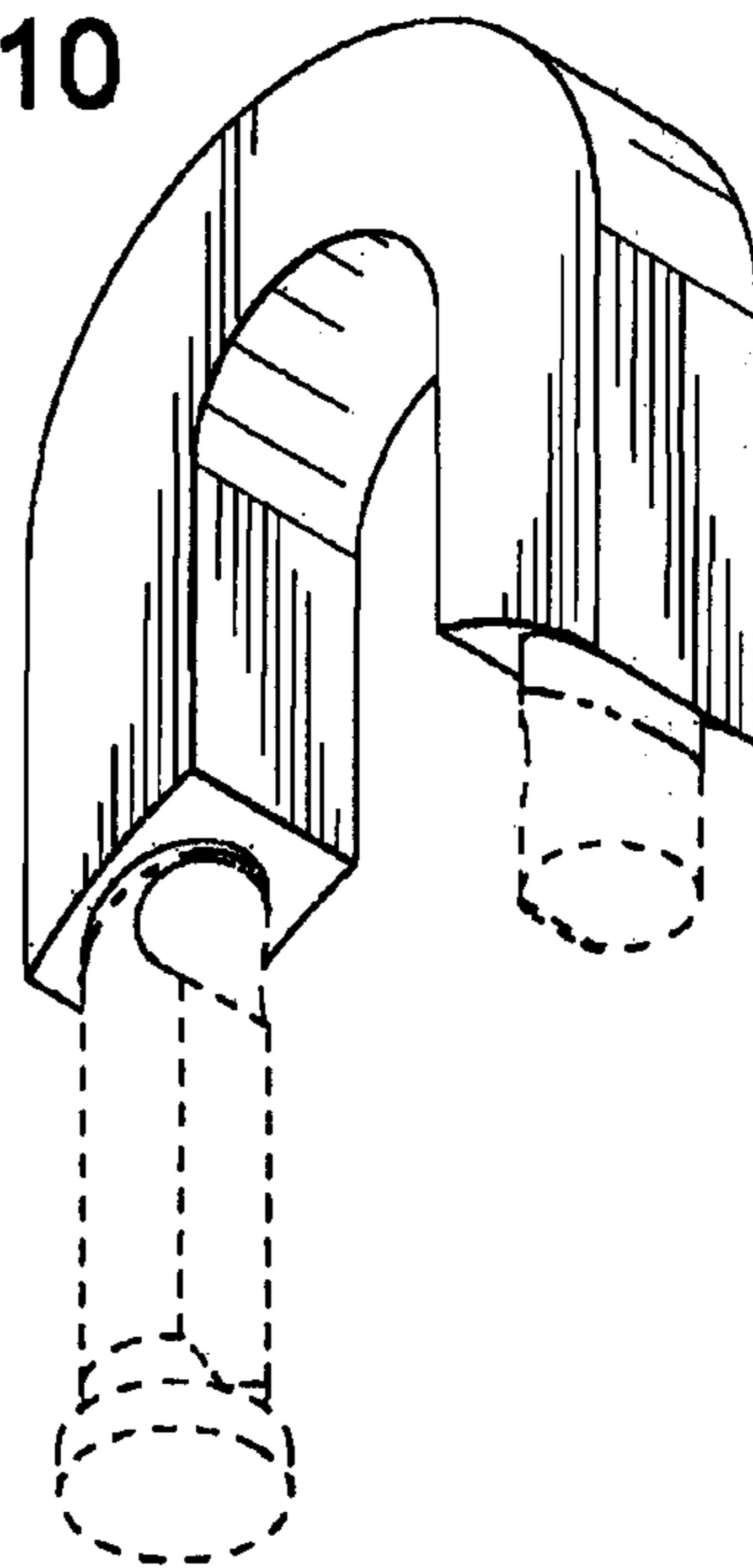


FIG. 12



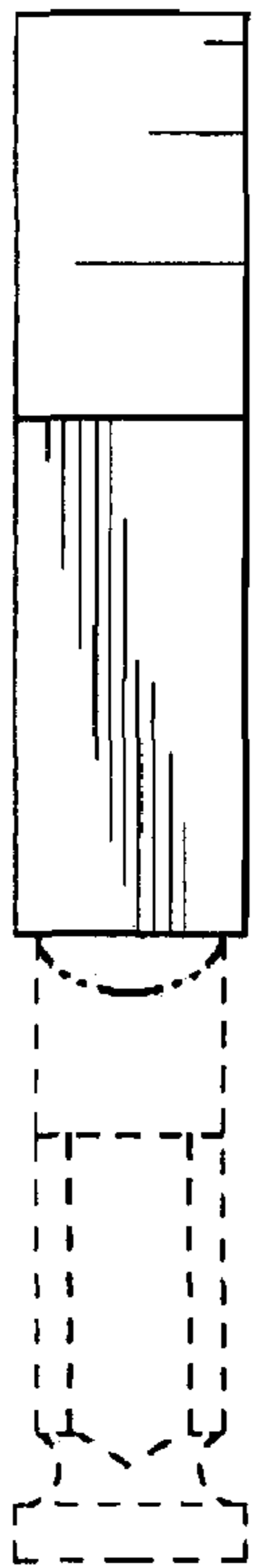


FIG. 13

FIG. 14

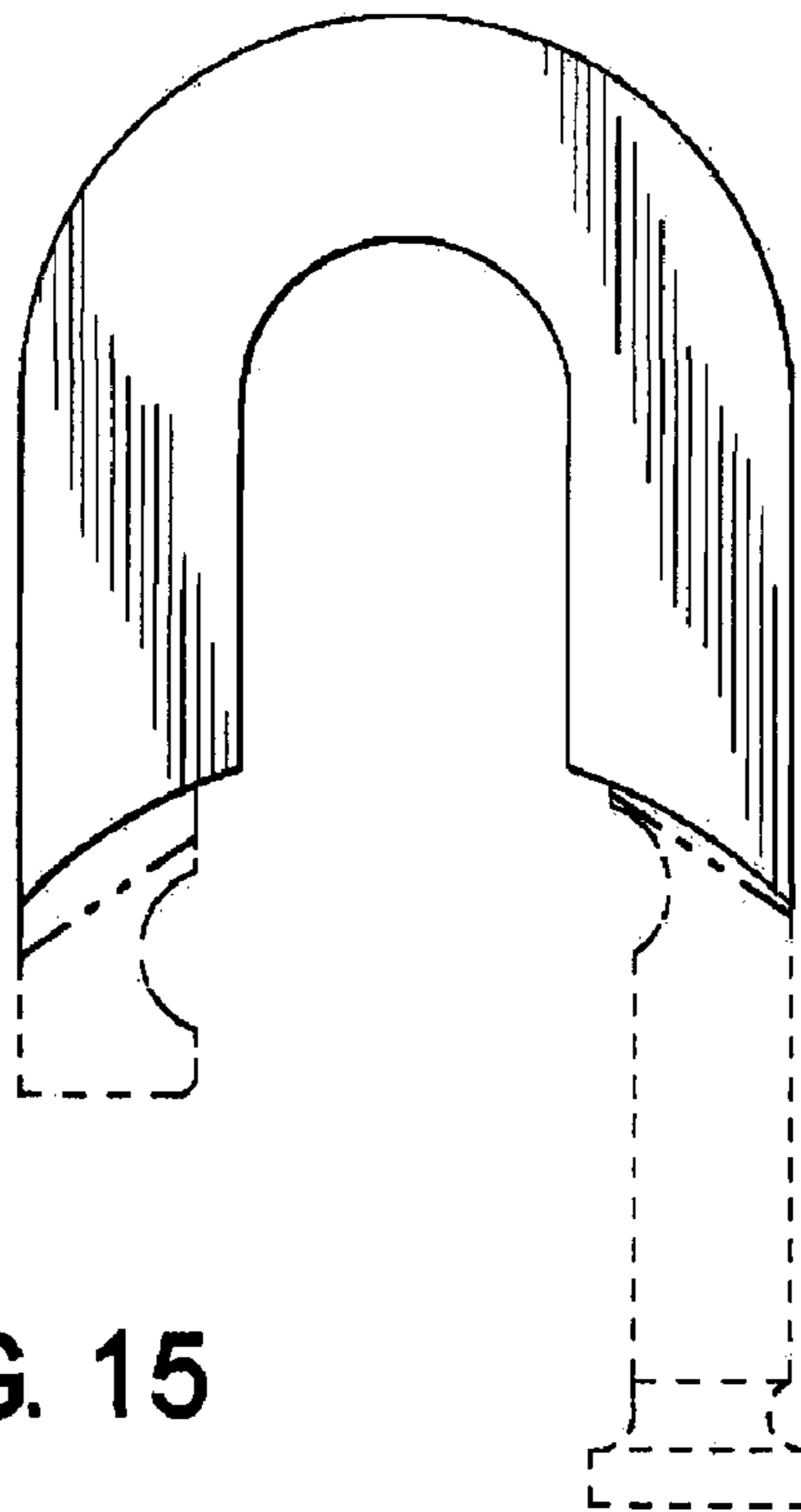
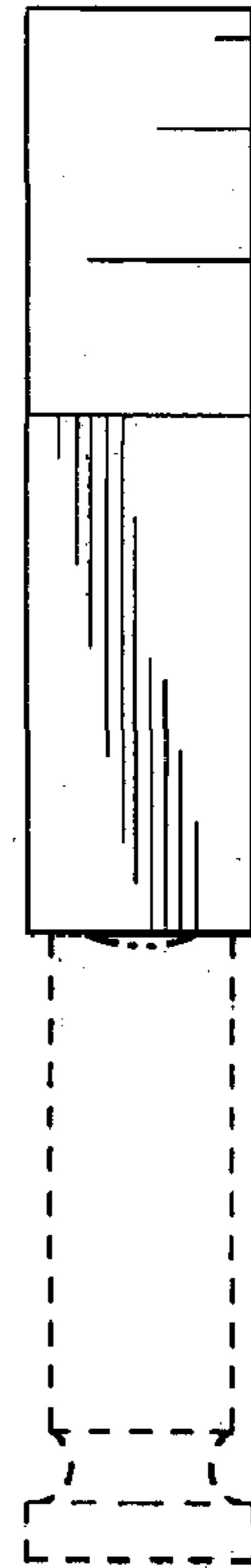


FIG. 15

FIG. 16

