



US00D547634S

(12) **United States Design Patent**  
**Reithmeyer**

(10) **Patent No.:** **US D547,634 S**

(45) **Date of Patent:** **\*\* Jul. 31, 2007**

(54) **HINGED DOOR HANDLE ASSEMBLY**

(75) Inventor: **Joseph G. Reithmeyer**, Afton, MN  
(US)

(73) Assignee: **Andersen Corporation**, Bayport, MN  
(US)

(\*\*) Term: **14 Years**

(21) Appl. No.: **29/259,441**

(22) Filed: **May 9, 2006**

(51) **LOC (8) Cl.** ..... **08-06**

(52) **U.S. Cl.** ..... **D8/301**

(58) **Field of Classification Search** ..... D8/300,  
D8/301, 302, 348, 352, 353, 357; 16/110.1,  
16/412, 418, 438, 445; 292/336.3, 348, 356,  
292/357, 347, DIG. 53, DIG. 61; 403/70,  
403/150, 157

See application file for complete search history.

(56) **References Cited**

**U.S. PATENT DOCUMENTS**

2,190,951	A *	2/1940	Roach	.....	292/348
D261,726	S *	11/1981	Valli	.....	D8/301
D314,129	S *	1/1991	Zanini	.....	D8/301
D320,334	S	10/1991	Clancy		
D340,179	S	10/1993	Mirick et al.		
D340,398	S	10/1993	Clancy		
D384,266	S	9/1997	Mantarakis et al.		
5,718,468	A *	2/1998	Qureshi et al.	.....	292/347
D423,321	S	4/2000	Maier		
D423,902	S *	5/2000	Libby et al.	.....	D8/301
D427,878	S	7/2000	Frey		

D431,994	S	10/2000	Libby et al.		
D433,916	S	11/2000	Frey		
D448,647	S	10/2001	Goldsbury		
D452,130	S	12/2001	Richardson		
6,386,602	B1 *	5/2002	Lan	.....	292/336.3
D467,784	S	12/2002	Maier		
D467,785	S	12/2002	Tsai		
6,502,435	B2	1/2003	Watts et al.		
D470,389	S	2/2003	Richardson		
6,641,186	B2	11/2003	Tsai		
2003/0141725	A1	7/2003	Tsai		

\* cited by examiner

*Primary Examiner*—Paula A. Greene

(74) *Attorney, Agent, or Firm*—Womble Carlyle Sandridge & Rice, PLLC

(57) **CLAIM**

The ornamental design for a hinged door handle assembly, as shown and described.

**DESCRIPTION**

FIG. 1 is a perspective view of a door handle assembly.

FIG. 2 is a front view thereof.

FIG. 3 is a rear view thereof.

FIG. 4 is a left side view thereof.

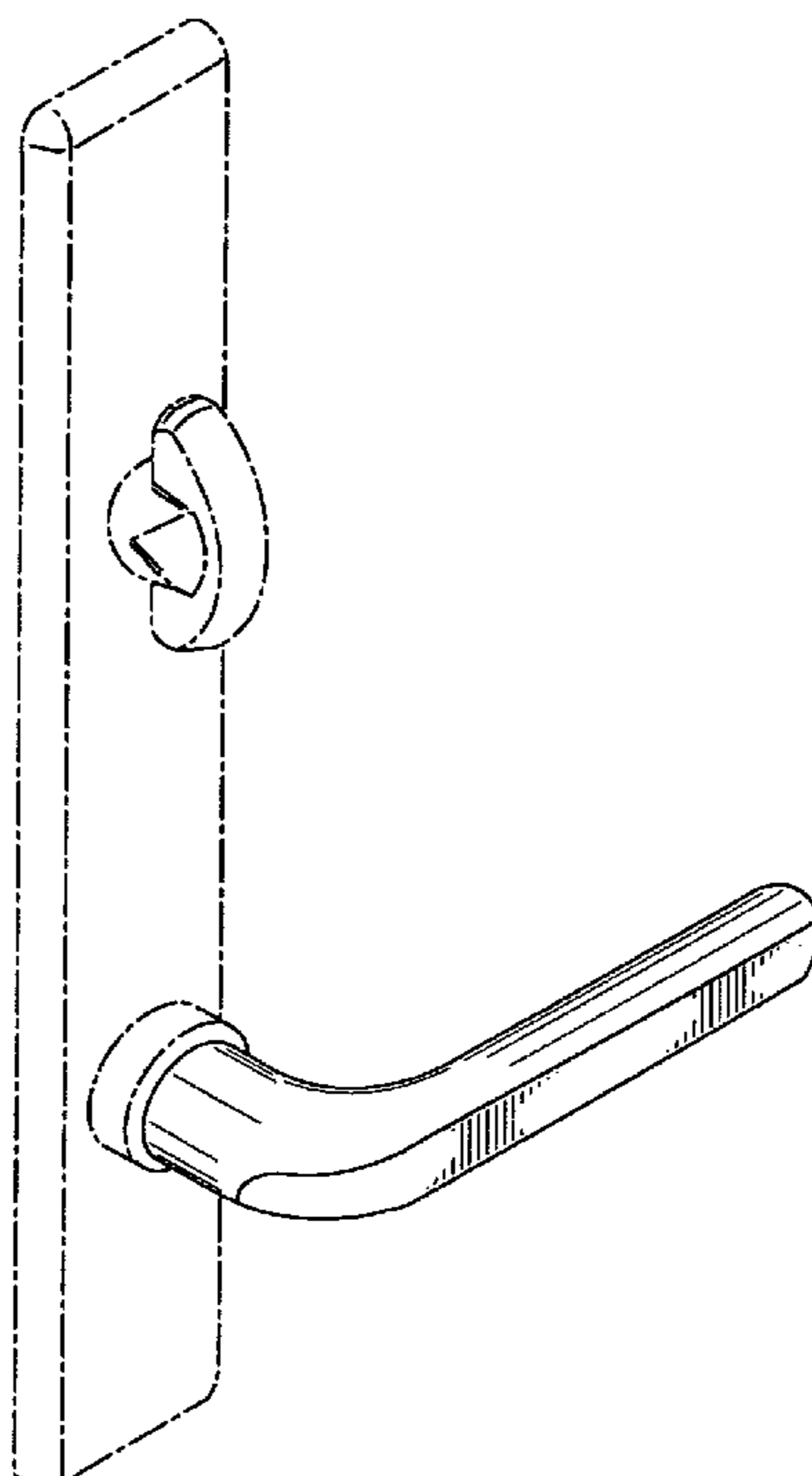
FIG. 5 is a right side view thereof.

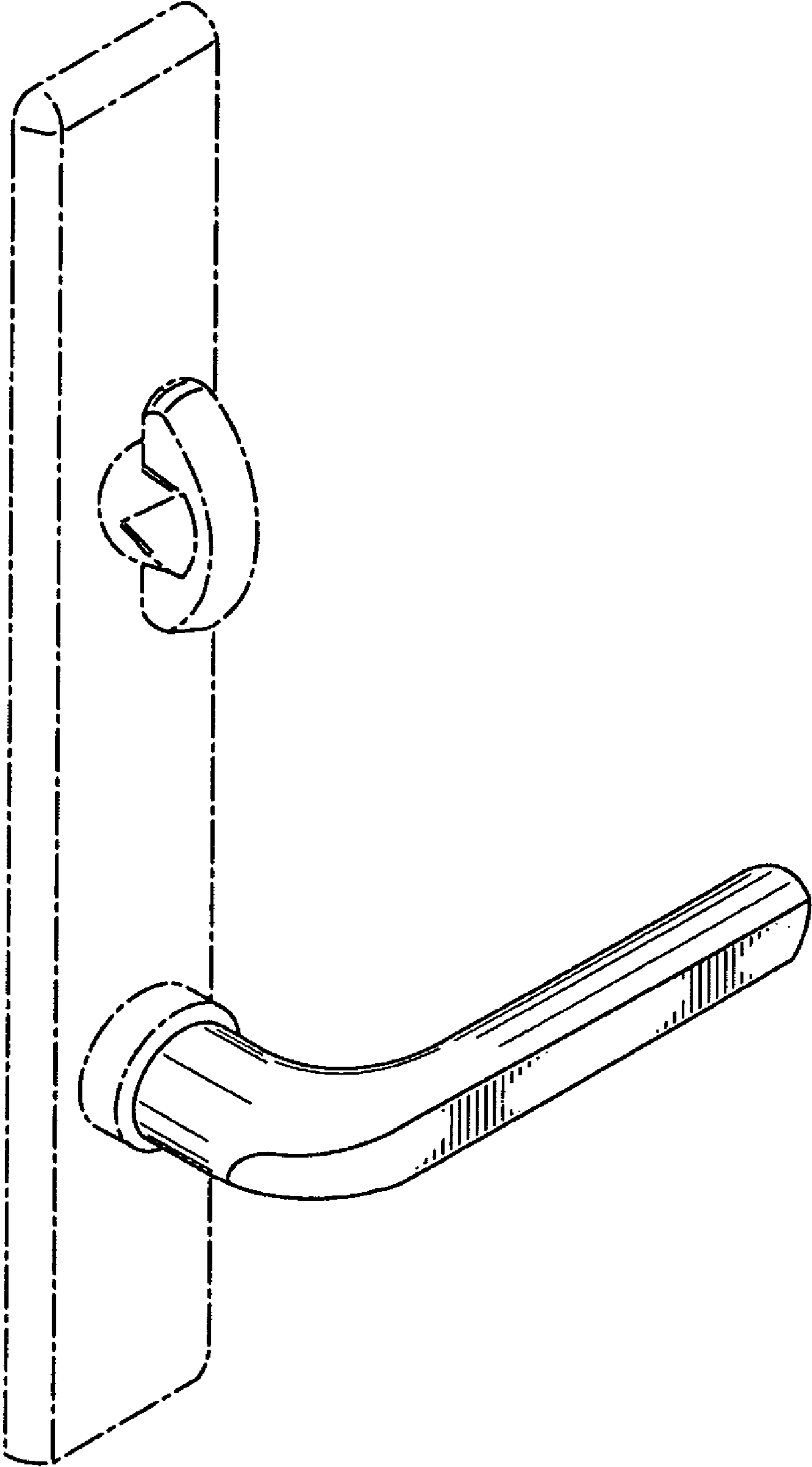
FIG. 6 is a top view thereof; and,

FIG. 7 is a bottom view thereof.

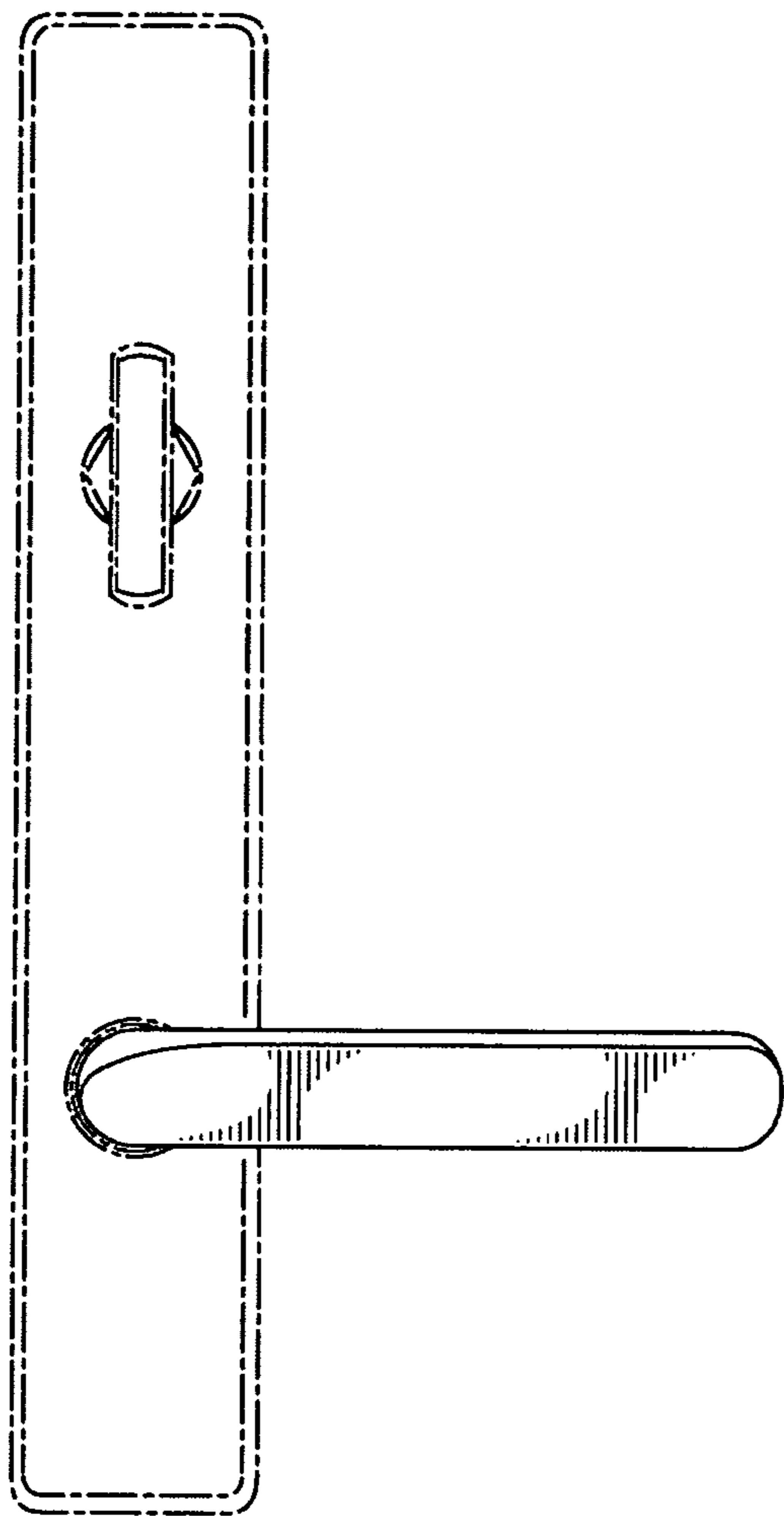
The broken lines are included for the purpose of illustration and form no part of the claimed design.

**1 Claim, 3 Drawing Sheets**

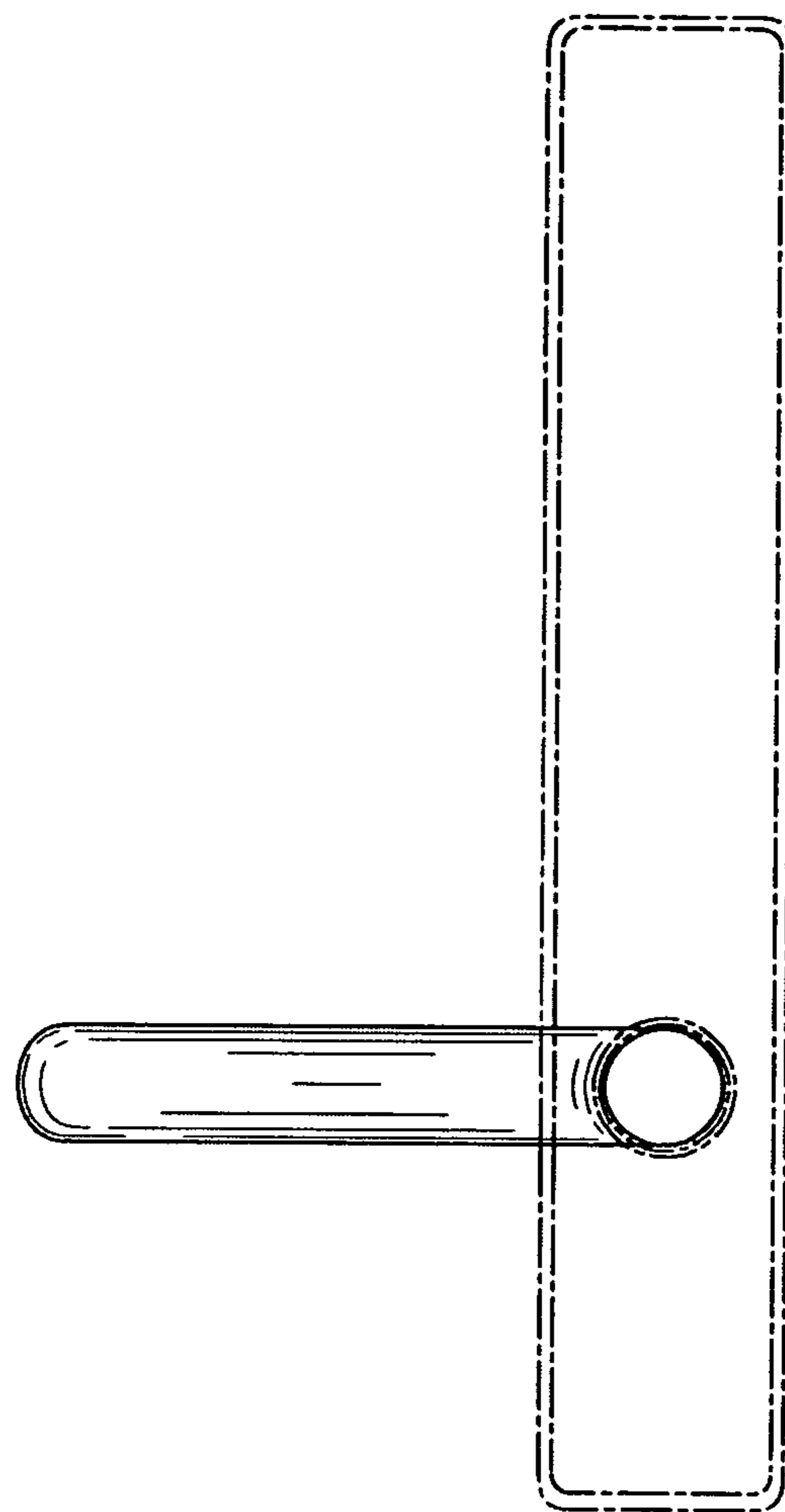




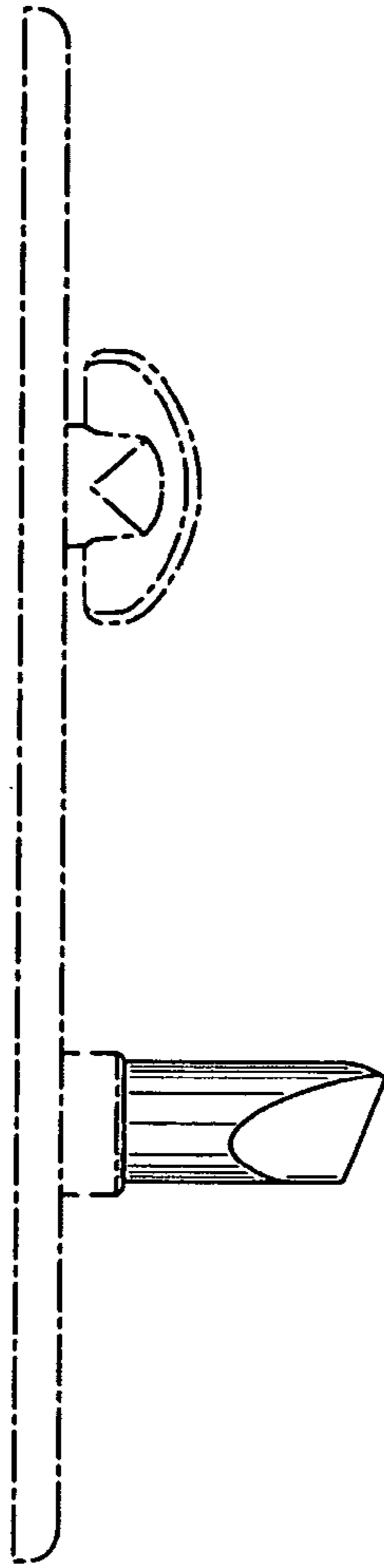
**Fig. 1**



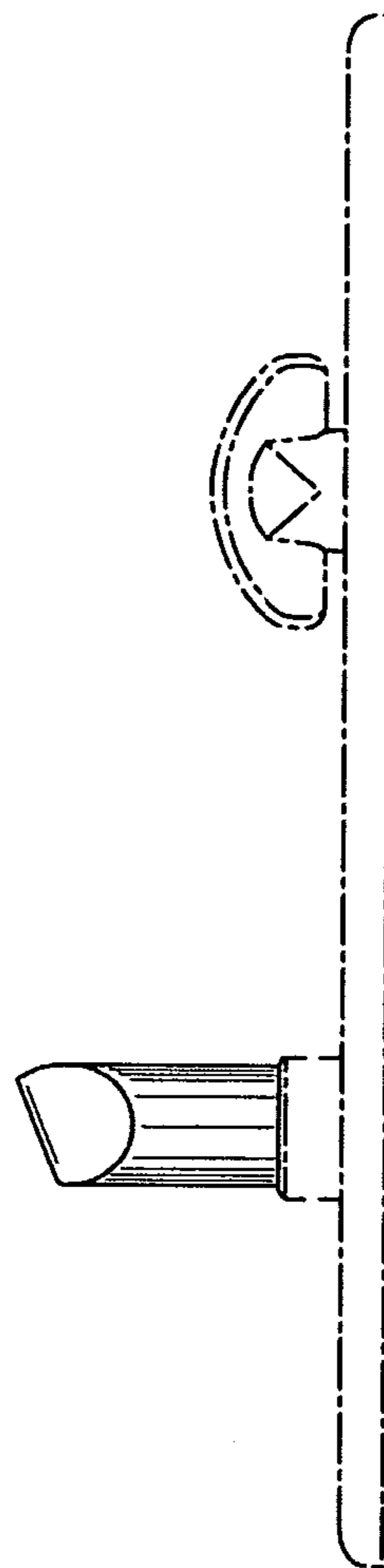
**Fig. 2**



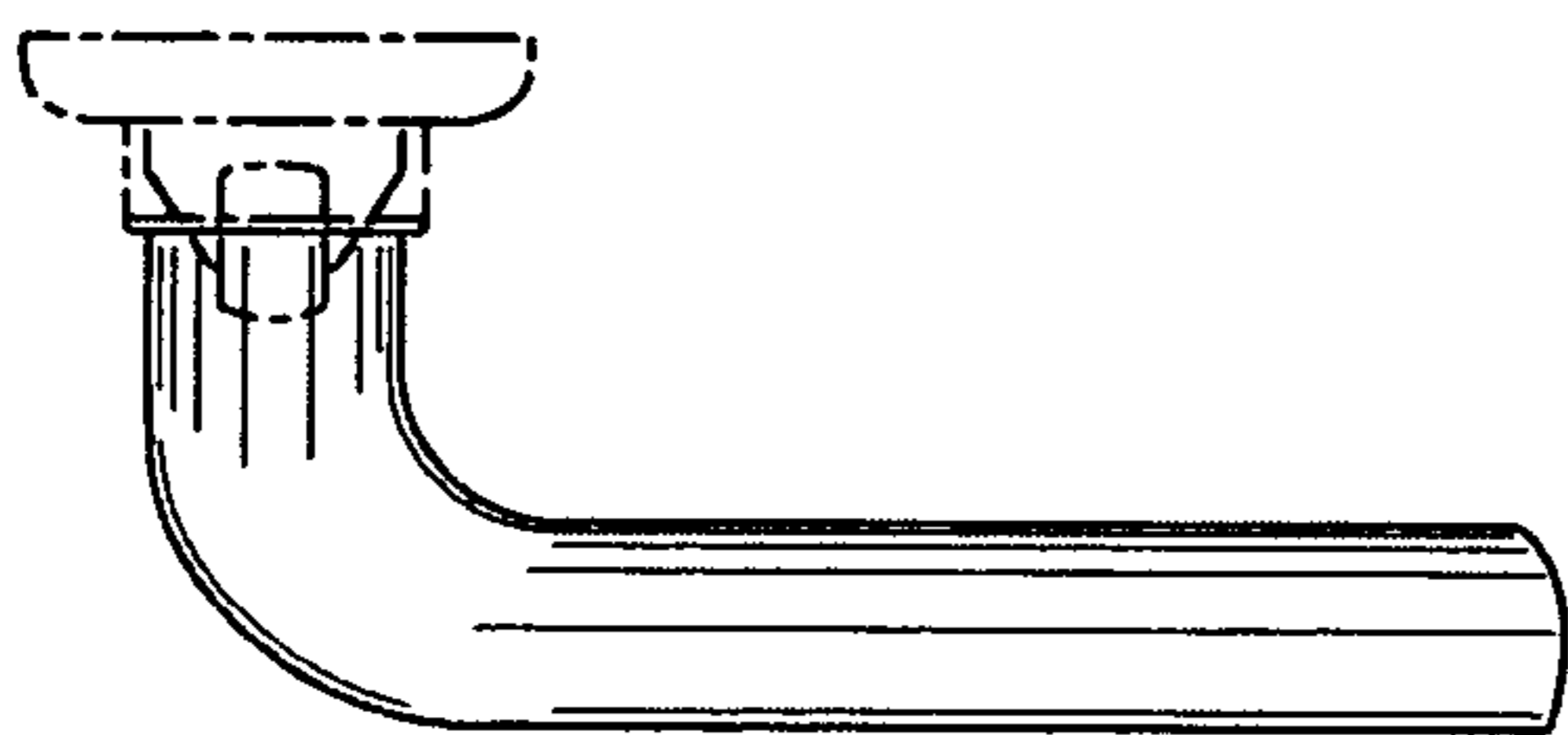
**Fig. 3**



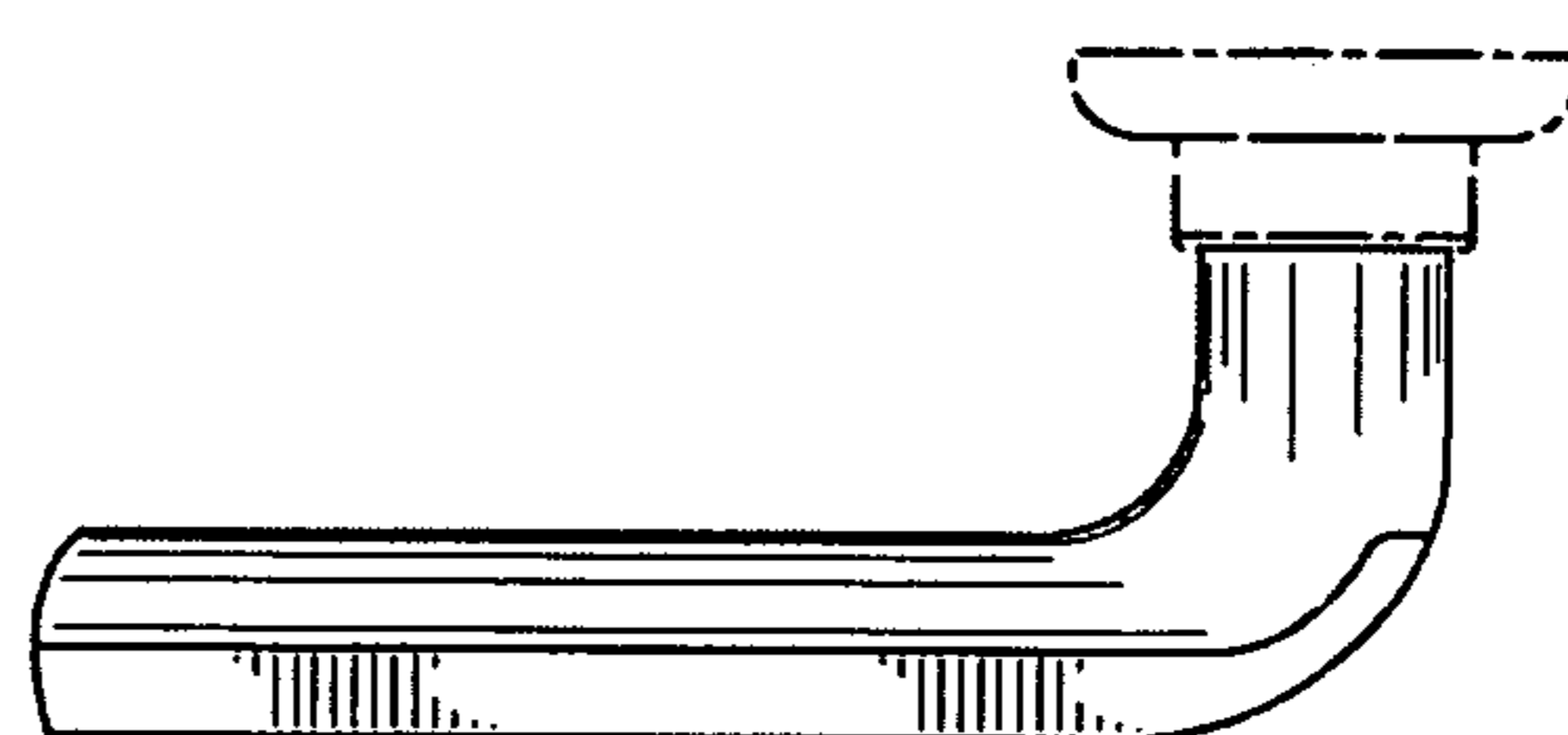
**Fig. 4**



**Fig. 5**



**Fig. 6**



**Fig. 7**