

US00D547632S

(12) **United States Design Patent**  
**Lee**

(10) **Patent No.:** **US D547,632 S**  
(45) **Date of Patent:** **\*\* Jul. 31, 2007**

(54) **ROTARY DRIVING TOOL**

(75) Inventor: **Timothy Lee, Kowloon (HK)**

(73) Assignee: **Winsource Industries Limited (CN)**

(\*\*) Term: **14 Years**

(21) Appl. No.: **29/264,515**

(22) Filed: **Aug. 11, 2006**

(51) **LOC (8) Cl.** ..... **08-05**

(52) **U.S. Cl.** ..... **D8/68**

(58) **Field of Classification Search** ..... D8/14.1,  
D8/61, 62, 63, 64, 65, 66, 67, 68, 69, 70;  
81/57.11, 429, 464, 465, 466, 469, 489; 173/13,  
173/104, 114, 168, 169, 170, 171, 178, 201,  
173/211, 213, 217; 408/20, 124, 125, 234,  
408/241 R; 451/358; 310/50; 227/8, 113,  
227/114, 120, 130, 136, 142  
See application file for complete search history.

(56) **References Cited**

**U.S. PATENT DOCUMENTS**

D154,713 S *	8/1949	Robillard	.....	D8/68
3,901,631 A *	8/1975	Wickham et al.	.....	D8/68
4,448,098 A *	5/1984	Totsu	.....	81/57.11
D275,445 S *	9/1984	Totsu	.....	D8/68
D301,968 S *	7/1989	Kmetz	.....	D8/68
D304,152 S *	10/1989	Kmetz	.....	D8/68

D418,730 S *	1/2000	Main	.....	D8/68
D468,610 S *	1/2003	Chien	.....	D8/68
D486,713 S *	2/2004	Lai	.....	D8/68
D502,854 S	3/2005	Ng	.....	
D516,889 S *	3/2006	Aglassinger	.....	D8/68
D520,835 S *	5/2006	Aglassinger	.....	D8/68
D524,133 S *	7/2006	Wu	.....	D8/68
D524,625 S *	7/2006	Wu	.....	D8/68
D527,236 S *	8/2006	Wu	.....	D8/68
2004/0251040 A1 *	12/2004	Chu	.....	173/217
2005/0194166 A1 *	9/2005	Chu	.....	173/217

\* cited by examiner

*Primary Examiner*—T. Chase Nelson

(74) *Attorney, Agent, or Firm*—Stephen D. Carver

(57) **CLAIM**

The ornamental design for a rotary driving tool, as shown.

**DESCRIPTION**

FIG. 1 is a right side elevational view of my rotary driving tool showing my new design;

FIG. 2 is a rear plan view thereof;

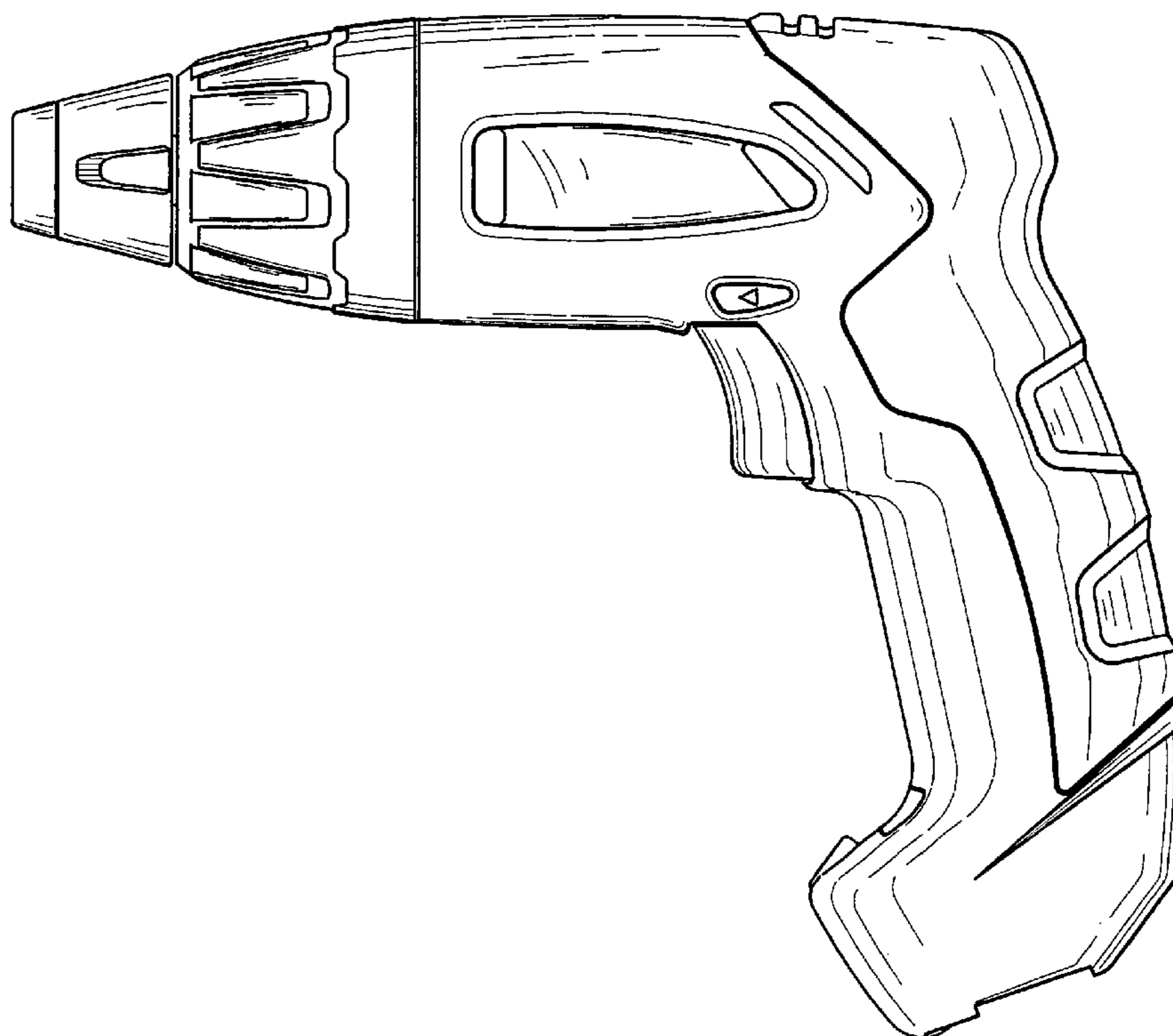
FIG. 3 is a front plan view thereof;

FIG. 4 is a top plan view thereof;

FIG. 5 is a bottom plan view thereof; and,

FIG. 6 is a left side elevational view thereof.

**1 Claim, 5 Drawing Sheets**



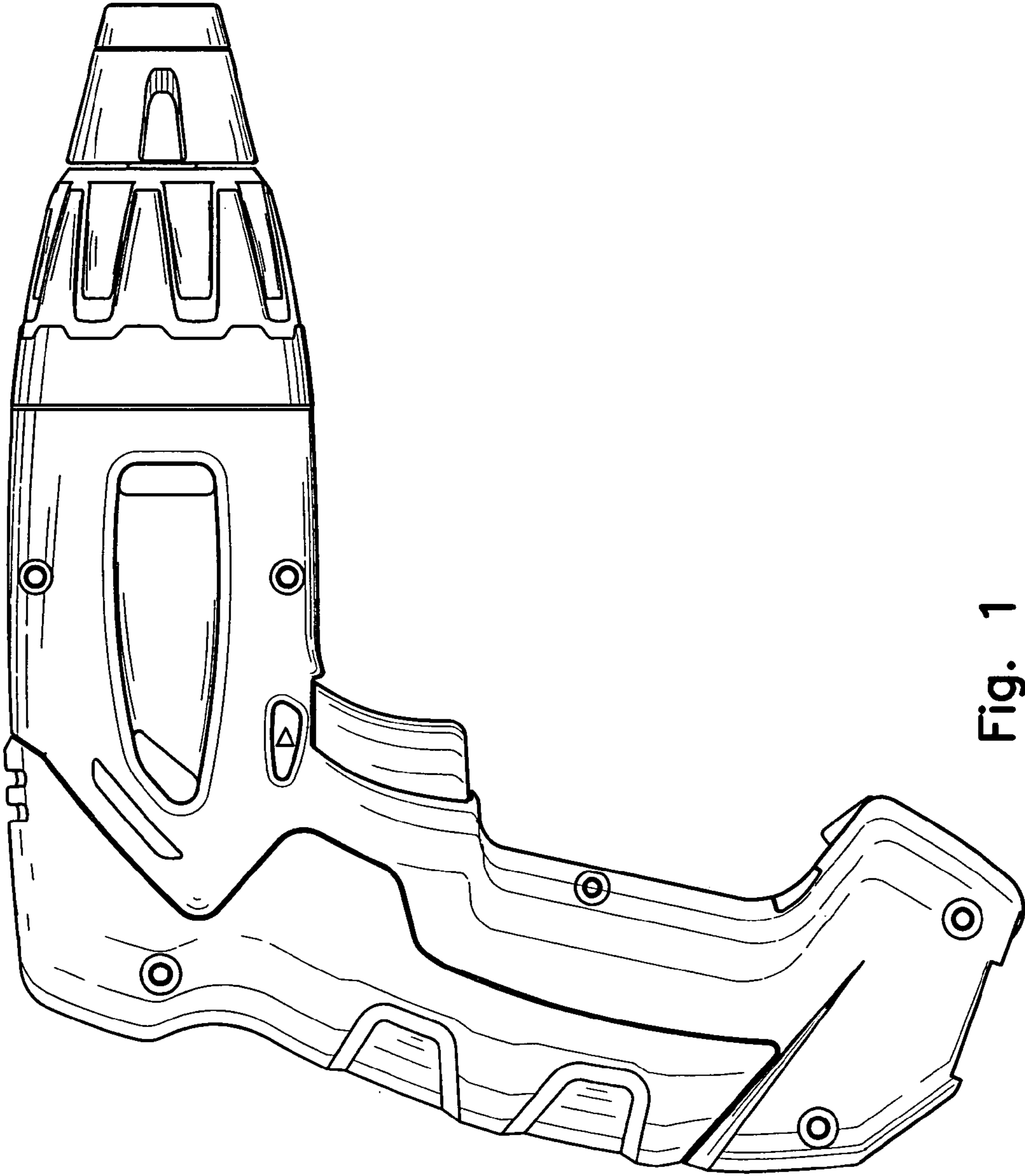


Fig. 1

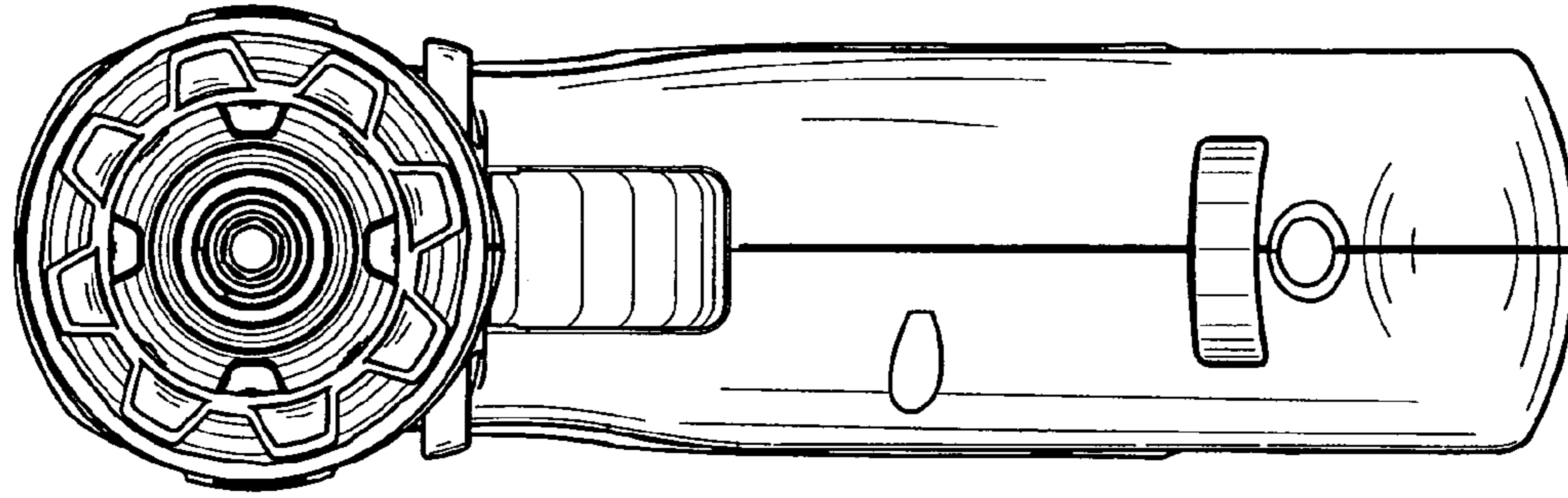


Fig. 3

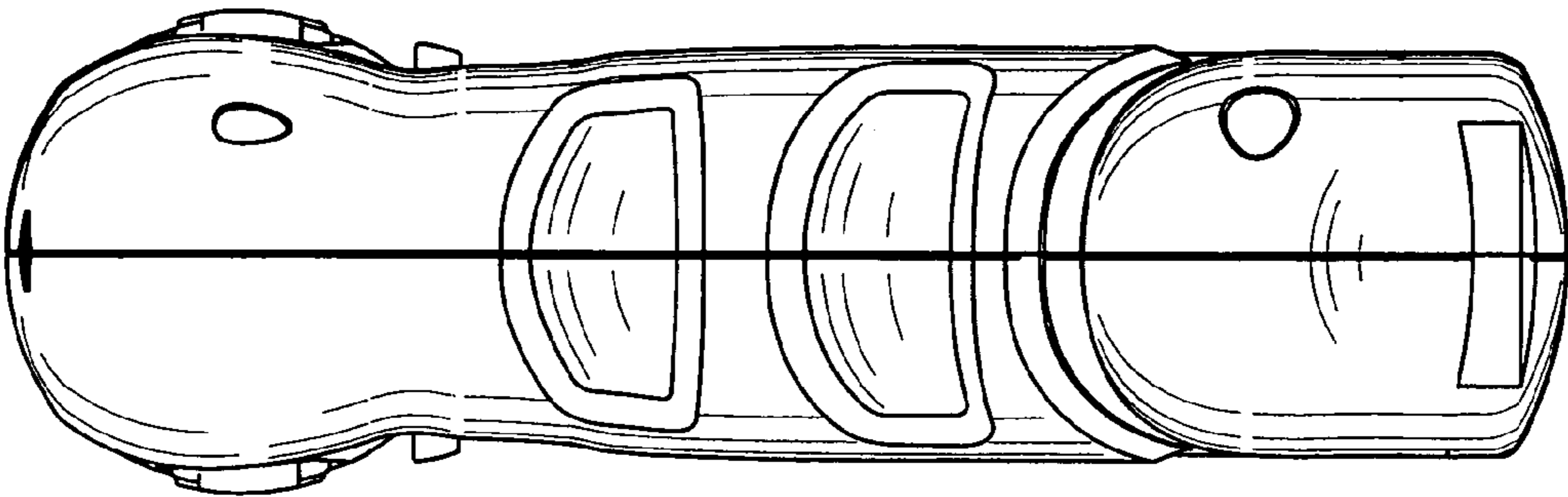


Fig. 2

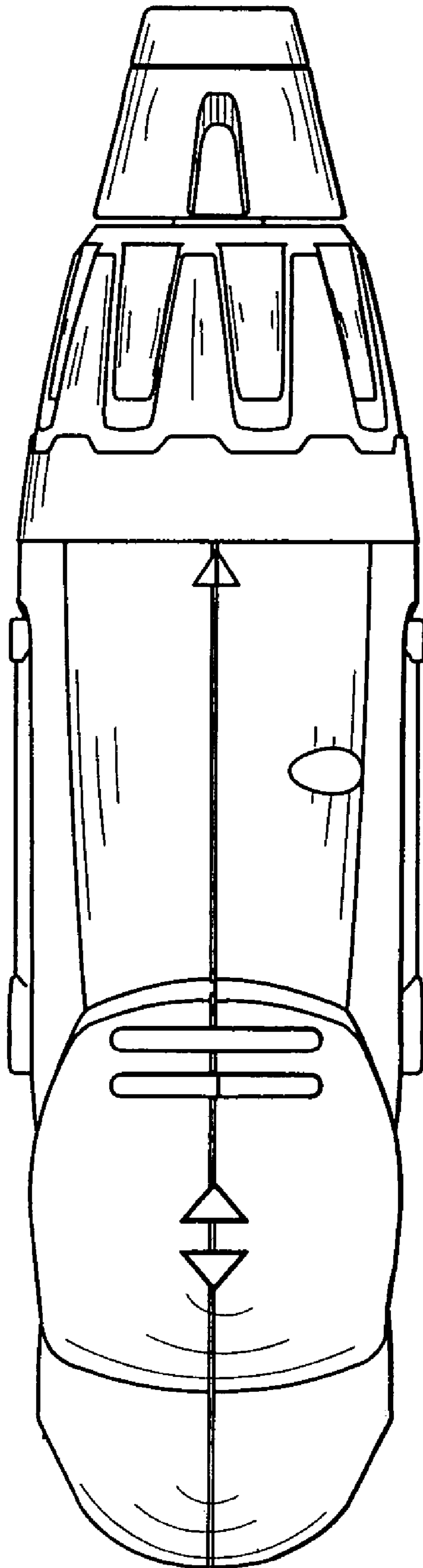


Fig. 4

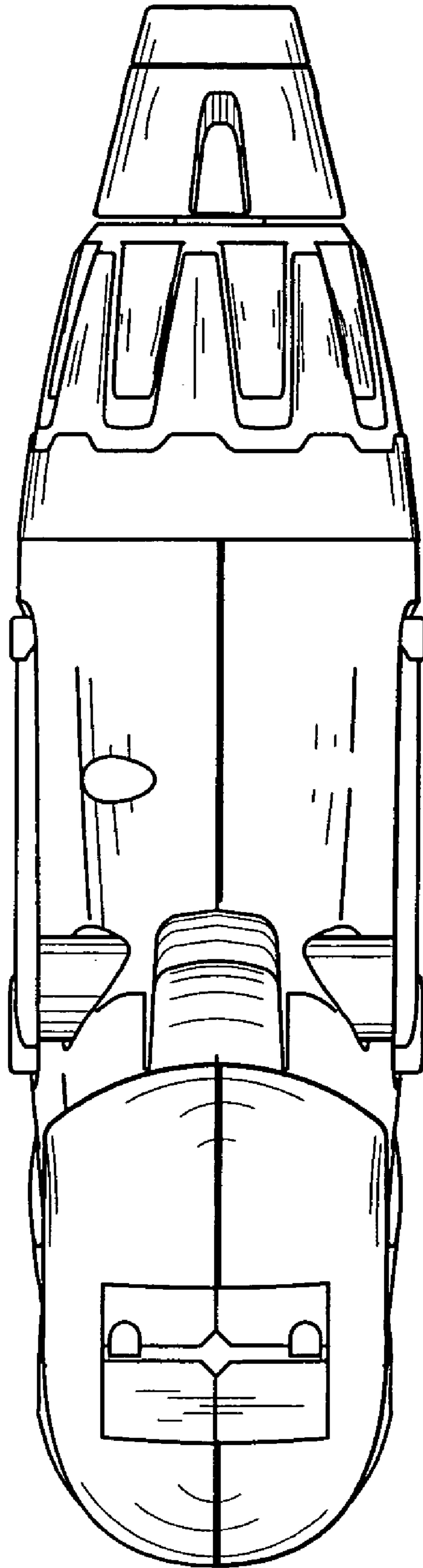


Fig. 5

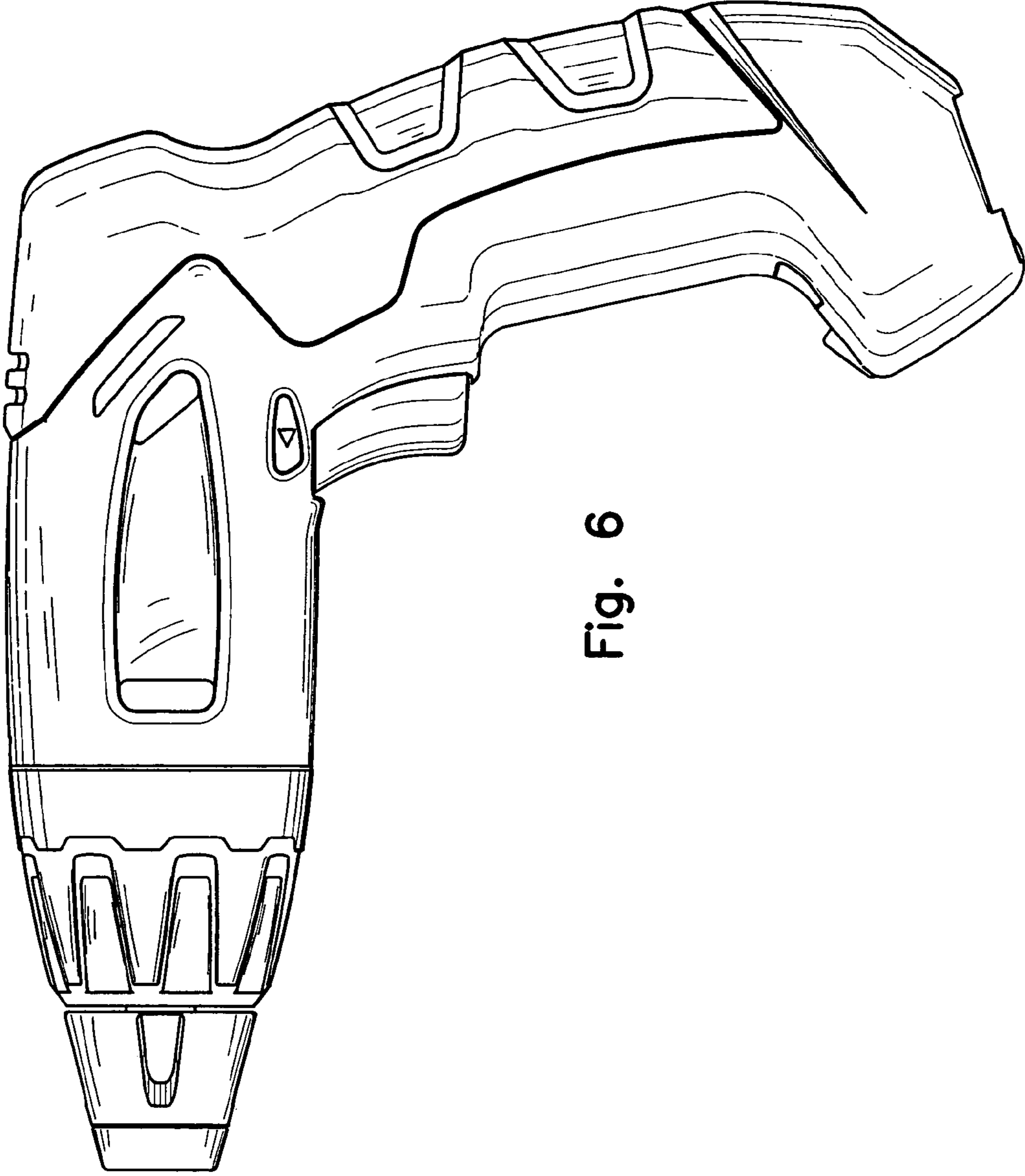


Fig. 6