

US00D547631S

(12) **United States Design Patent**
Schmid et al.

(10) **Patent No.:** **US D547,631 S**

(45) **Date of Patent:** **** Jul. 31, 2007**

(54) **CORDLESS SCREWDRIVER**

(75) Inventors: **Juergen R. Schmid**, Ammerbuch (DE);
Patricia Lorek, Frickenhausen (DE)

(73) Assignee: **Metabowerke GmbH**, Nuertingen (DE)

(**) Term: **14 Years**

(21) Appl. No.: **29/241,651**

(22) Filed: **Oct. 31, 2005**

(30) **Foreign Application Priority Data**

May 3, 2005 (EM) 000337852
May 3, 2005 (EM) 000337860

(51) **LOC (8) Cl.** **08-04**

(52) **U.S. Cl.** **D8/68**

(58) **Field of Classification Search** D8/14.1,
D8/61, 62, 63, 64, 65, 66, 67, 68, 69, 70;
81/57.11, 429, 464, 465, 466, 469, 489; 173/13,
173/104, 114, 168, 169, 170, 171, 178, 201,
173/211, 213, 217; 408/20, 124, 125, 234,
408/241 R; 451/358; 310/50; 227/8, 113,
227/114, 120, 130, 136, 142
See application file for complete search history.

(56) **References Cited**

U.S. PATENT DOCUMENTS

D136,743 S * 11/1943 Little D8/68
D150,531 S * 8/1948 Albertson D8/61

D278,971 S * 5/1985 Smith et al. D8/68
D325,857 S * 5/1992 Hasegawa et al. D8/61
D403,936 S * 1/1999 Somers D8/68
D462,593 S * 9/2002 Nottingham et al. D8/68
D469,324 S * 1/2003 Heun D8/68
D475,909 S * 6/2003 Waldron D8/68
D485,737 S * 1/2004 Schaub et al. D8/68
D502,854 S * 3/2005 Ng D8/68
D509,119 S * 9/2005 Schiller et al. D8/68
D524,133 S * 7/2006 Wu D8/68

* cited by examiner

Primary Examiner—T. Chase Nelson

(74) *Attorney, Agent, or Firm*—Paul Vincent

(57) **CLAIM**

The ornamental design for the cordless screwdriver, as shown.

DESCRIPTION

FIG. 1 shows a lower perspective view of the cordless screwdriver in accordance with the invention;

FIG. 2 shows a side view thereof;

FIG. 3 shows a side view, opposite that of FIG. 2, thereof;

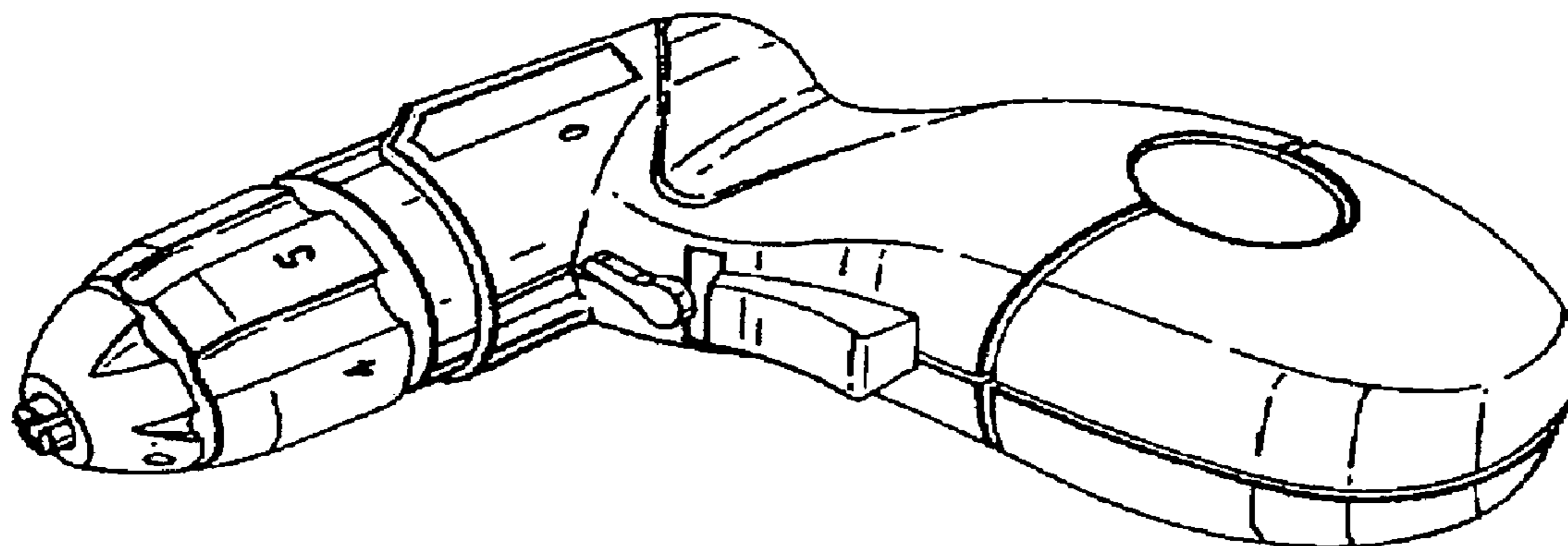
FIG. 4 shows a top perspective view thereof;

FIG. 5 shows a bottom perspective view thereof;

FIG. 6 shows a front lower perspective view thereof; and,

FIG. 7 shows a rear perspective view thereof.

1 Claim, 4 Drawing Sheets



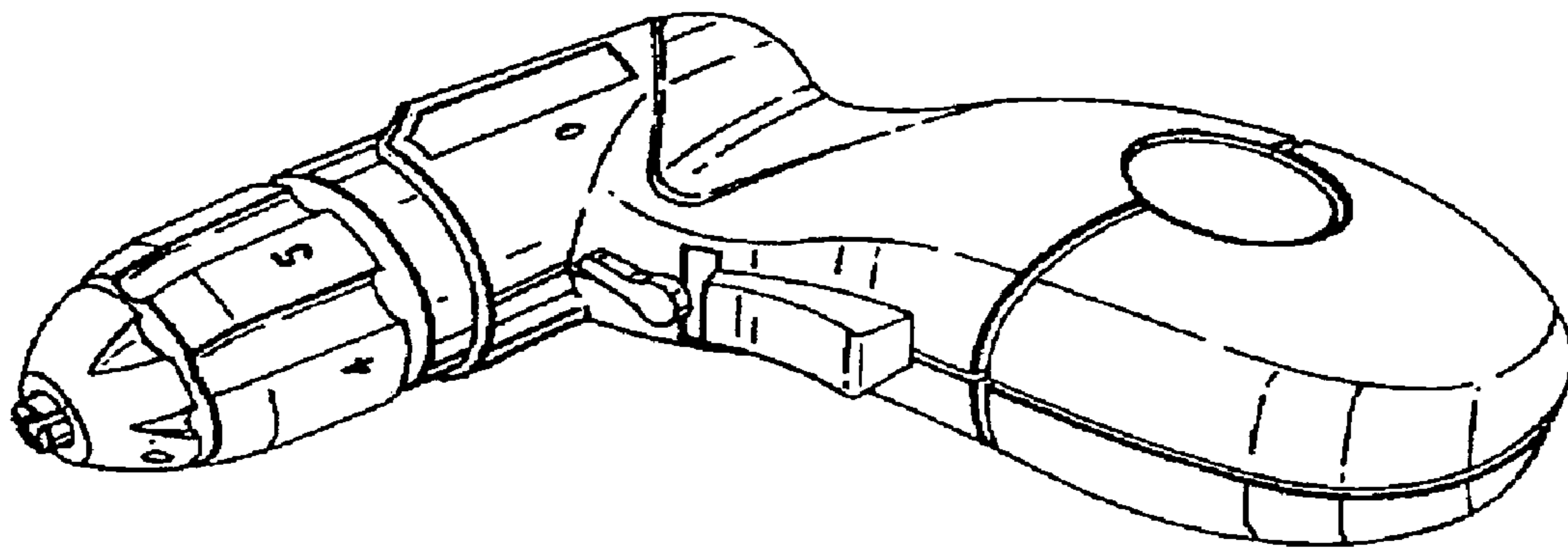


Fig. 1

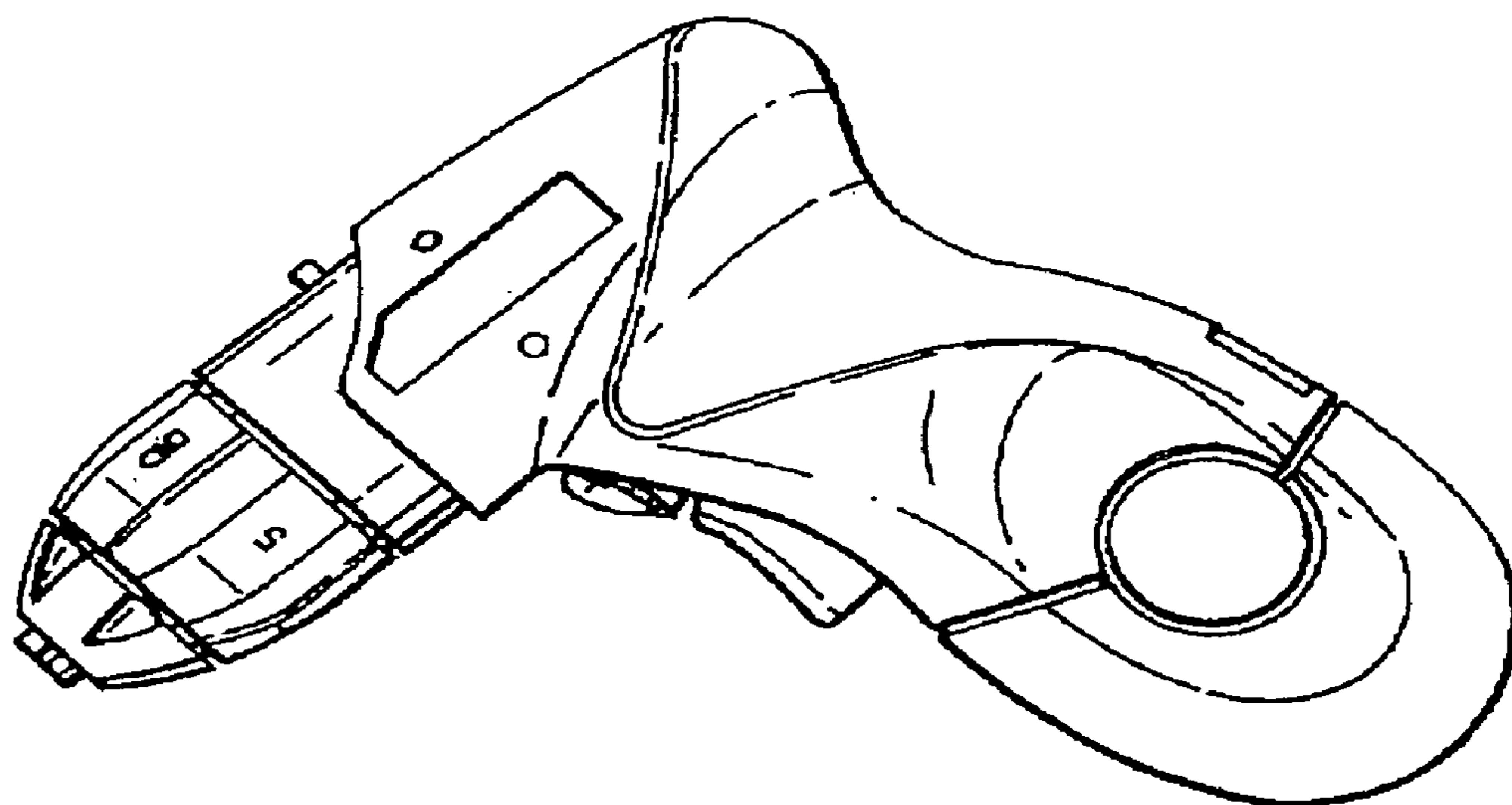


Fig. 2

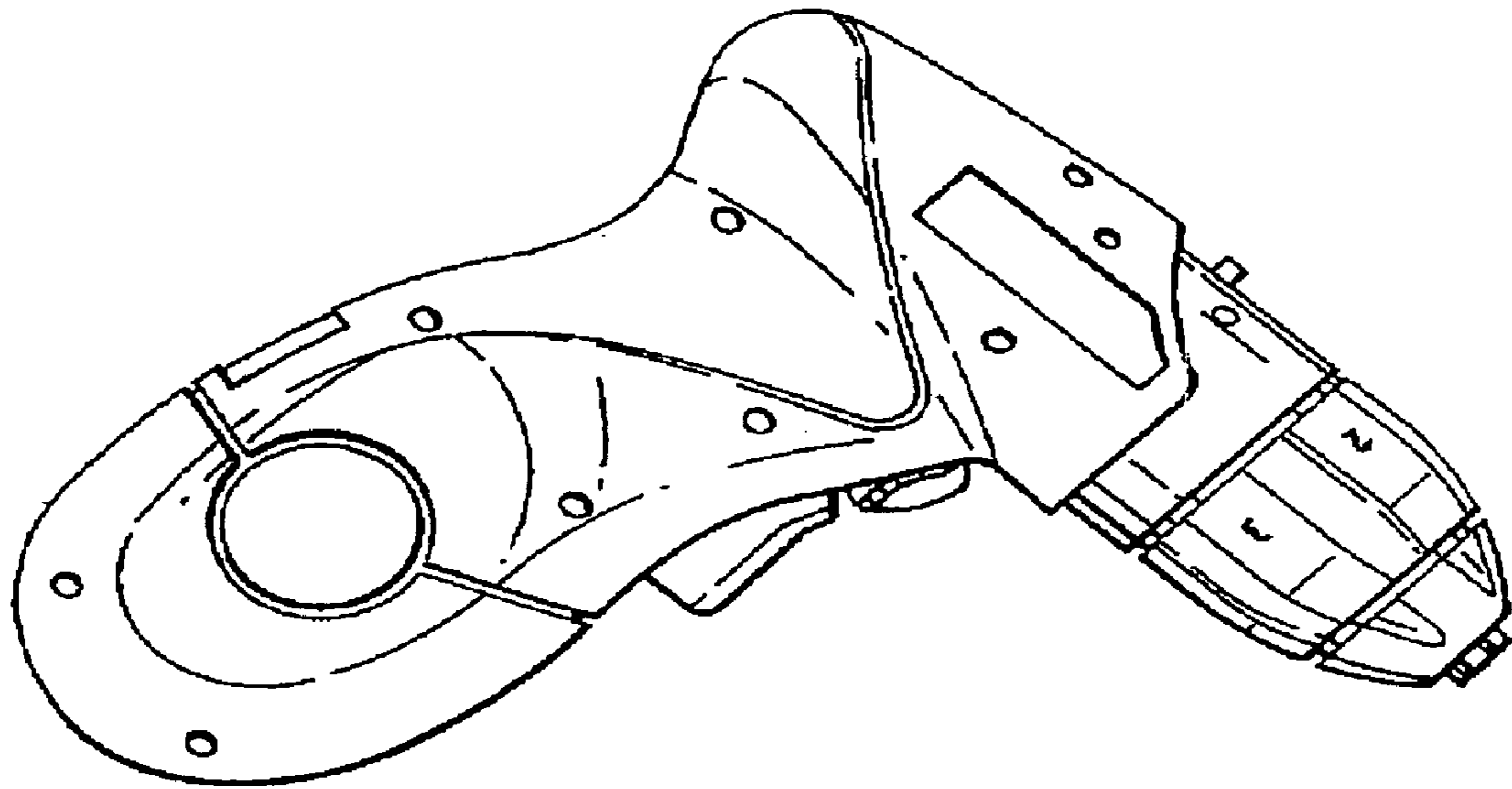


Fig. 3

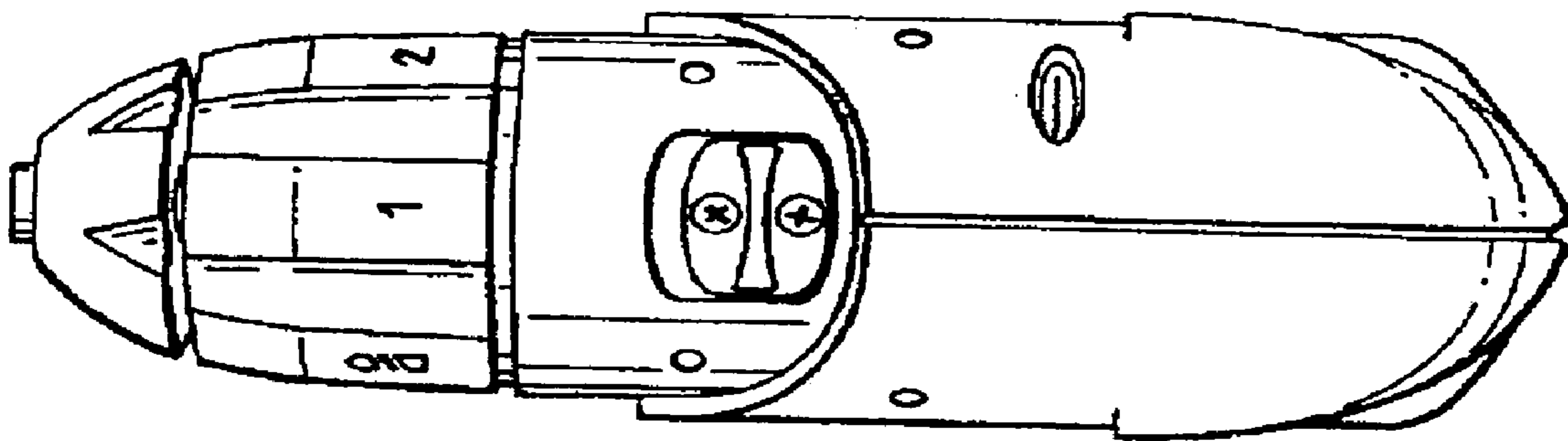


Fig. 4

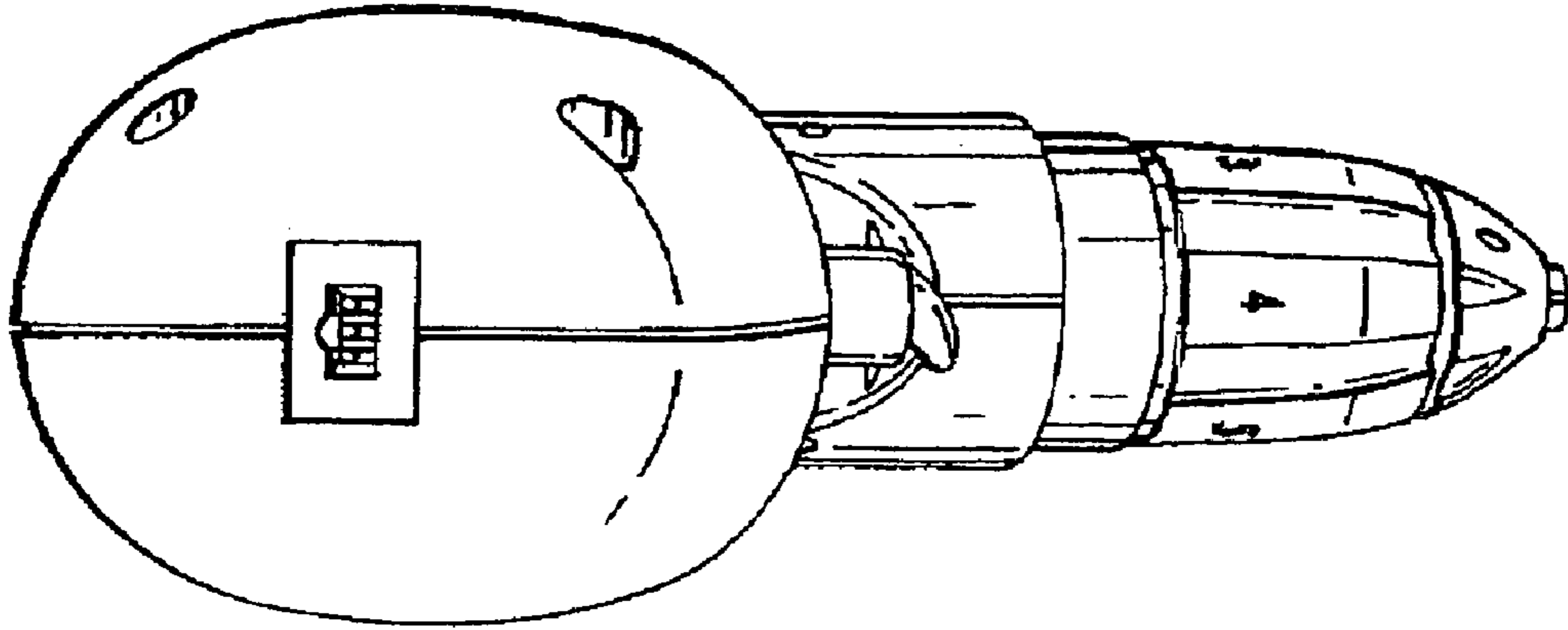


Fig. 5

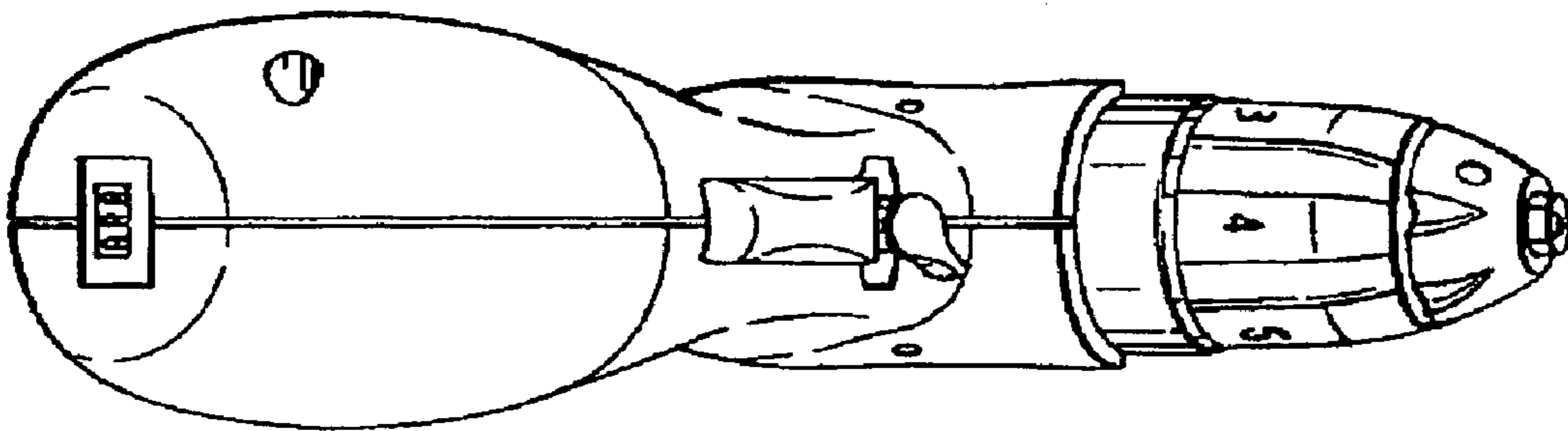


Fig. 6

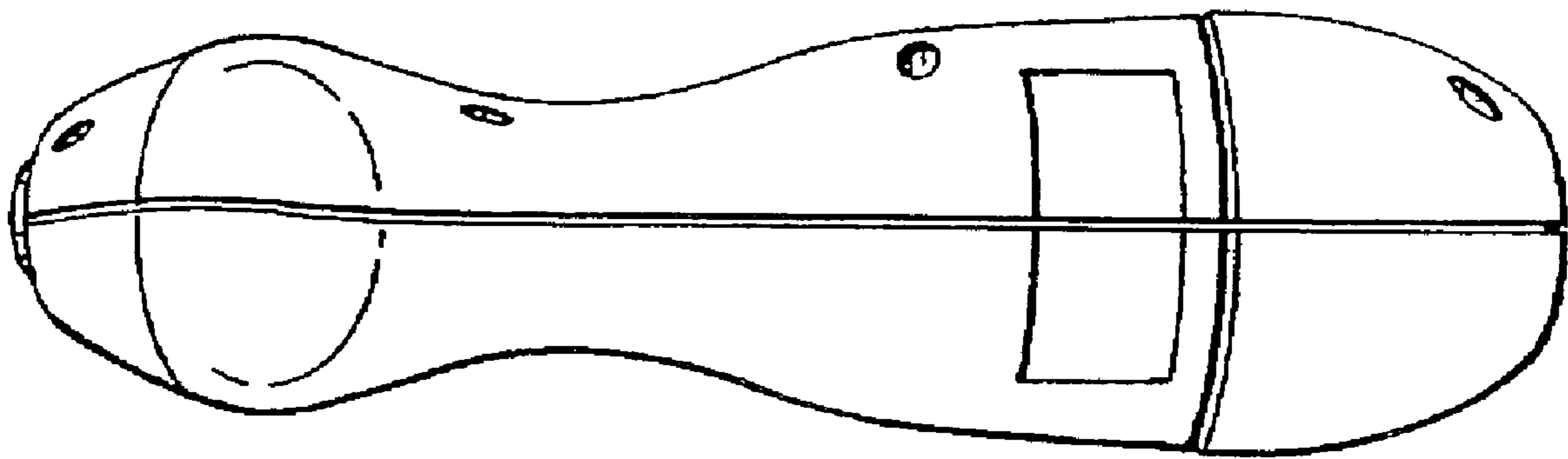


Fig. 7