



US00D547630S

(12) **United States Design Patent**
Fisher et al.

(10) **Patent No.:** **US D547,630 S**
(45) **Date of Patent:** **** Jul. 31, 2007**

(54) **CHAIN SAW**

(75) Inventors: **David B. Fisher**, Bowling Green, KY (US); **David E. Champlin**, Bowling Green, KY (US); **Douglas Sims**, Bowling Green, KY (US)

(73) Assignee: **Desa IP, LLC**, Miami, FL (US)

(**) Term: **14 Years**

(21) Appl. No.: **29/237,719**

(22) Filed: **Sep. 6, 2005**

(51) **LOC (8) Cl.** **08-03**

(52) **U.S. Cl.** **D8/65**

(58) **Field of Classification Search** D8/7,
D8/8, 9, 68, 70, 65, 66, 67, 62, 63, 64, 61;
30/386, 383, 362, 371, 123; 125/21
See application file for complete search history.

(56) **References Cited**

U.S. PATENT DOCUMENTS

523,160 A	7/1894	Blakesley
834,251 A	10/1906	Bailey
2,032,609 A	3/1936	Arsneau
2,316,997 A	4/1943	Smith
2,370,556 A	2/1945	Mall
2,409,775 A	10/1946	Mall et al.
2,444,138 A	6/1948	Mall
2,540,892 A	2/1951	Koch
2,618,298 A	11/1952	Pratt
2,624,379 A	1/1953	Arneson
2,626,303 A	1/1953	Link
2,645,254 A	7/1953	Ausdall
2,670,018 A	2/1954	Fiest
2,703,928 A	3/1955	Southwick
2,718,908 A	9/1955	Kiekhaefer
2,755,826 A	7/1956	Kiekhaefer
2,765,821 A	10/1956	Strunk
2,767,746 A	10/1956	Adams
2,774,395 A	12/1956	Tweedle

2,798,516 A	7/1957	Heal et al.
2,812,507 A	11/1957	Luisada
2,827,932 A	3/1958	Strunk
2,839,097 A	6/1958	Siria
2,845,967 A	8/1958	Hutchinson
2,909,754 A	10/1959	Bach
2,910,100 A	10/1959	Hoff et al.
2,933,112 A	4/1960	Bentley
2,992,660 A	7/1961	Merz
3,066,708 A	12/1962	Haefliger
3,113,467 A	12/1963	McKenna

(Continued)

FOREIGN PATENT DOCUMENTS

DE 3433746 3/1986

(Continued)

Primary Examiner—Cathron C. Brooks

Assistant Examiner—Austin Murphy

(74) *Attorney, Agent, or Firm*—Alexander P. Brackett;
Middleton Reutlinger

(57) **CLAIM**

The ornamental design for a chain saw, as shown and described.

DESCRIPTION

FIG. 1 is a perspective view of our chain saw design;

FIG. 2 is a left view thereof;

FIG. 3 is a right side view thereof;

FIG. 4 is a bottom side view thereof;

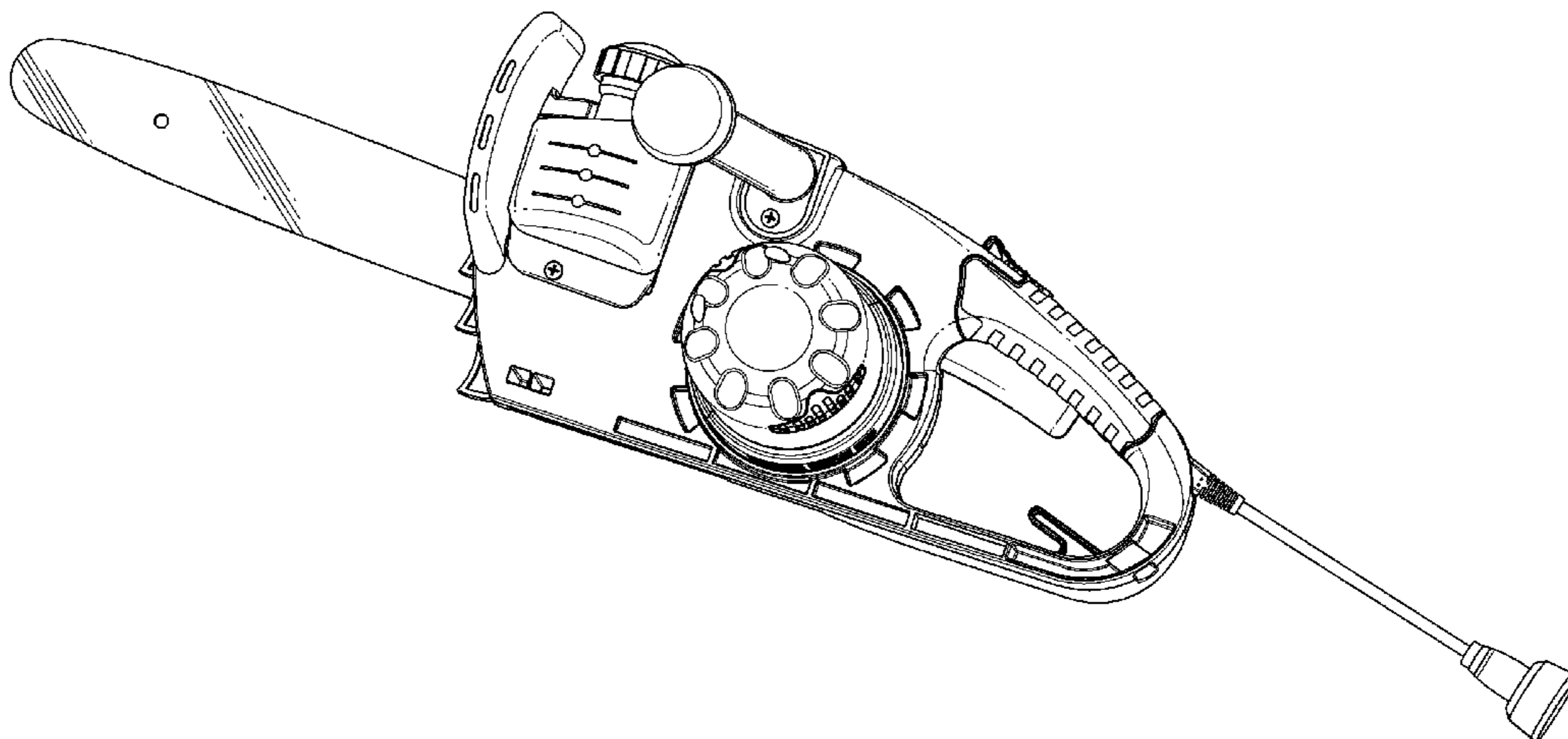
FIG. 5 is a front view thereof;

FIG. 6 is a back view thereof; and,

FIG. 7 is a top view thereof.

The broken lines shown in the drawings form no part of the claimed design.

1 Claim, 7 Drawing Sheets



US D547,630 S

U.S. PATENT DOCUMENTS			FOREIGN PATENT DOCUMENTS		
3,157,211 A	11/1964	Wiig	5,413,158 A	5/1995	Wirth, Jr. et al.
3,194,284 A	7/1965	Walker	5,497,557 A	3/1996	Martinsson
3,232,325 A	2/1966	Hamilton	5,528,835 A	6/1996	Ra
3,247,873 A	4/1966	Aitken et al.	5,533,432 A	7/1996	Ornberg
3,267,973 A	8/1966	Beard	5,564,996 A	10/1996	Sundstrom
3,274,531 A	9/1966	Bourhenne	5,649,367 A *	7/1997	Hille et al. 30/387
3,279,508 A	10/1966	Ehlen et al.	5,653,028 A	8/1997	Hashimoto
3,327,741 A	6/1967	Merz	5,655,304 A *	8/1997	Apfel et al. 30/383
D210,948 S	5/1968	Middlemark	5,666,733 A *	9/1997	Nitschmann 30/387
3,382,898 A	5/1968	Walker	5,685,080 A	11/1997	Amano et al.
3,390,710 A	7/1968	Cookson et al.	5,709,254 A	1/1998	Argue
3,414,026 A	12/1968	Merz	5,862,600 A	1/1999	Leini et al.
3,435,859 A	4/1969	Walker	D408,247 S *	4/1999	Juratovac et al. D8/65
3,636,995 A	1/1972	Newman	D408,700 S *	4/1999	Juratovac et al. D8/65
D230,006 S *	1/1974	Guthrie et al. D8/65	5,896,670 A	4/1999	Gibson et al.
3,857,179 A	12/1974	Haupt, et al.	5,983,508 A	11/1999	Sundstrom
3,866,320 A	2/1975	Progl	6,032,373 A	3/2000	Peterson
D237,352 S *	10/1975	Shymkus D8/65	6,049,986 A	4/2000	Calkins et al.
4,026,020 A	5/1977	Hoppner et al.	6,061,915 A	5/2000	Seigneur et al.
4,048,722 A	9/1977	Howard	6,148,525 A	11/2000	Mizutani et al.
4,068,378 A	1/1978	Arai et al.	6,192,840 B1	2/2001	Durr et al.
4,103,511 A	8/1978	Kress et al.	6,237,228 B1	5/2001	Moody
4,117,594 A	10/1978	Arbuckle	6,237,229 B1	5/2001	Igawa et al.
4,129,943 A	12/1978	Bricker	D445,657 S *	7/2001	Jong D8/65
4,204,320 A	5/1980	Hayashimoto	6,256,890 B1	7/2001	Schliemann et al.
D255,770 S *	7/1980	Asamoto D8/65	6,296,586 B1	10/2001	Walkenhorst et al.
4,223,438 A	9/1980	Kerrison	6,311,599 B1	11/2001	Lindehall
4,270,270 A	6/1981	Loyd	6,345,447 B1	2/2002	Ronkko
RE30,680 E	7/1981	Kress et al.	6,354,006 B1	3/2002	Castelmani
4,315,370 A	2/1982	Horne	6,370,854 B1	4/2002	Moore
4,316,327 A	2/1982	Scott et al.	6,415,516 B1	7/2002	Tirado et al.
4,355,551 A	10/1982	Kolleas	6,435,732 B1	8/2002	Asao et al.
4,361,960 A	12/1982	Halverson	6,473,975 B1	11/2002	Sellmann
4,365,416 A *	12/1982	Overbury 30/382	6,493,948 B2	12/2002	Luegger et al.
4,382,334 A	5/1983	Reynolds	6,493,949 B2	12/2002	Kondo et al.
4,389,779 A *	6/1983	Overbury et al. 30/382	6,539,832 B1	4/2003	Nilsson
4,486,953 A	12/1984	Halverson	6,560,879 B2	5/2003	Franke et al.
4,534,005 A *	8/1985	Nagashima et al. 700/282	6,564,459 B1	5/2003	Steinbrueck et al.
4,563,817 A	1/1986	Leighton	6,575,285 B2	6/2003	Jong
4,680,862 A	7/1987	Wieland et al.	D481,601 S *	11/2003	Ashfield D8/65
4,730,952 A	3/1988	Wiley	6,694,623 B1	2/2004	Haughey
4,807,366 A	2/1989	Masato et al.	6,760,983 B2	7/2004	Fergusson et al.
4,819,335 A	4/1989	Alexander	6,782,627 B2	8/2004	Hermes et al.
4,835,868 A	6/1989	Nagashima	6,796,113 B2	9/2004	Moore
4,858,318 A	8/1989	Anderson	6,877,233 B1	4/2005	Franke
4,884,245 A	11/1989	McIntosh et al.	6,944,957 B2	9/2005	Donnerdal et al.
4,884,340 A	12/1989	Newman	2002/0073551 A1 *	6/2002	Goodwin 30/123.4
4,920,650 A	5/1990	Edlund	2002/0124421 A1 *	9/2002	Hermes et al. 30/386
4,939,842 A	7/1990	Rebhan	2002/0184868 A1	12/2002	Moore
4,945,637 A	8/1990	Anderson	2003/0088987 A1	5/2003	Jong
4,956,918 A	9/1990	Beyer	2003/0167642 A1 *	9/2003	Chen 30/387
4,981,129 A	1/1991	Osterman et al.	2004/0148788 A1	8/2004	Behbahany
4,986,252 A	1/1991	Holmes et al.	2005/0028379 A1	2/2005	Stones et al.
D314,697 S *	2/1991	Pioch et al. D8/64	2005/0178010 A1	8/2005	Petrenko
4,999,917 A	3/1991	Neville et al.			
4,999,918 A	3/1991	Schliemann et al.			
5,001,958 A	3/1991	Hall			
5,070,618 A	12/1991	Edlund			
5,078,119 A	1/1992	Holmes et al.			
5,088,197 A	2/1992	Anderson			
D325,330 S *	4/1992	Barnhill D8/65			
5,144,751 A	9/1992	Weber			
5,174,029 A	12/1992	Talberg			
5,177,871 A	1/1993	Martenson			
5,217,388 A	6/1993	Brown			
5,233,945 A	8/1993	Wolf et al.			
5,269,064 A	12/1993	Greene et al.			
5,345,686 A	9/1994	Zimmermann			
5,353,506 A	10/1994	Muller et al.			
5,396,705 A	3/1995	Leini			
5,404,614 A	4/1995	Stephens			

US D547,630 S

Page 3

JP	2000005930	11/1999	WO	9420778	9/1994
JP	2000052302	11/1999	WO	9855279	11/1999
JP	2000025002	1/2000	WO	0103896	5/2003
JP	10119002	11/2000	WO	2004078435	9/2004
JP	2000141306	5/2001	WO	03064125	3/2005
JP	2002036203	2/2002			
JP	2003112301	2/2003			

* cited by examiner

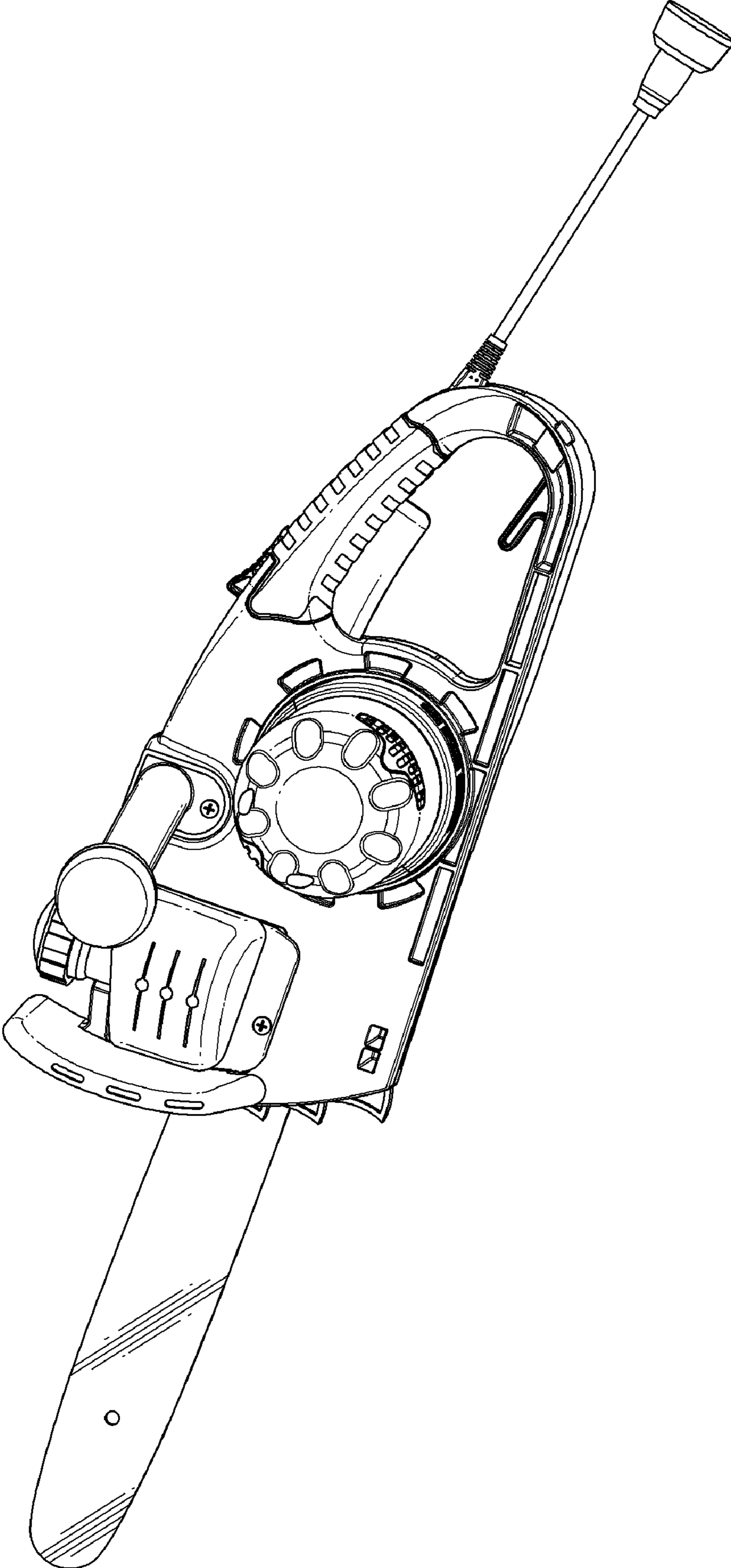


FIG. 1

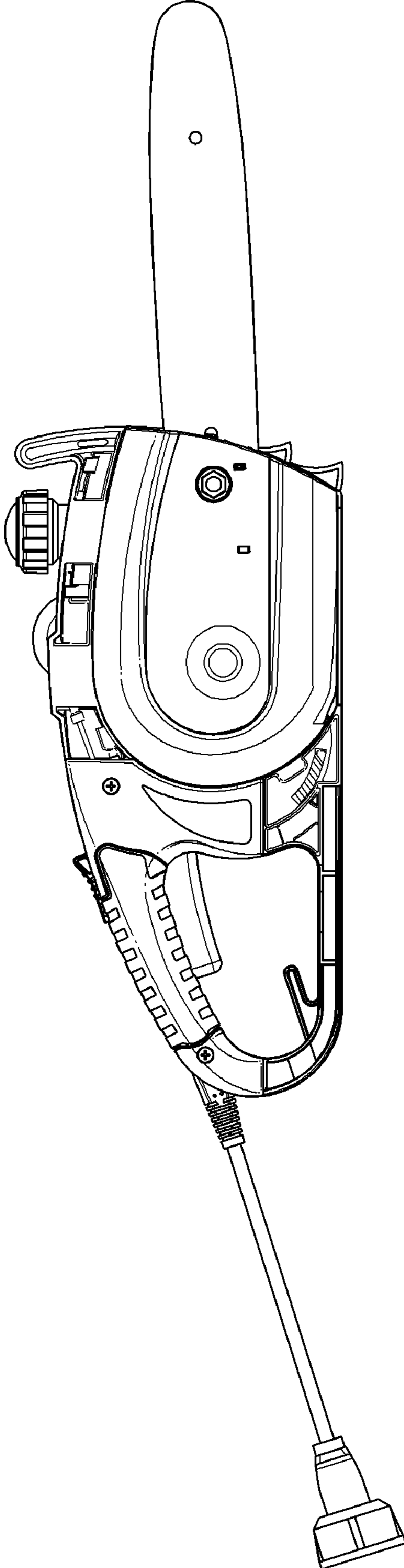


FIG. 2

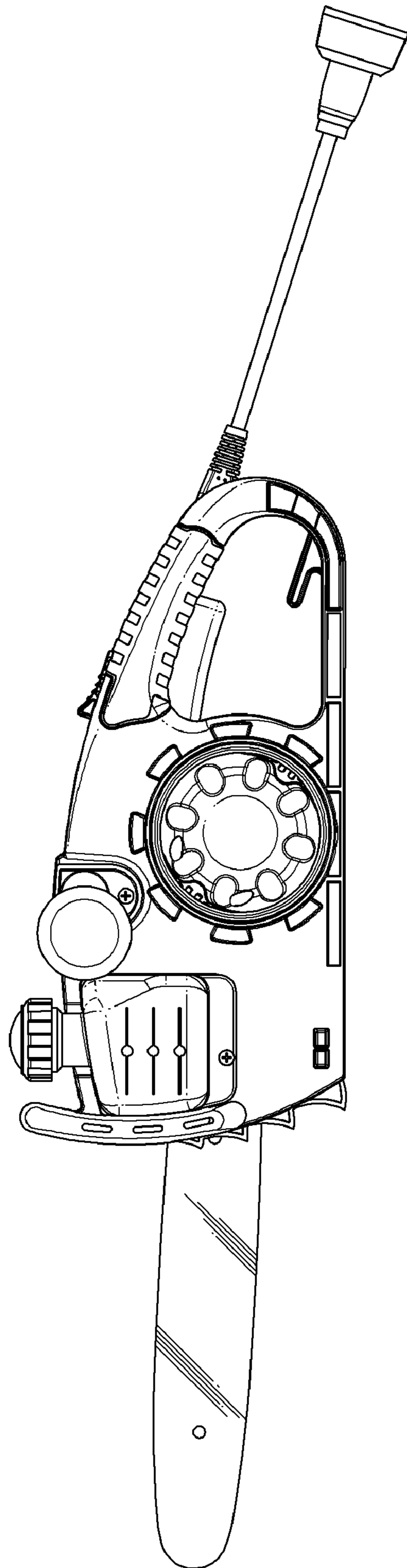


FIG. 3

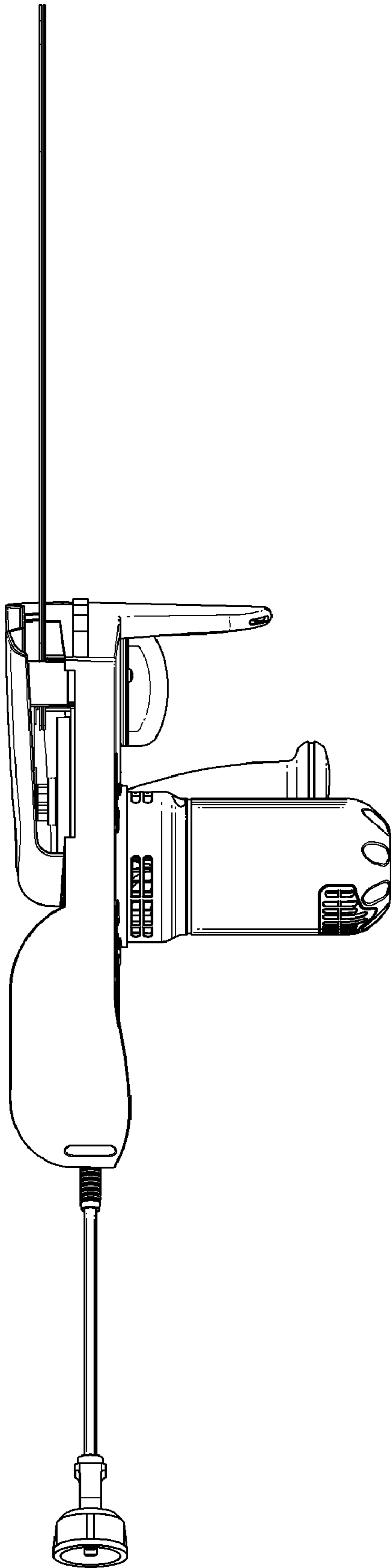


FIG. 4

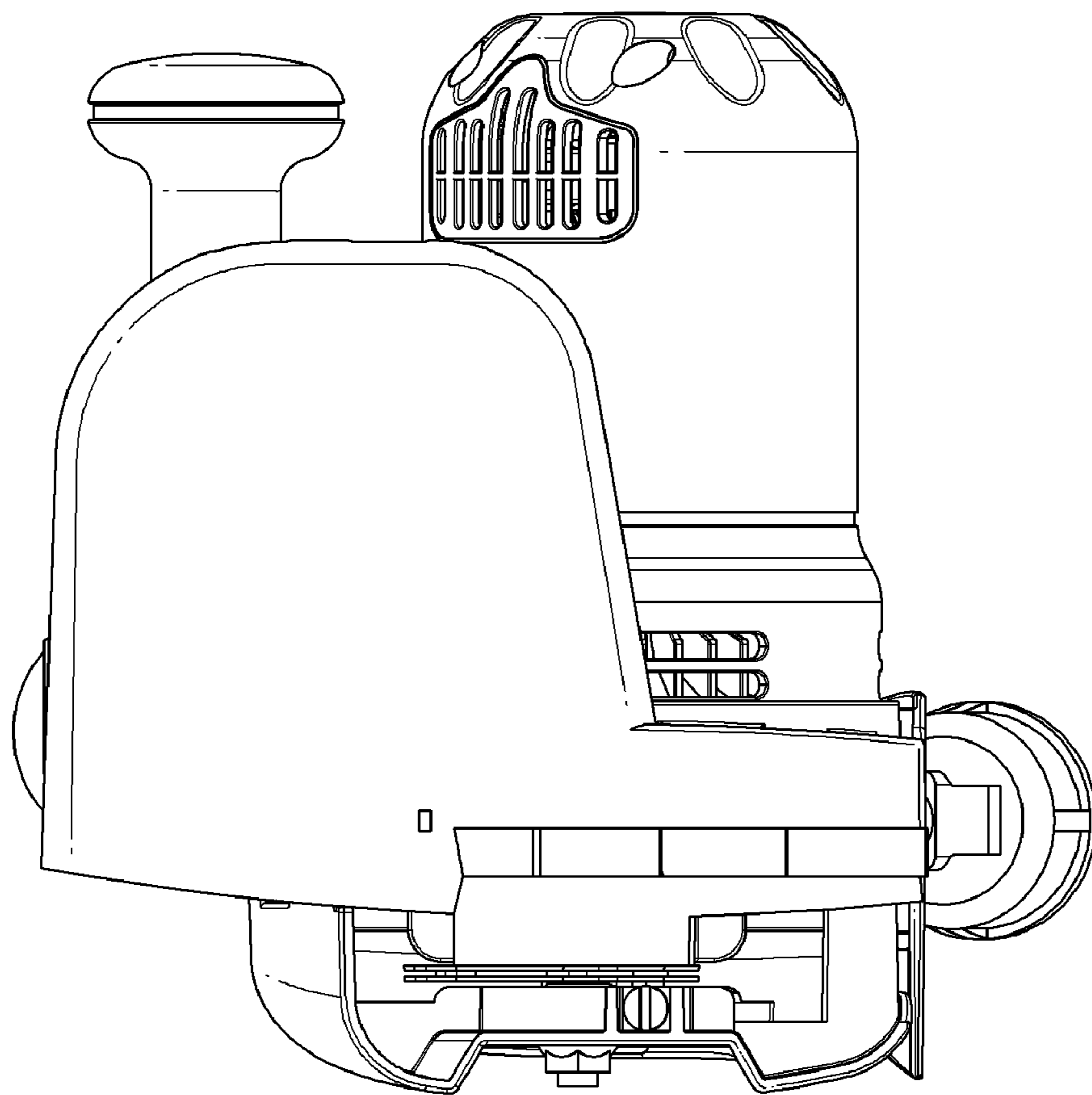


FIG. 5

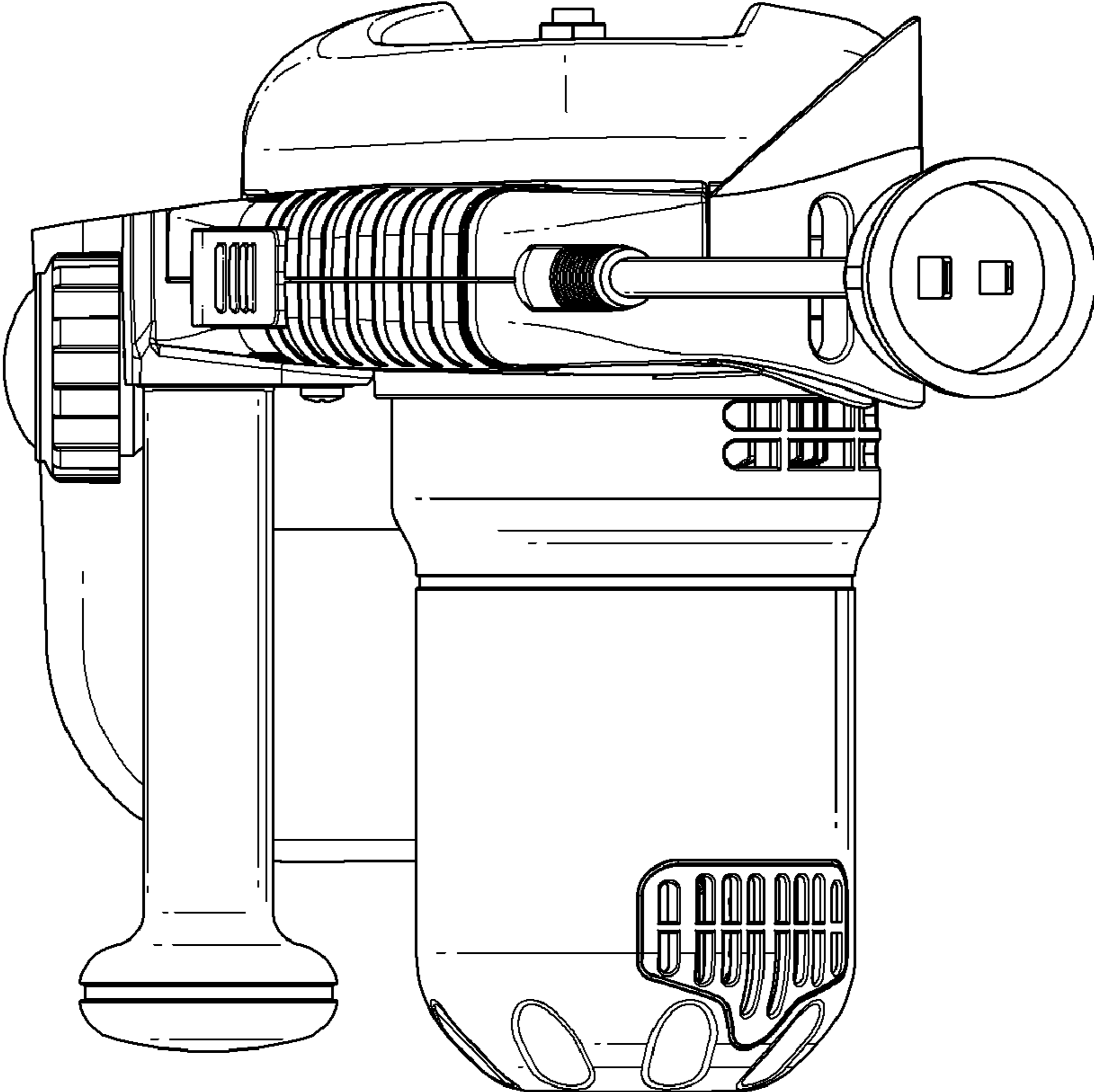


FIG. 6

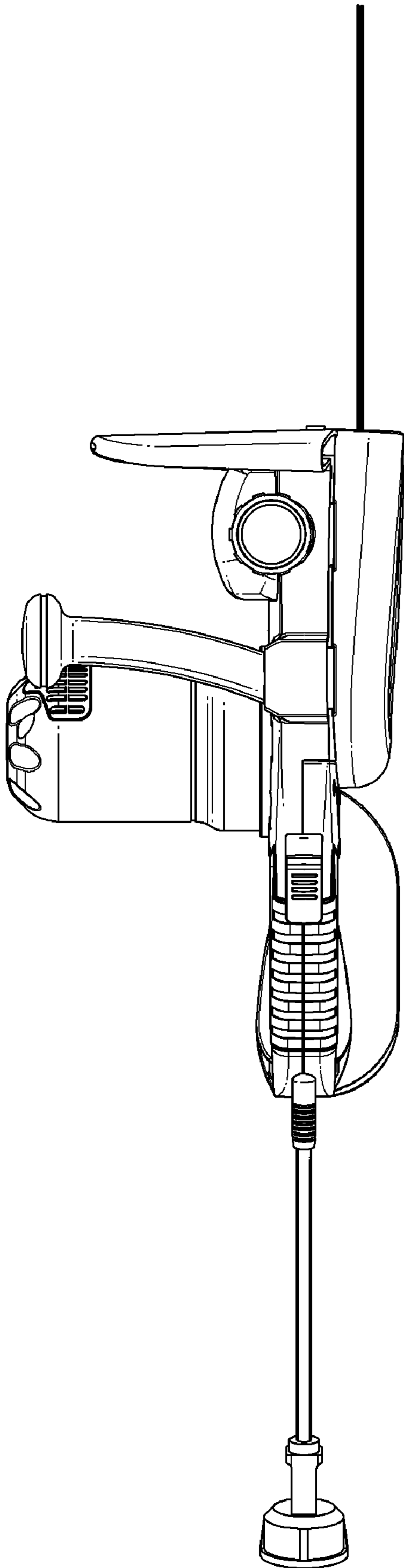


FIG. 7