

US00D547629S

(12) **United States Design Patent** (10) **Patent No.:** **US D547,629 S**
Beckwith (45) **Date of Patent:** **** Jul. 31, 2007**

(54) **PORTION OF HAND TOOL**

(75) Inventor: **Jonathan S. Beckwith**, Raleigh, NC
(US)

(73) Assignee: **Cooper Brands, Inc.**, Houston, TX
(US)

(**) Term: **14 Years**

(21) Appl. No.: **29/245,014**

(22) Filed: **Dec. 16, 2005**

(51) **LOC (8) Cl.** **08-03**

(52) **U.S. Cl.** **D8/57**

(58) **Field of Classification Search** D8/51,
D8/52, 57, 107; D24/133, 147, 148; 30/194,
30/231, 232, 175, 235, 233; 81/415, 416
See application file for complete search history.

(56) **References Cited**

U.S. PATENT DOCUMENTS

3,874,578	A *	4/1975	Derr et al.	227/144
3,894,451	A *	7/1975	Putsch	81/424.5
4,234,987	A *	11/1980	Charette	7/139
D267,773	S *	2/1983	Linden	D8/57
D269,207	S *	5/1983	Marlowe	D24/143
D285,167	S *	8/1986	Porat et al.	D8/57
D457,040	S *	5/2002	Hirschfeld	D8/52
D503,322	S *	3/2005	Albertson	D8/55
D511,279	S *	11/2005	Albertson	D8/26

OTHER PUBLICATIONS

Photographs of various older versions of **Wiss® Tinner's Snips** publically available at least as early as Jan. 1, 1970, 6 pages.

* cited by examiner

Primary Examiner—Alan P. Douglas

Assistant Examiner—Deanna Fluegeman

(74) *Attorney, Agent, or Firm*—SAIDMAN DesignLaw Group

(57) **CLAIM**

The ornamental design for a portion of hand tool, as shown and described.

DESCRIPTION

FIG. 1 is a perspective view of a first embodiment of a portion of hand tool showing my new design;

FIG. 2 is a front view thereof;

FIG. 3 is a rear view thereof;

FIG. 4 is a perspective view of a second embodiment of a portion of hand tool showing my new design;

FIG. 5 is a front view thereof;

FIG. 6 is a rear view thereof;

FIG. 7 is a perspective view of a third embodiment of a portion of hand tool showing my new design;

FIG. 8 is a front view thereof;

FIG. 9 is a rear view thereof; and

FIG. 10 is a perspective view of a fourth embodiment of a portion of hand tool showing my new design;

FIG. 11 is a front view thereof;

FIG. 12 is a rear view thereof;

FIG. 13 is a perspective view of a fifth embodiment of a portion of hand tool showing my new design;

FIG. 14 is a front view thereof;

FIG. 15 is a rear view thereof;

FIG. 16 is a perspective view of a sixth embodiment of a portion of hand tool showing my new design;

FIG. 17 is a front view thereof;

FIG. 18 is a rear view thereof;

FIG. 19 is a perspective view of a seventh embodiment of a portion of hand tool showing my new design;

FIG. 20 is a front view thereof;

FIG. 21 is a rear view thereof;

FIG. 22 is a perspective view of an eighth embodiment of a portion of hand tool showing my new design;

FIG. 23 is a front view thereof;

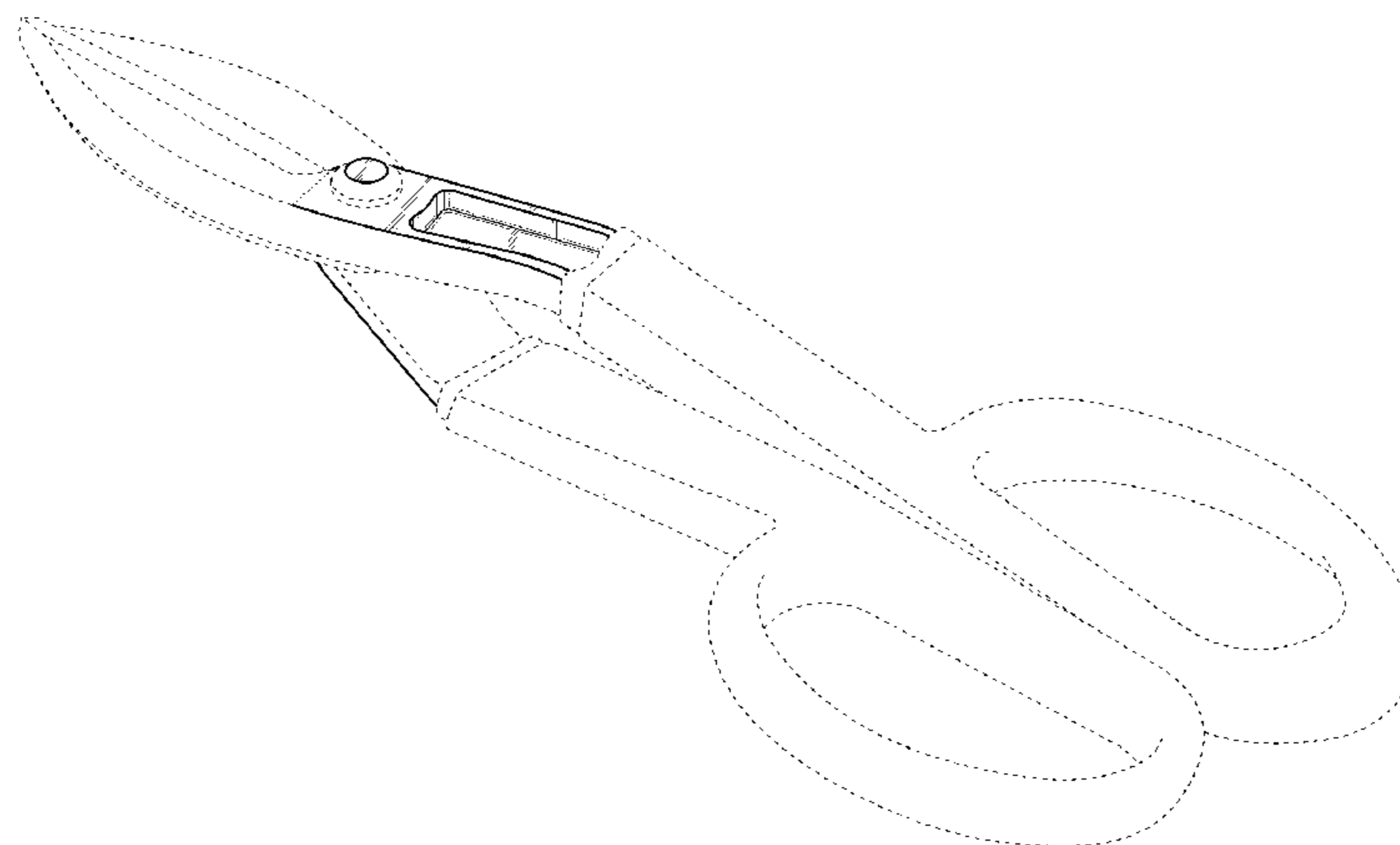


FIG. 24 is a rear view thereof; and

FIG. 25 is a perspective view of a ninth embodiment of a portion of hand tool showing my new design;

FIG. 26 is a front view thereof;

FIG. 27 is a rear view thereof;

FIG. 28 is a perspective view of a tenth embodiment of a portion of hand tool showing my new design;

FIG. 29 is a front view thereof; and,

FIG. 30 is a rear view thereof.

The dashed lines are illustrative and form no part of the claimed design. The dotted lines represent boundaries of the claimed design and form no part of the claimed design. In FIGS. 16-30, each cavity in these figures is shaded grey to represent color contrast between the cavity and the adjacent area.

1 Claim, 20 Drawing Sheets

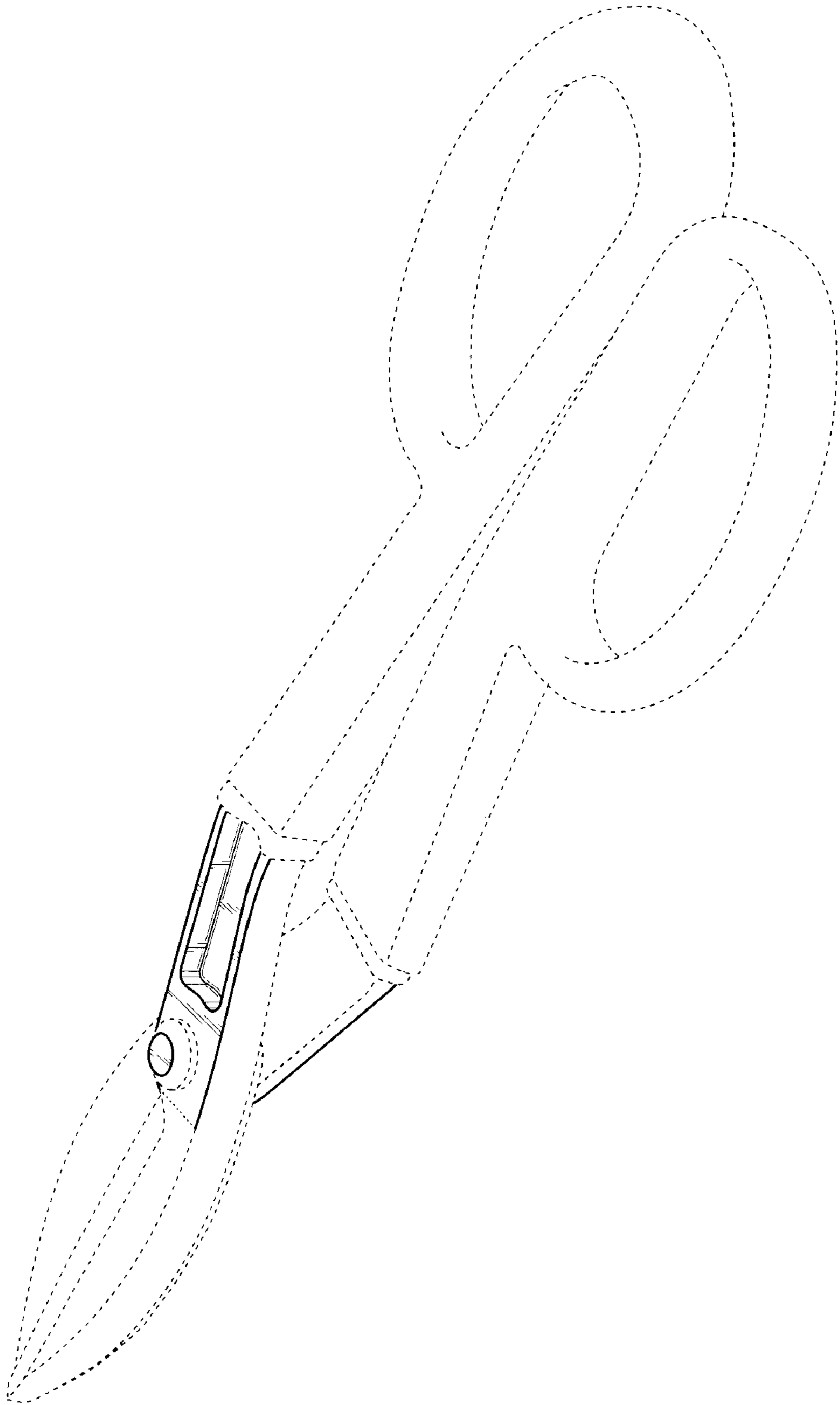


Fig. 1

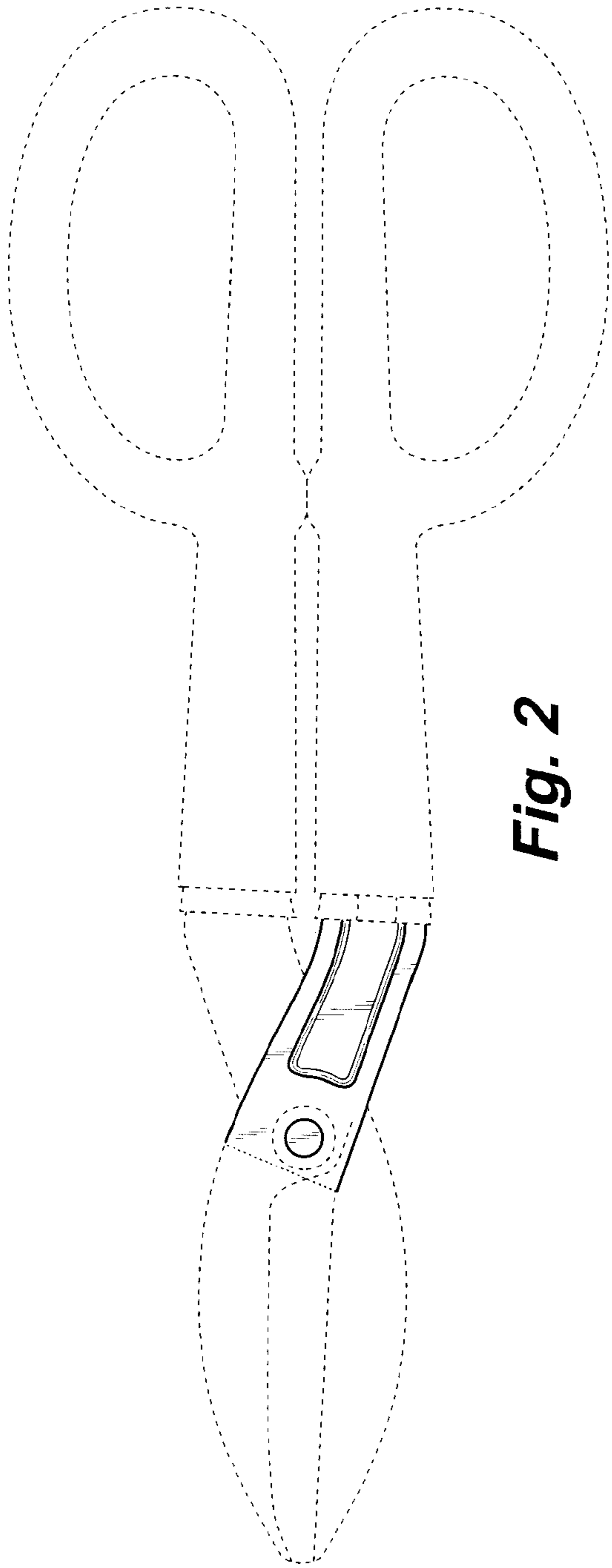


Fig. 2

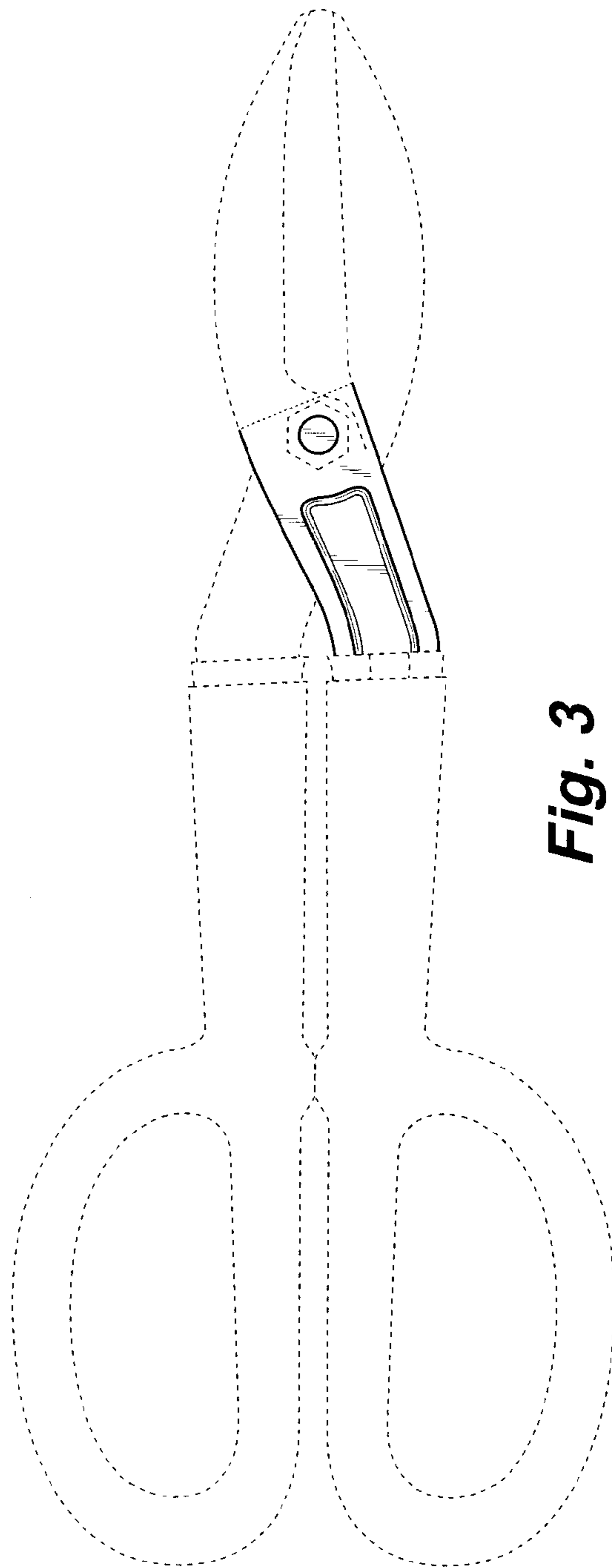


Fig. 3

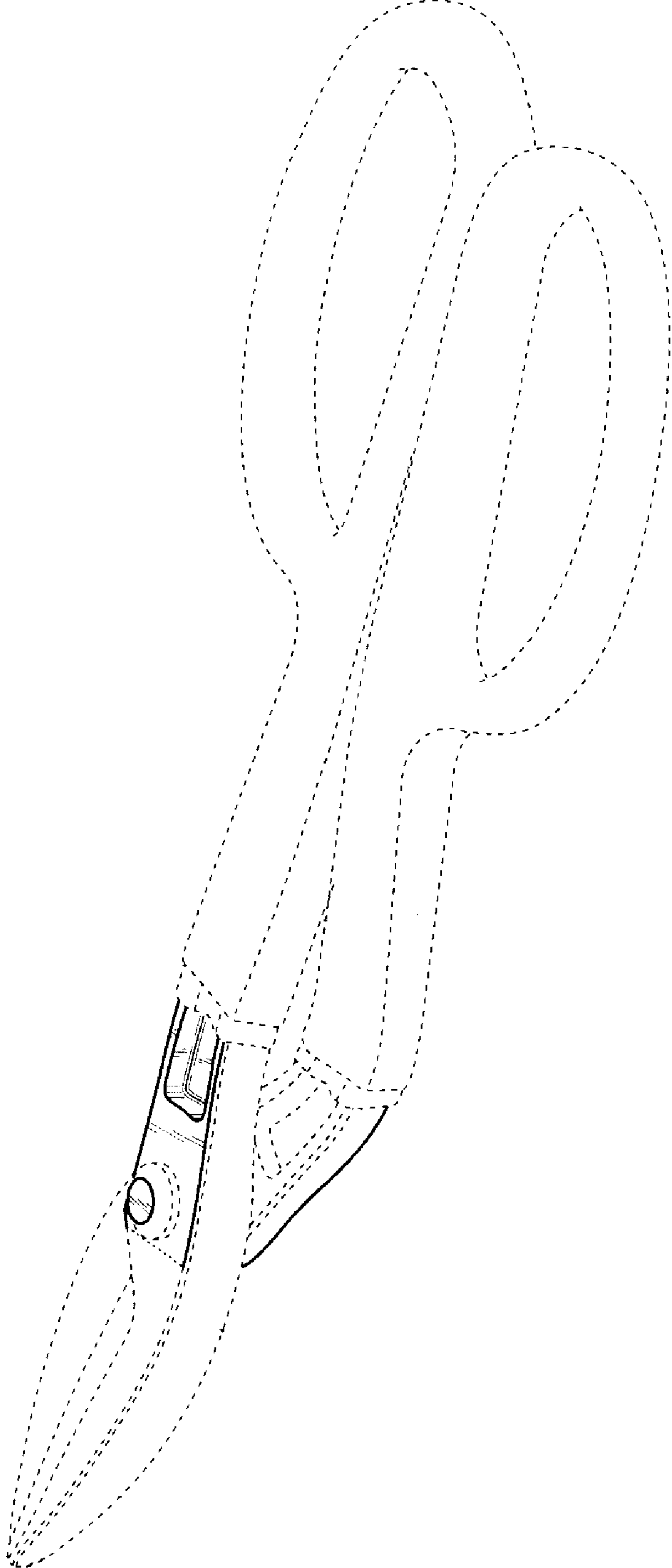


Fig. 4

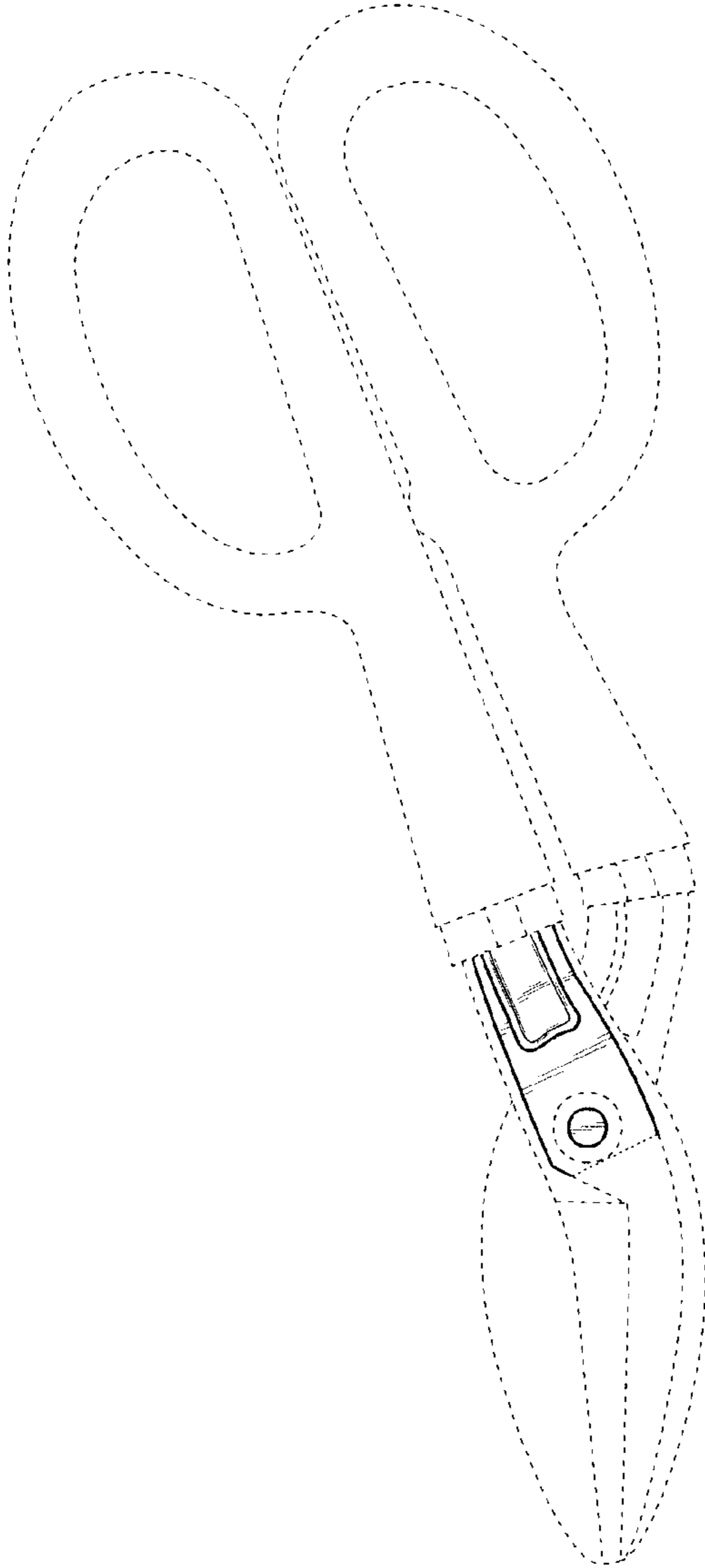


Fig. 5

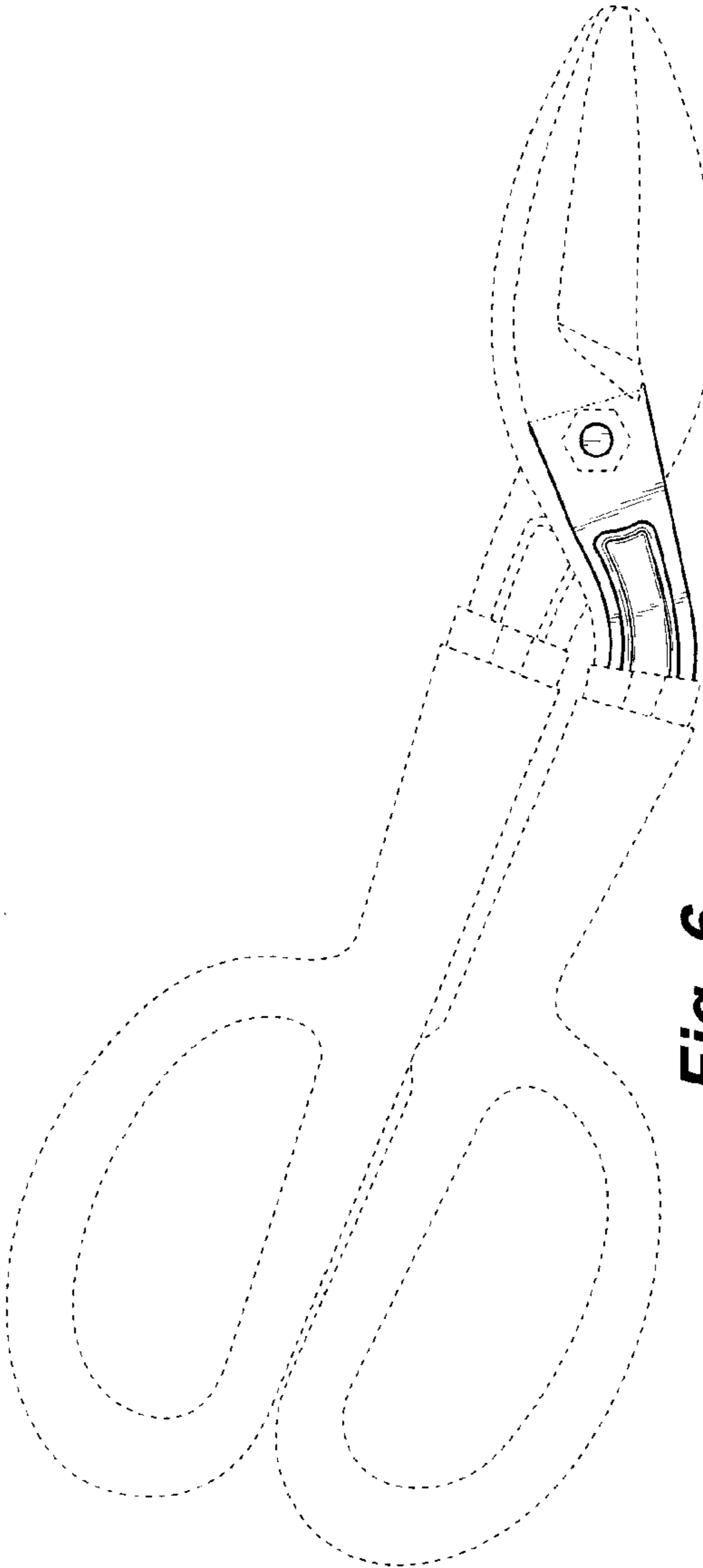


Fig. 6

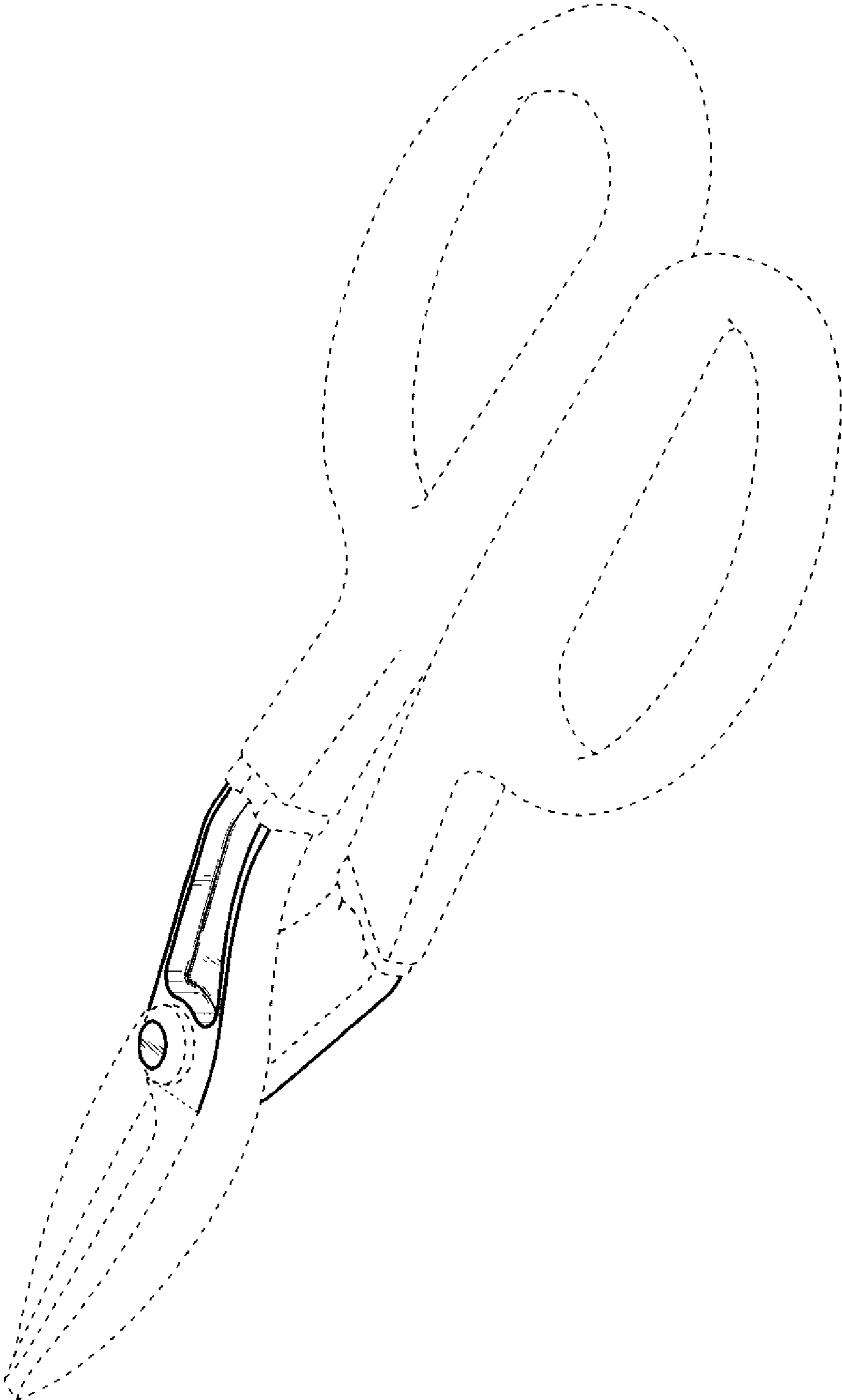


Fig. 7

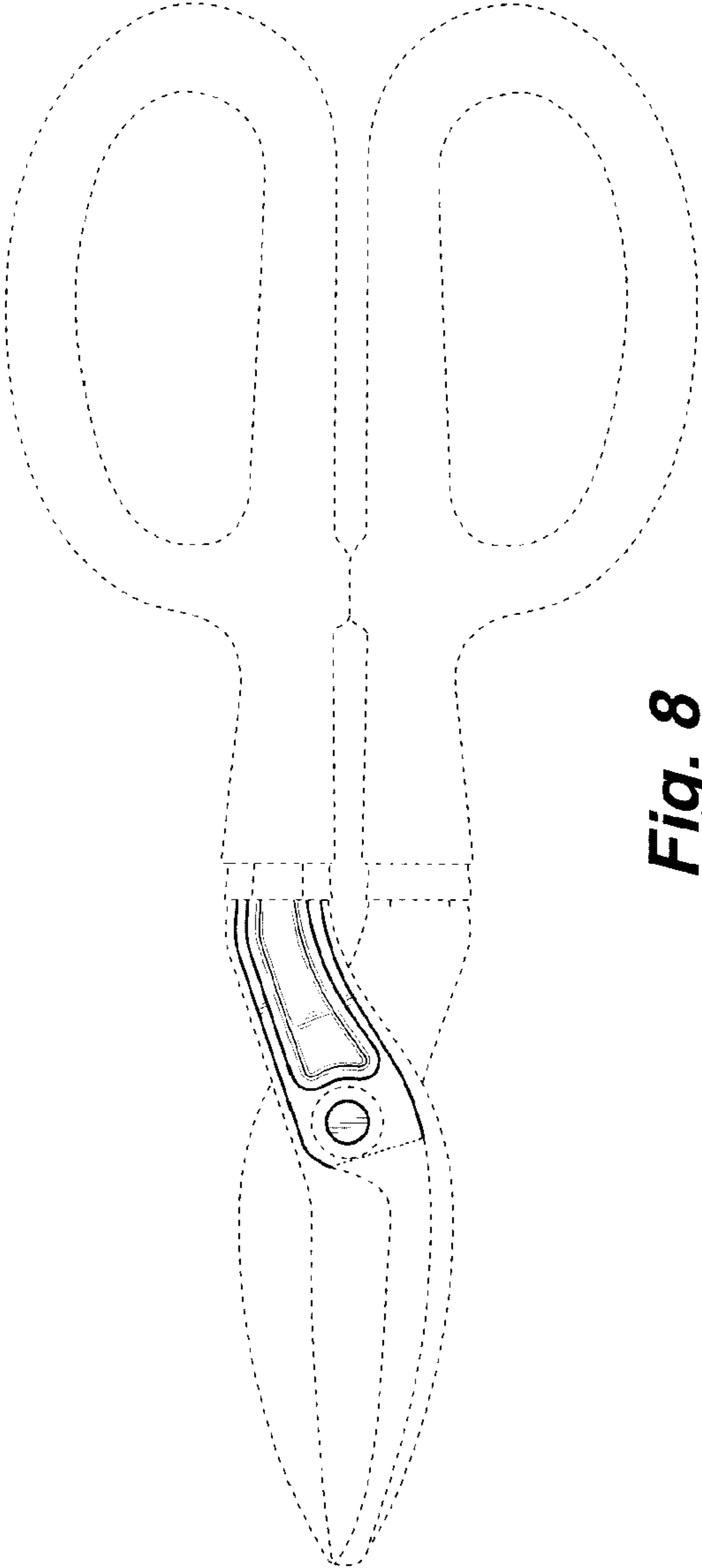


Fig. 8

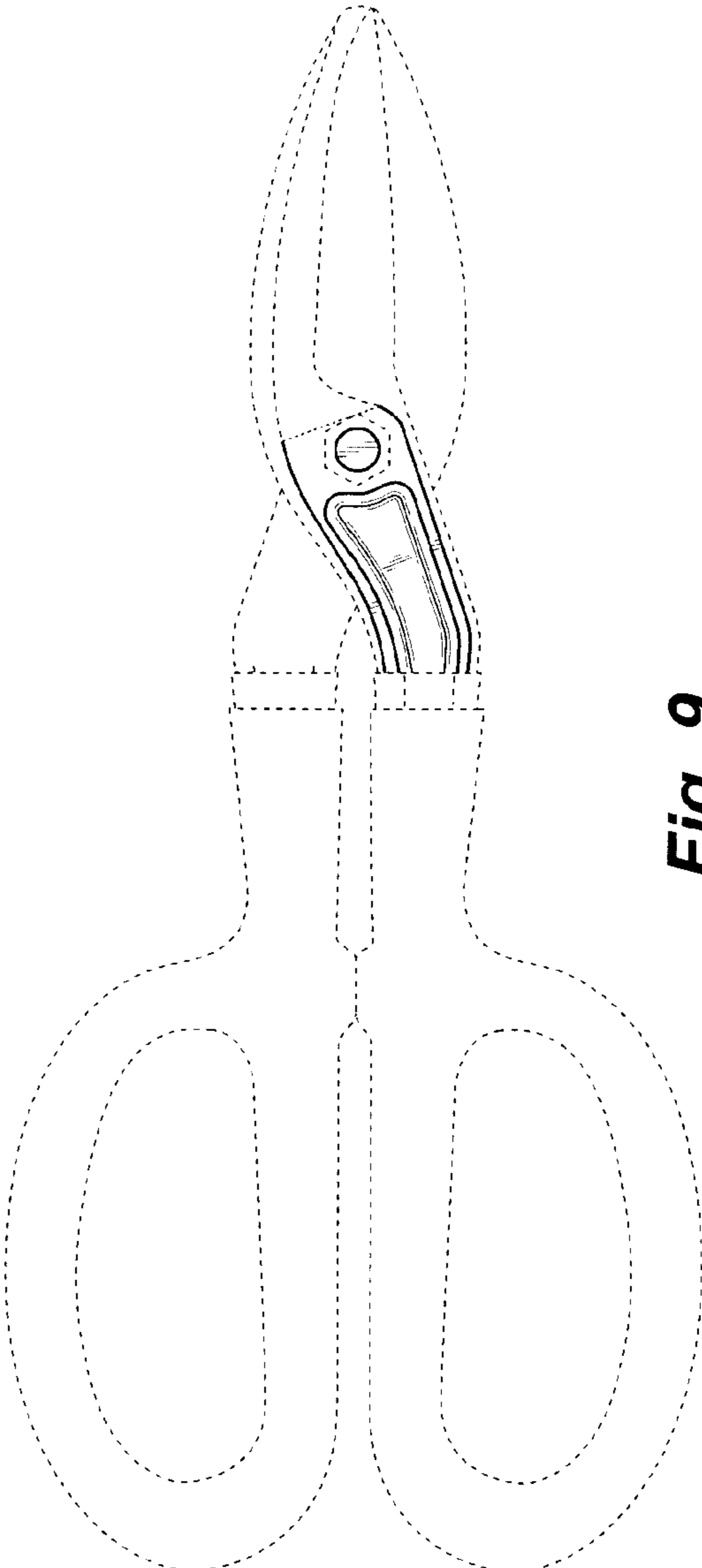


Fig. 9

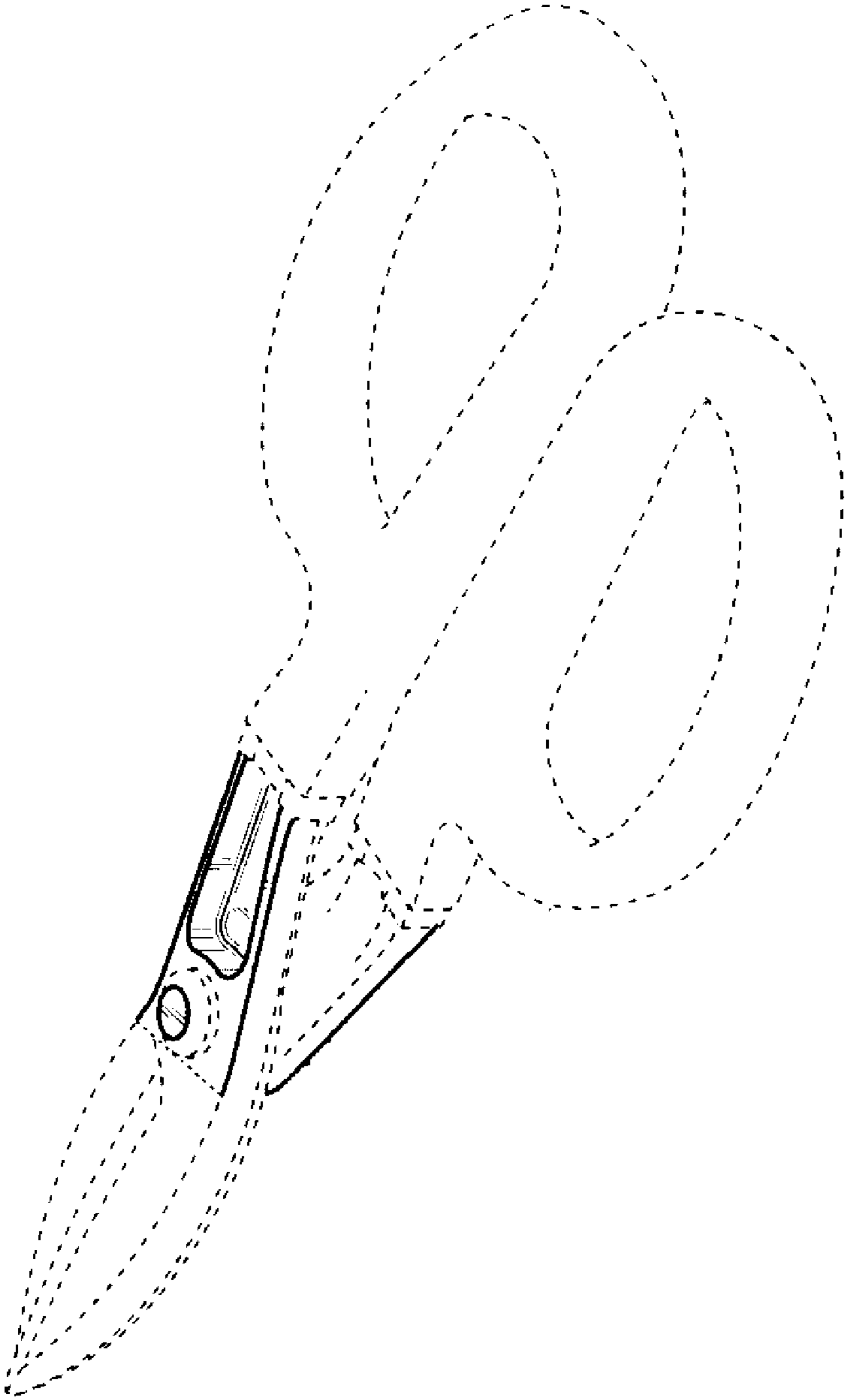


Fig. 10

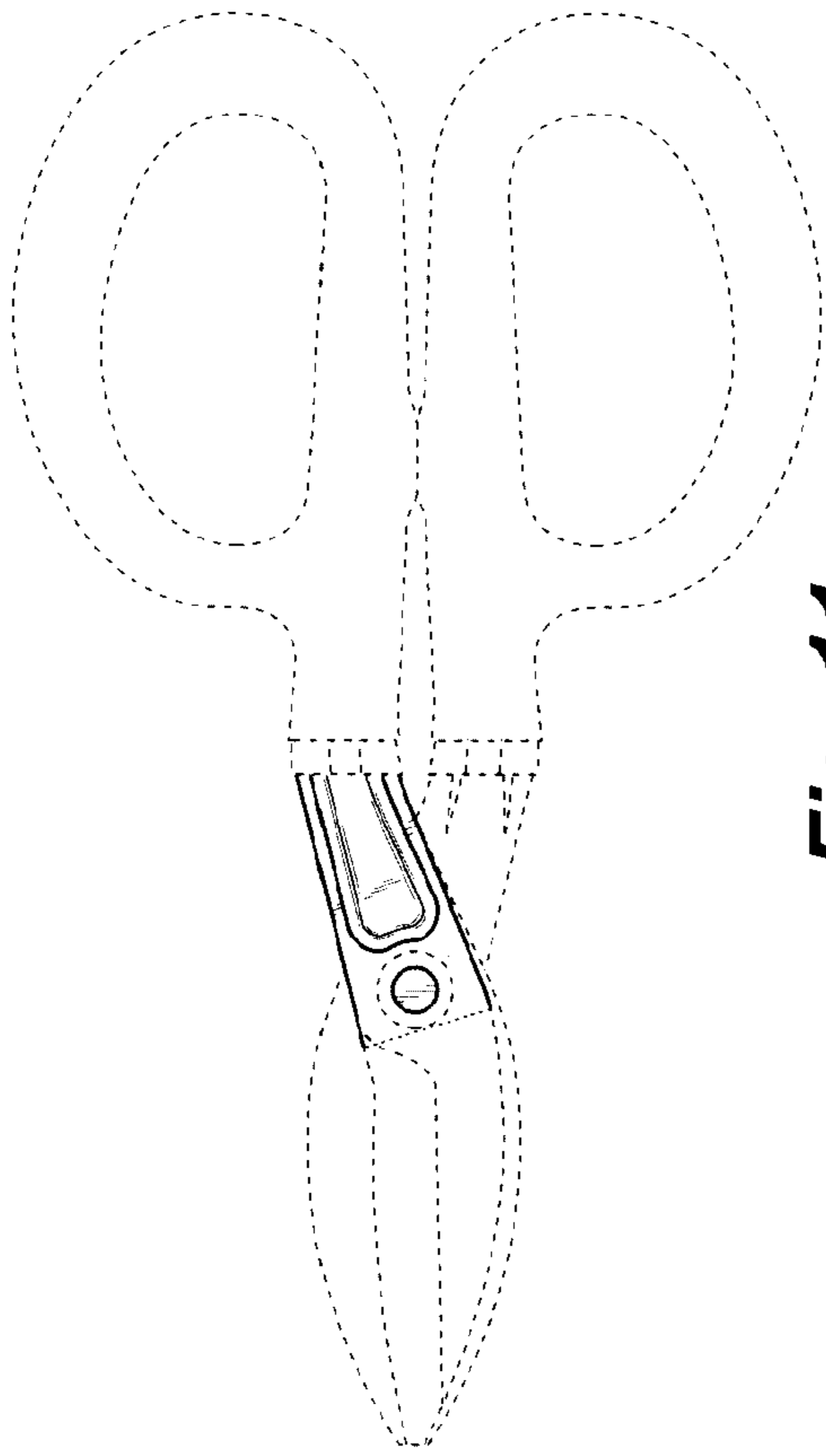


Fig. 11

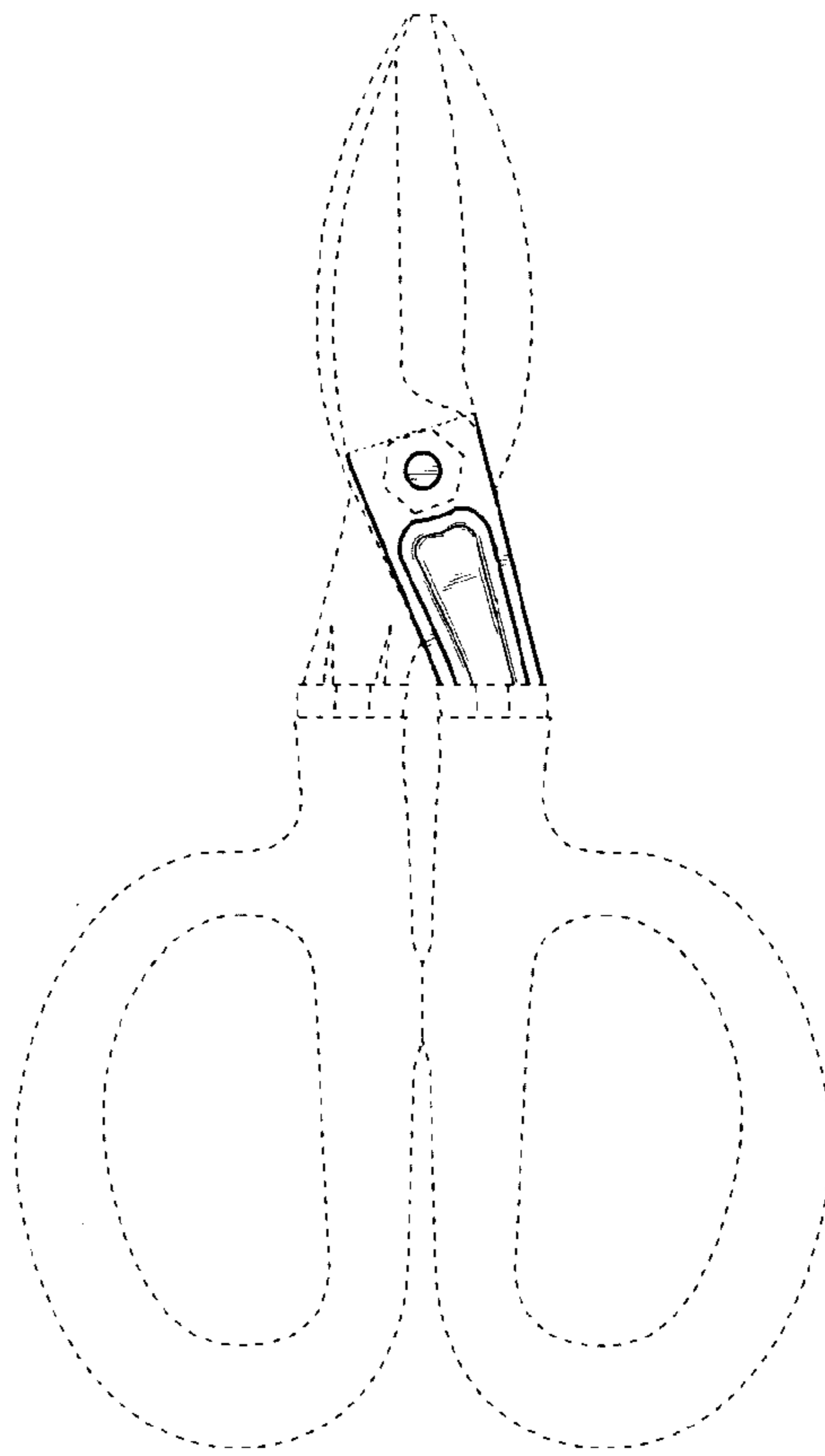


Fig. 12

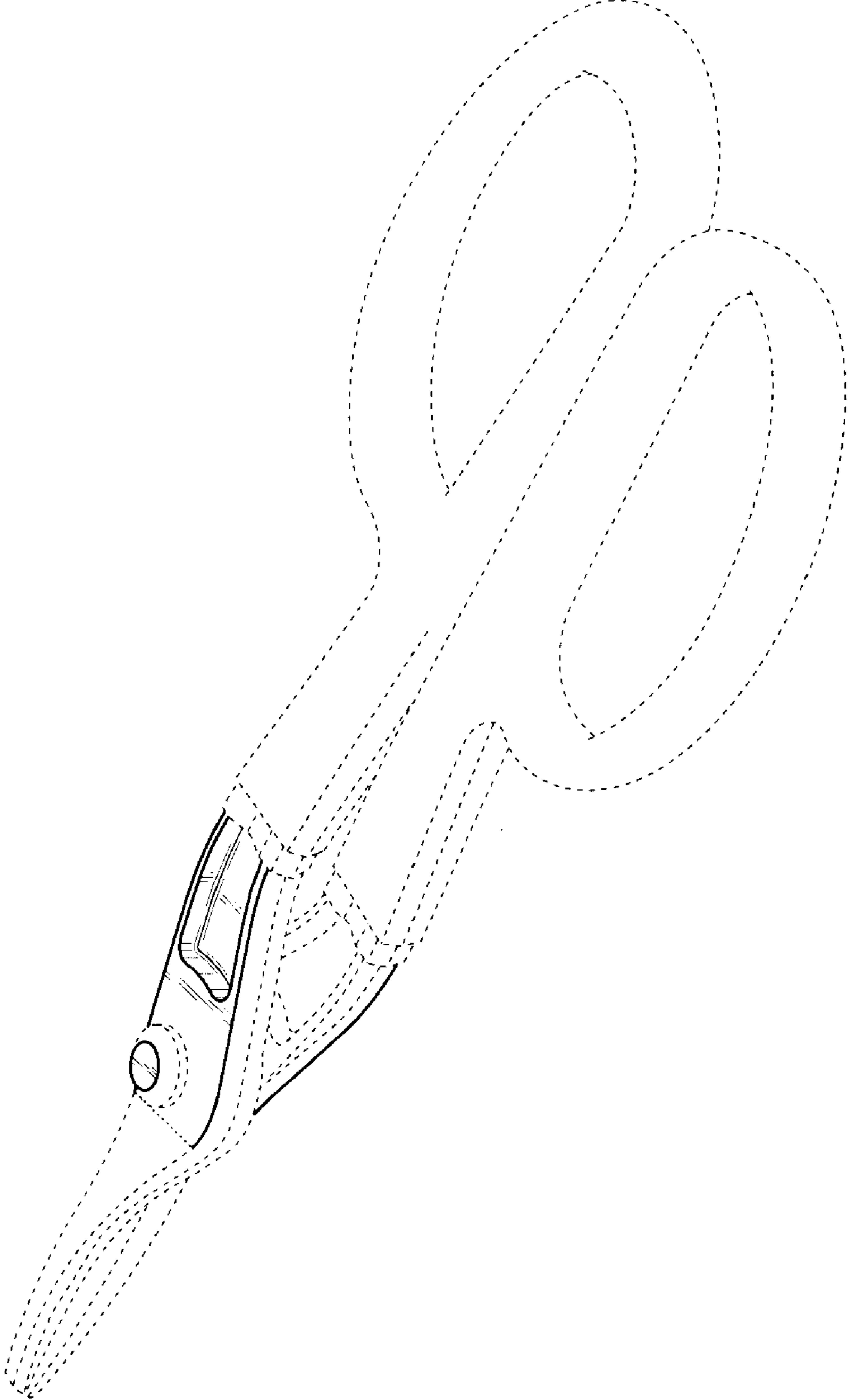


Fig. 13

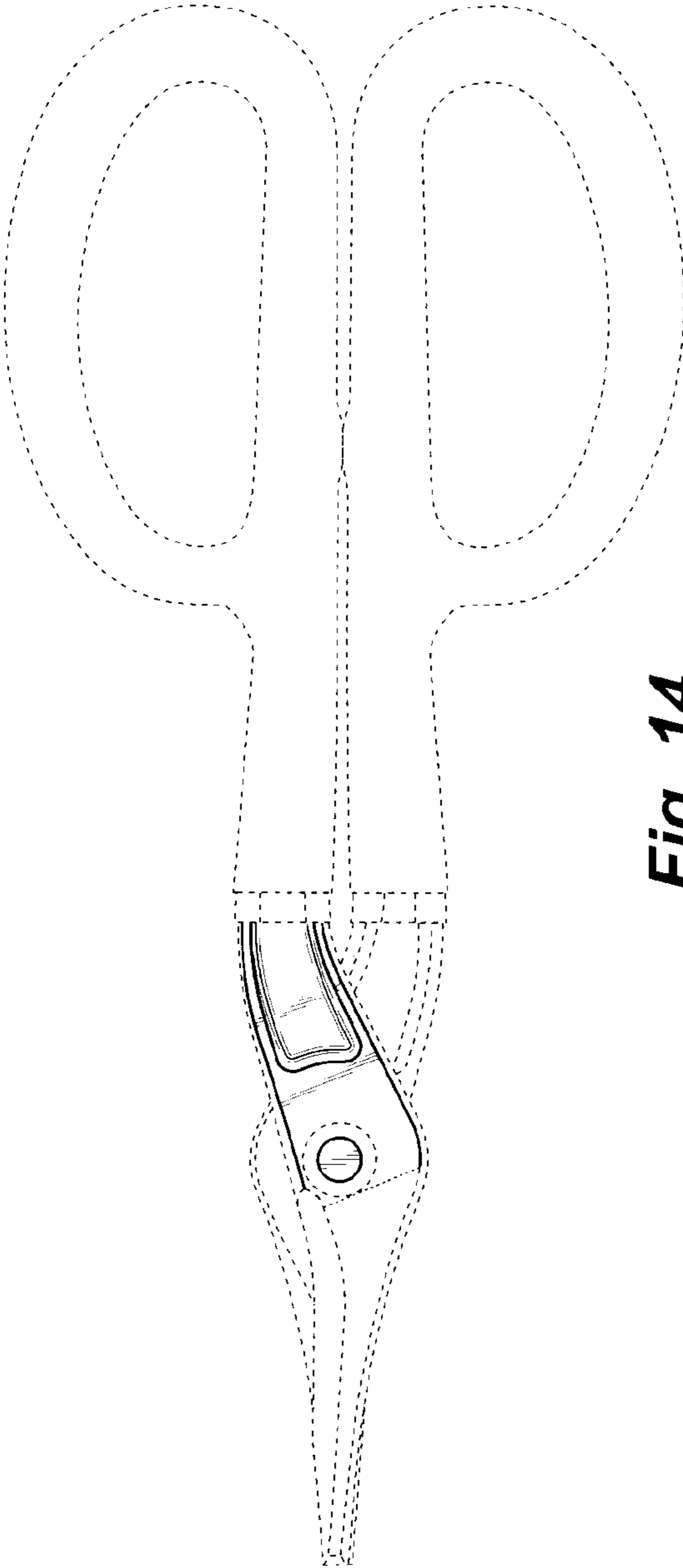


Fig. 14

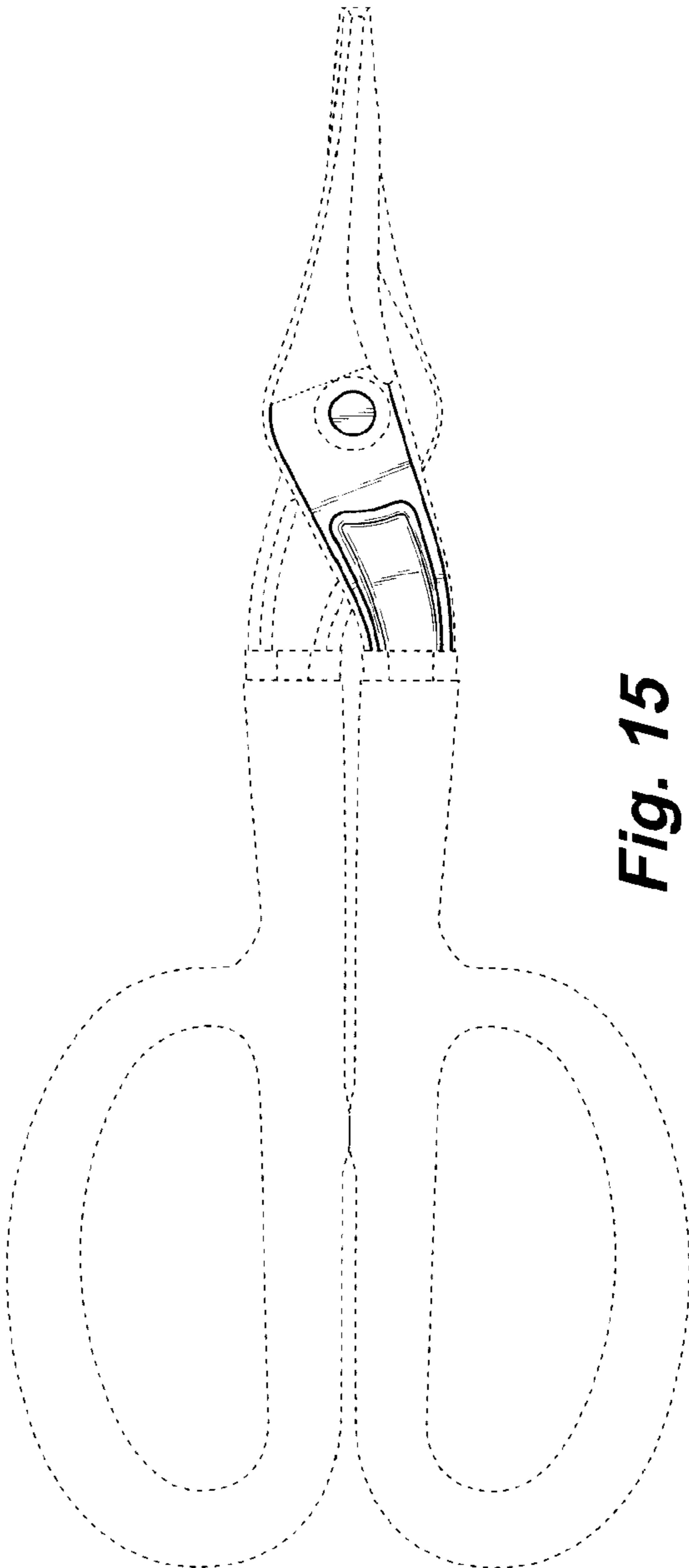


Fig. 15

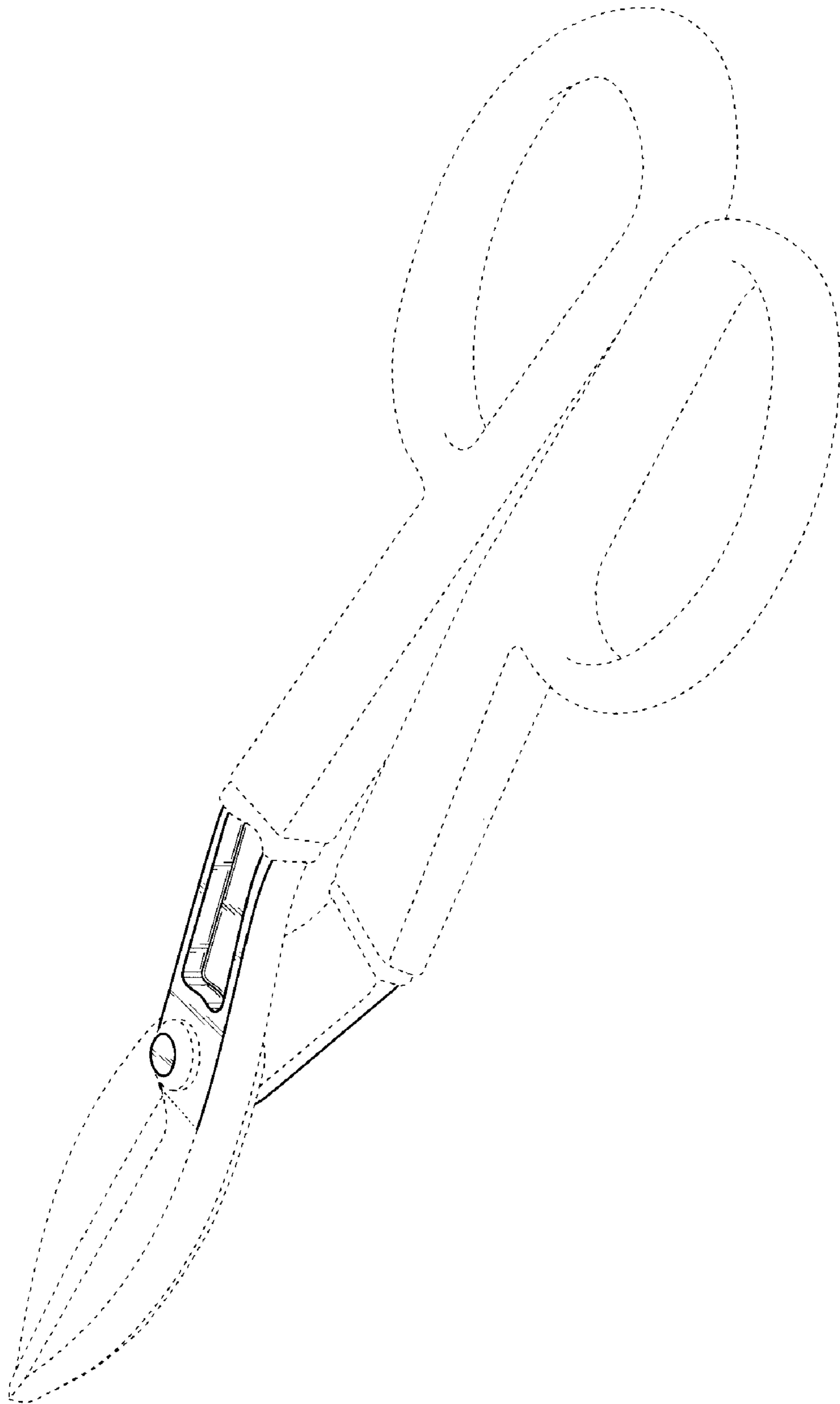


Fig. 16

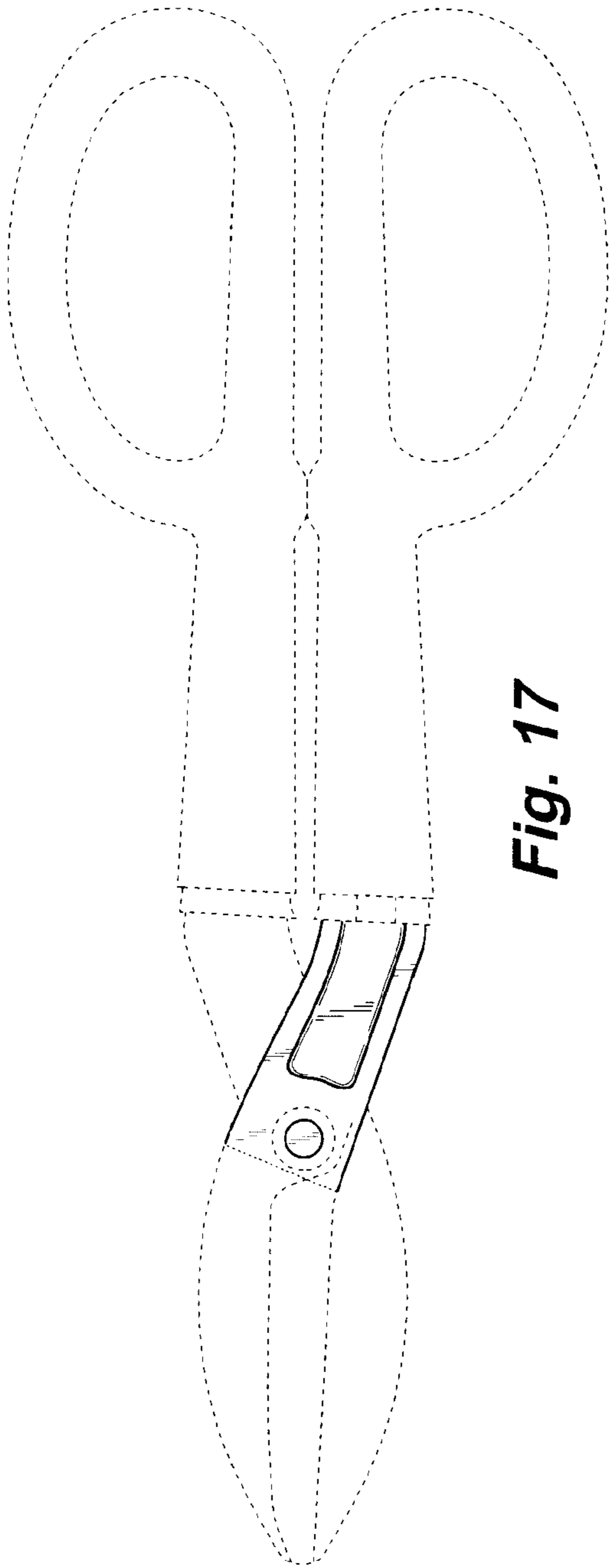


Fig. 17

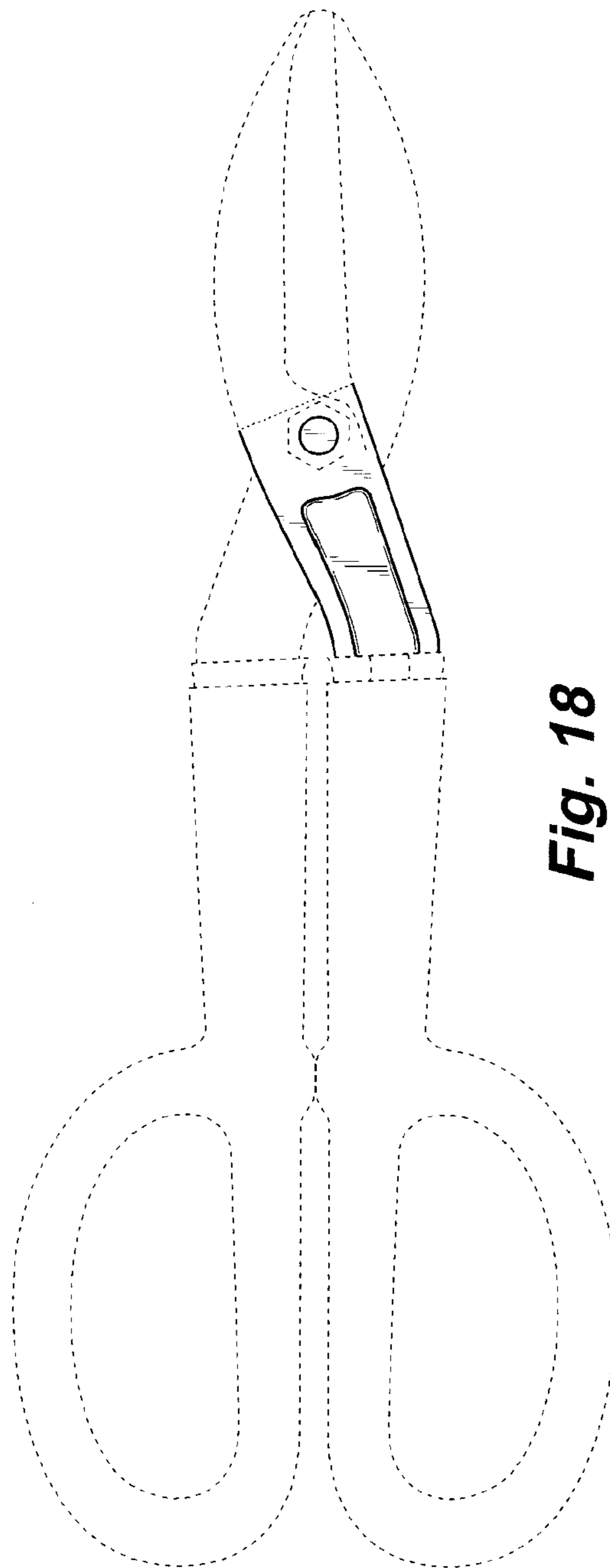


Fig. 18

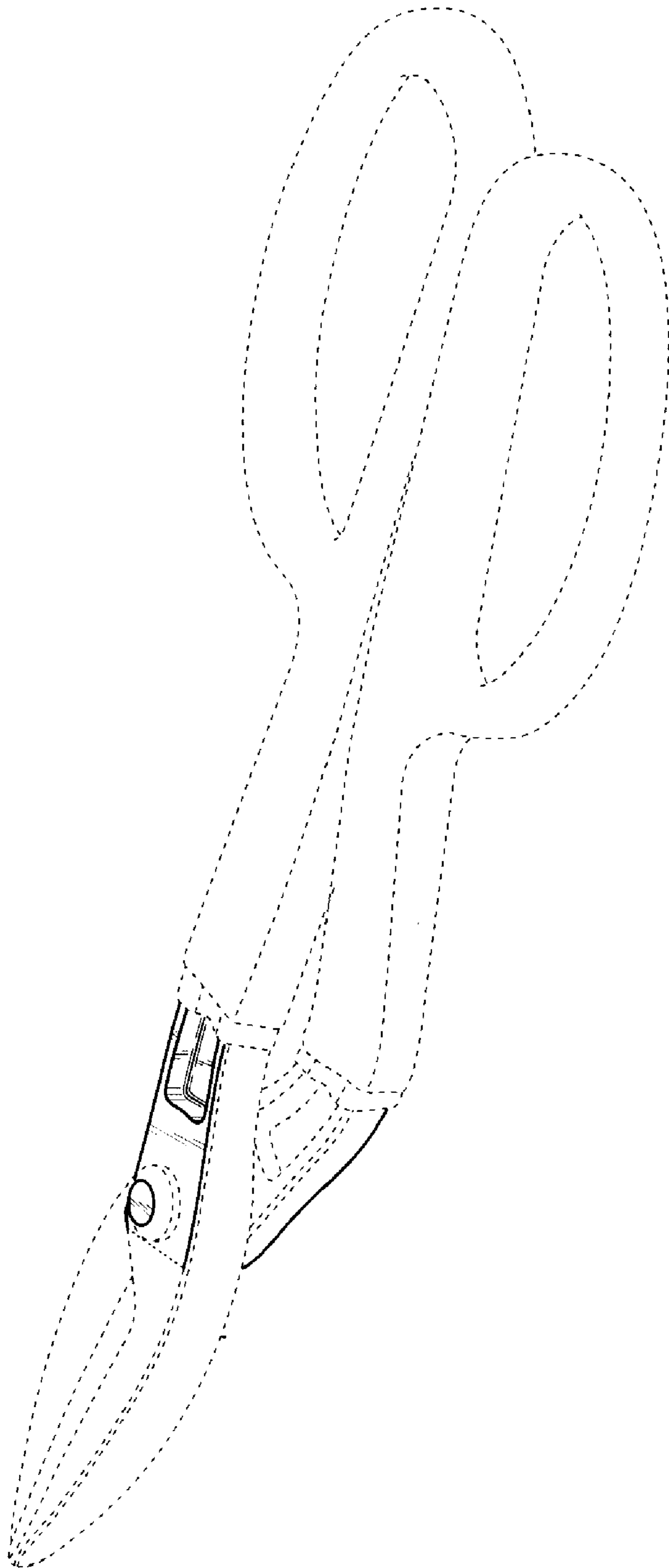


Fig. 19

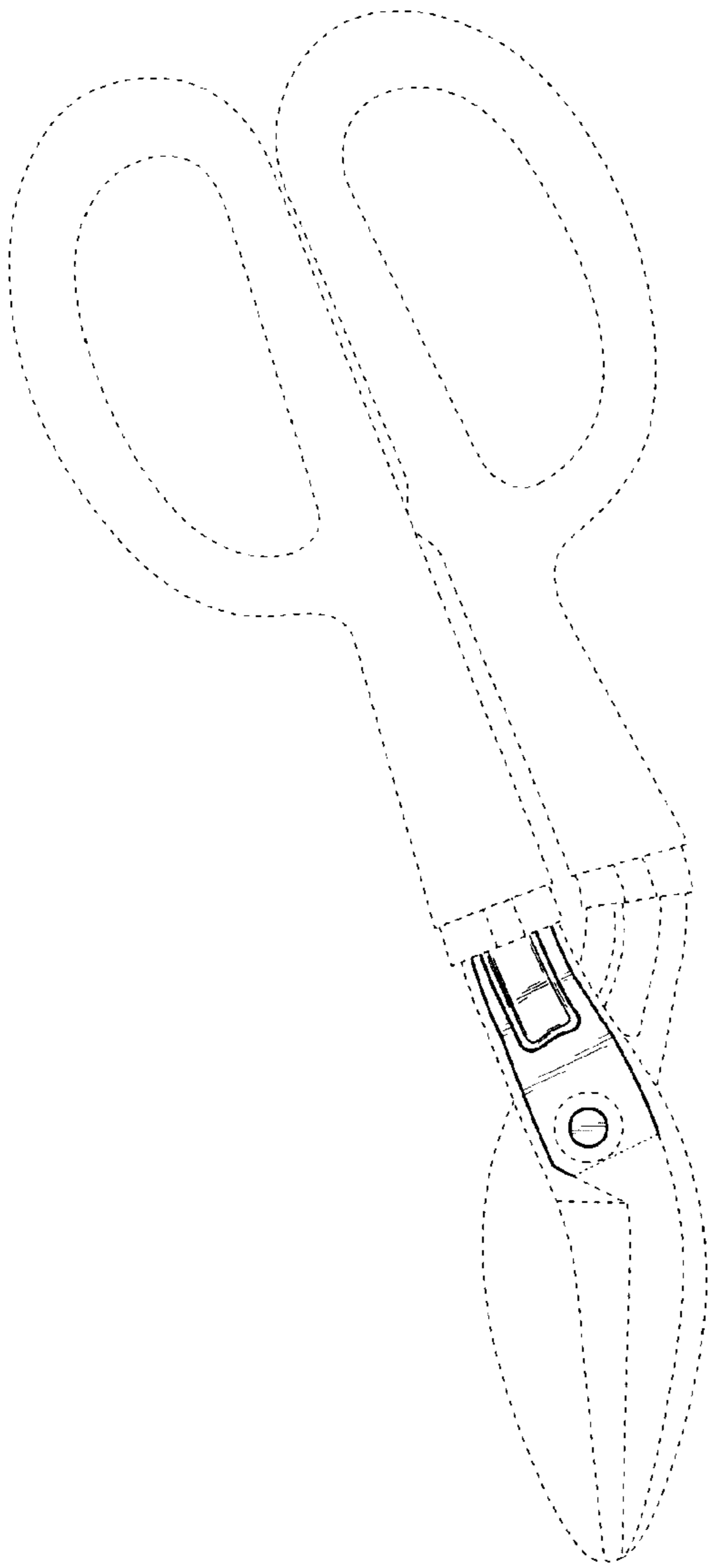


Fig. 20

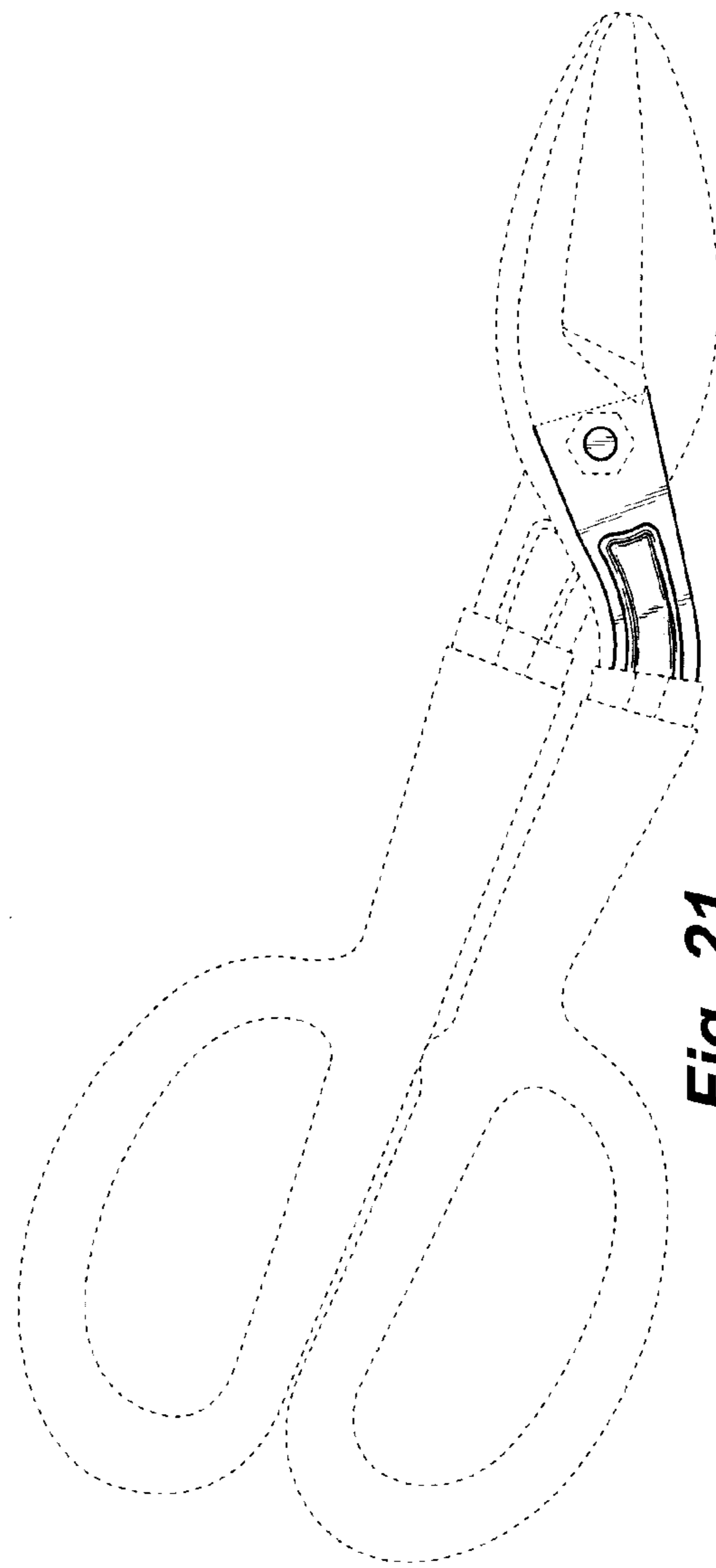


Fig. 21

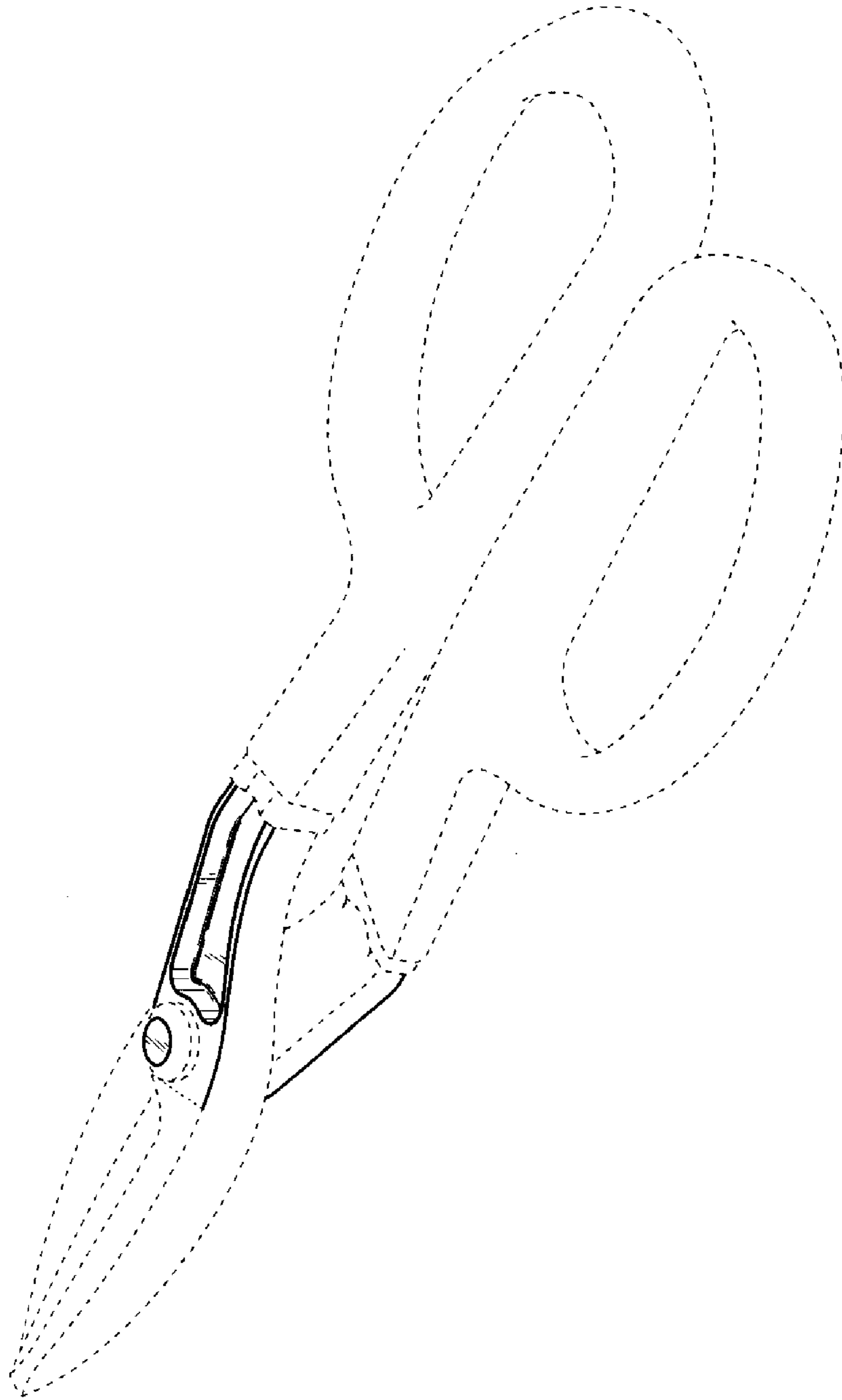


Fig. 22

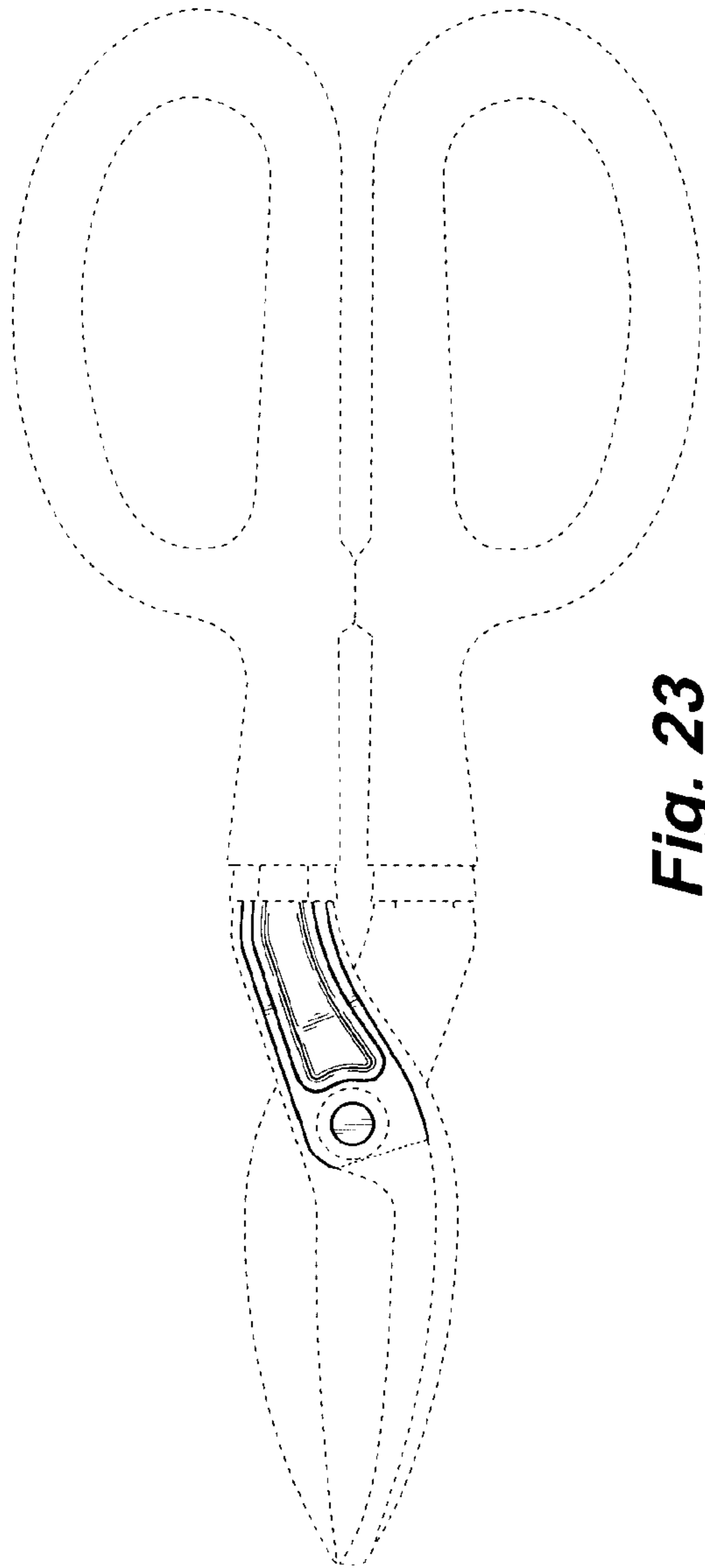


Fig. 23

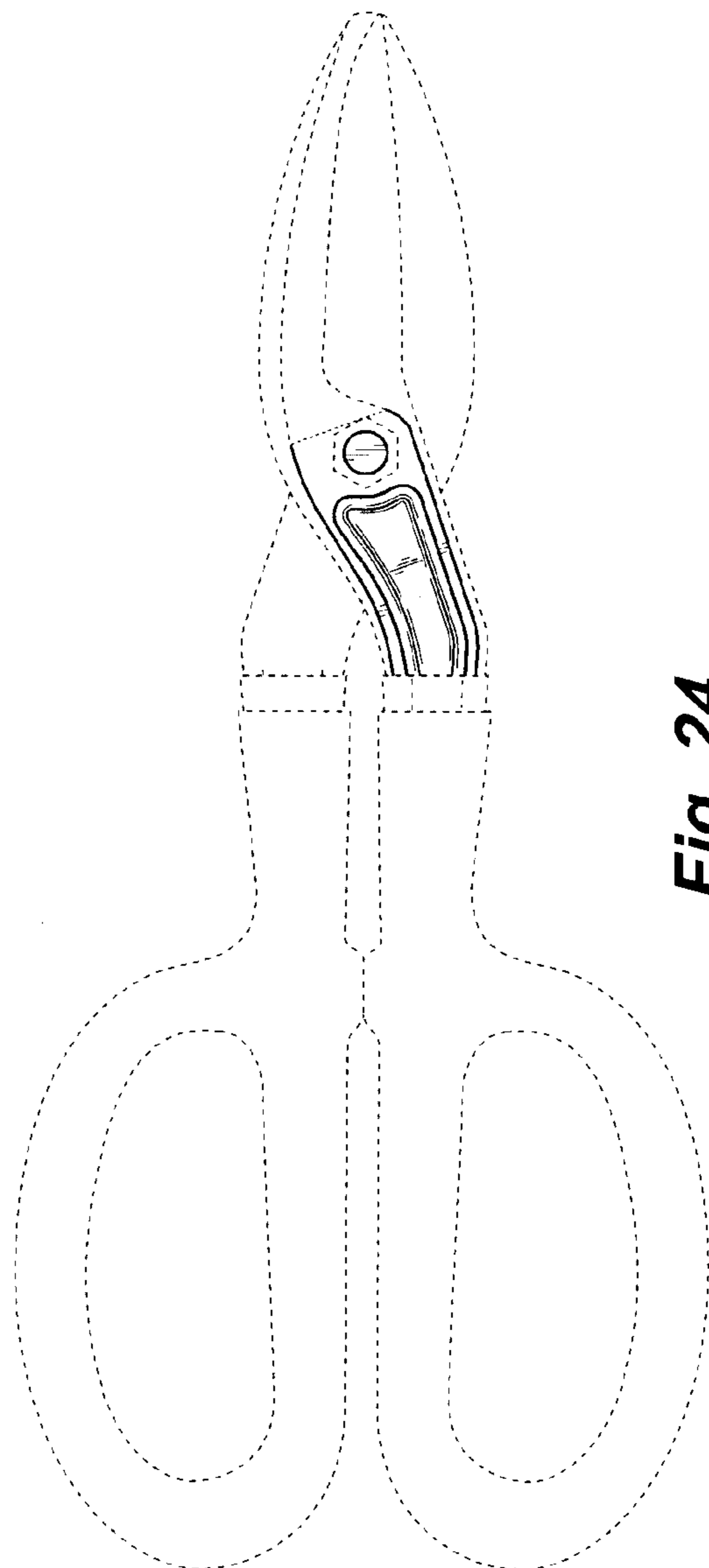


Fig. 24

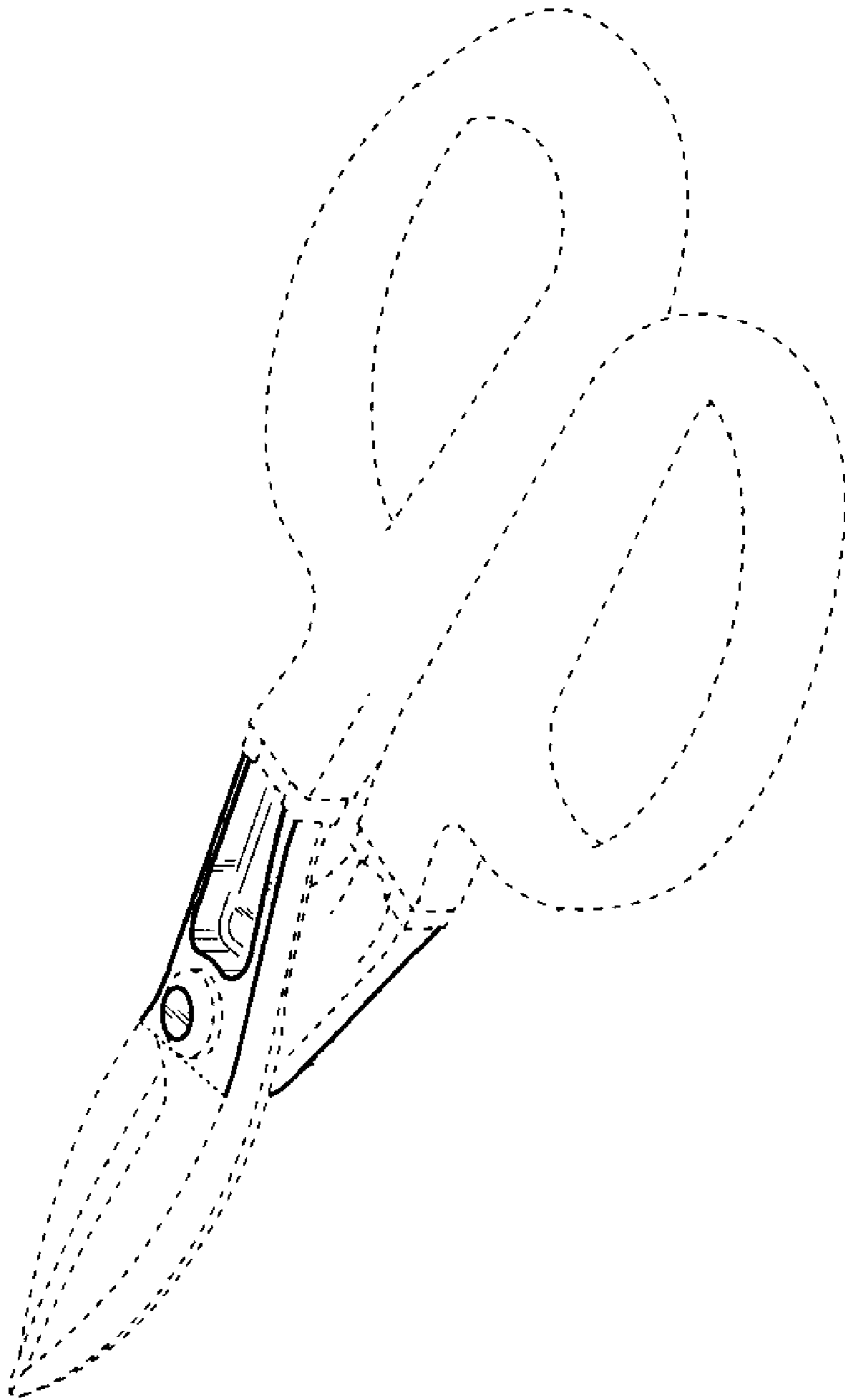


Fig. 25

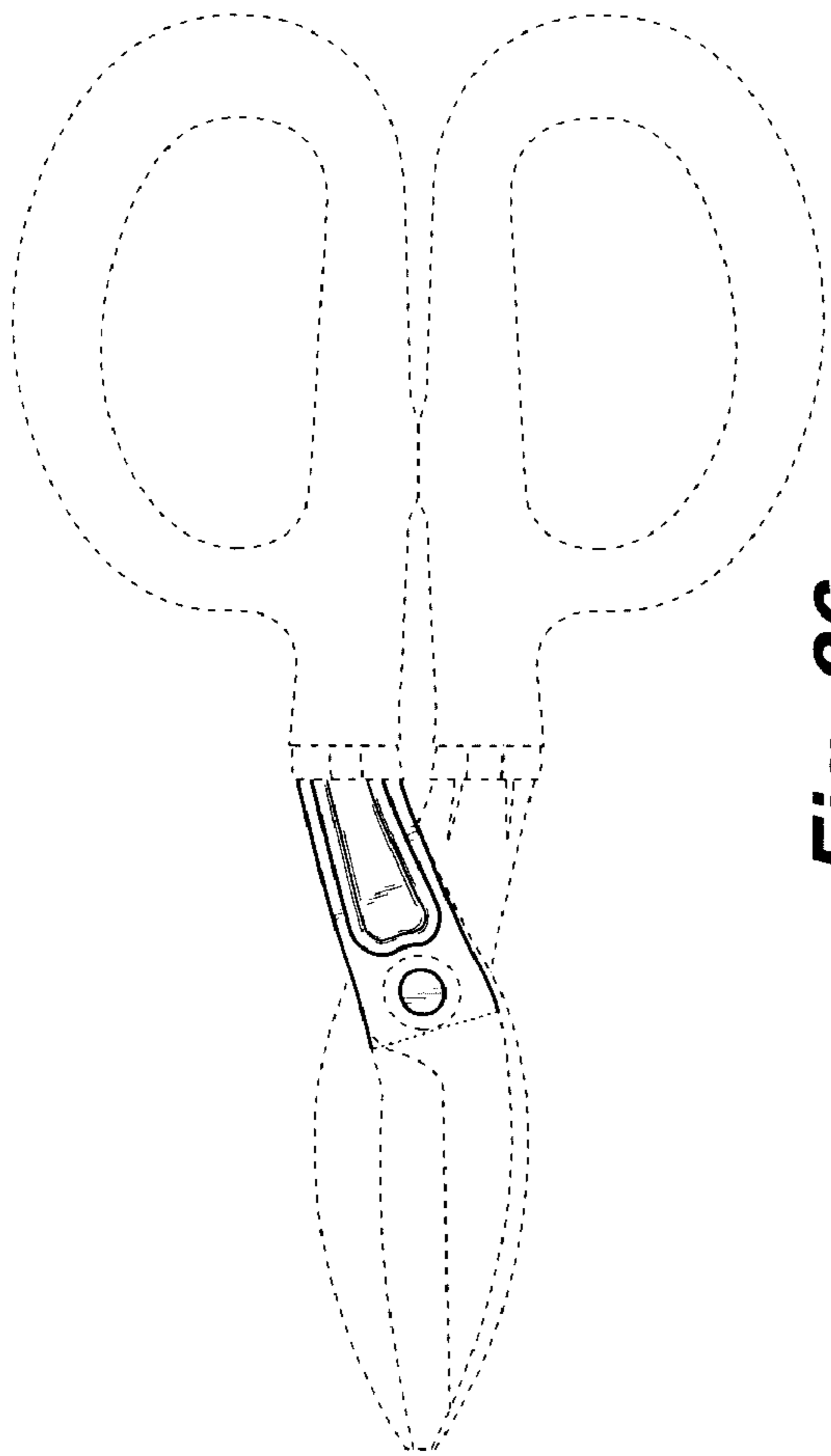


Fig. 26

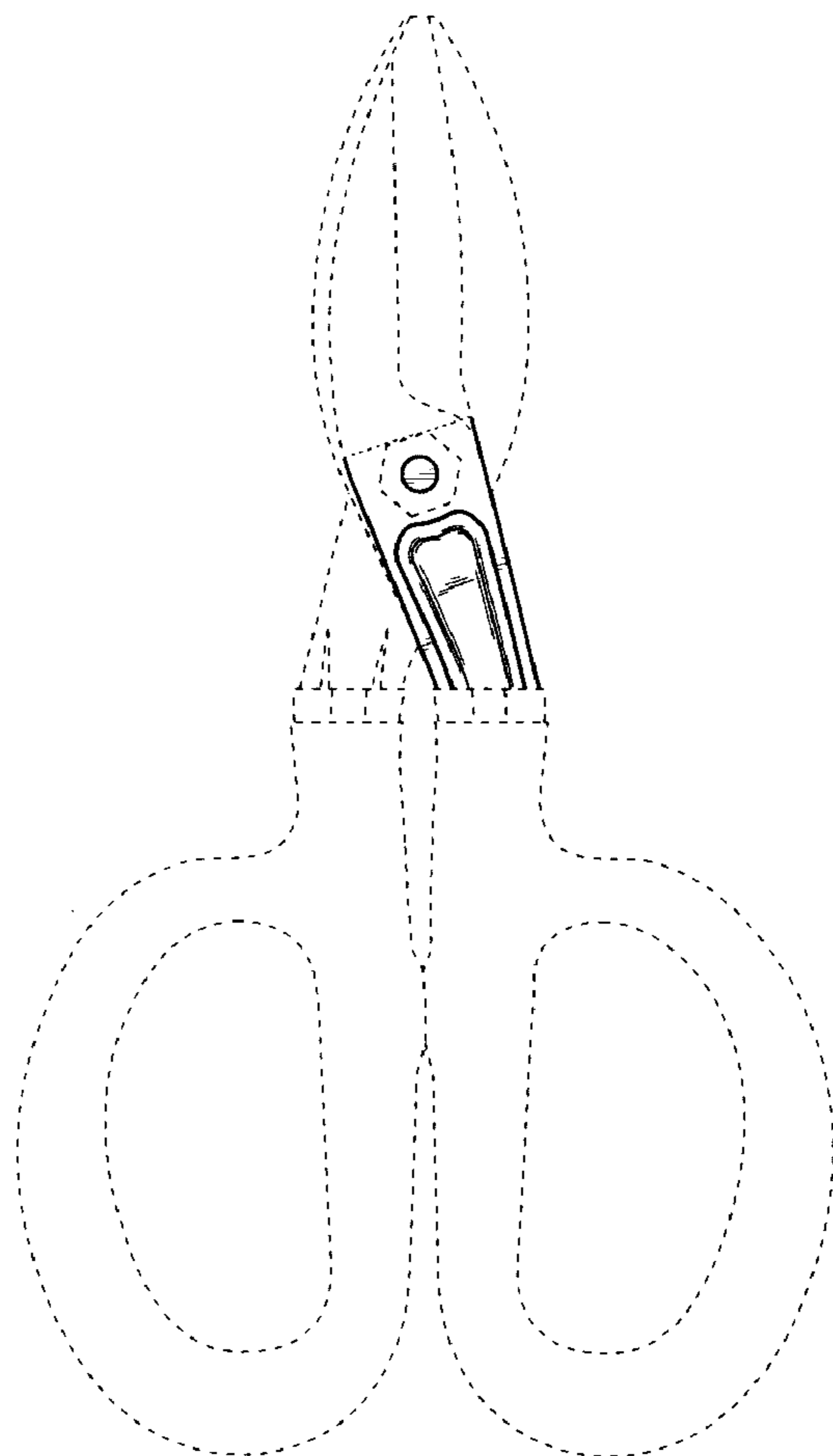


Fig. 27

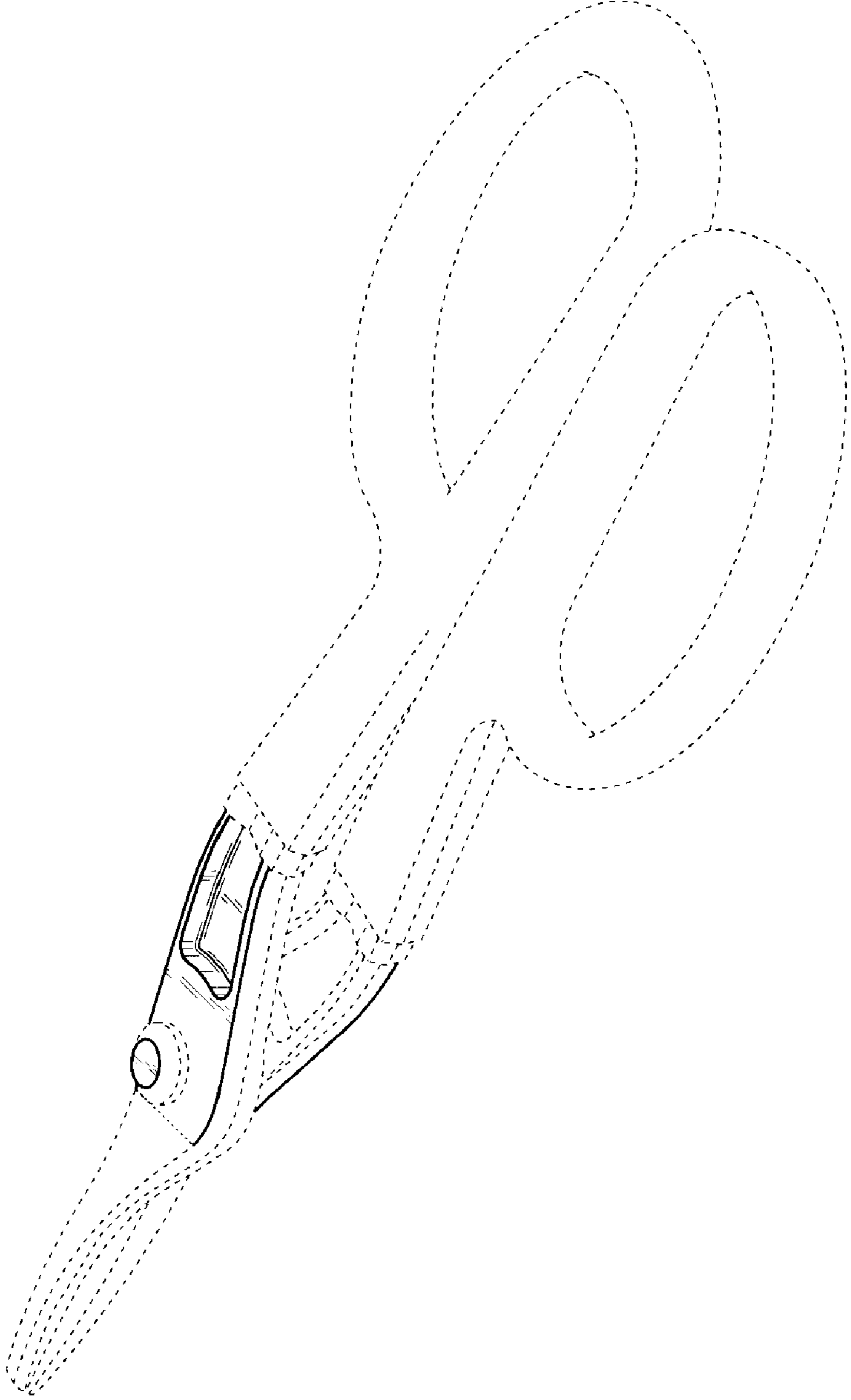


Fig. 28

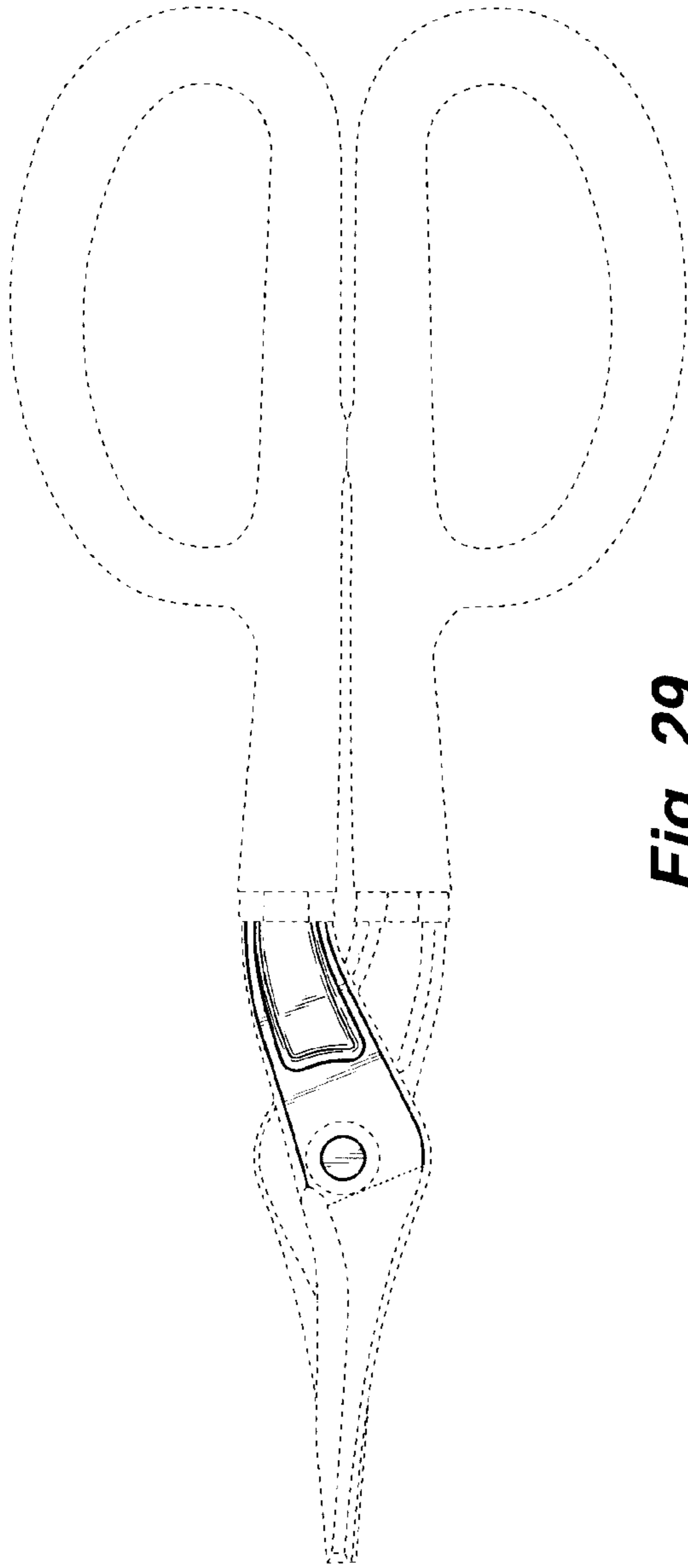


Fig. 29

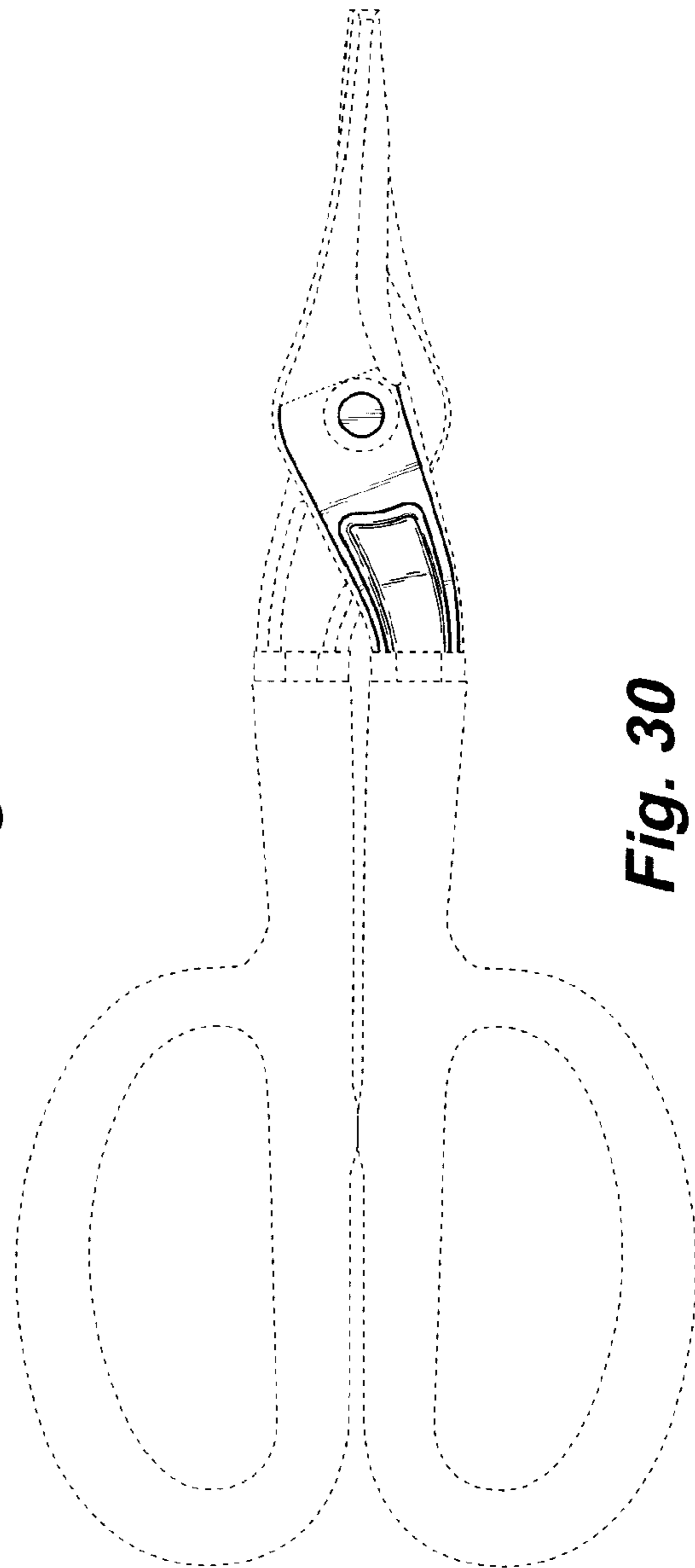


Fig. 30

UNITED STATES PATENT AND TRADEMARK OFFICE
CERTIFICATE OF CORRECTION

PATENT NO. : Des. 547,629 S
APPLICATION NO. : 29/245014
DATED : July 31, 2007
INVENTOR(S) : Jonathan S. Beckwith

Page 1 of 22

It is certified that error appears in the above-identified patent and that said Letters Patent is hereby corrected as shown below:

The Title Page, showing an illustrative figure, should be deleted and substitute therefor the attached title page.

Delete Drawing sheets 1-20, and substitute therefor the Drawing sheets, consisting of Fig. 1-30, as shown on the attached pages.

Signed and Sealed this

First Day of September, 2009

A handwritten signature in black ink that reads "David J. Kappos". The signature is written in a cursive style with a large initial 'D' and 'K'.

David J. Kappos
Director of the United States Patent and Trademark Office

(12) **United States Design Patent**
Beckwith

(10) **Patent No.:** **US D547,629 S**
(45) **Date of Patent:** **** Jul. 31, 2007**

(54) **PORTION OF HAND TOOL**

(75) **Inventor:** **Jonathan S. Beckwith, Raleigh, NC (US)**

(73) **Assignee:** **Cooper Brands, Inc., Houston, TX (US)**

(**) **Term:** **14 Years**

(21) **Appl. No.:** **29/245,014**

(22) **Filed:** **Dec. 16, 2005**

(51) **LOC (8) Cl.** **08-03**

(52) **U.S. Cl.** **D8/57**

(58) **Field of Classification Search** **D8/51, D8/52, 57, 107; D24/133, 147, 148; 30/194, 30/231, 232, 175, 235, 233; 81/415, 416**
 See application file for complete search history.

(56) **References Cited**

U.S. PATENT DOCUMENTS

- 3,874,578 A * 4/1975 Derr et al. 227/144
- 3,894,451 A * 7/1975 Putsch 81/424.5
- 4,234,987 A * 11/1980 Charette 7/139
- D267,773 S * 2/1983 Linden D8/57
- D269,207 S * 5/1983 Marlowe D24/143
- D285,167 S * 8/1986 Porat et al. D8/57
- D457,040 S * 5/2002 Hirschfeld D8/52
- D503,322 S * 3/2005 Albertson D8/55
- D511,279 S * 11/2005 Albertson D8/26

OTHER PUBLICATIONS

Photographs of various older versions of Wiss® Tinner's Snips publically available at least as early as Jan. 1, 1970, 6 pages.

* cited by examiner

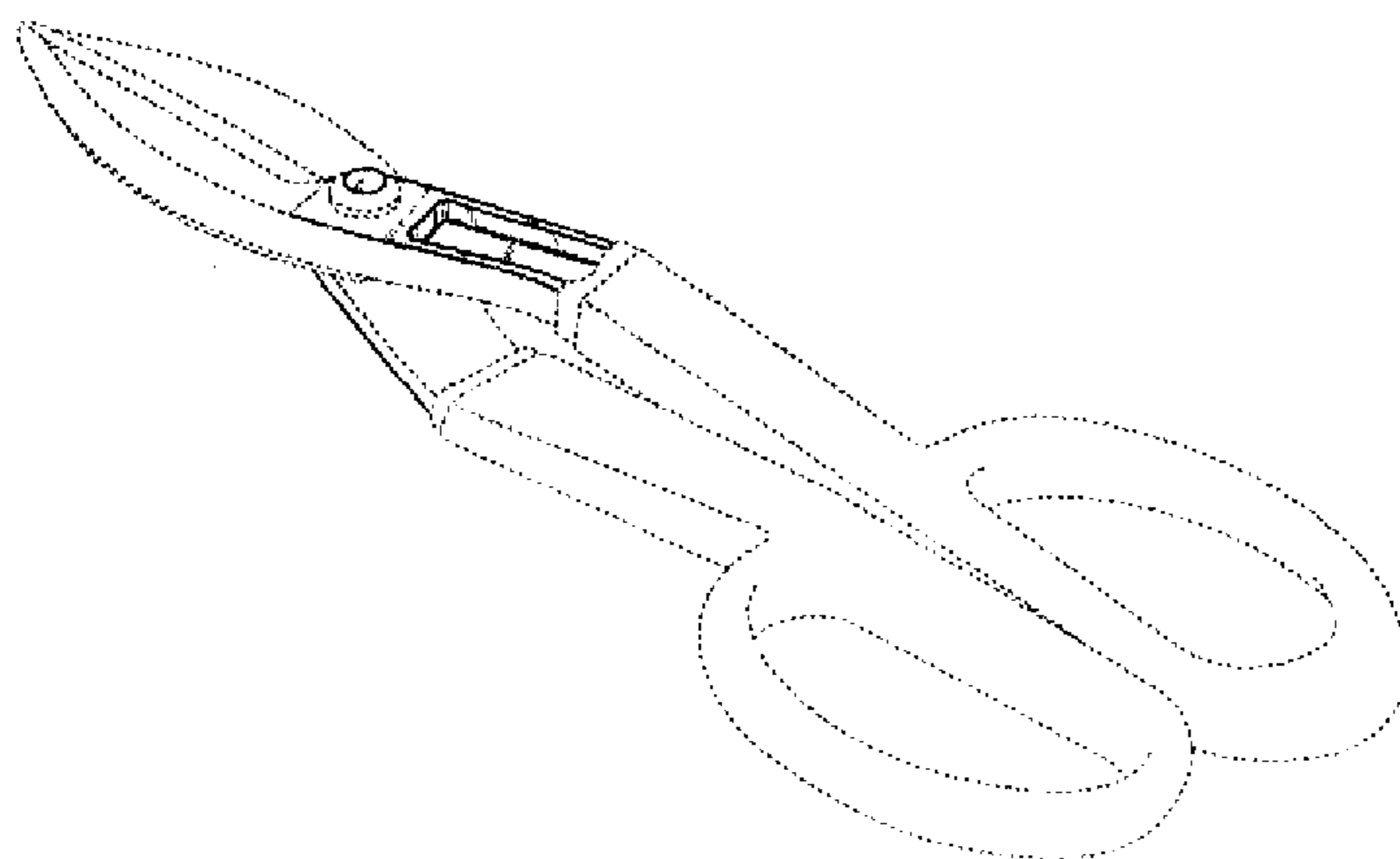
Primary Examiner—Alan P. Douglas
Assistant Examiner—Deanna Fluegeman
(74) *Attorney, Agent, or Firm*—SAIDMAN DesignLaw Group

(57) **CLAIM**

The ornamental design for a portion of hand tool, as shown and described.

DESCRIPTION

FIG. 1 is a perspective view of a first embodiment of a portion of hand tool showing my new design;
 FIG. 2 is a front view thereof;
 FIG. 3 is a rear view thereof;
 FIG. 4 is a perspective view of a second embodiment of a portion of hand tool showing my new design;
 FIG. 5 is a front view thereof;
 FIG. 6 is a rear view thereof;
 FIG. 7 is a perspective view of a third embodiment of a portion of hand tool showing my new design;
 FIG. 8 is a front view thereof;
 FIG. 9 is a rear view thereof; and
 FIG. 10 is a perspective view of a fourth embodiment of a portion of hand tool showing my new design;
 FIG. 11 is a front view thereof;
 FIG. 12 is a rear view thereof;
 FIG. 13 is a perspective view of a fifth embodiment of a portion of hand tool showing my new design;
 FIG. 14 is a front view thereof;
 FIG. 15 is a rear view thereof;
 FIG. 16 is a perspective view of a sixth embodiment of a portion of hand tool showing my new design;
 FIG. 17 is a front view thereof;
 FIG. 18 is a rear view thereof;
 FIG. 19 is a perspective view of a seventh embodiment of a portion of hand tool showing my new design;
 FIG. 20 is a front view thereof;
 FIG. 21 is a rear view thereof;
 FIG. 22 is a perspective view of an eighth embodiment of a portion of hand tool showing my new design;
 FIG. 23 is a front view thereof;



U.S. Patent

Jul. 31, 2007

Sheet 1 of 20

D547,629 S

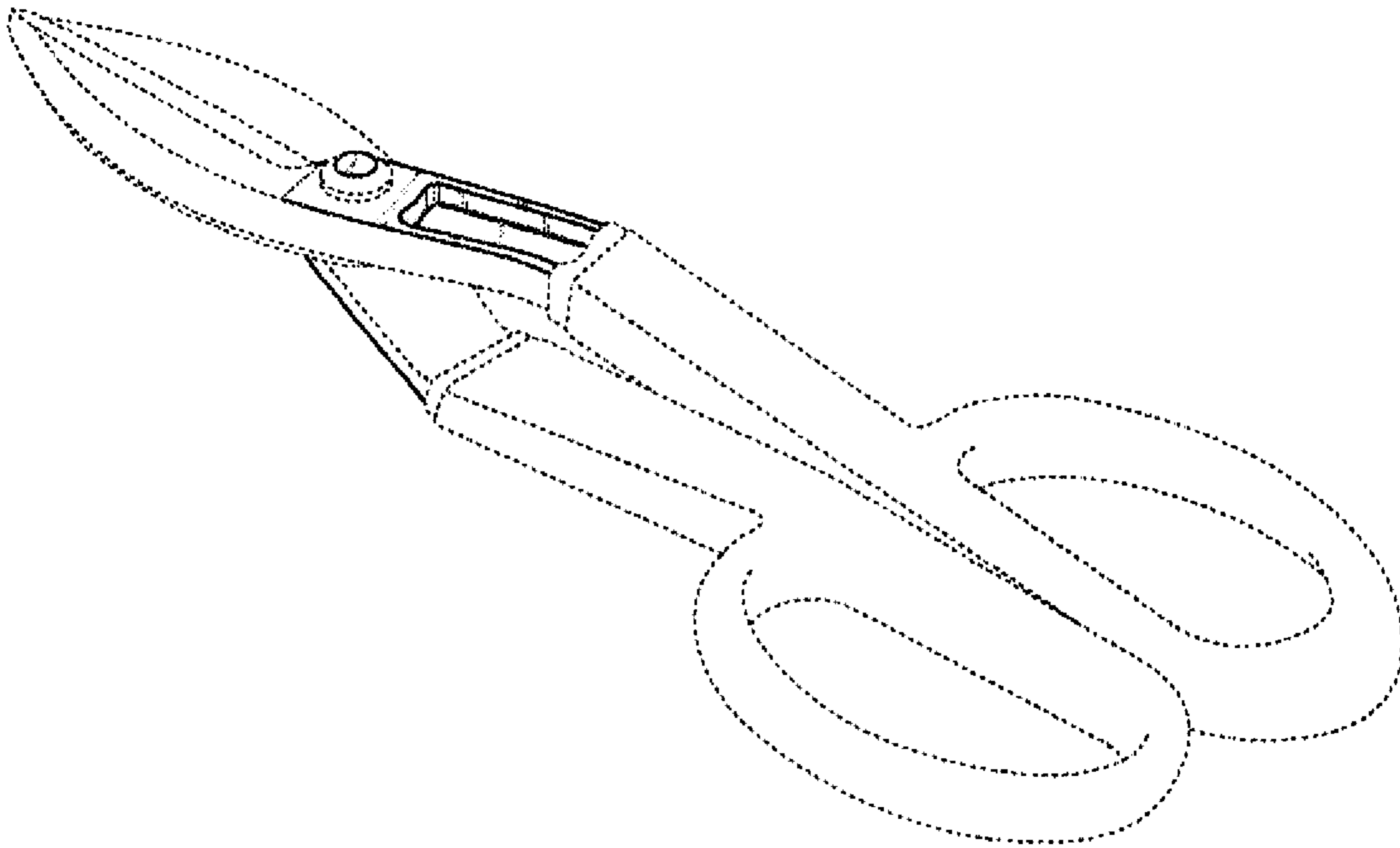


Fig. 1

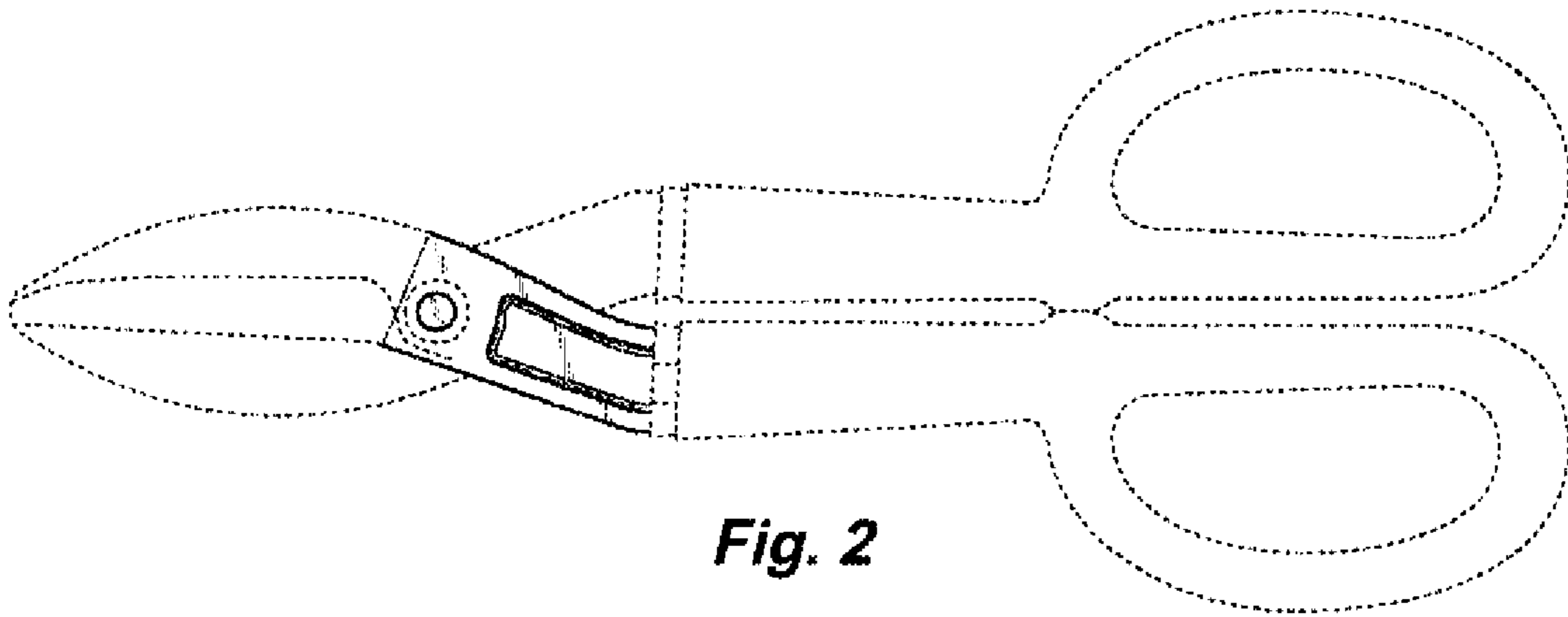


Fig. 2

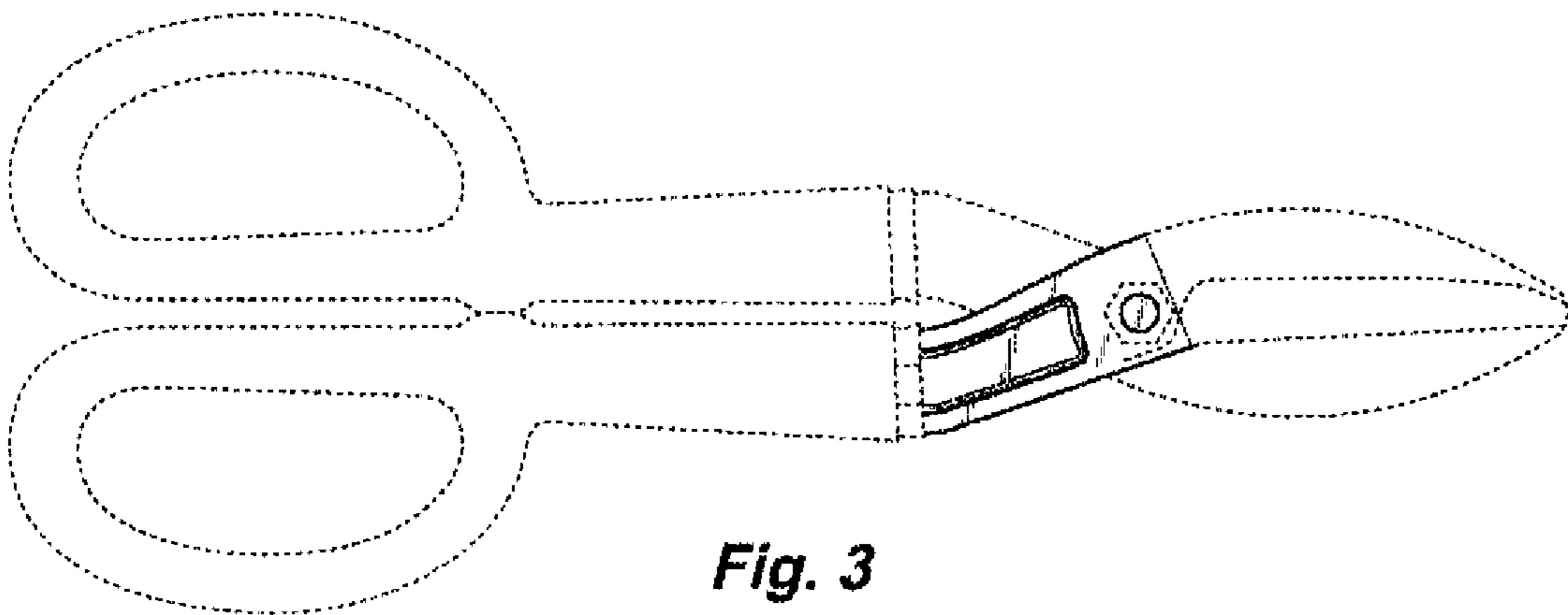


Fig. 3

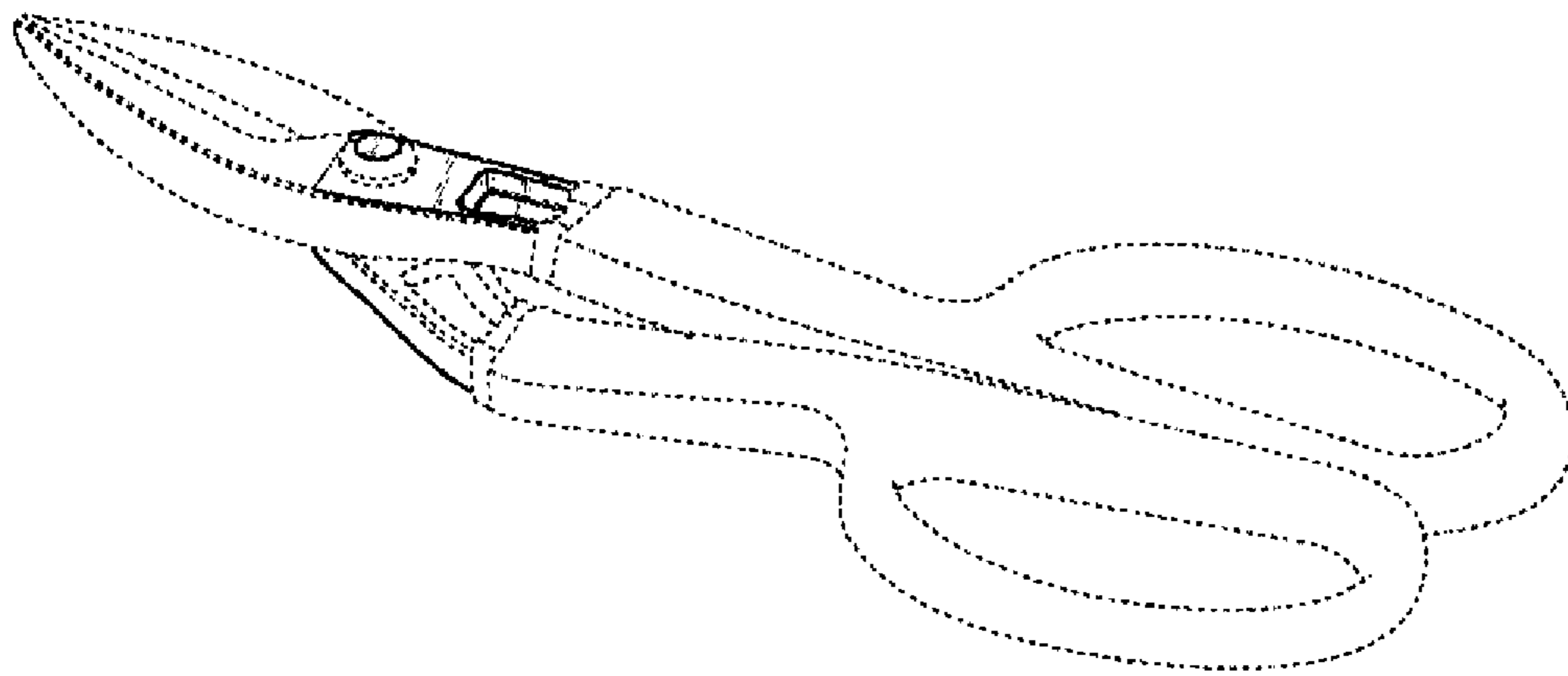


Fig. 4

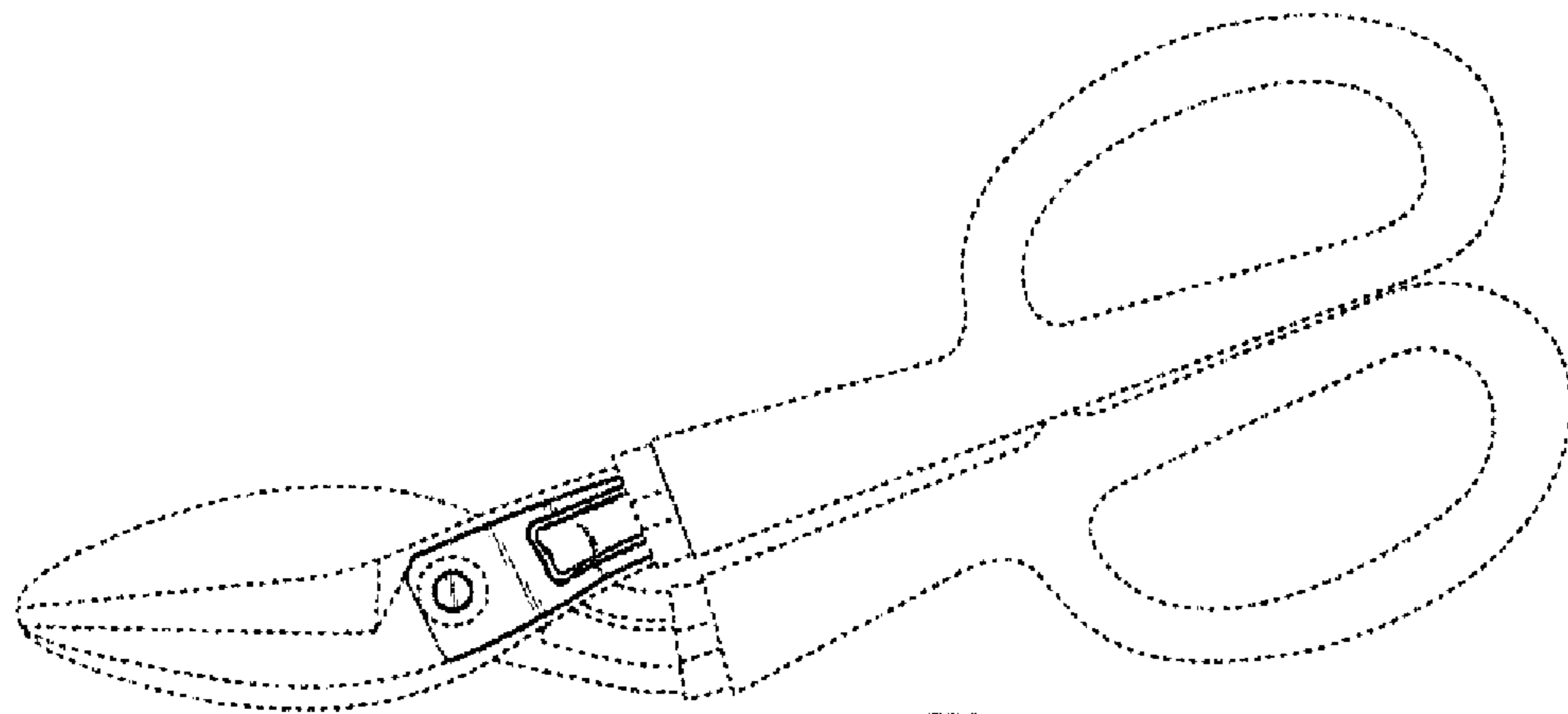


Fig. 5

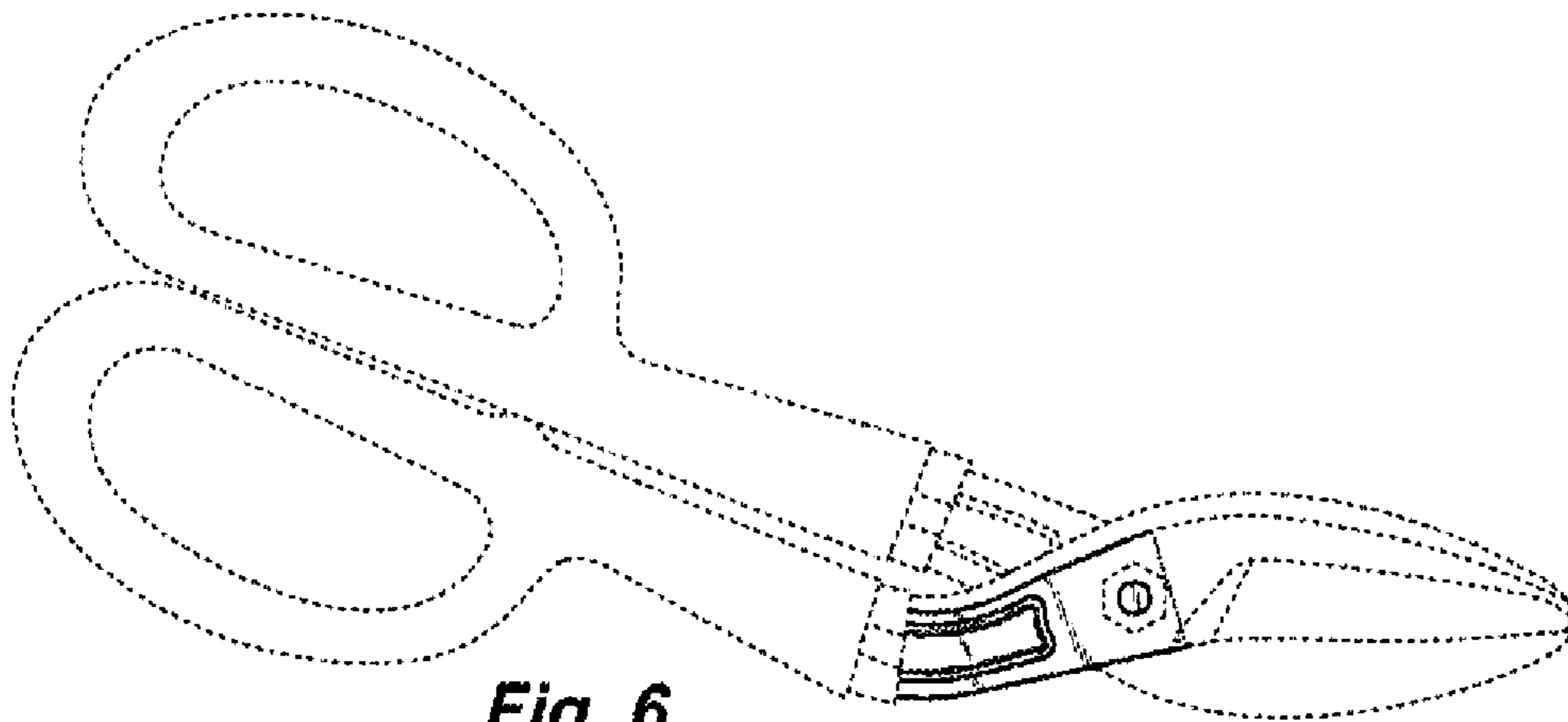


Fig. 6

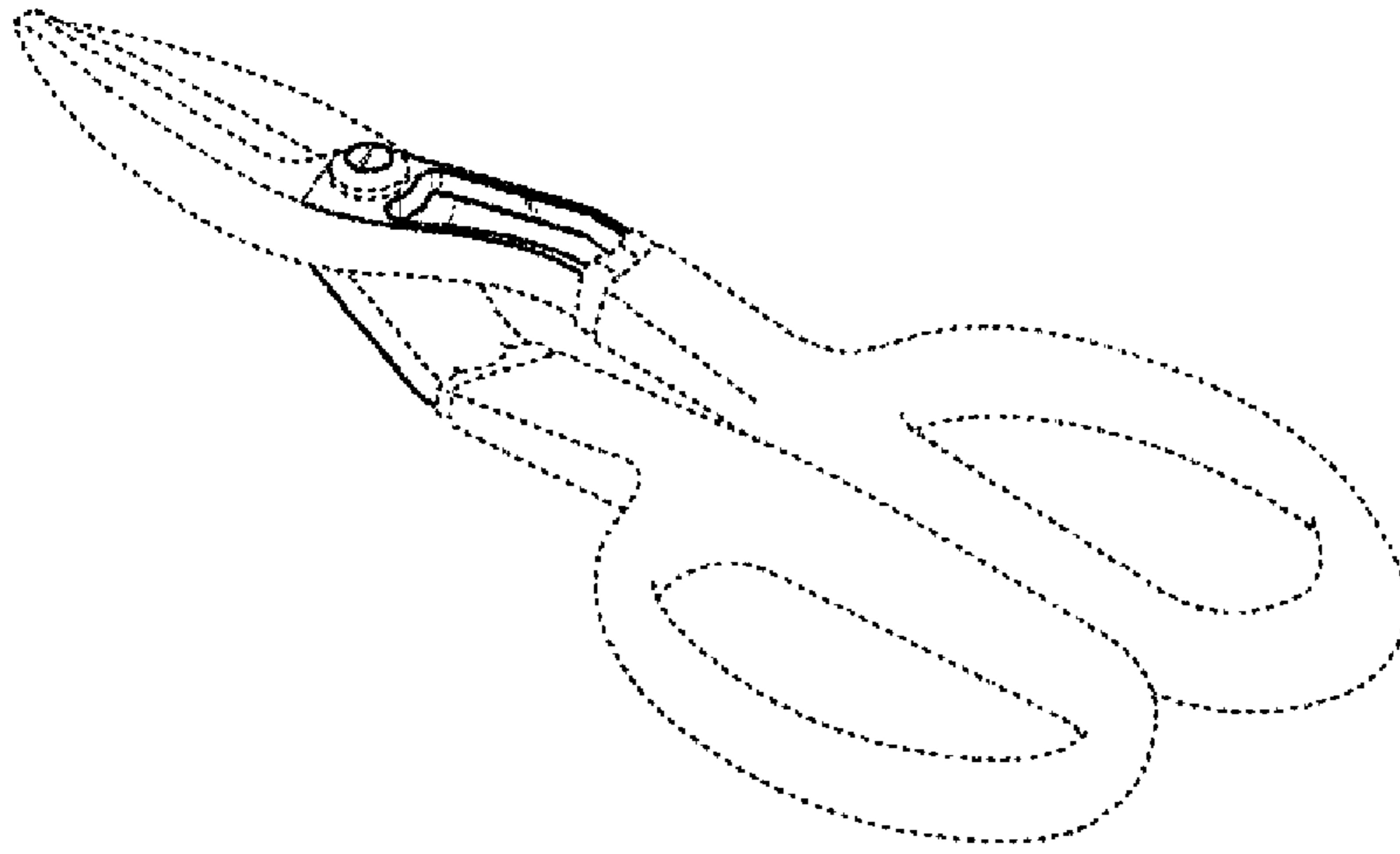


Fig. 7

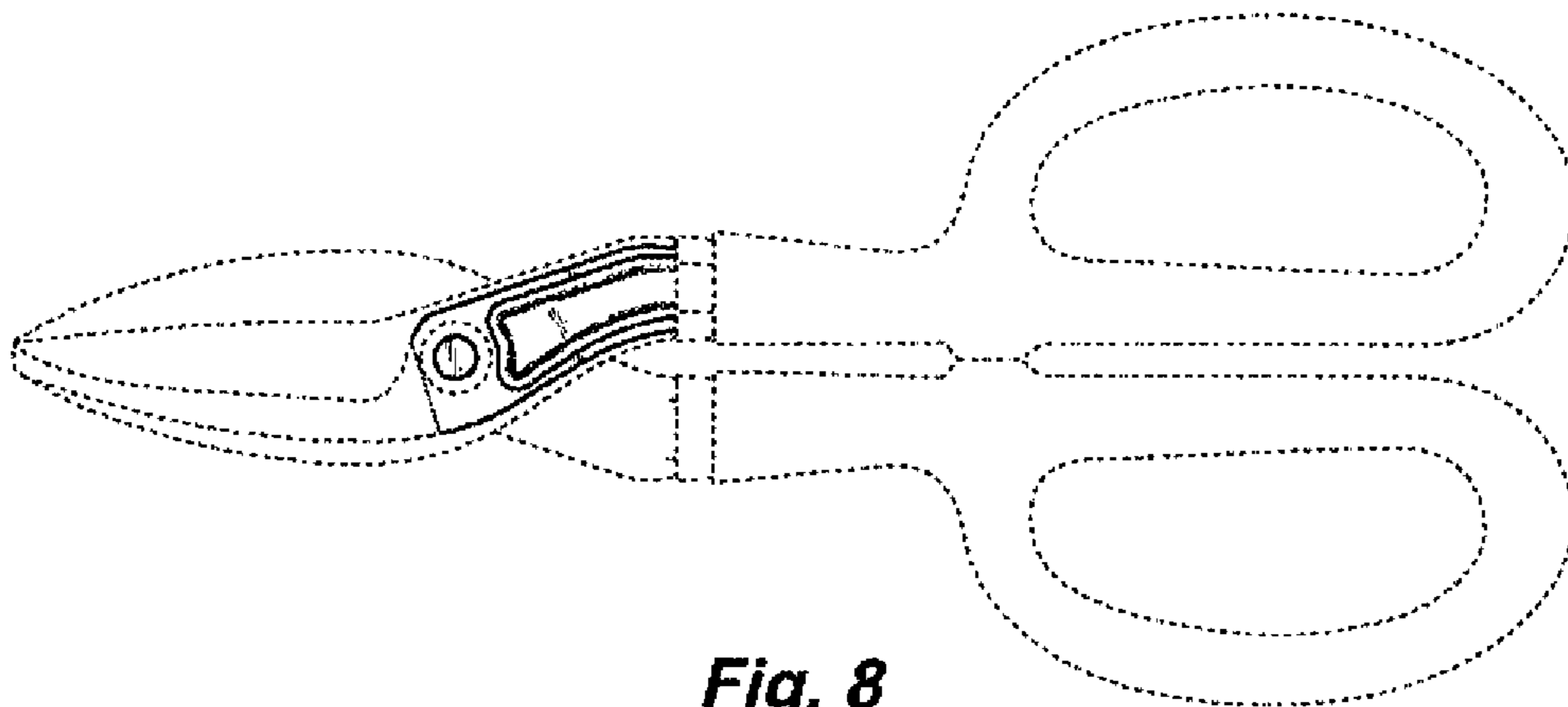


Fig. 8

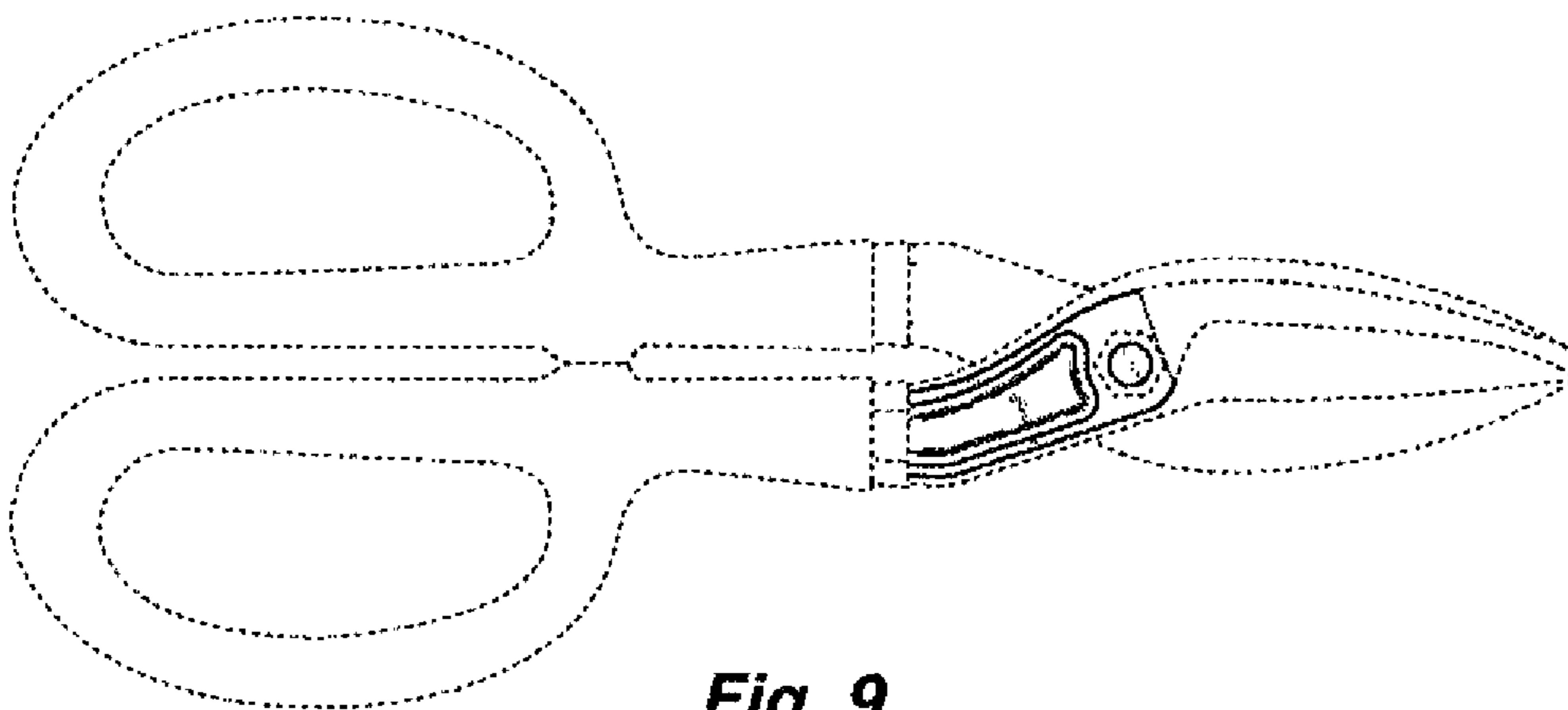


Fig. 9

U.S. Patent

Jul. 31, 2007

Sheet 7 of 20

D547,629 S

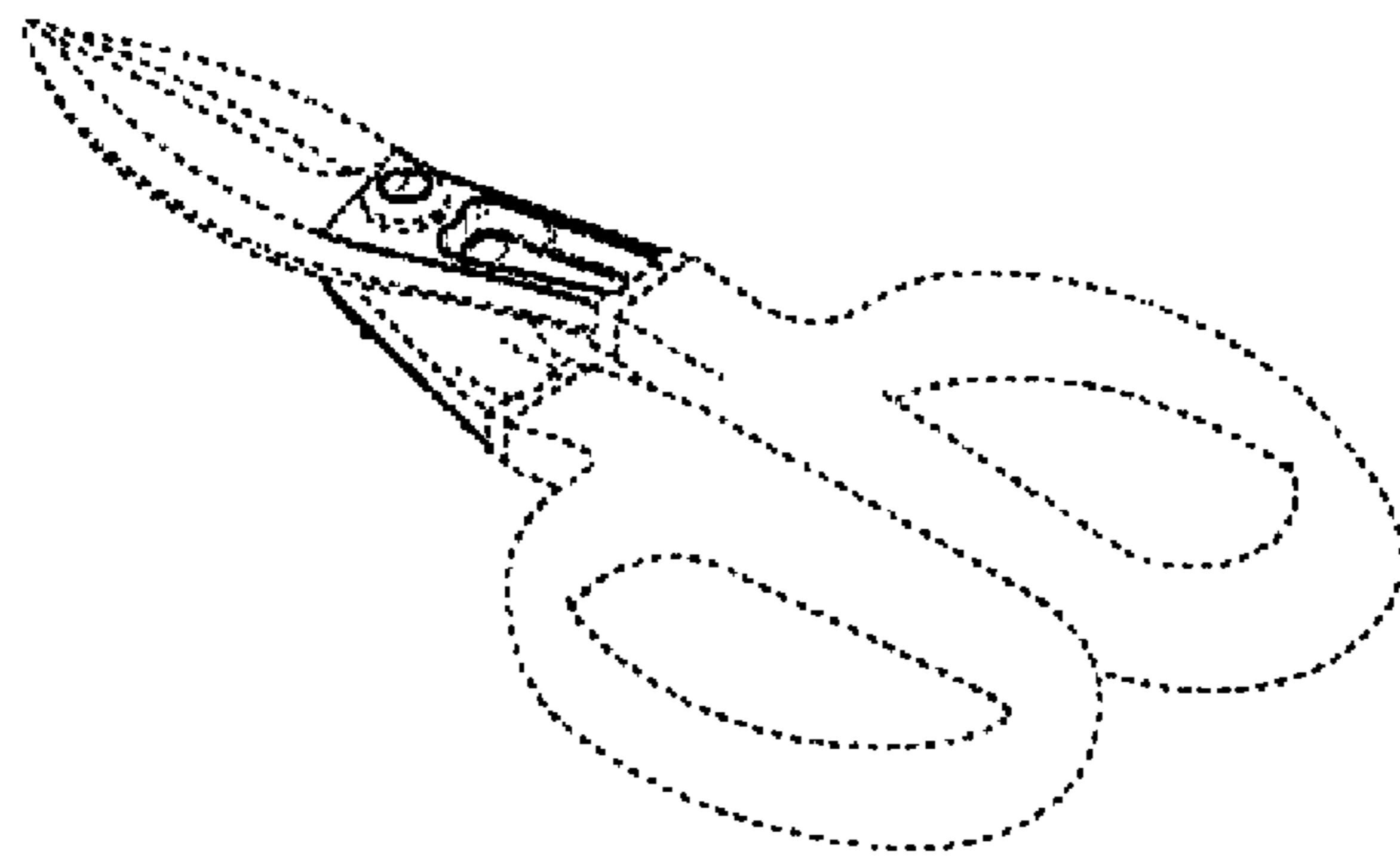


Fig. 10

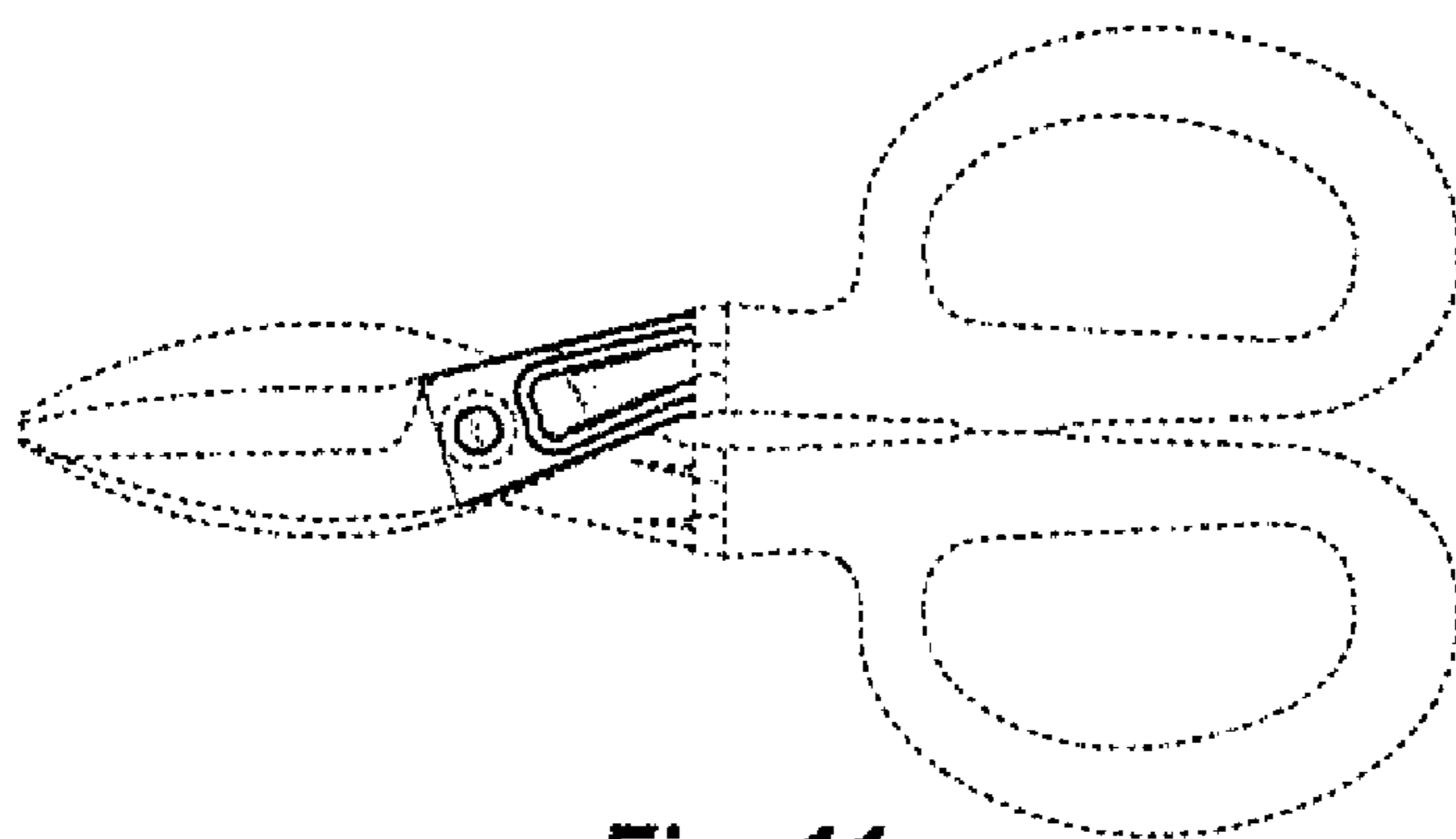


Fig. 11

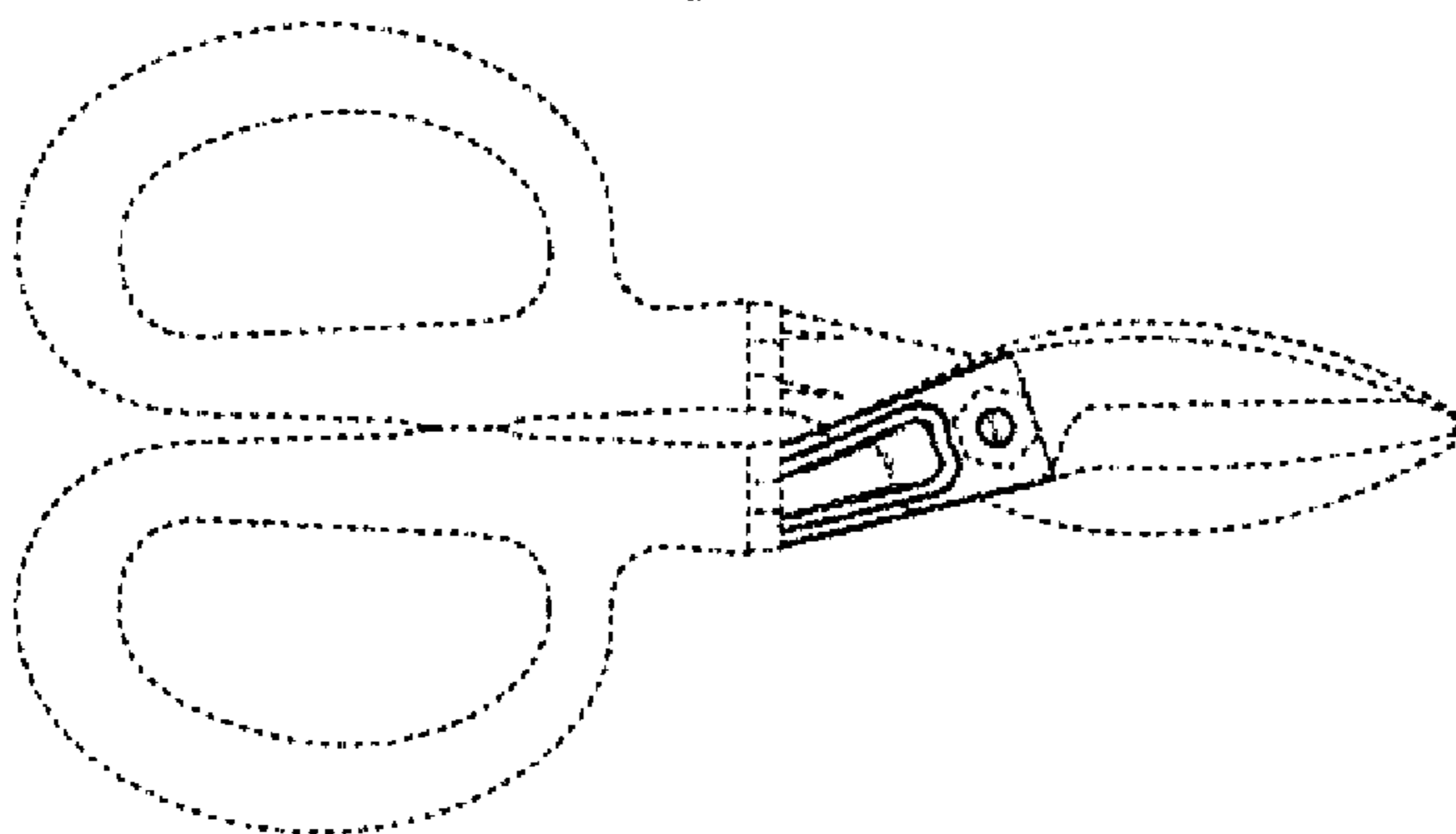


Fig. 12

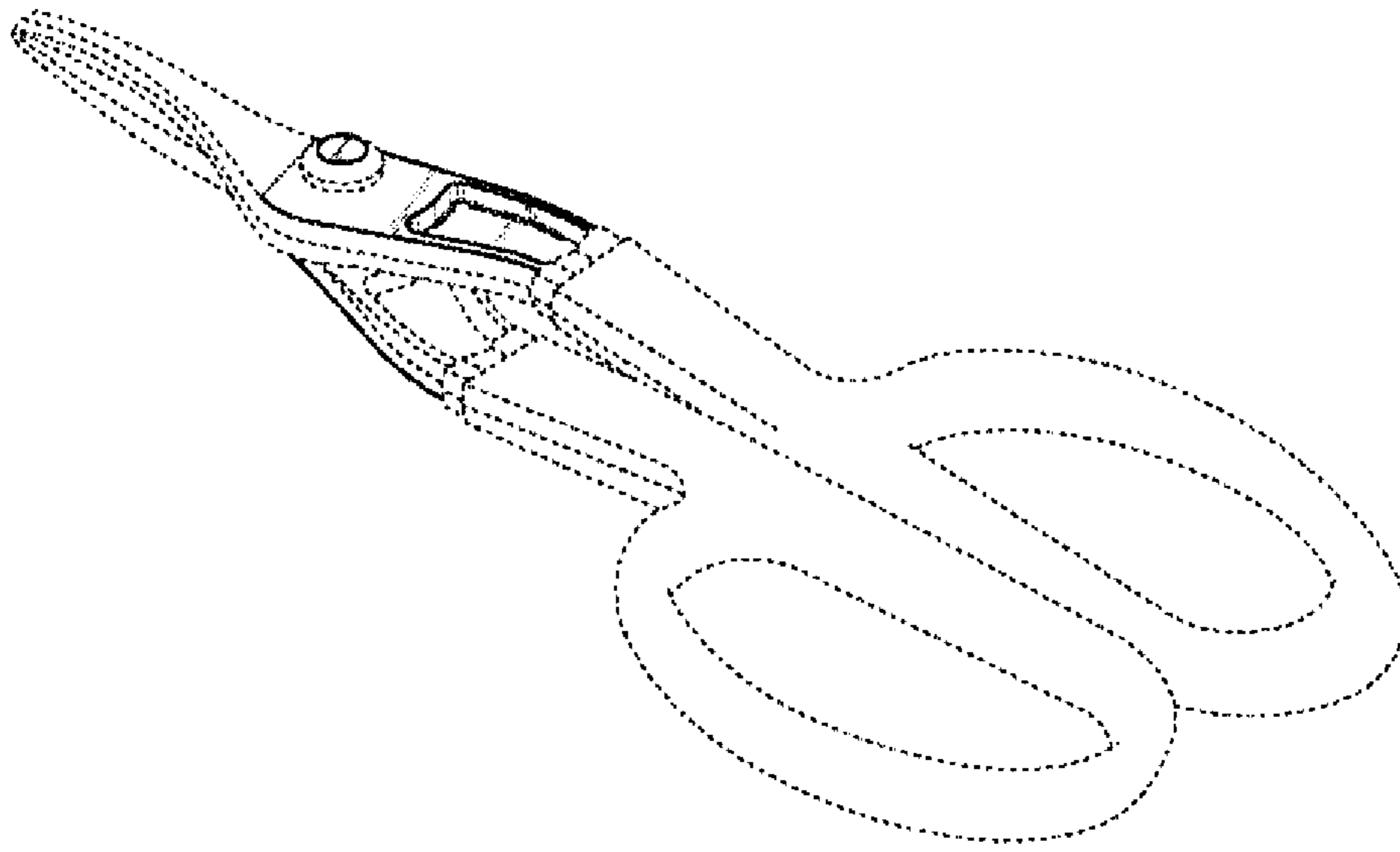


Fig. 13

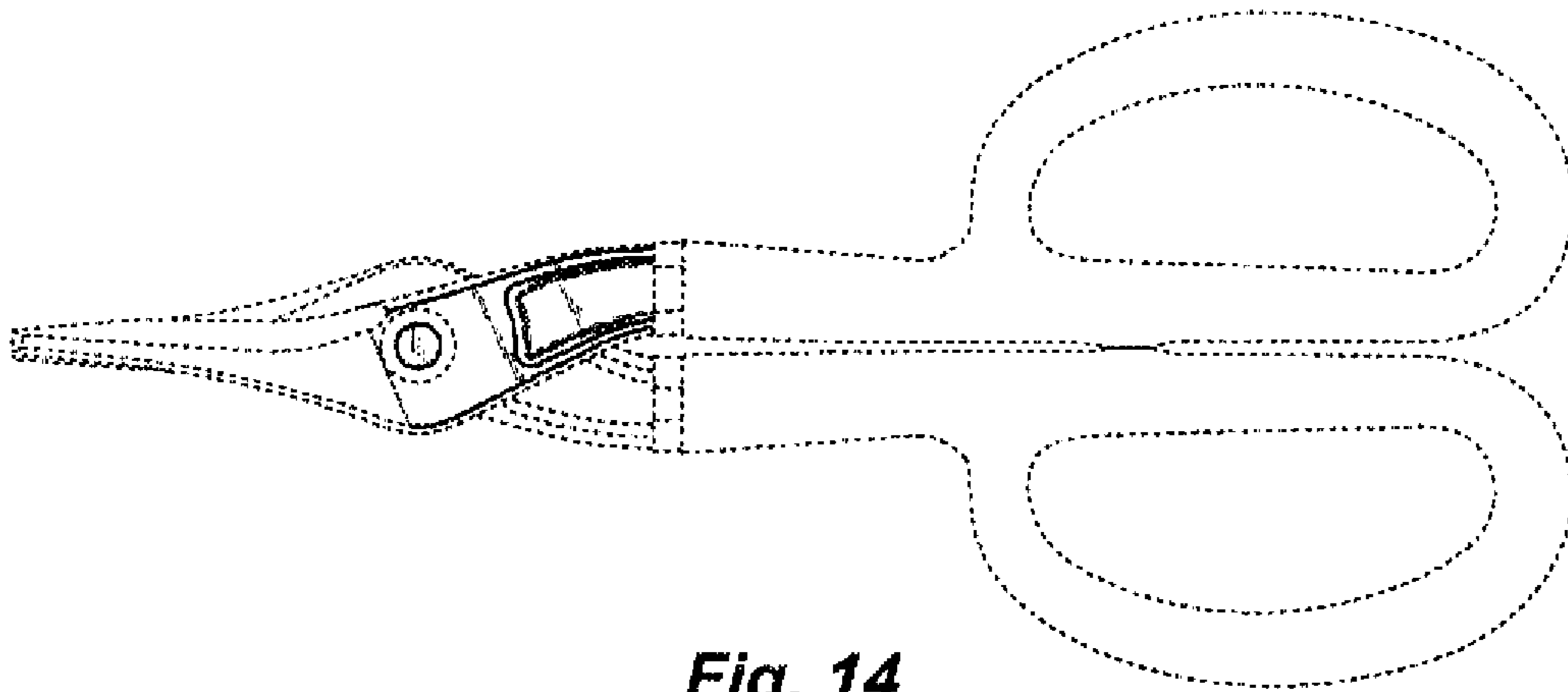


Fig. 14

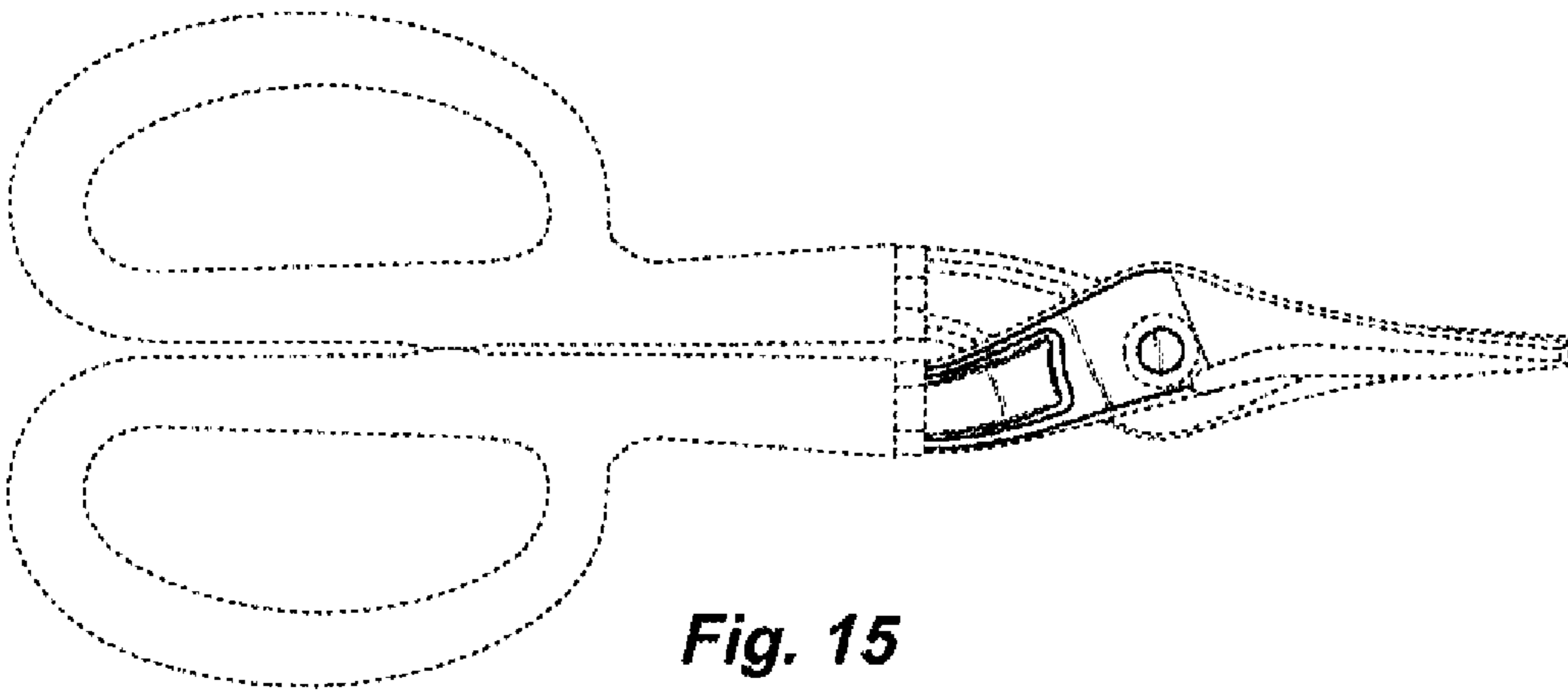


Fig. 15

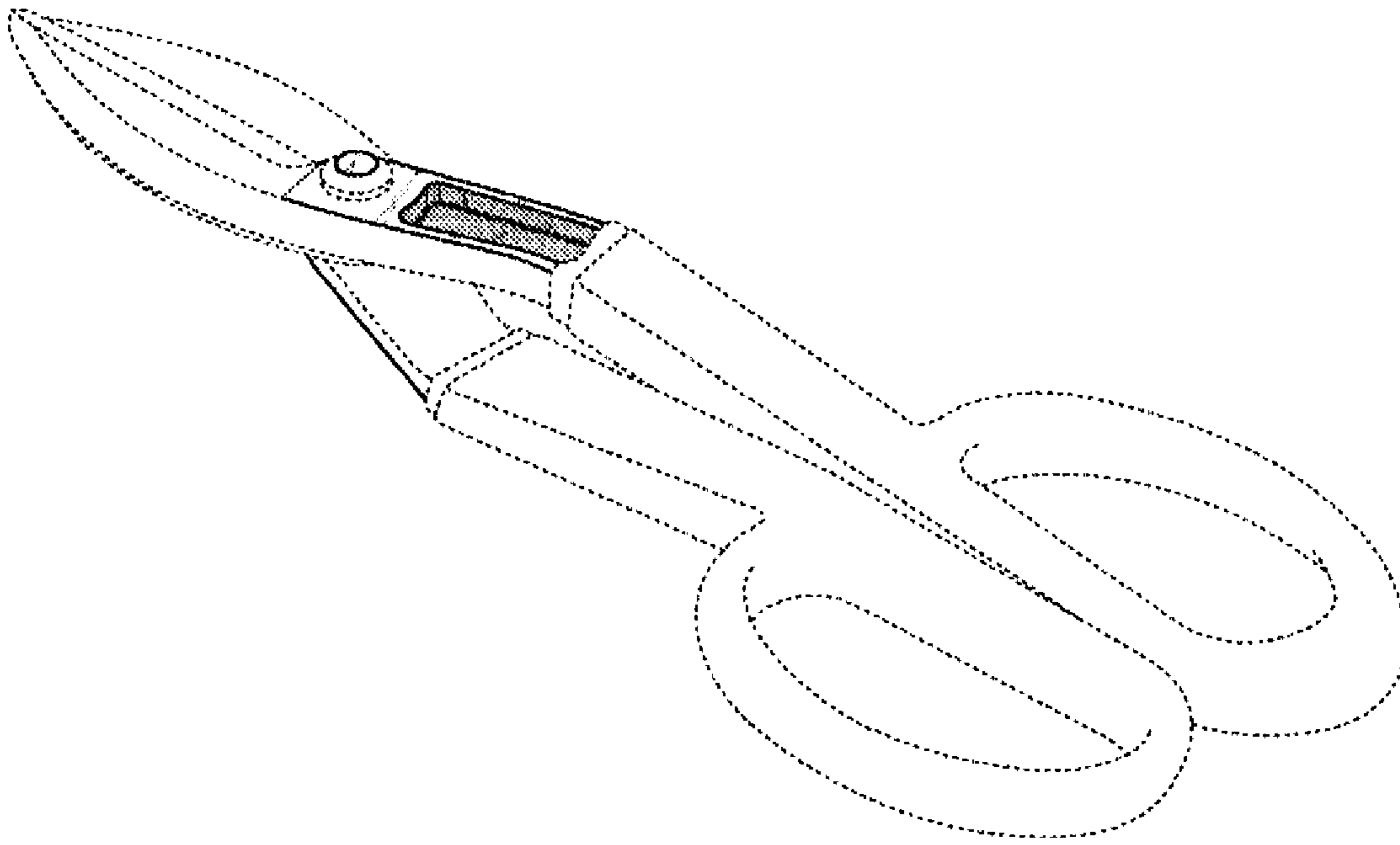


Fig. 16

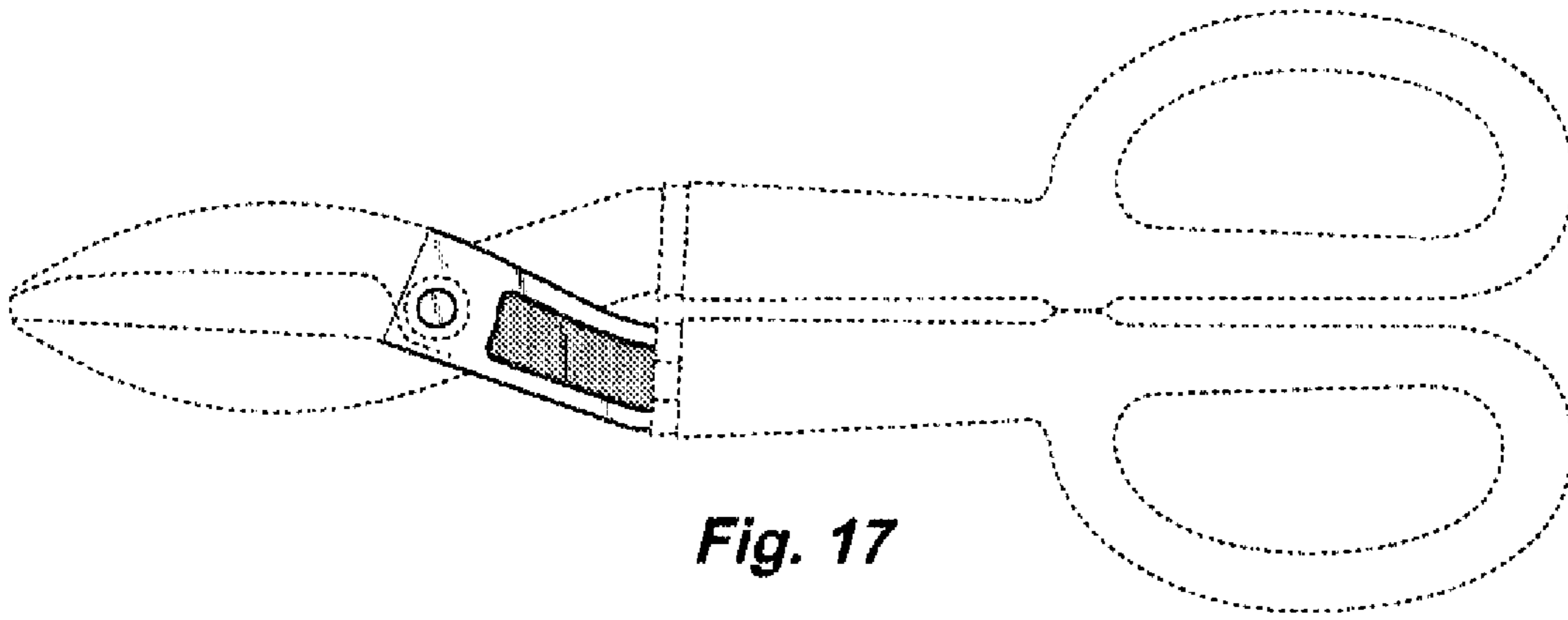


Fig. 17

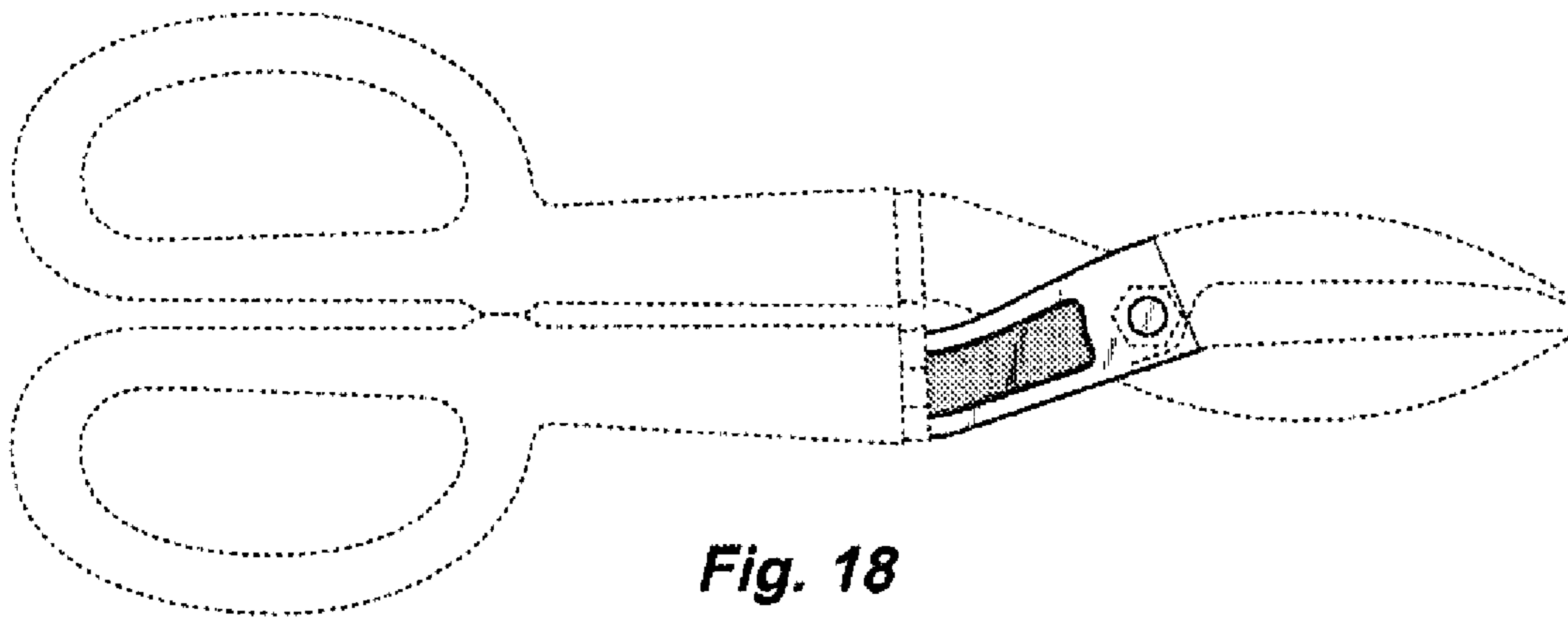


Fig. 18

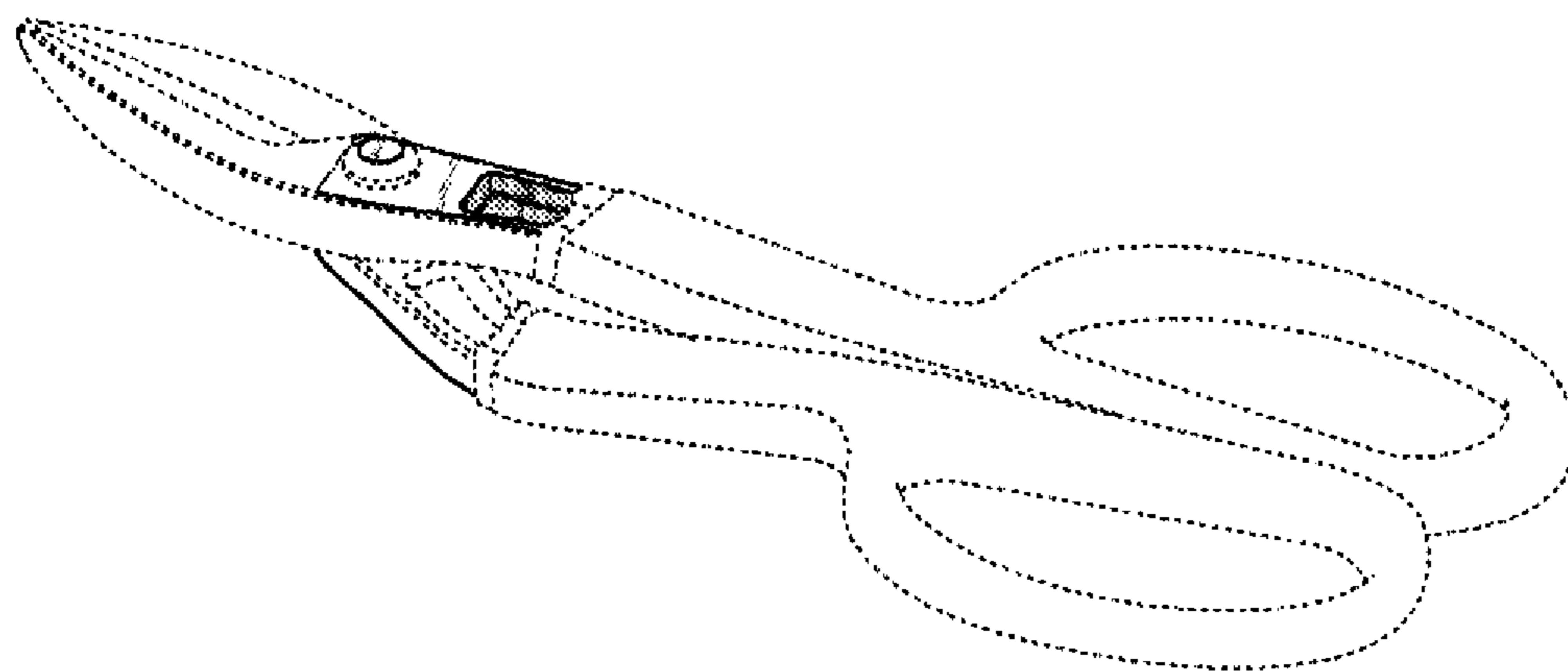


Fig. 19

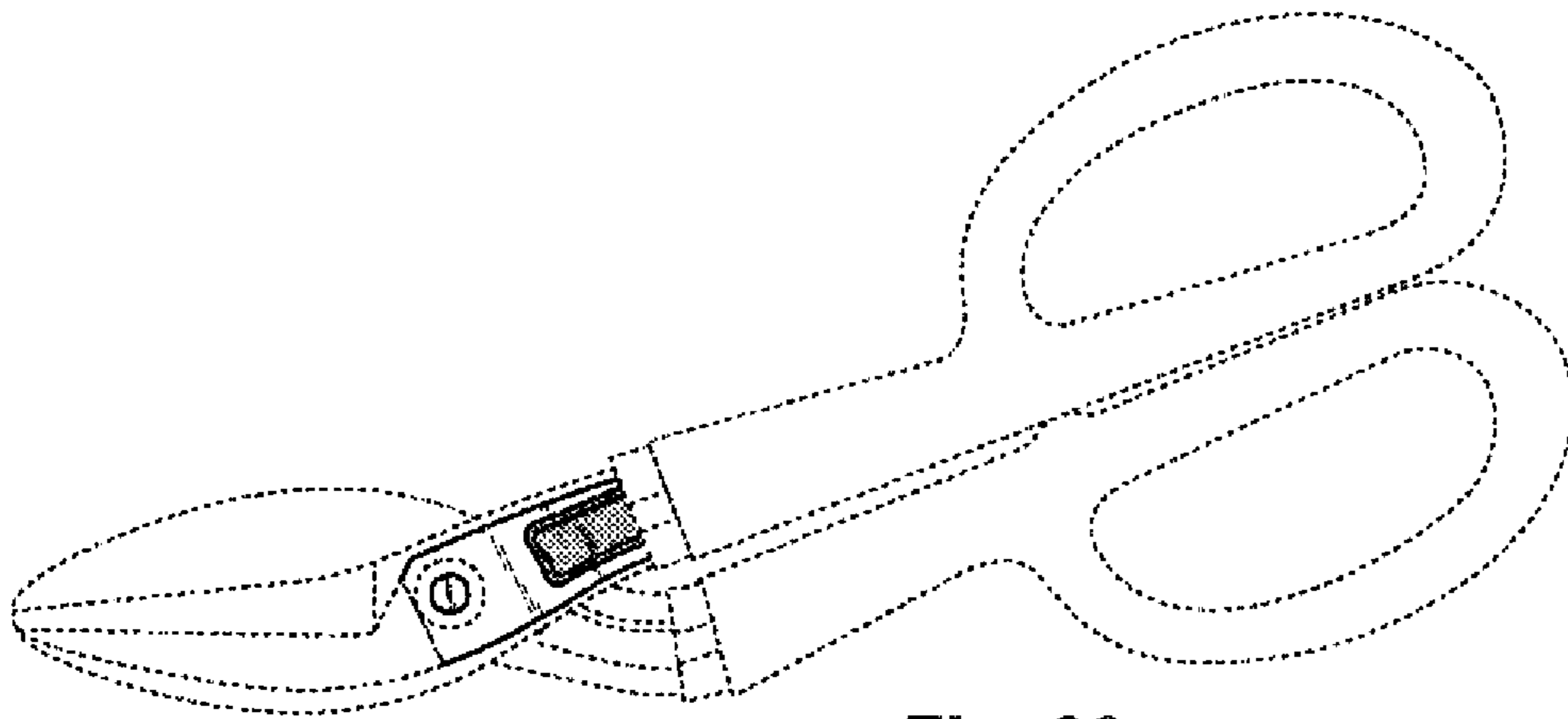


Fig. 20

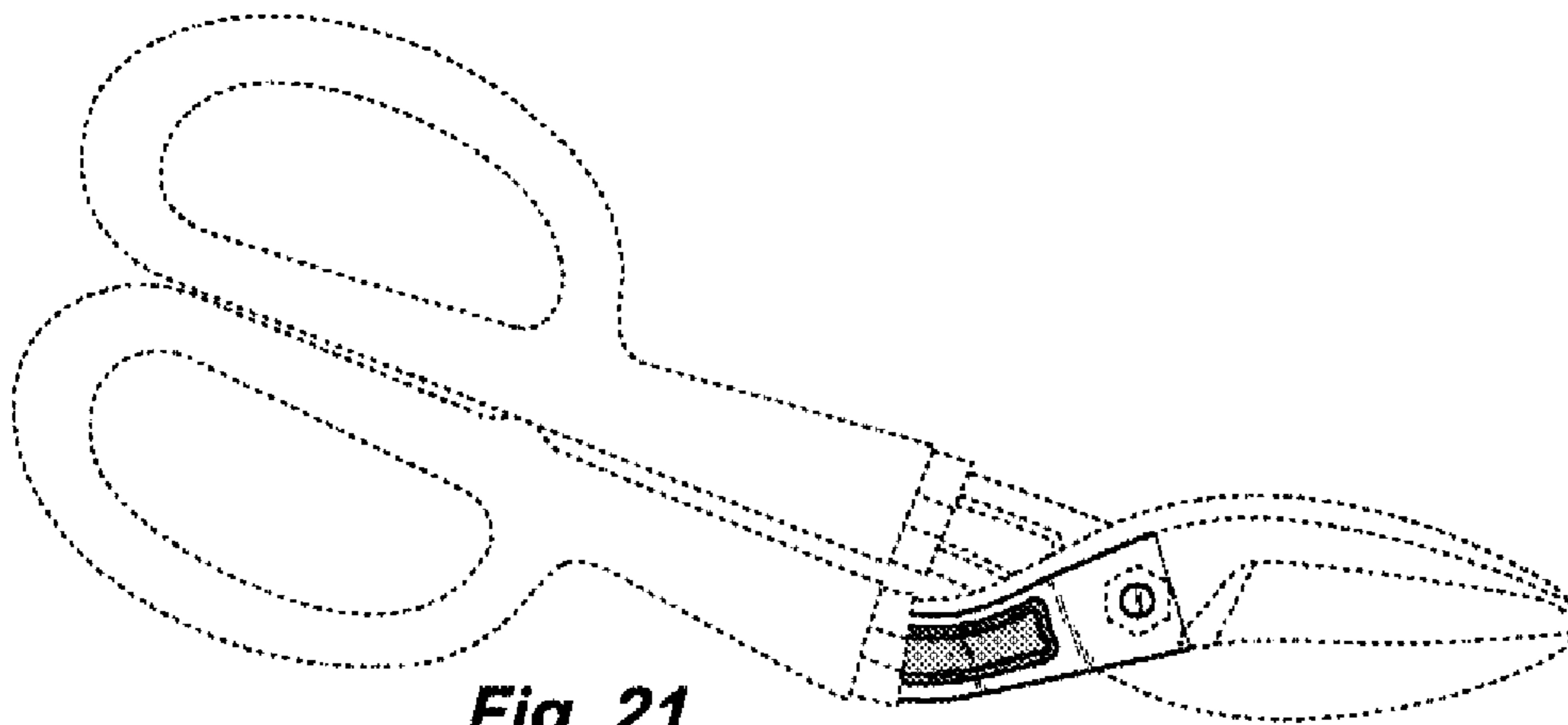


Fig. 21

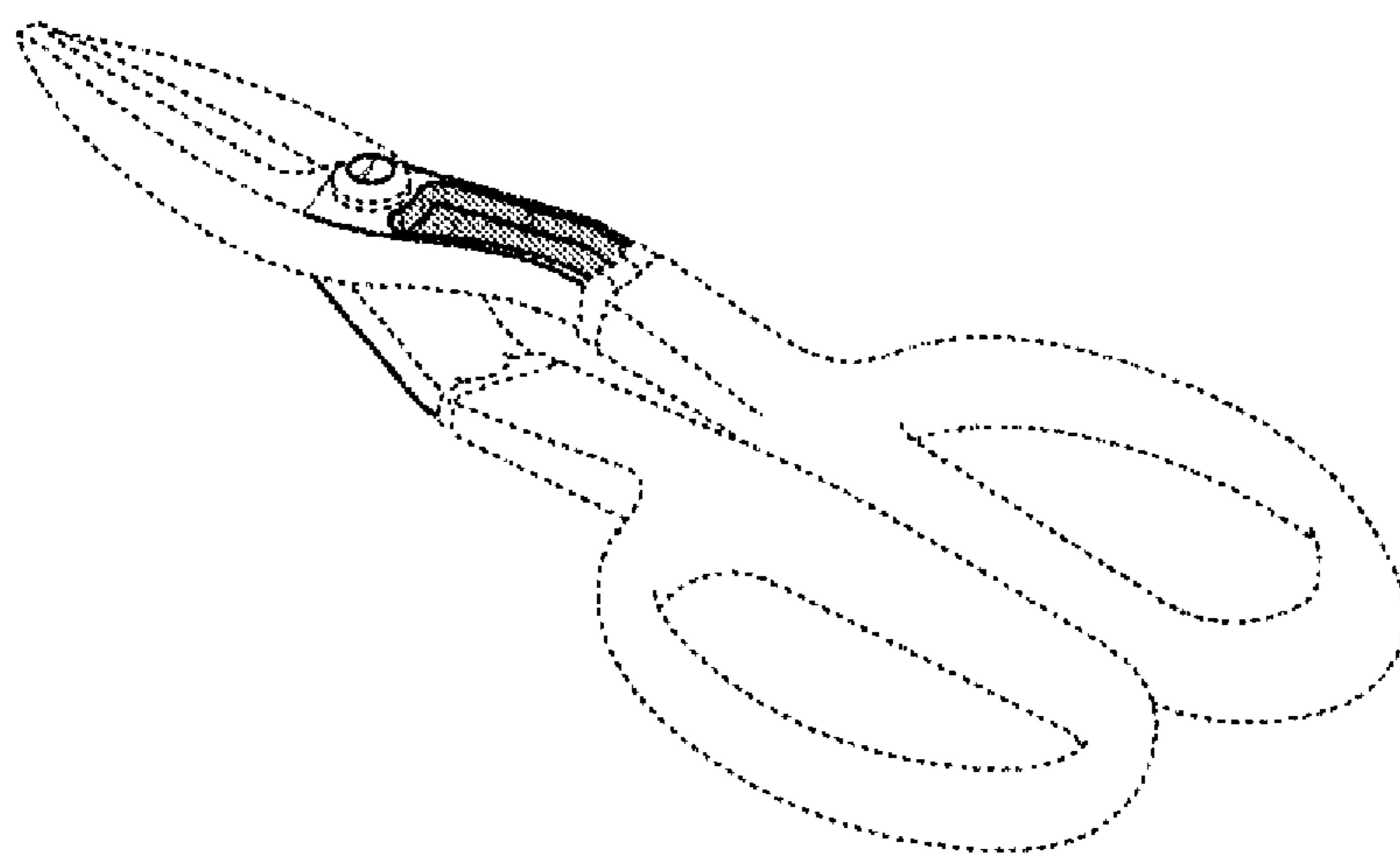


Fig. 22

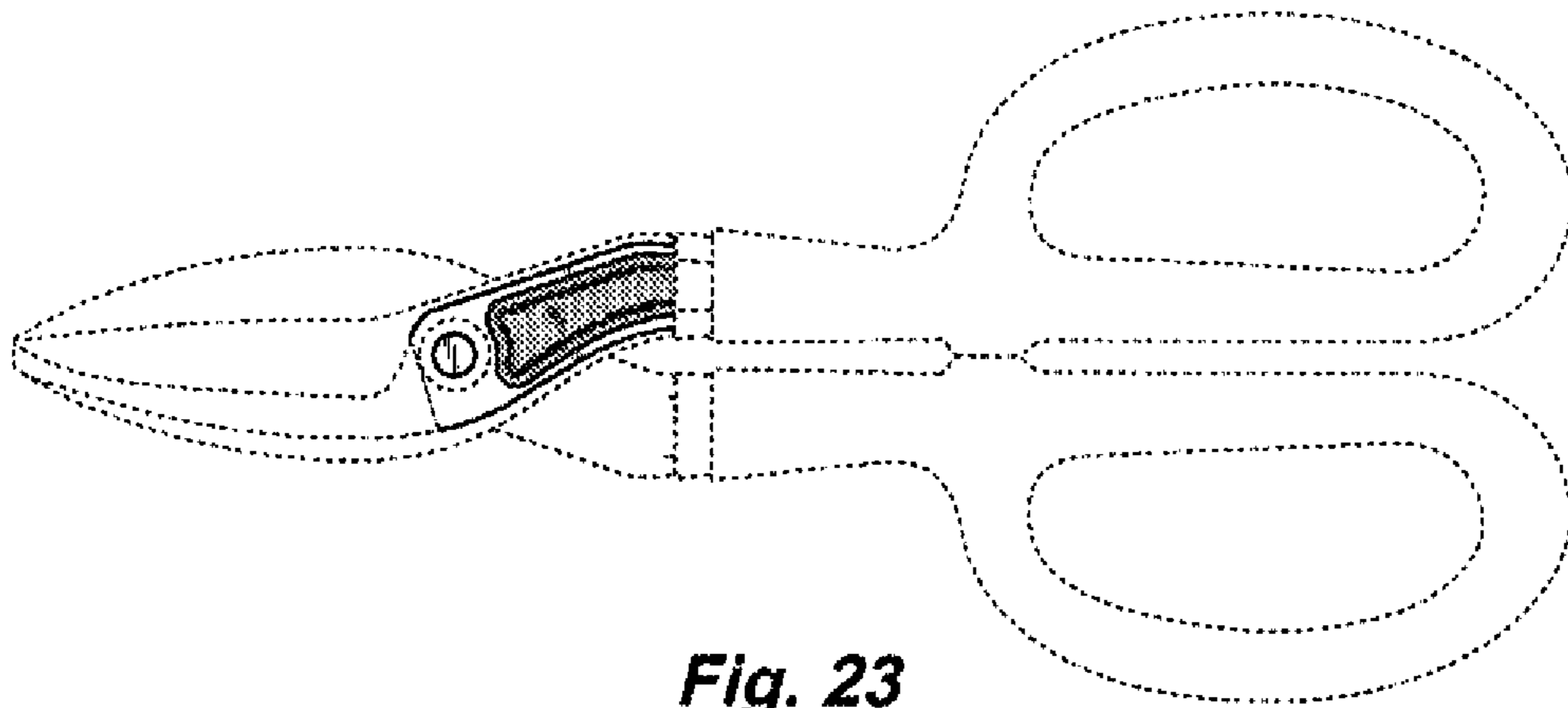


Fig. 23

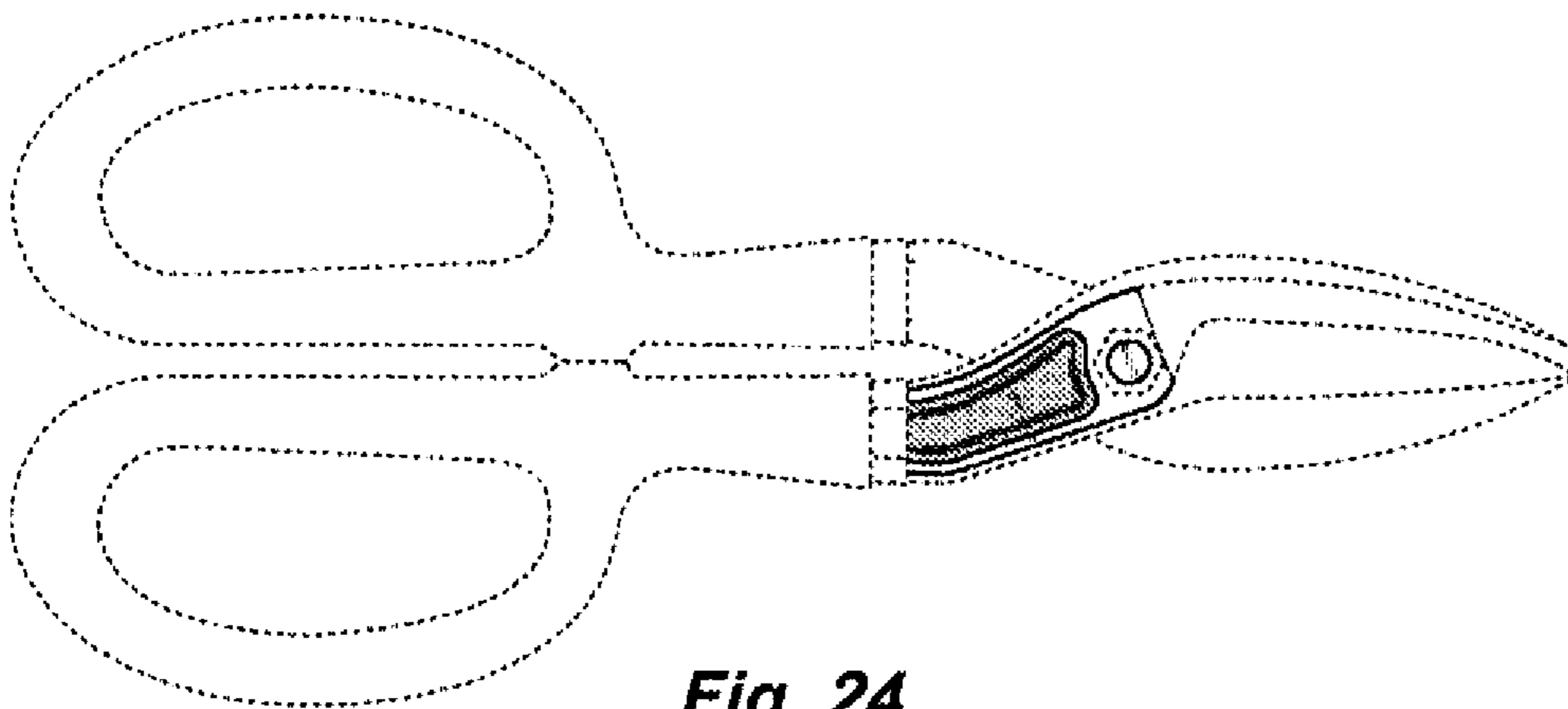


Fig. 24

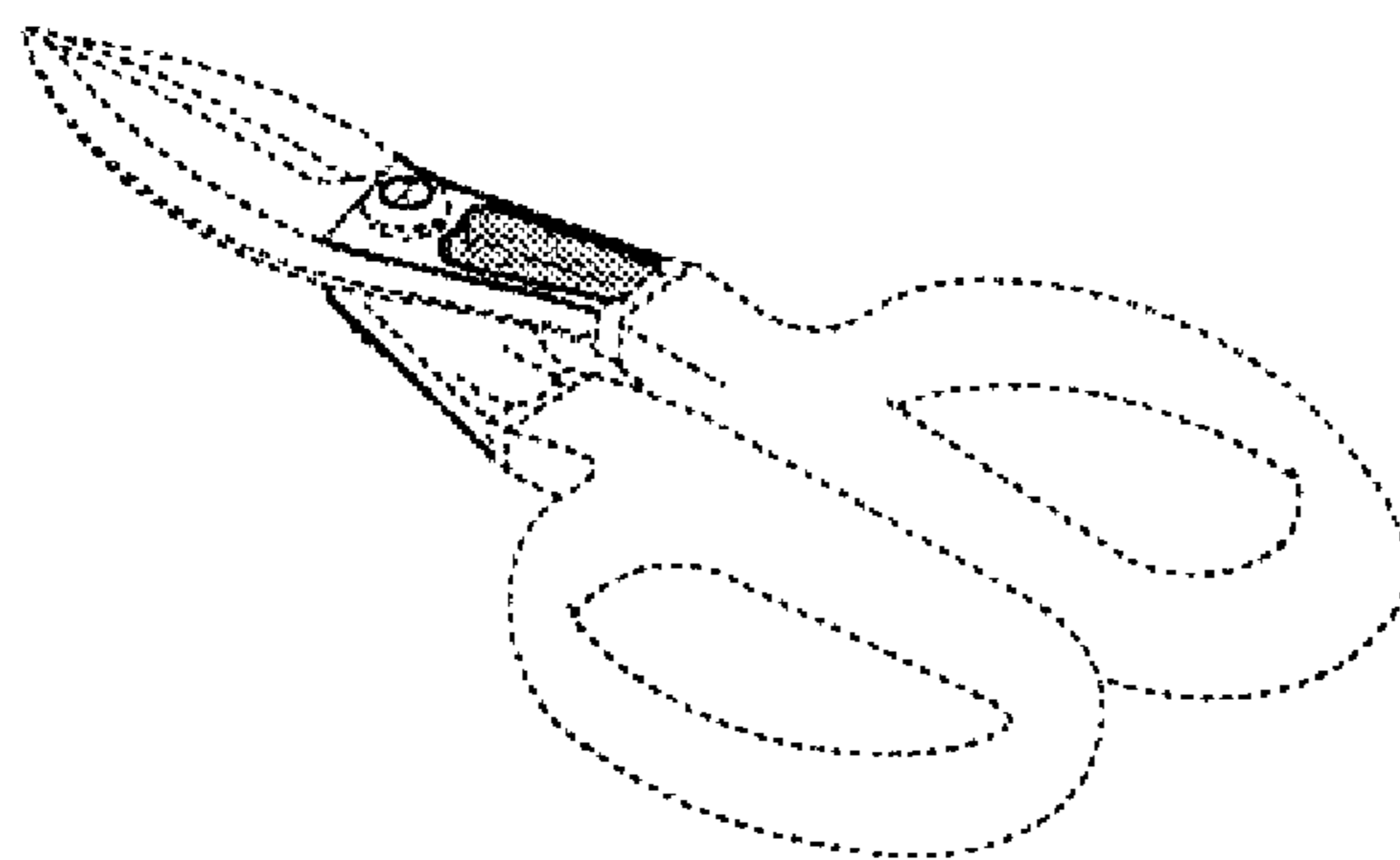


Fig. 25

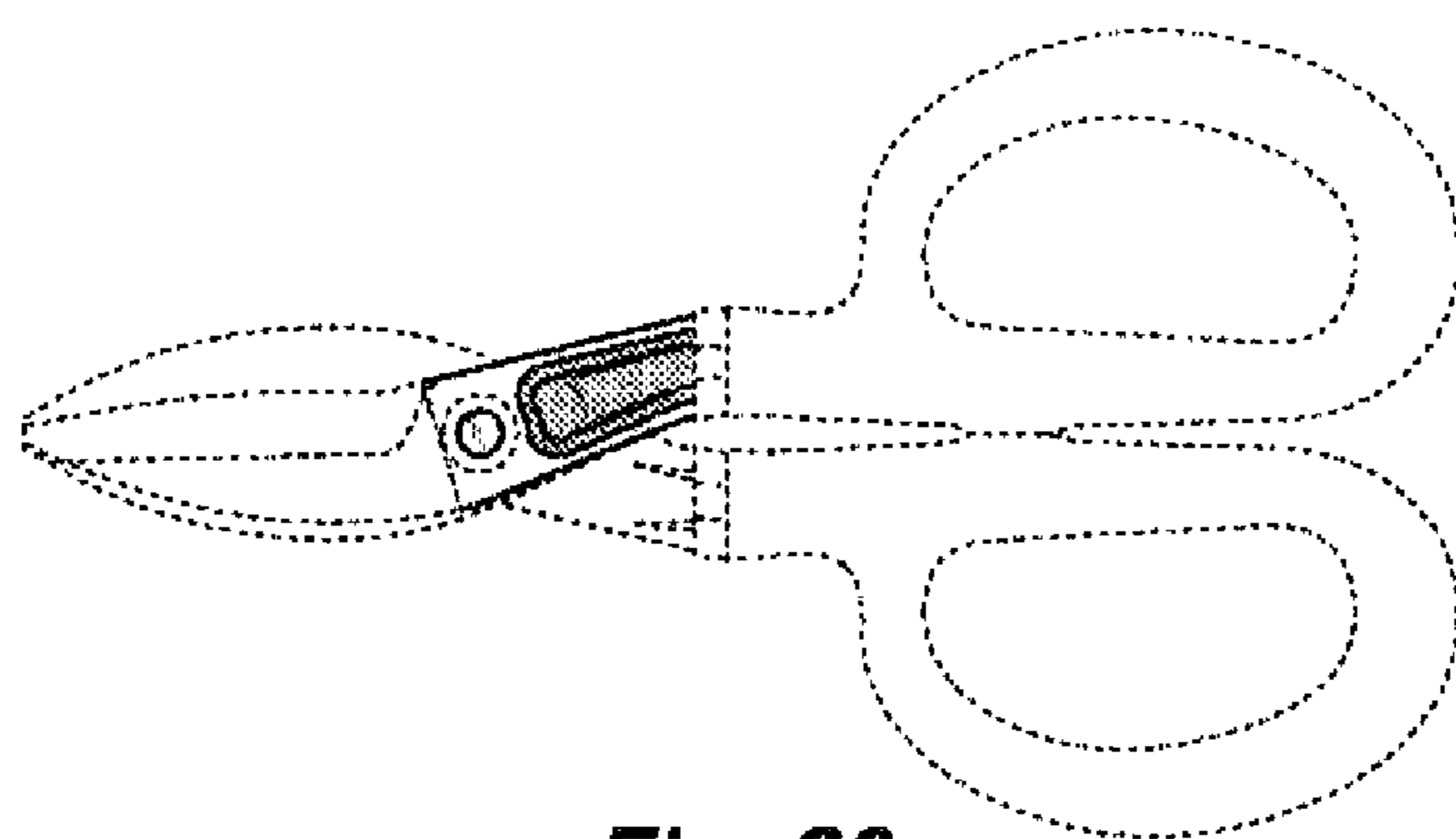


Fig. 26

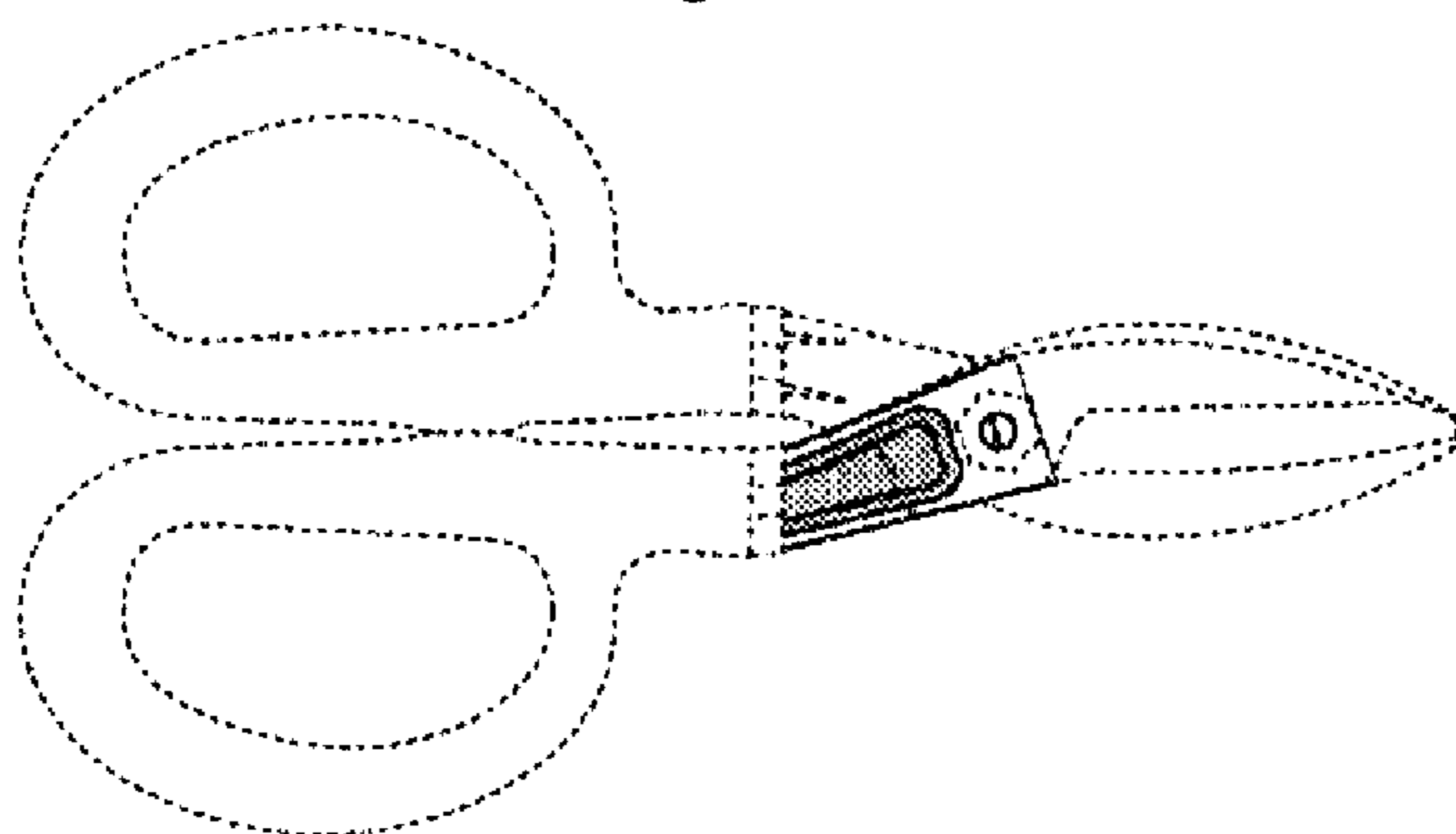


Fig. 27

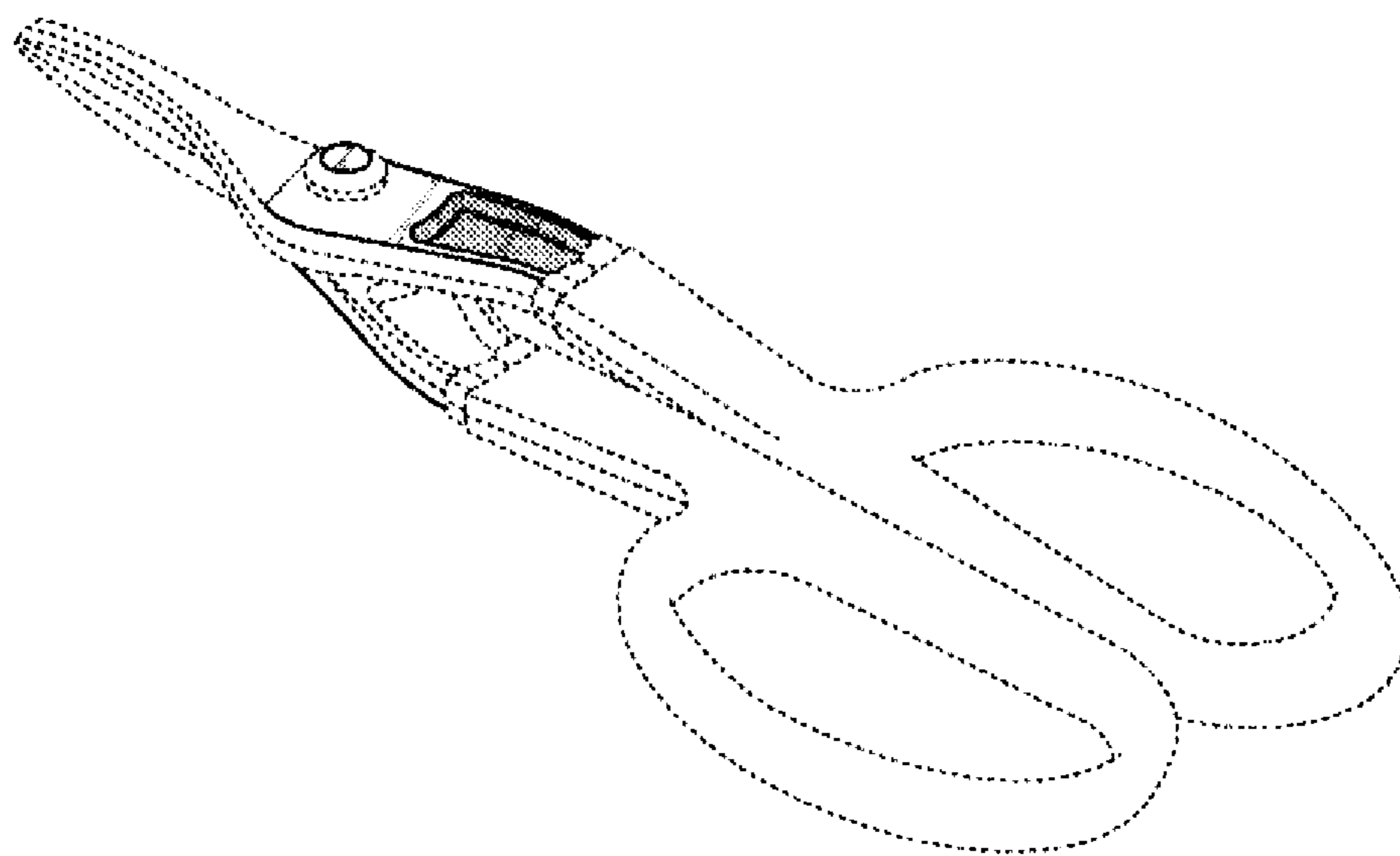


Fig. 28

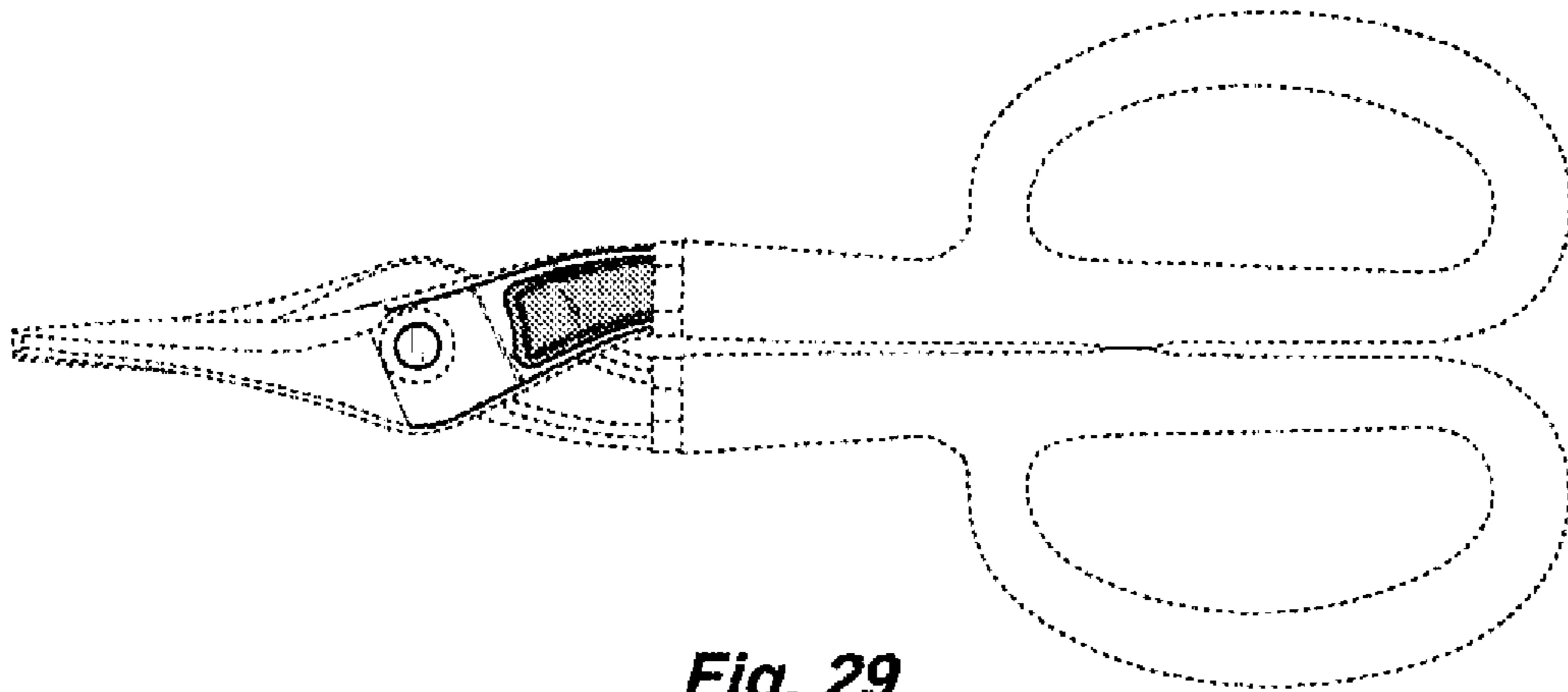


Fig. 29

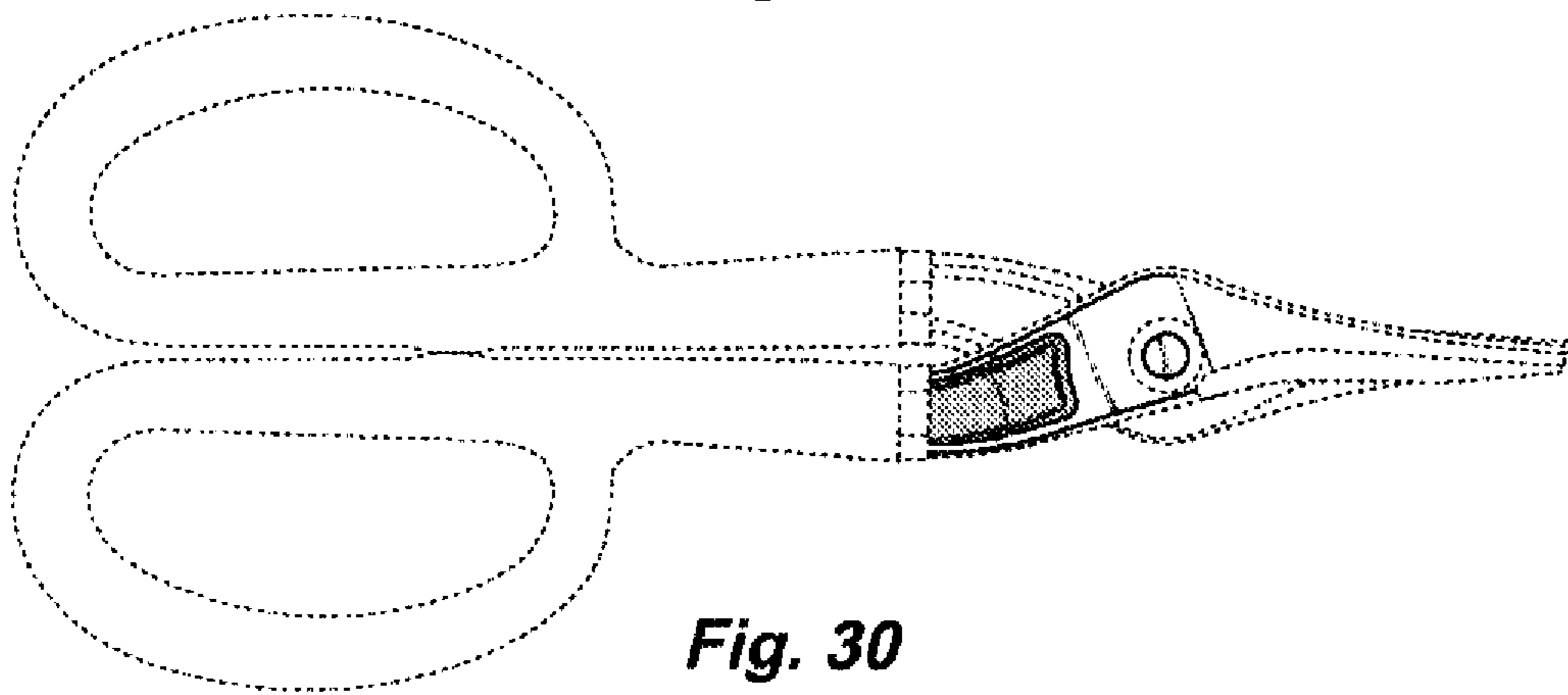


Fig. 30