

US00D547627S

(12) **United States Design Patent** (10) **Patent No.:** **US D547,627 S**
Meads (45) **Date of Patent:** **** Jul. 31, 2007**

(54) **DRYWALL TOOL**

(76) Inventor: **David P. Meads**, 455 Willow St.,
Ashland, OR (US) 97520

(**) Term: **14 Years**

(21) Appl. No.: **29/243,015**

(22) Filed: **Nov. 17, 2005**

(51) **LOC (8) Cl.** **08-05**

(52) **U.S. Cl.** **D8/45; D32/49**

(58) **Field of Classification Search** D8/14,
D8/45, 107; D32/46, 48, 49; 16/422; 30/169;
15/236.01, 236.08, 236.06, 236.02

See application file for complete search history.

(56) **References Cited**

U.S. PATENT DOCUMENTS

4,813,458	A	3/1989	Jacobucci	
4,888,846	A	12/1989	Natale	
4,962,561	A *	10/1990	Hamilton	15/236.01
5,063,627	A	11/1991	Marra	
5,455,981	A	10/1995	Wiese	
D364,720	S *	11/1995	Francis et al.	D32/49
5,471,700	A *	12/1995	Pereira	15/236.02
D365,897	S *	1/1996	Pereira	D32/46
5,890,259	A *	4/1999	Sarac	16/422
6,073,328	A *	6/2000	Hendricks	29/270
6,082,795	A *	7/2000	Fornelli	16/422
6,163,919	A	12/2000	Mitchell	
D463,083	S *	9/2002	Kari et al.	D32/49
D470,985	S *	2/2003	Zemel	D32/48

6,557,264	B1 *	5/2003	Maeda	15/236.01
6,662,399	B1 *	12/2003	Vairo	15/236.01
6,840,415	B1	1/2005	Sapien, Jr.	
2002/0010975	A1	1/2002	Walsh et al.	
2002/0020482	A1	2/2002	O'Mara et al.	

OTHER PUBLICATIONS

Google images results page from search for drywall knife.*

* cited by examiner

Primary Examiner—Philip S. Hyder

(74) *Attorney, Agent, or Firm*—Gerald D. Haynes; R. Keith Harrison

(57) **CLAIM**

The ornamental design for a “drywall tool”, as shown and described.

DESCRIPTION

FIG. 1 is a front perspective view of the drywall tool;

FIG. 2 is a rear perspective view of the drywall tool;

FIG. 3 is a front view of the drywall tool;

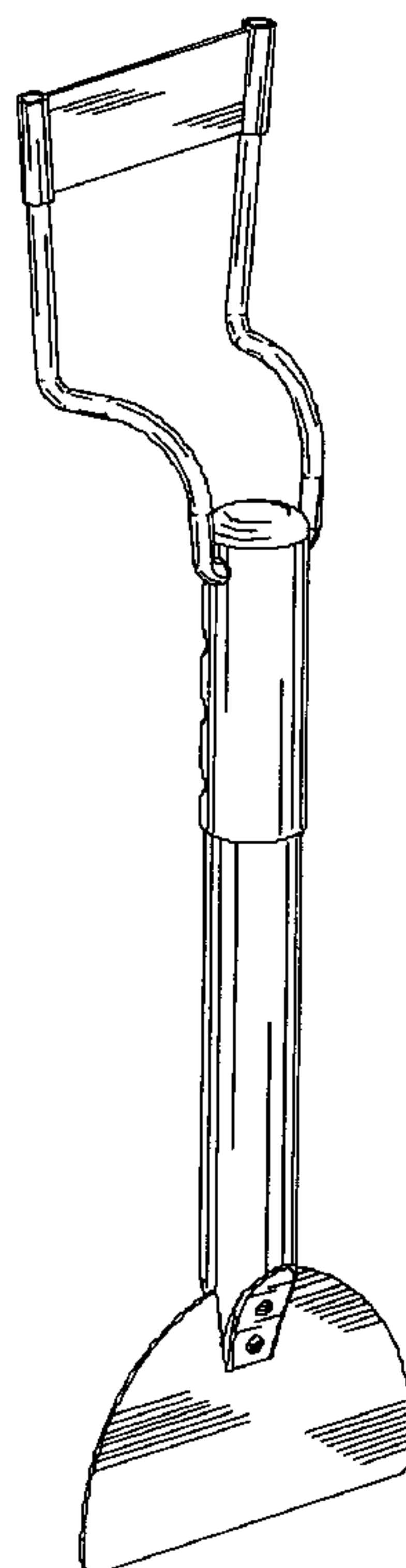
FIG. 4 is a rear view of the drywall tool;

FIG. 5 is a right side view of the drywall tool, the left side view being a mirror image of the right side view of the drywall tool;

FIG. 6 is a top view of the drywall tool; and,

FIG. 7 is a bottom view of the drywall tool.

1 Claim, 3 Drawing Sheets



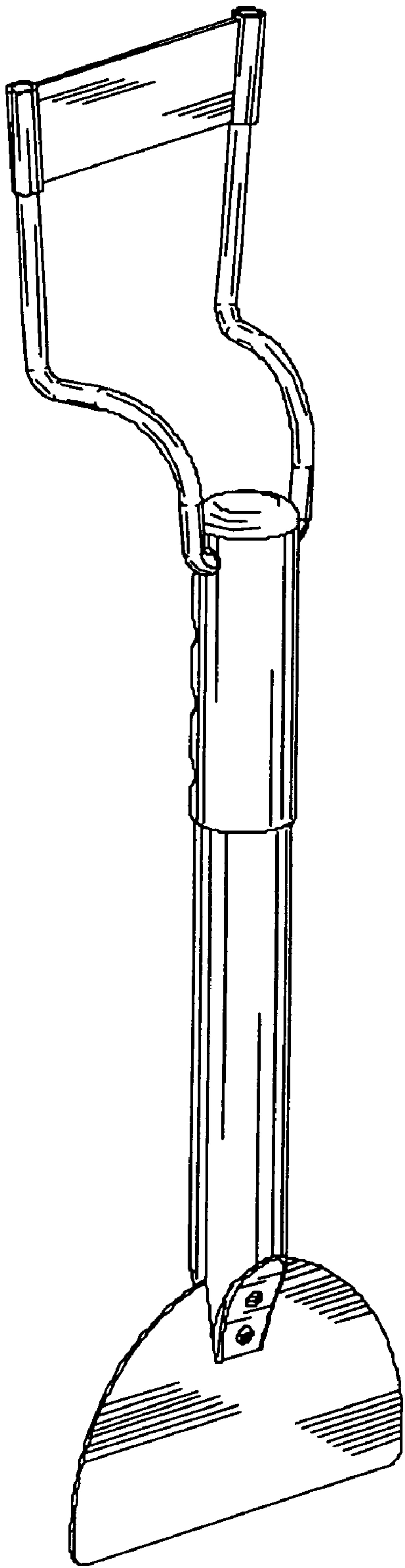


FIG. 1

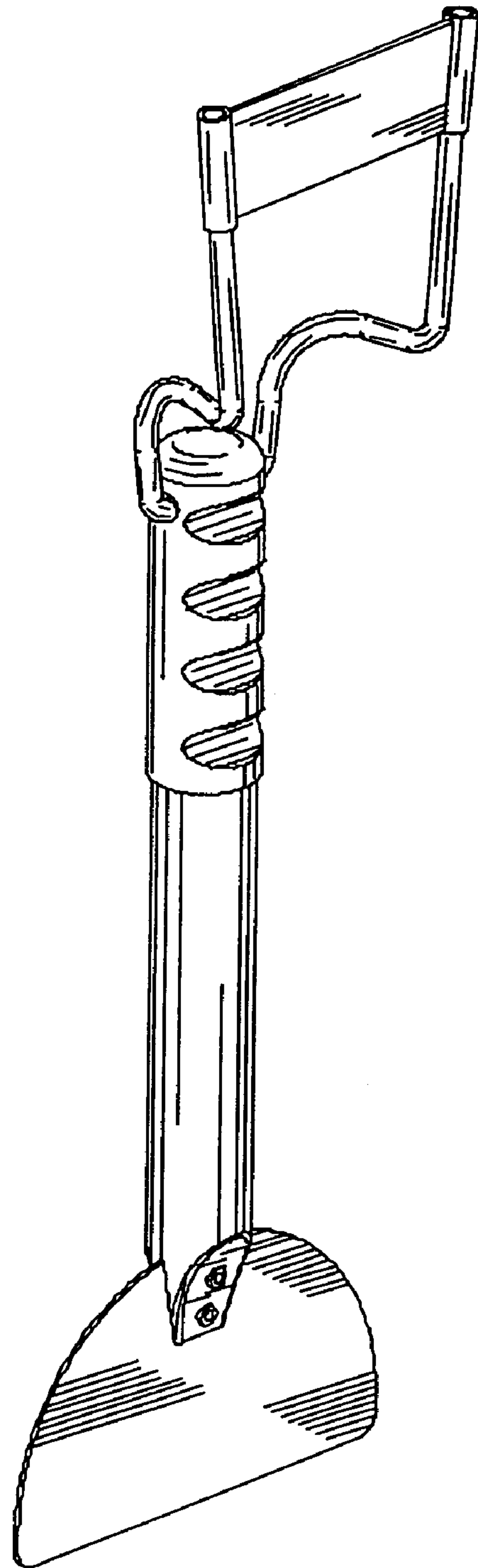


FIG. 2

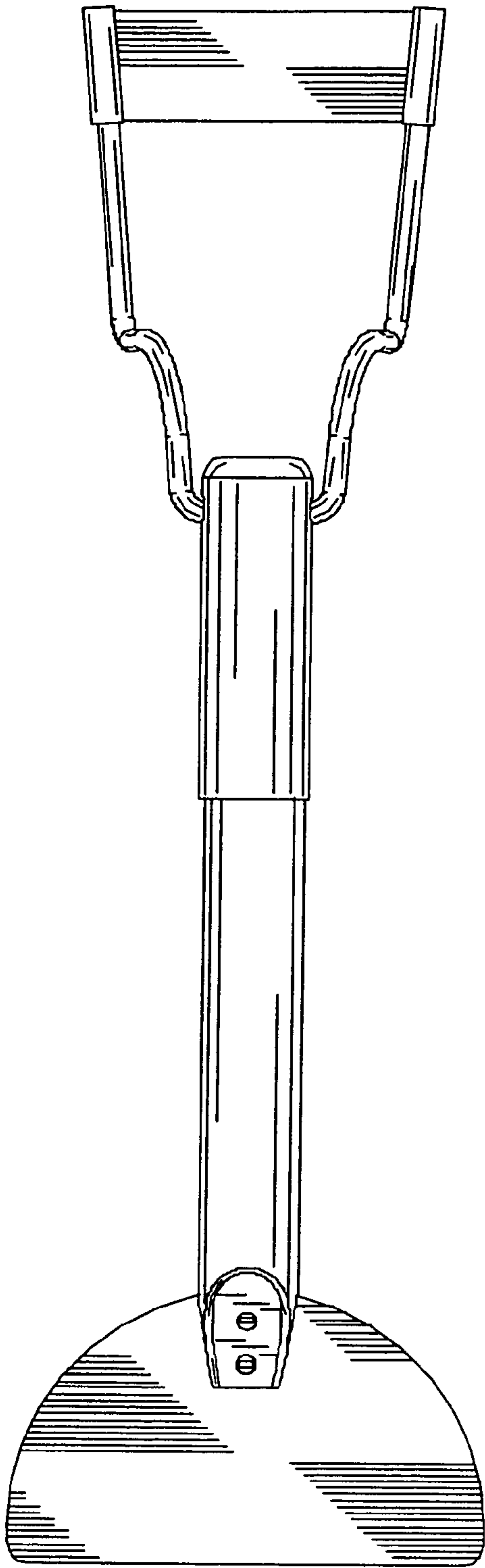


FIG. 3

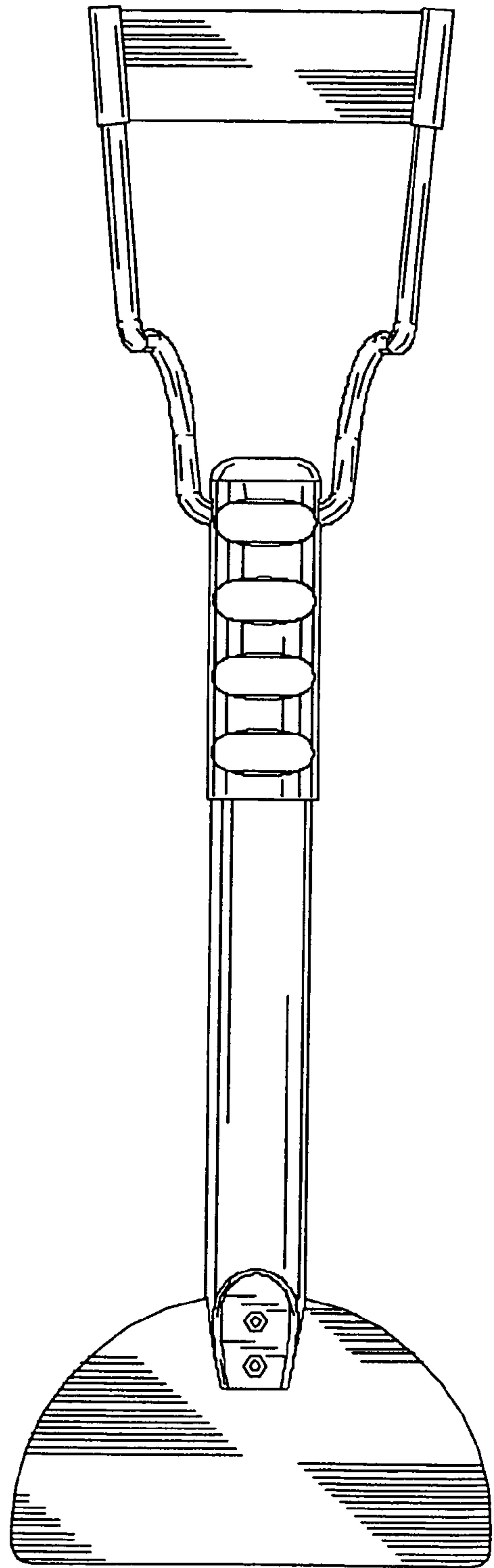


FIG. 4

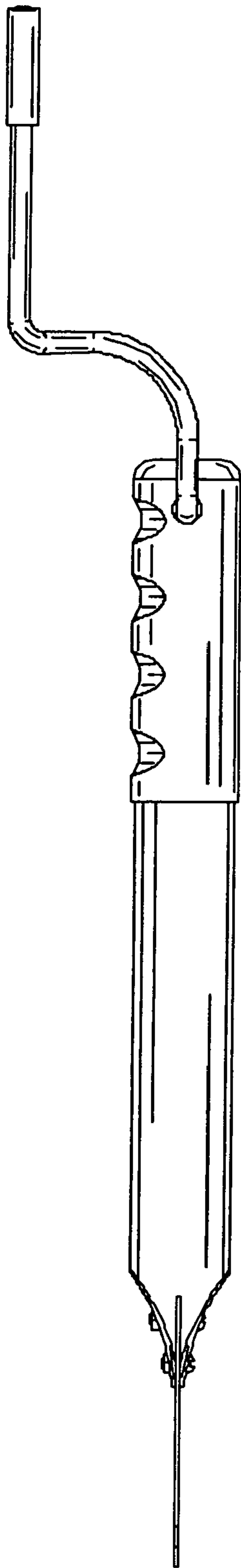


FIG. 5

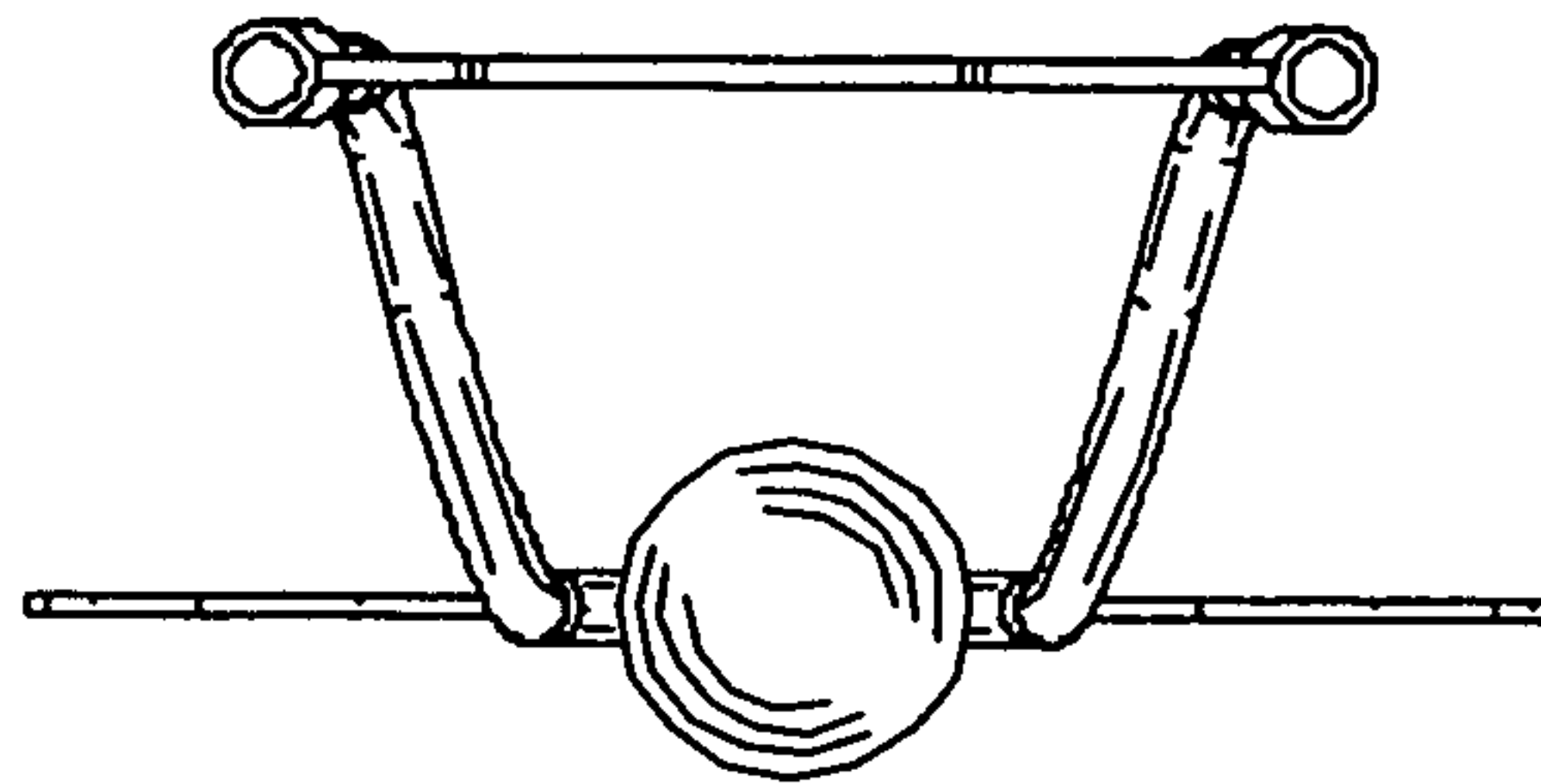


FIG. 6

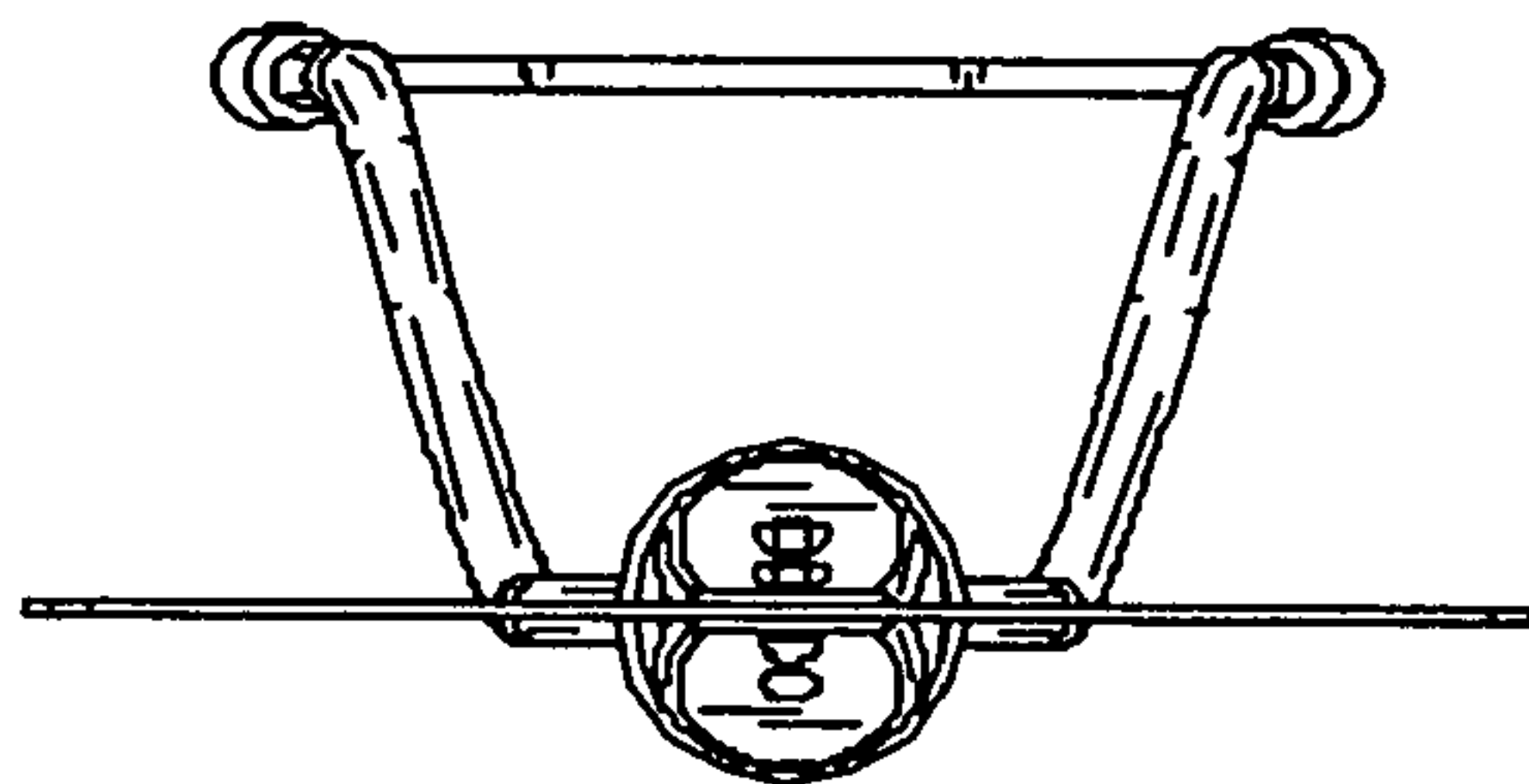


FIG. 7