

US00D547625S

(12) **United States Design Patent**
Decuir

(10) **Patent No.: US D547,625 S**

(45) **Date of Patent: ** Jul. 31, 2007**

(54) **WRENCH**

(75) Inventor: **Alex Decuir**, Pinon Hills, CA (US)

(73) Assignee: **Made for You Products**, Pinon Hills, CA (US)

(**) Term: **14 Years**

(21) Appl. No.: **29/259,989**

(22) Filed: **May 18, 2006**

(51) **LOC (8) Cl. 08-05**

(52) **U.S. Cl. D8/27**

(58) **Field of Classification Search** D8/17-29,
D8/105, 107, 52, 55; 81/119, 121.1, 86,
81/124.2, 125, 125.1, 176.1, 176.2, 177.1,
81/177.2, 177.3, 177.85, 124.3, 124.7, 176.3,
81/121.7, 436, 437, 165, 418, 166, 168, 169,
81/170, 179, 160, 3.57, 3.55, 58.4, 186, 58.3,
81/300, 58.1, 60, 63.1; 16/422, 429; 140/119
See application file for complete search history.

(56) **References Cited**

U.S. PATENT DOCUMENTS

120,304 A	10/1871	McBride	
342,824 A *	6/1886	Clark	81/125.1
671,789 A *	4/1901	Borgeson	81/124.1
1,415,826 A	5/1922	Finkhousen	
1,626,906 A	5/1927	Zilliox	
D223,988 S *	6/1972	Robinson	D8/27
4,063,472 A	12/1977	MacIntyre et al.	
D248,536 S *	7/1978	Domasin	D8/21
5,201,257 A *	4/1993	Engel	81/177.6

D335,616 S *	5/1993	Schafer	D8/21
D364,542 S *	11/1995	Pollard	D8/14
5,562,006 A	10/1996	Pelosi, Jr. et al.	
D387,255 S *	12/1997	Rhoton	D8/21
D392,526 S *	3/1998	Nicely	D8/25
D400,769 S *	11/1998	Duke	D8/21
6,202,515 B1	3/2001	Denton	
7,017,247 B2 *	3/2006	Detzel	29/221.5

OTHER PUBLICATIONS

Whitehorse Press Motorcycling catalog dated 2003 p. 44.*

* cited by examiner

Primary Examiner—Raphael Barkai

Assistant Examiner—Randall Gholson

(74) *Attorney, Agent, or Firm*—Stetina Brunda Garred & Brucker

(57) **CLAIM**

The ornamental design for a wrench, as shown and described.

DESCRIPTION

FIG. 1 is a top perspective view of the wrench showing my new design;

FIG. 2 is a left side view thereof;

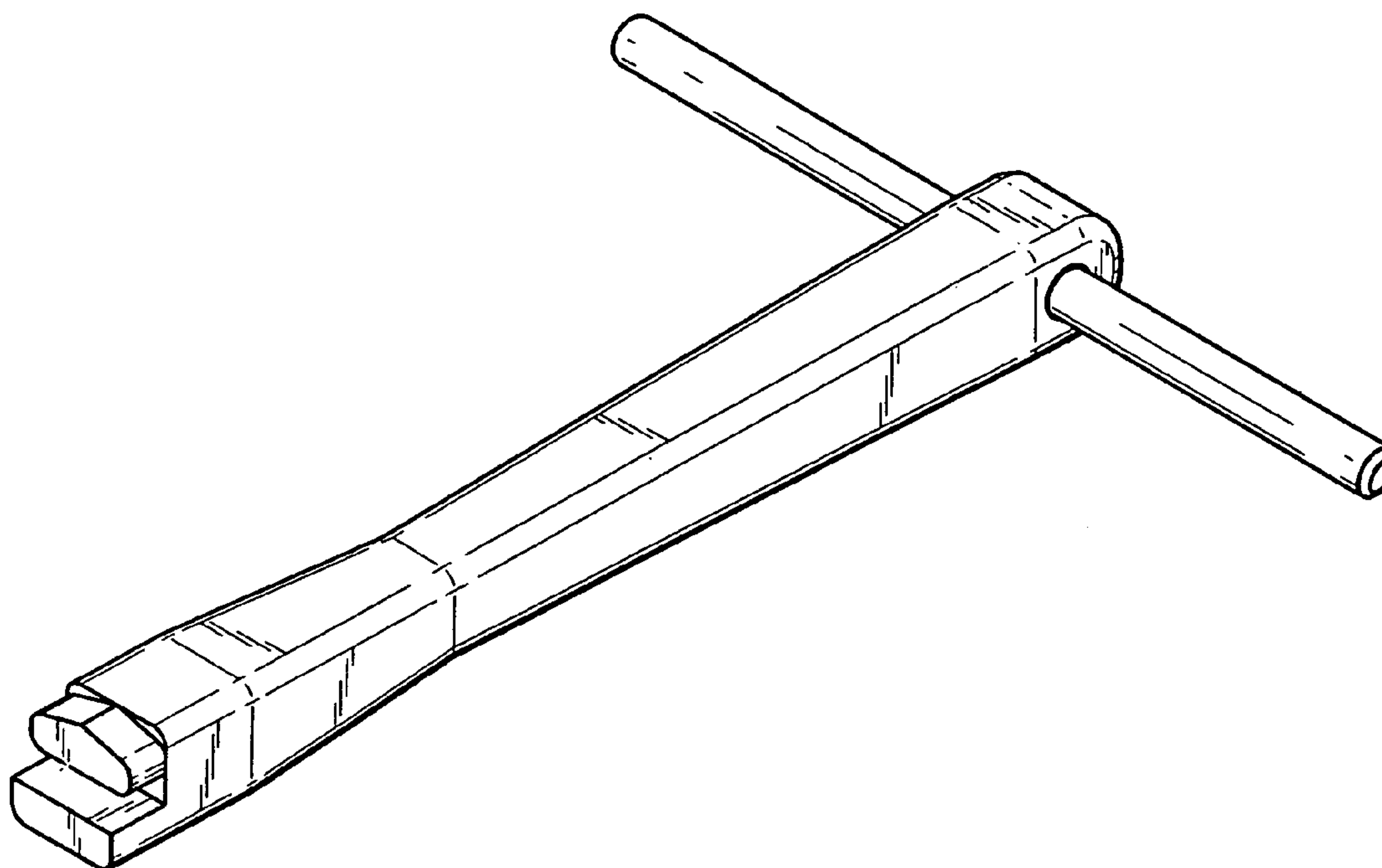
FIG. 3 is a right side view thereof;

FIG. 4 is a bottom view thereof;

FIG. 5 is a front view thereof; and,

FIG. 6 is a top view thereof.

1 Claim, 3 Drawing Sheets



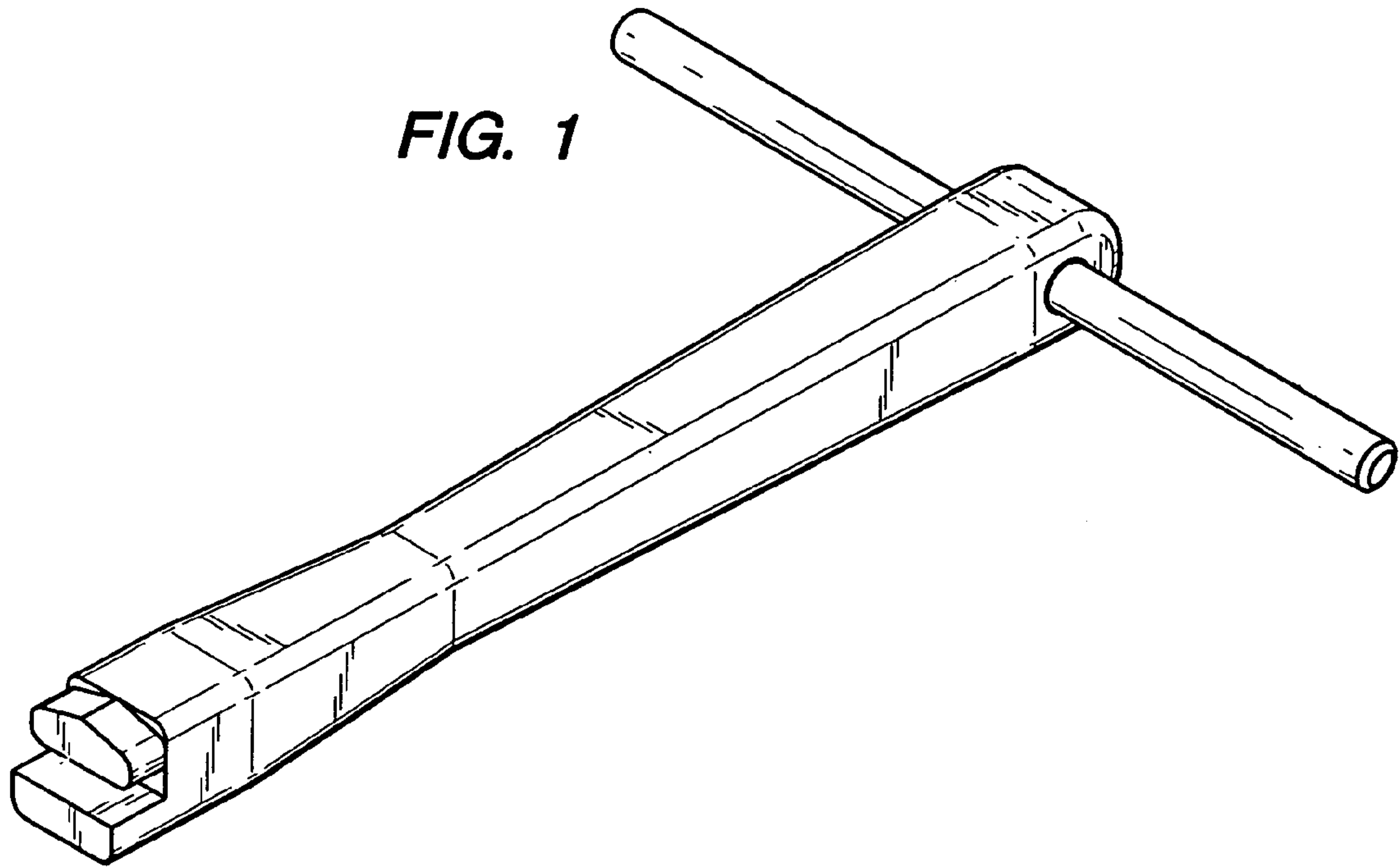


FIG. 2

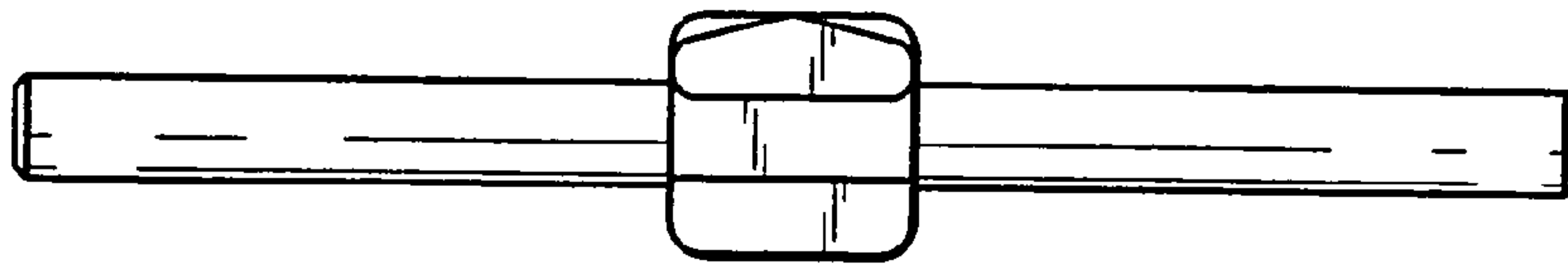


FIG. 3

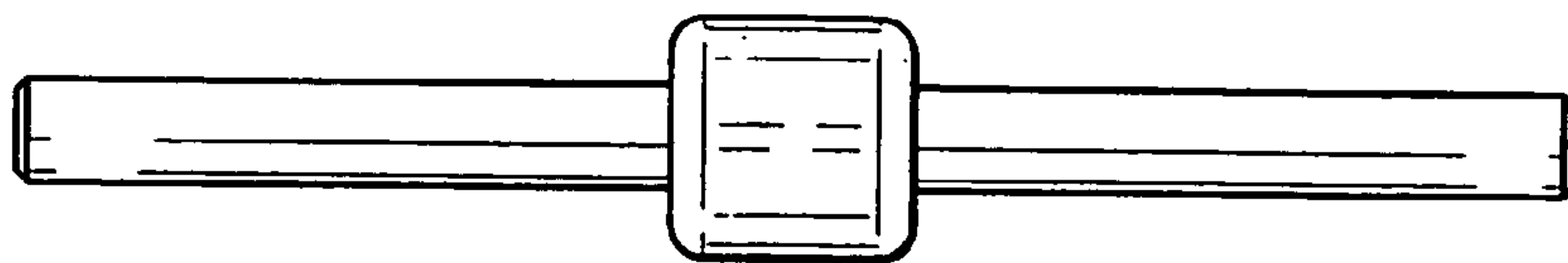


FIG. 4

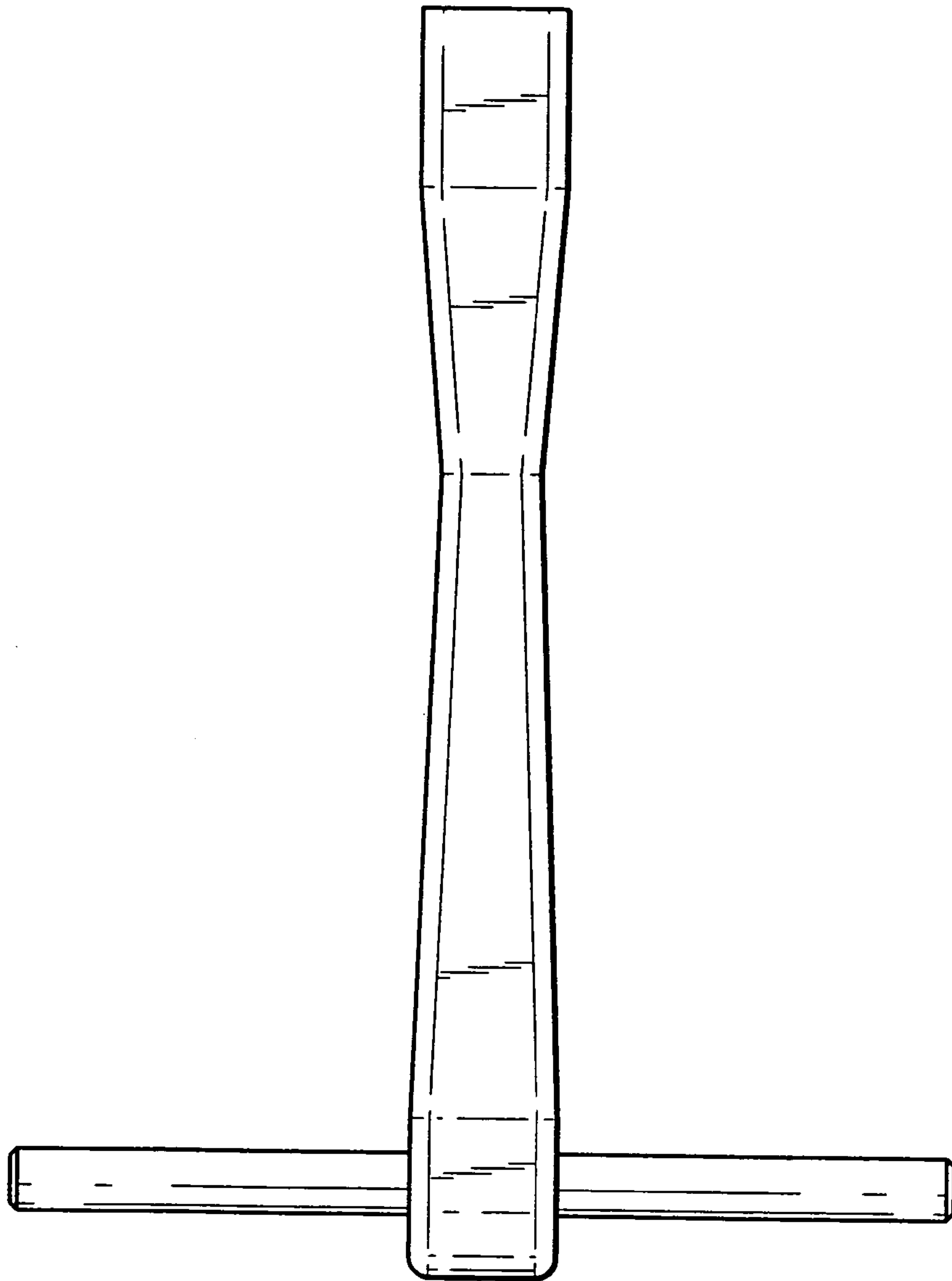


FIG. 5

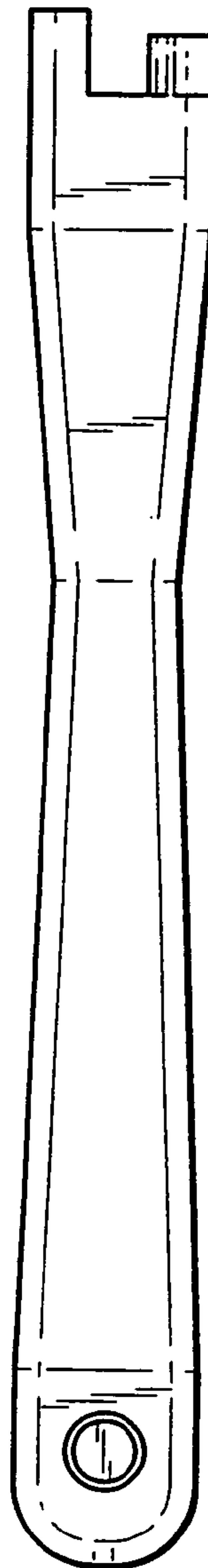


FIG. 6

