

US00D547624S

(12) **United States Design Patent**
Strahorn

(10) **Patent No.:** **US D547,624 S**

(45) **Date of Patent:** **** Jul. 31, 2007**

(54) **T-HANDLE HEX WRENCH**

(75) Inventor: **Bradley S. Strahorn**, St. Louis, MO
(US)

(73) Assignee: **Easco Hand Tools, Inc.**, Simsbury, CT
(US)

(**) Term: **14 Years**

(21) Appl. No.: **29/255,141**

(22) Filed: **Mar. 3, 2006**

(51) **LOC (8) Cl.** **08-05**

(52) **U.S. Cl.** **D8/21**

(58) **Field of Classification Search** D8/17-29,
D8/105, 107, 52, 55; 81/119, 121.1, 86,
81/124.2, 125, 125.1, 176.1, 176.2, 177.1,
81/177.2, 177.3, 177.85, 124.3, 124.7, 176.3,
81/58.4, 186, 58.3, 300, 58.1, 60, 63.1, 121.7,
81/436, 437, 165, 418, 166, 168, 169, 170,
81/179, 160, 3.57, 3.55; 16/422, 429; 140/119
See application file for complete search history.

(56) **References Cited**

U.S. PATENT DOCUMENTS

2,346,364	A *	4/1944	Dowe	279/83
D217,324	S	4/1970	Michels	D8/29
3,651,718	A *	3/1972	Thomasian	81/480
3,672,419	A *	6/1972	Fischer	81/460
3,958,469	A	5/1976	Meese	81/58.3
4,238,978	A	12/1980	Leone	81/480
D285,769	S	9/1986	Flory et al.	D8/31
4,926,721	A	5/1990	Hsiao	81/177.4
D339,048	S *	9/1993	Baum	D8/107
D339,279	S	9/1993	Baum	D8/83
5,421,225	A	6/1995	Chen	81/490
D377,444	S *	1/1997	Lin	D8/107
D378,797	S	4/1997	Poremba et al.	D8/107
D392,535	S	3/1998	Vasudeva et al.	D8/83
D394,794	S	6/1998	Vasudeva	D8/107
5,822,830	A	10/1998	Lin	16/111 R

D409,463	S *	5/1999	McMullin	D8/25
6,151,998	A	11/2000	Fu-Hui	81/177.4
6,347,450	B1 *	2/2002	Langlois et al.	29/748
D454,045	S	3/2002	Rinner et al.	D8/107
6,378,402	B1	4/2002	Kalomeris et al.	81/177.5
D470,733	S *	2/2003	Schmitt, Jr.	D8/21

(Continued)

OTHER PUBLICATIONS

Chaparral motorsports catalog dated 2003.*
Grizzly industrial catalog dated 2003 p. 188.*
Bailey's catalog dated 2004 p. 17.*
T-Handle Hex Wrence, Figures 1 and 2.

Primary Examiner—Raphael Barkai
Assistant Examiner—Randall H. Gholson
(74) *Attorney, Agent, or Firm*—Nelson Mullins Riley & Scarborough, LLP

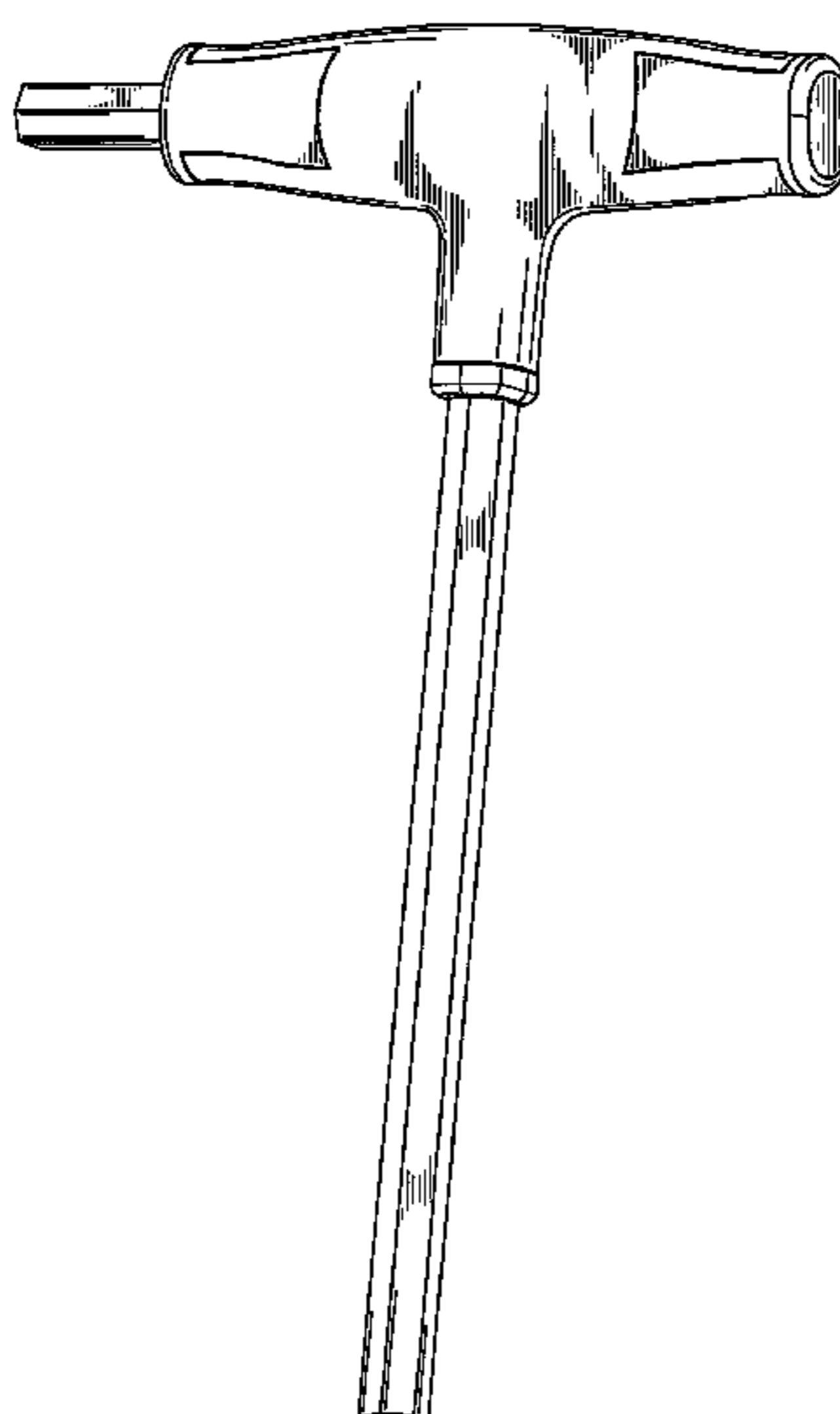
(57) **CLAIM**

The ornamental design of a T-handle hex wrench, substantially as shown and described.

DESCRIPTION

FIG. 1 is a perspective view of a T-handle hex wrench embodying the design of the present invention;
FIG. 2 is a front elevation view of the T-handle hex wrench illustrated in FIG. 1;
FIG. 3 is a back elevation view of the T-handle hex wrench shown in FIG. 1;
FIG. 4 is a left side view of the T-handle hex wrench shown in FIG. 1;
FIG. 5 is a right side view of the T-handle hex wrench shown in FIG. 1;
FIG. 6 is a top view of the T-handle hex wrench illustrated in FIG. 1; and,
FIG. 7 is a bottom view of the T-handle hex wrench illustrated in FIG. 1.

1 Claim, 5 Drawing Sheets



US D547,624 S

Page 2

U.S. PATENT DOCUMENTS

6,675,678 B2	1/2004	Liu	81/177.2	D517,634 S *	3/2006	Nunez et al.	D21/789
D486,723 S *	2/2004	Chang	D8/347	7,166,040 B2 *	1/2007	Hoffman et al.	473/334
D493,685 S	8/2004	Dallas	D8/107	2003/0110906 A1	6/2003	Li et al.	81/177.1

* cited by examiner

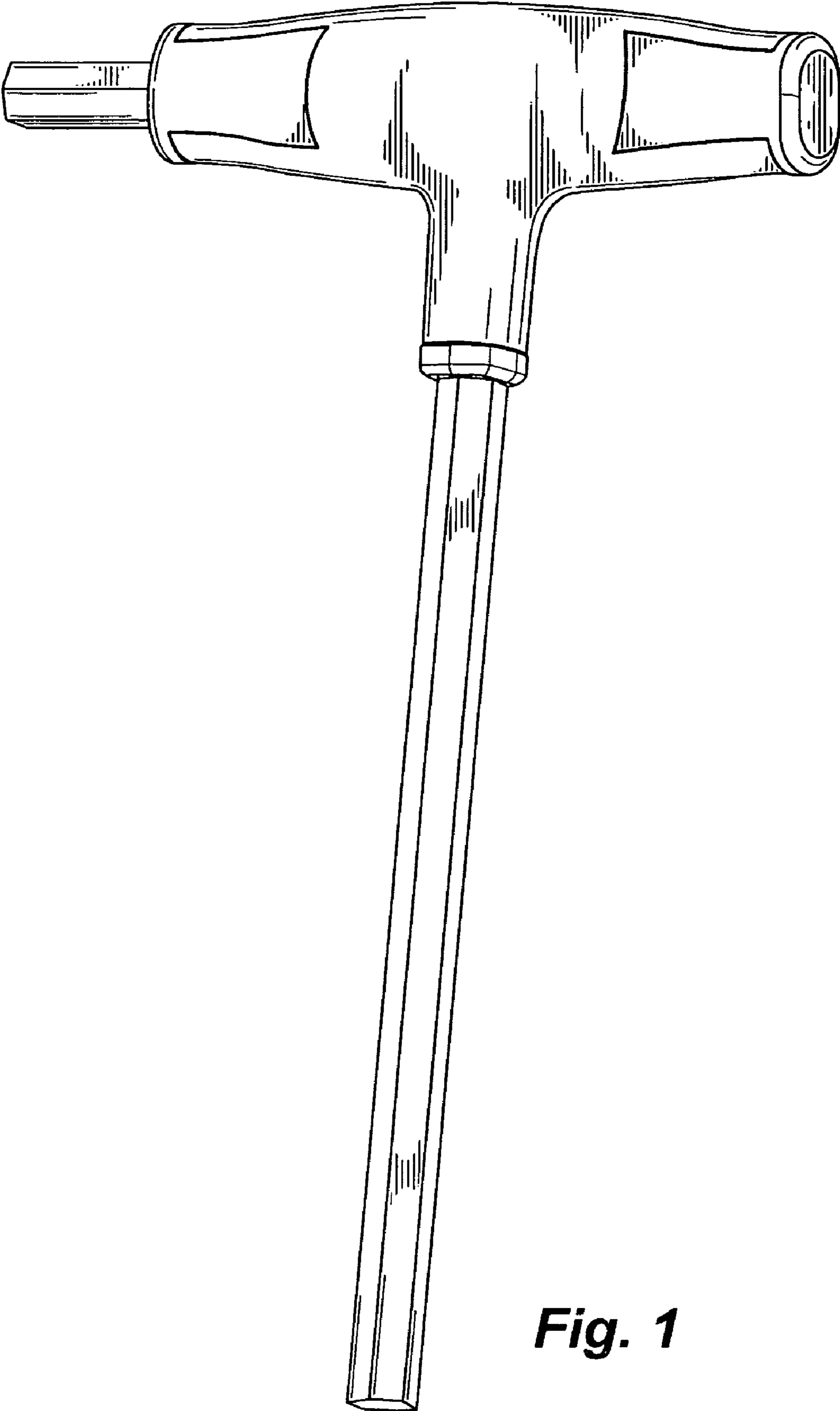


Fig. 1

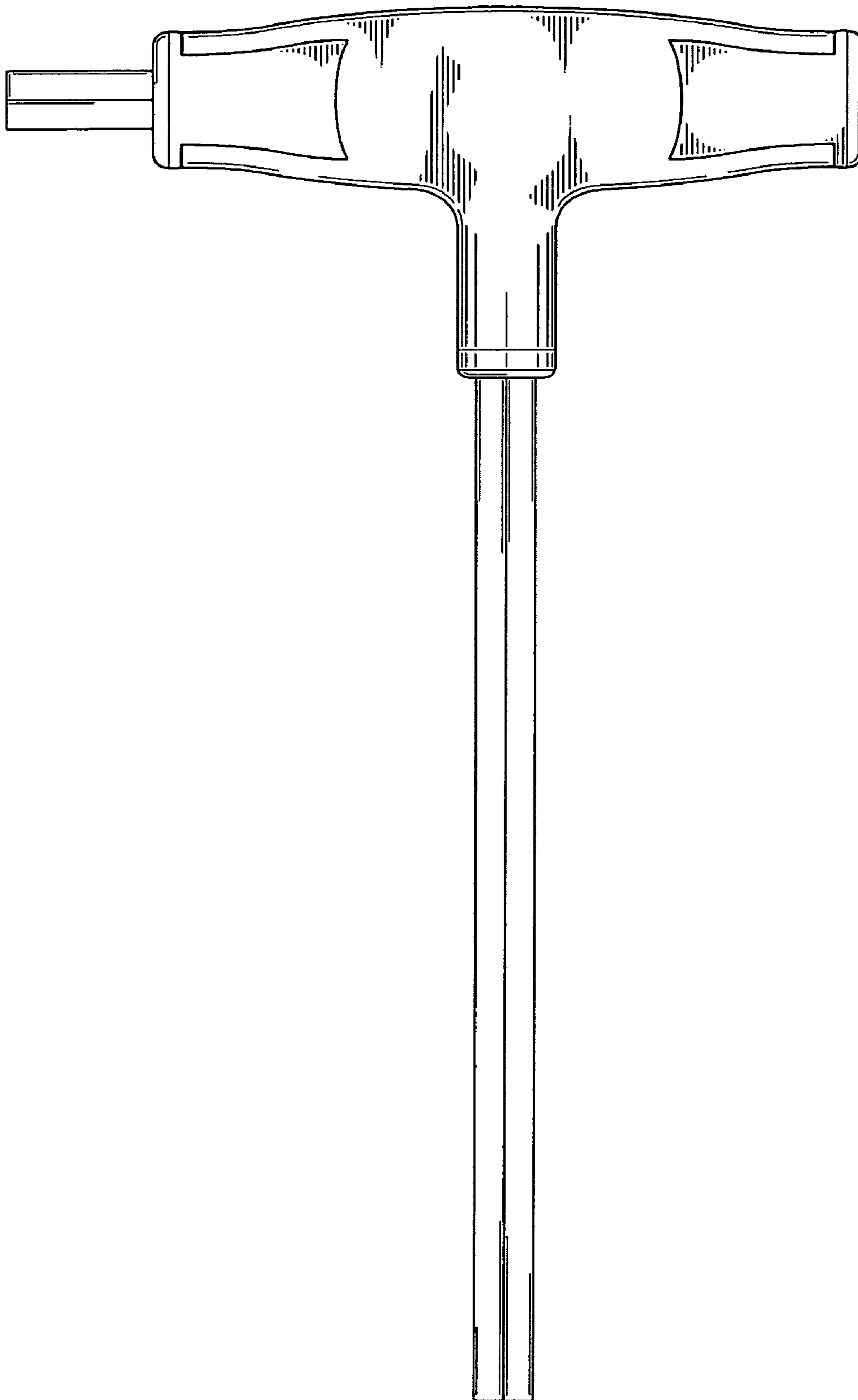


Fig. 2

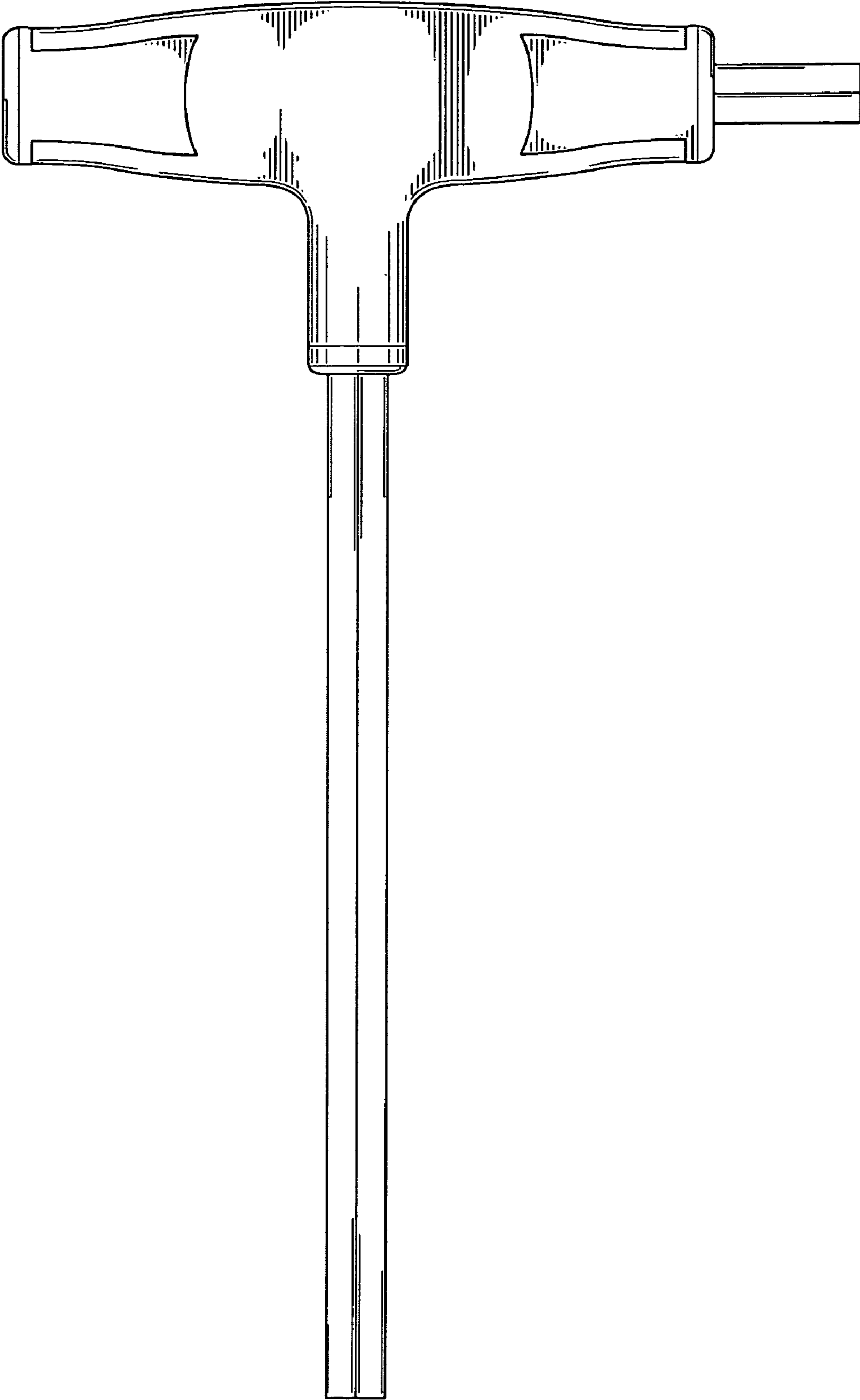


Fig. 3

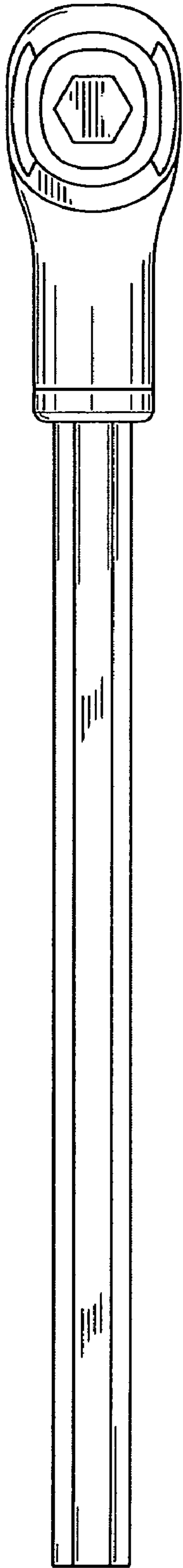


Fig. 4

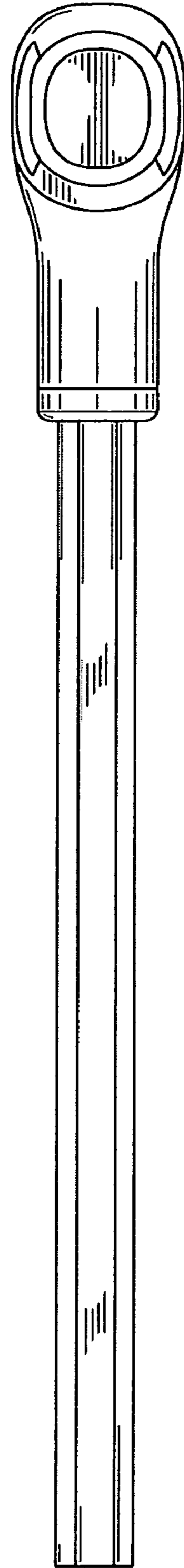


Fig. 5

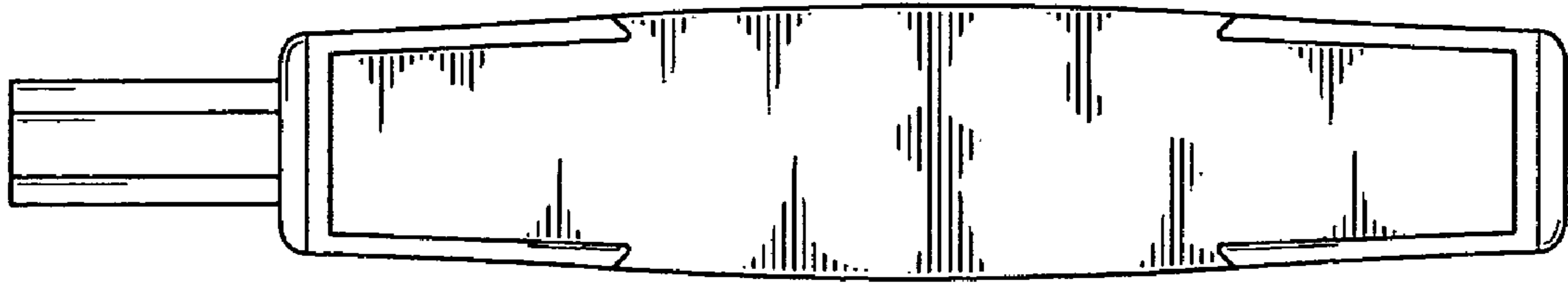


Fig. 6

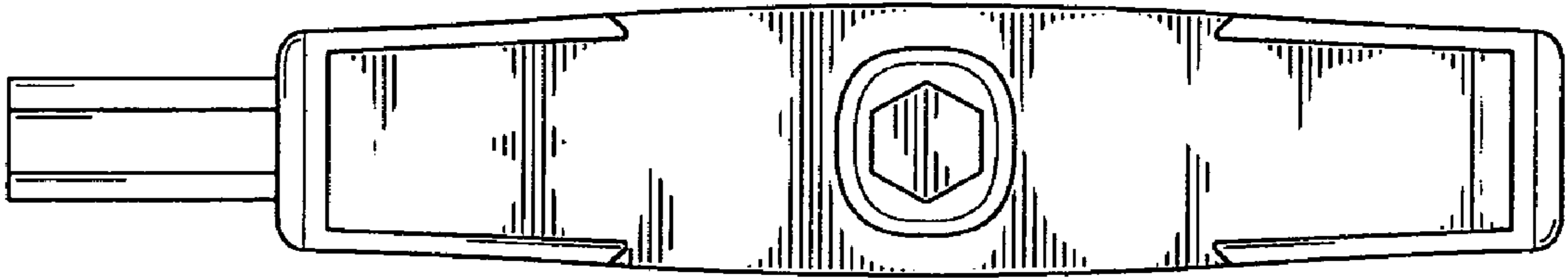


Fig. 7