



US00D547621S

(12) **United States Design Patent**
Ku

(10) **Patent No.: US D547,621 S**

(45) **Date of Patent: ** Jul. 31, 2007**

(54) **WINEGLASSES HOLDER RACK**

Primary Examiner—Terry A. Wallace

(74) *Attorney, Agent, or Firm*—Charles E. Baxley

(75) **Inventor: Tai-Hua Mark Ku, Delta (CA)**

(73) **Assignee: Mars Industries Inc., Delta, B.C. (CA)**

(57) **CLAIM**

(**) **Term: 14 Years**

The ornamental design for a wineglasses holder rack, as shown and described.

(21) **Appl. No.: 29/269,608**

(22) **Filed: Dec. 4, 2006**

DESCRIPTION

(51) **LOC (8) Cl. 07-06**

(52) **U.S. Cl. D7/704**

(58) **Field of Classification Search** D7/701–708,
D7/600.1–600.4; D6/405, 411, 457, 458,
D6/462, 465; 211/13.1, 30, 33, 74, 77, 78,
211/71.01, 70.6, 70.7; 248/116, 121, 176.1
See application file for complete search history.

FIG. 1 is a perspective view of a wineglasses holder rack showing my new design;

FIG. 2 is a front elevational view thereof;

FIG. 3 is a rear elevational view thereof;

FIG. 4 is a left side elevational view thereof;

FIG. 5 is a right side elevational view thereof;

FIG. 6 is a top plan view thereof;

FIG. 7 is a bottom plan view thereof; and,

FIG. 8 is a reduced top, front, and right side perspective view of a wineglasses holder rack, with the broken-line showing of wineglasses and a card for illustrative purposes only and forming no part of the claimed design.

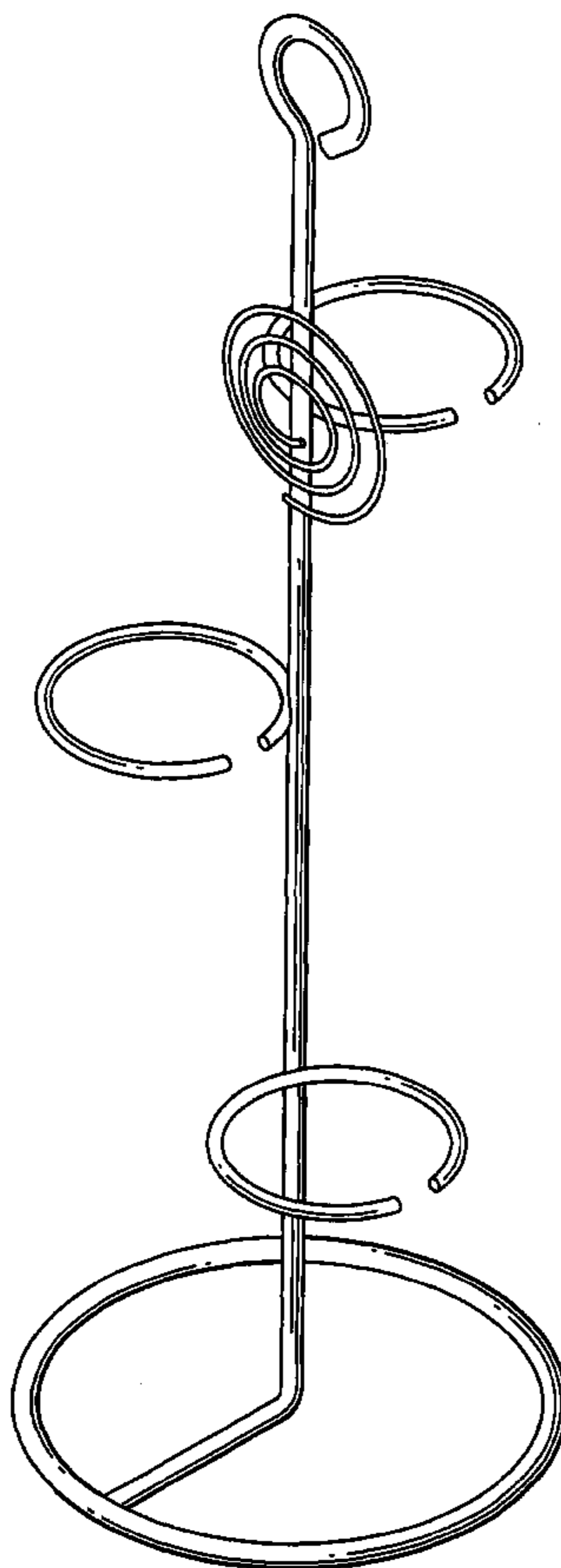
(56) **References Cited**

U.S. PATENT DOCUMENTS

D178,752 S *	9/1956	Berg	D7/704
D393,783 S *	4/1998	Goodman	D7/704
D403,212 S *	12/1998	Doret, Jr.	D7/600.2
D404,980 S *	2/1999	Goodman	D7/704
D447,393 S *	9/2001	Bodum	D7/707

* cited by examiner

1 Claim, 7 Drawing Sheets



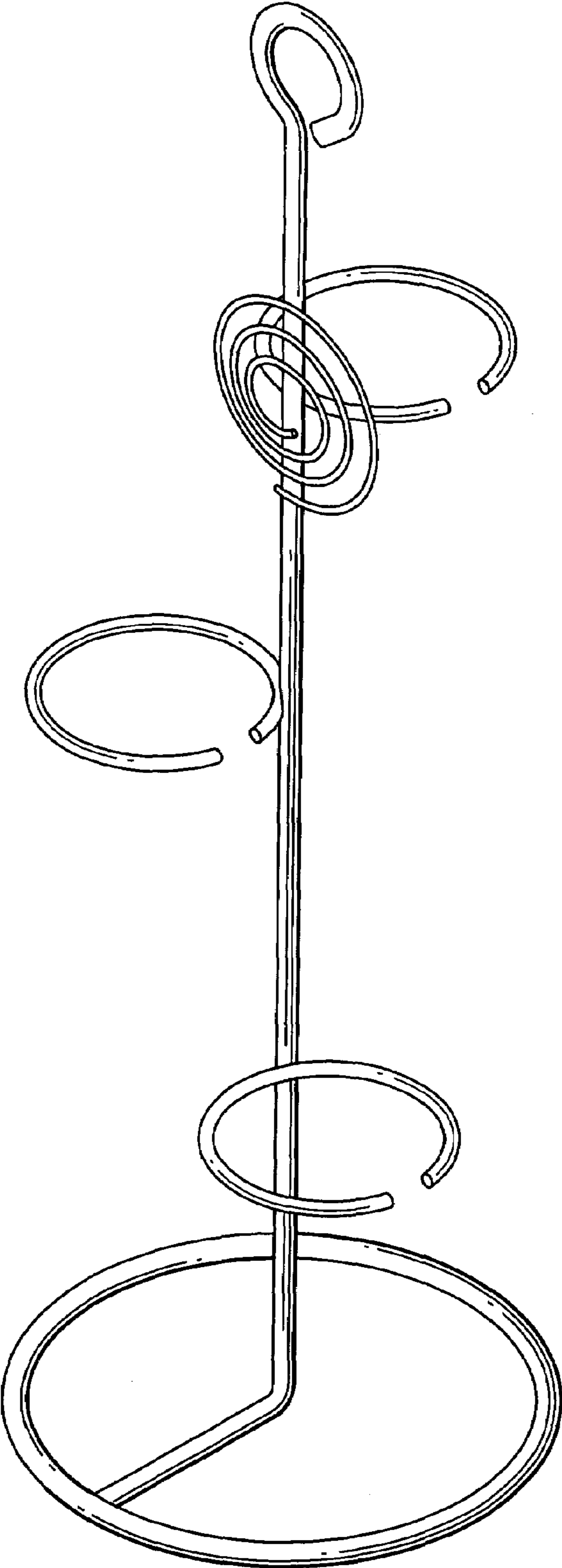


FIG. 1

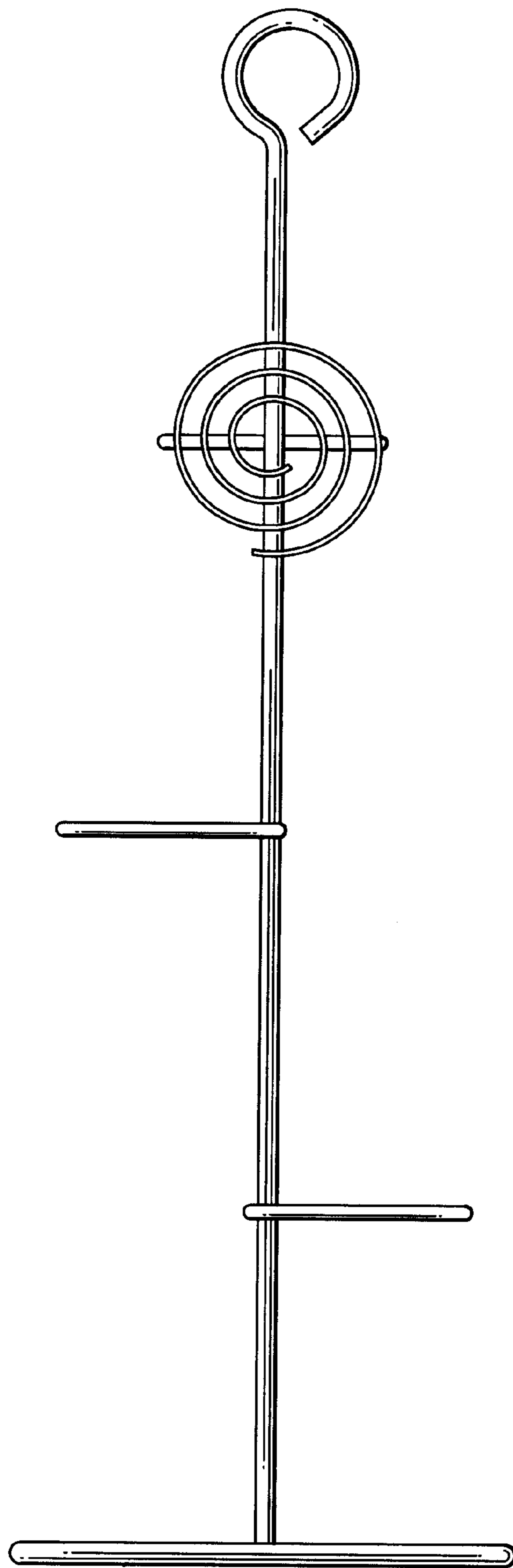


FIG. 2

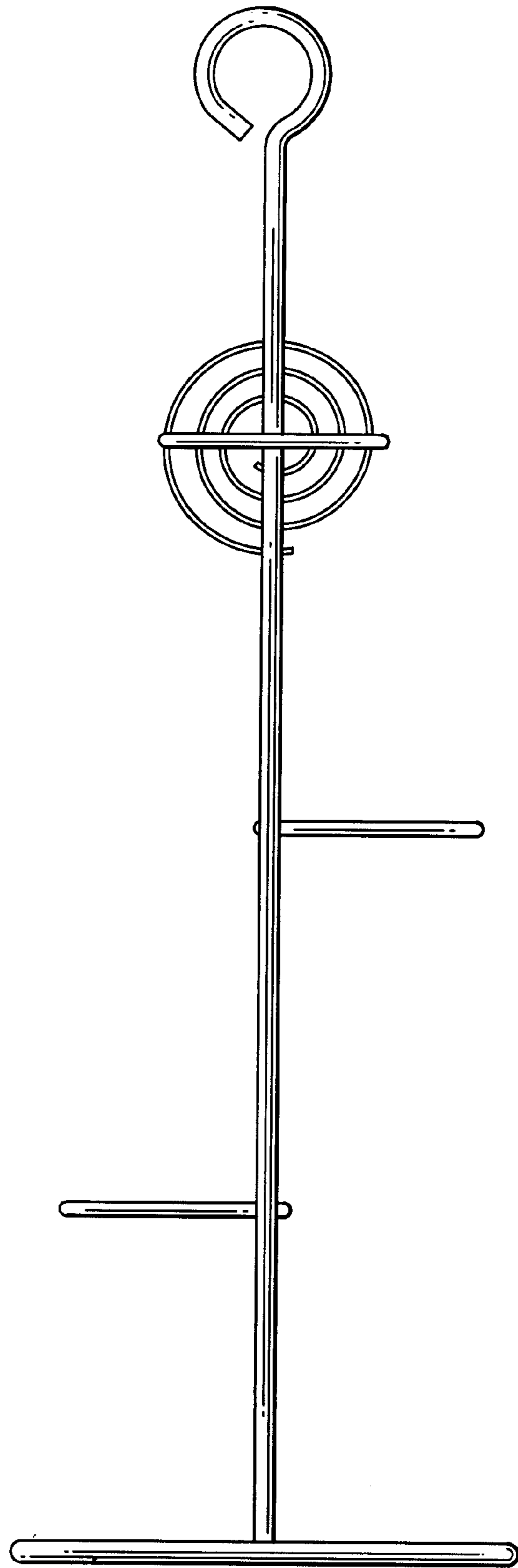


FIG. 3

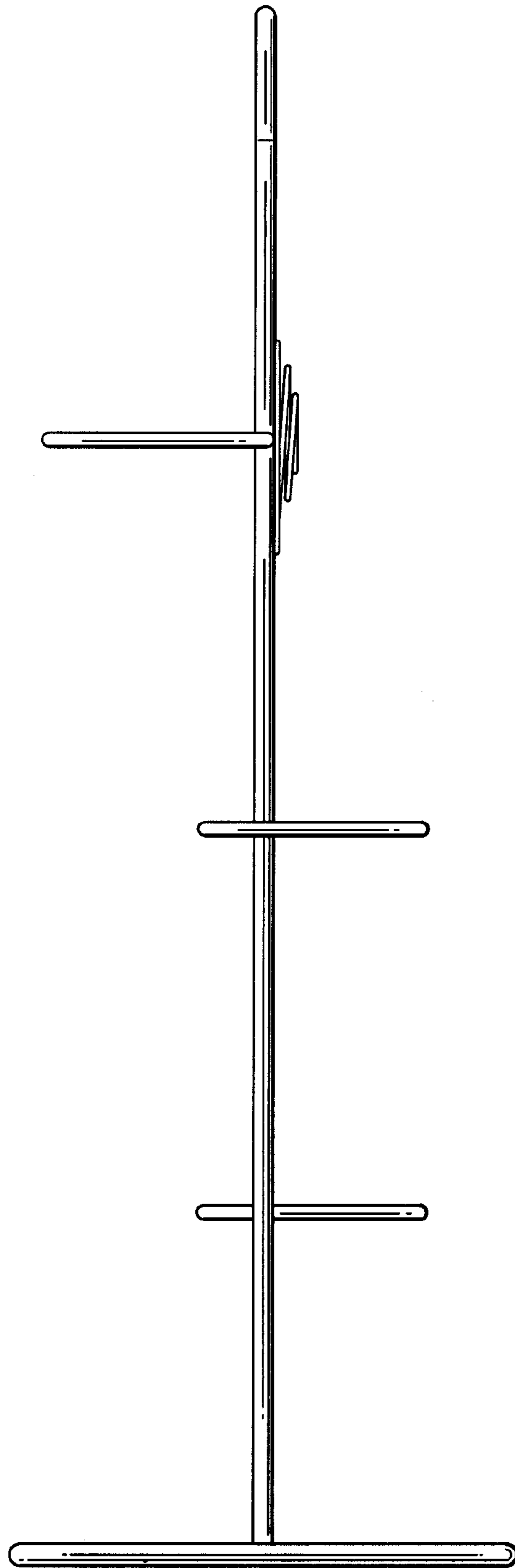


FIG. 4

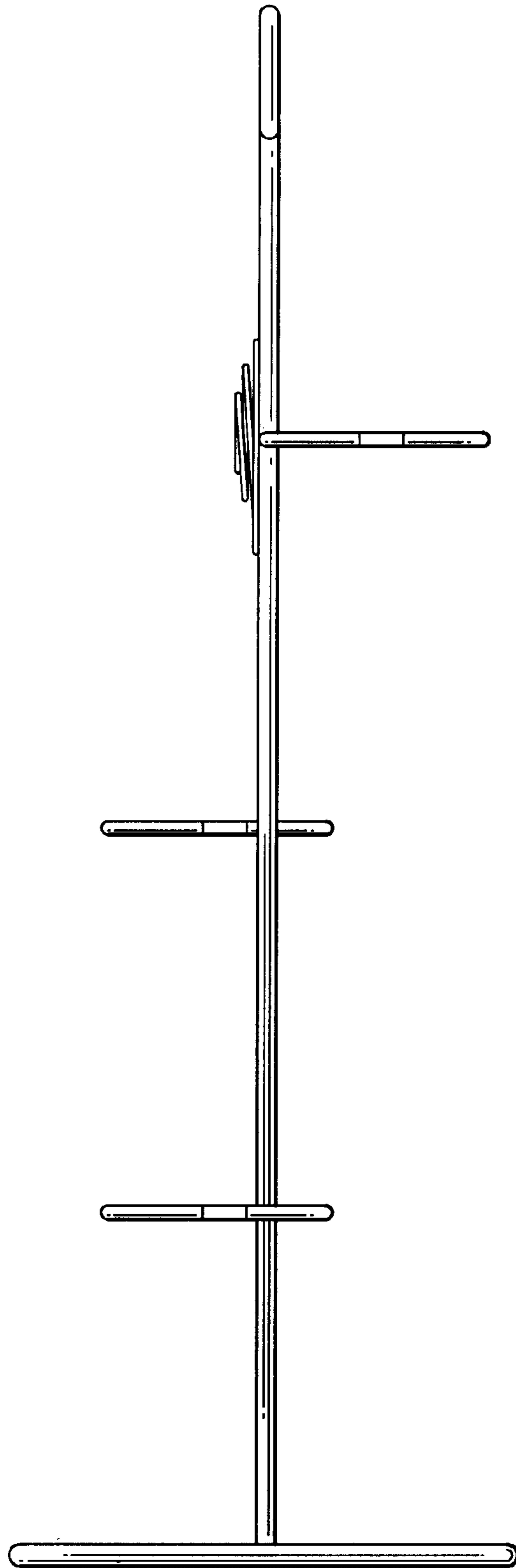


FIG. 5

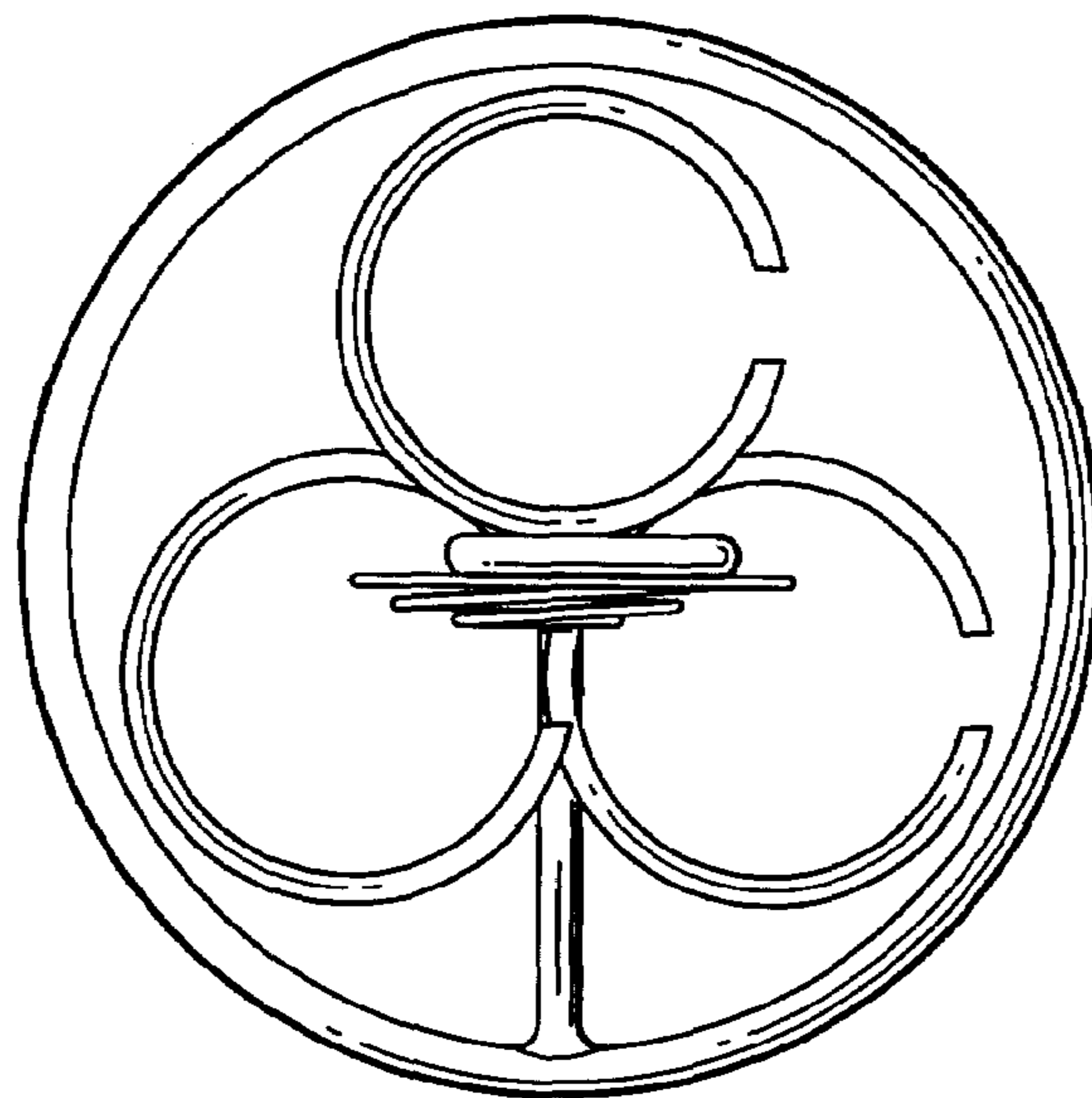


FIG. 6

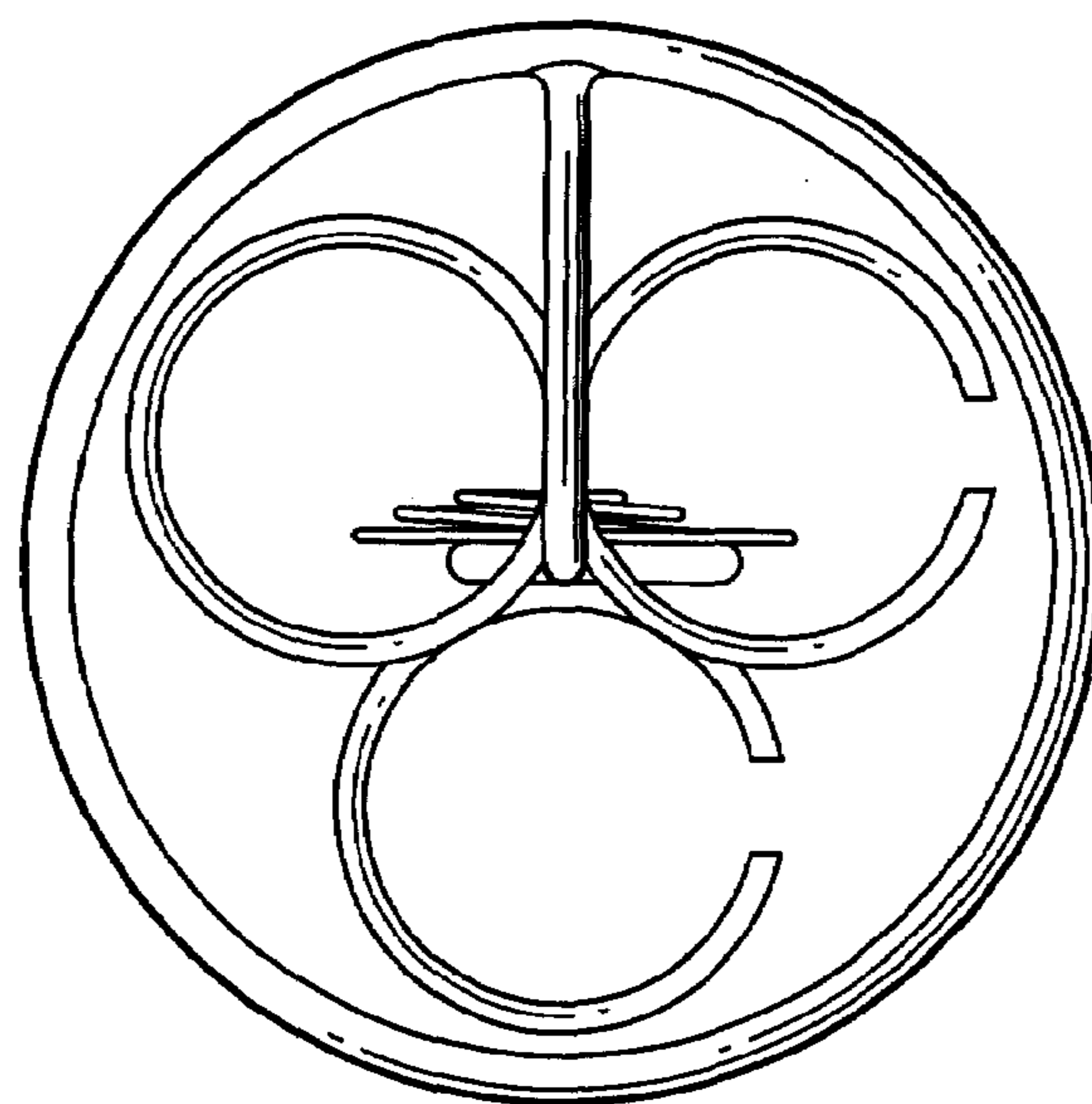


FIG. 7

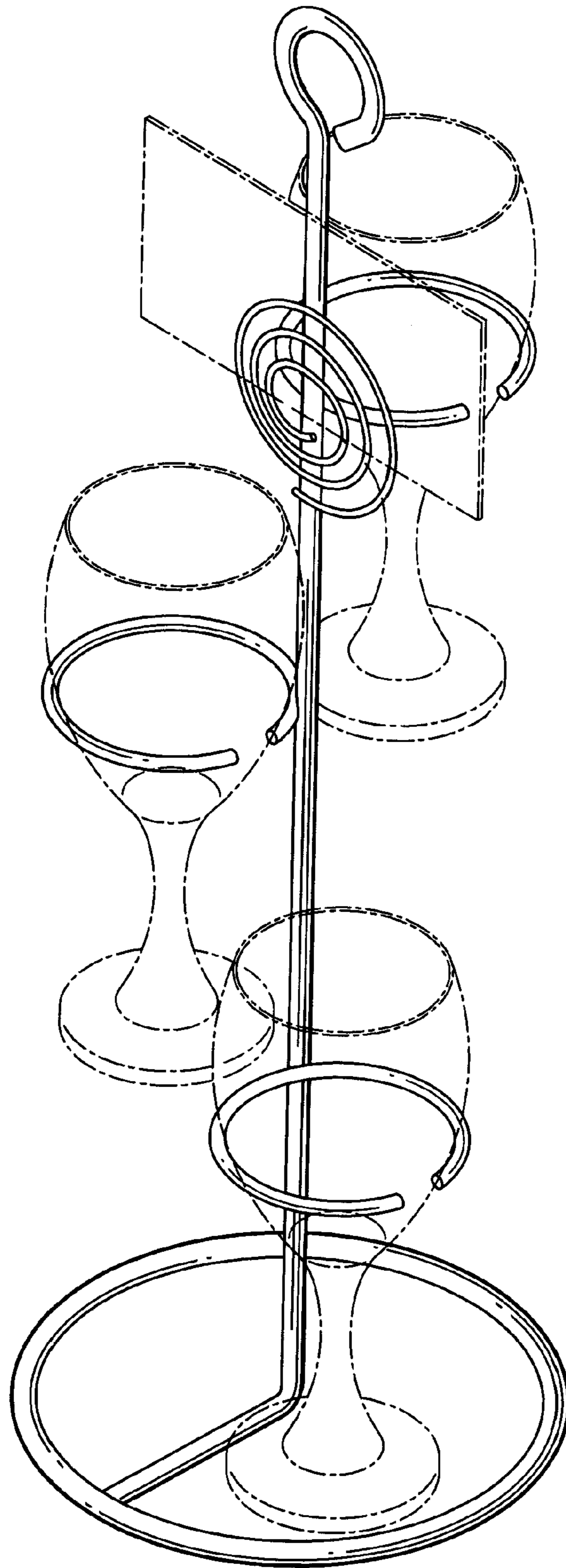


FIG. 8