

US00D547620S

(12) **United States Design Patent** (10) **Patent No.:** **US D547,620 S**  
**Walzak et al.** (45) **Date of Patent:** **\*\* Jul. 31, 2007**

(54) **MANGO SLICER**

(75) Inventors: **Kevin Leo Walzak**, Syracuse, NY  
(US); **Alexander Lee**, New York, NY  
(US); **Marco Perry**, Brooklyn, NY  
(US)

(73) Assignee: **Helen of Troy Limited**, St. Michael  
(BB)

(\*\*) Term: **14 Years**

(21) Appl. No.: **29/268,895**

(22) Filed: **Nov. 15, 2006**

D149,622 S	5/1948	Dougherty	
2,513,505 A	7/1950	McKinnon	
2,971,549 A	2/1961	Langville	
3,936,934 A	2/1976	Bowden	
D246,411 S *	11/1977	Blanchard	D7/673
4,490,912 A *	1/1985	Hirano	30/302
4,546,545 A	10/1985	Hirano	
D287,452 S	12/1986	Stern	
4,681,000 A	7/1987	Wolters	
4,959,903 A	10/1990	Daoust et al.	
5,199,350 A	4/1993	Lin	
5,373,781 A	12/1994	Knasel	
5,463,943 A	11/1995	Knasel	
D413,771 S	9/1999	So	
D432,874 S *	10/2000	Kari	D7/673
D473,109 S	4/2003	Birchansky	
2004/0093738 A1	5/2004	Mauro	

**Related U.S. Application Data**

(63) Continuation of application No. 11/193,693, filed on Jul. 29, 2005.

(51) **LOC (8) Cl.** ..... **07-04**

(52) **U.S. Cl.** ..... **D7/673**

(58) **Field of Classification Search** ..... D7/672,  
D7/673, 675; 30/114, 113.1-113.3, 117,  
30/130, 294, 299, 301-303, 312-316; 99/542-545,  
99/547, 549, 550, 554, 559, 562  
See application file for complete search history.

(56) **References Cited**

**U.S. PATENT DOCUMENTS**

195,750 A	10/1877	East	
204,217 A	5/1878	Hatch	
726,707 A	4/1903	Lavender	
824,445 A	6/1906	Scott	
1,148,488 A	7/1915	Kellaway et al.	
1,455,323 A	5/1923	Cummins	
1,466,114 A *	8/1923	Buchi	30/302
1,539,156 A	5/1925	Burgess	
1,646,564 A	10/1927	Vaughan	
1,744,422 A	1/1930	Taylor	
1,821,971 A	9/1931	Ichijyo	
2,113,500 A	4/1938	Stathem	
D114,471 S *	4/1939	Rosenbeg	D7/673
D131,301 S	2/1942	Jacobsen	

**OTHER PUBLICATIONS**

Good Grips Apple Divider, OXO International Ltd. Catalog <[http://www.oxo.com/catalog/product\\_info.php?products\\_id=350](http://www.oxo.com/catalog/product_info.php?products_id=350)> Cited in Parent.

\* cited by examiner

*Primary Examiner*—Terry A. Wallace

(74) *Attorney, Agent, or Firm*—Seyfarth Shaw LLP

(57) **CLAIM**

The ornamental design for the mango slicer, as shown and described.

**DESCRIPTION**

FIG. 1 is a perspective view of the mango slicer showing our new design;

FIG. 2 is a top plan view thereof;

FIG. 3 is a side elevational view of one side thereof, the other side being identical;

FIG. 4 is an end elevational view of one end thereof, the other end being identical; and,

FIG. 5 is a bottom plan view thereof.

**1 Claim, 1 Drawing Sheet**

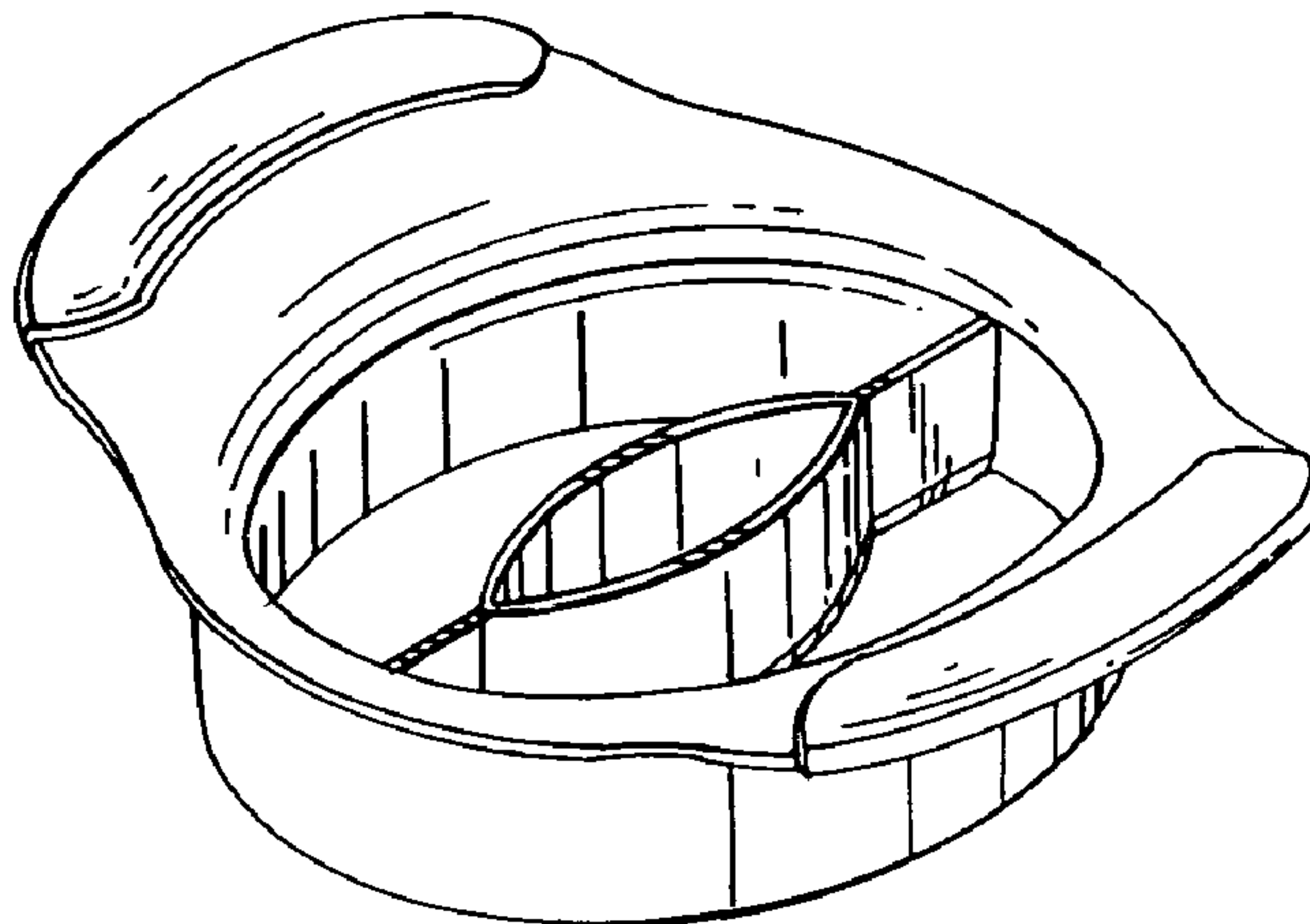


FIG. 1

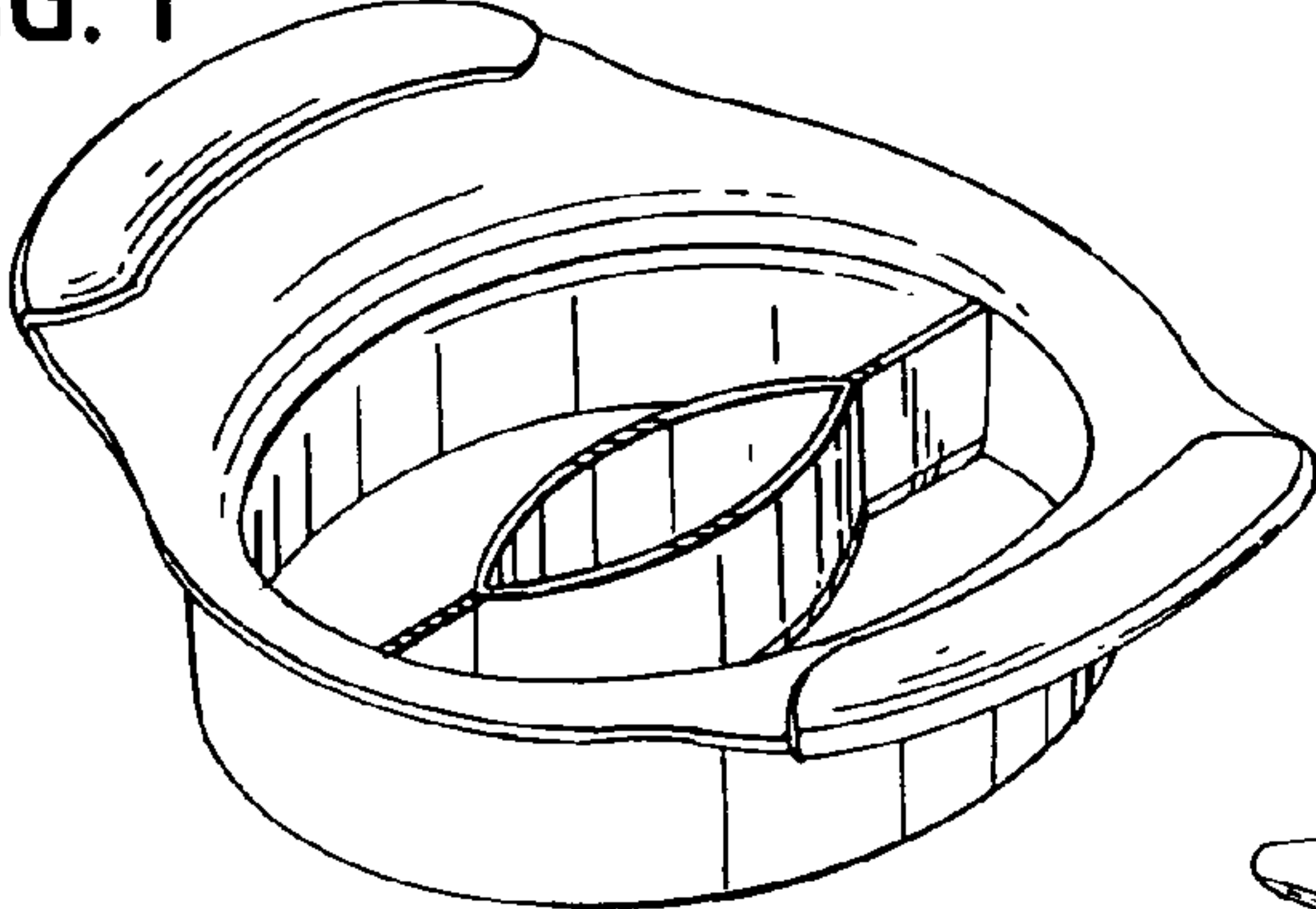


FIG. 2

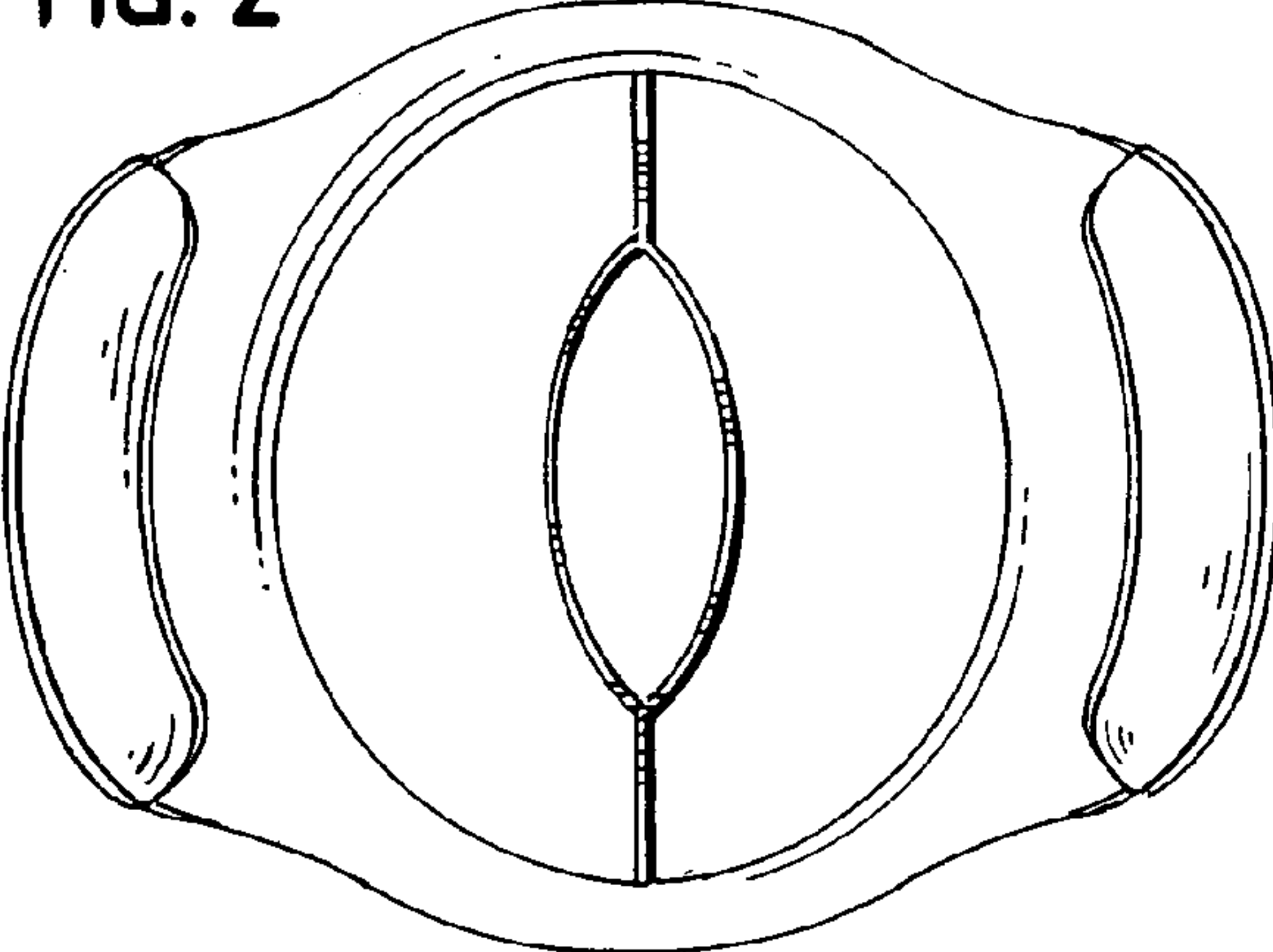


FIG. 3

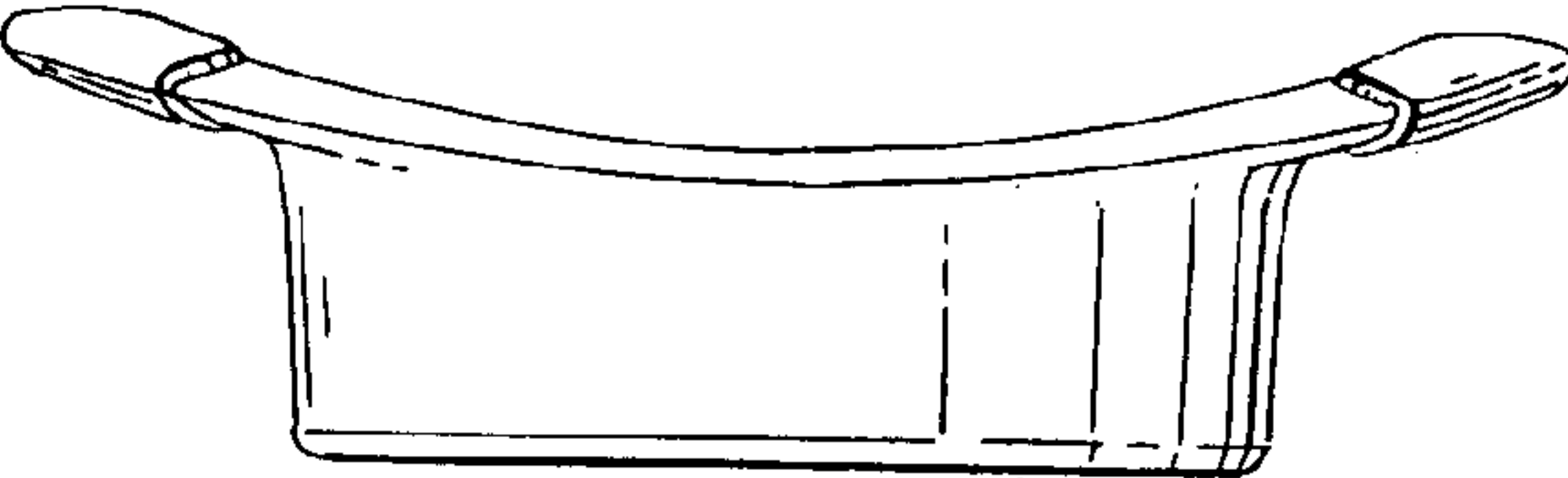


FIG. 4

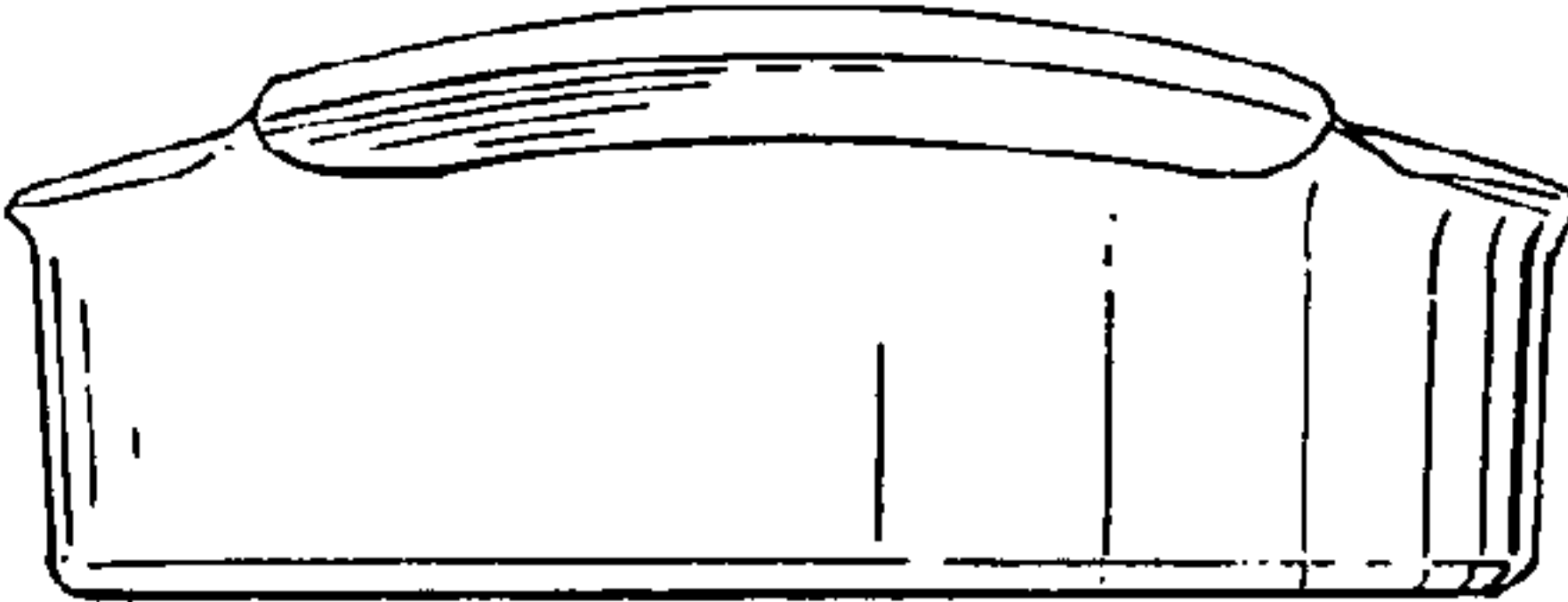


FIG. 5

