

US00D547619S

(12) **United States Design Patent**
Goodman et al.

(10) **Patent No.:** **US D547,619 S**

(45) **Date of Patent:** **** Jul. 31, 2007**

(54) **SPOON REST**

6,505,746 B1 * 1/2003 Johnson 211/70.7

(75) Inventors: **Sheldon H. Goodman**, Solon, OH
(US); **Kent W. Murphy**, Wooster, OH
(US)

* cited by examiner

Primary Examiner—Terry A. Wallace
(74) *Attorney, Agent, or Firm*—Pearne & Gordon LLP

(73) Assignee: **Spectrum Diversified Designs, Inc.**,
Streetsboro, OH (US)

(57) **CLAIM**

(**) Term: **14 Years**

The ornamental design for a spoon rest, as shown and described.

(21) Appl. No.: **29/250,322**

DESCRIPTION

(22) Filed: **Nov. 10, 2006**

FIGS. 1 and 2 are perspective views of a spoon rest showing our new design;

(51) **LOC (8) Cl.** **07-07**

FIG. 3 is a top plan view thereof;

(52) **U.S. Cl.** **D7/637**

FIG. 4 is a front elevational view thereof;

(58) **Field of Classification Search** D7/637-641,
D7/601; 211/60.1, 70.6, 70.7, 74, 13.1; 249/37.3,
249/37.6, 311.2, 126, 309.1

FIG. 5 is a right side elevational view thereof;

FIG. 6 is a left side elevational view thereof;

See application file for complete search history.

FIG. 7 is a bottom plan view thereof; and,

FIG. 8 is a rear elevational view thereof.

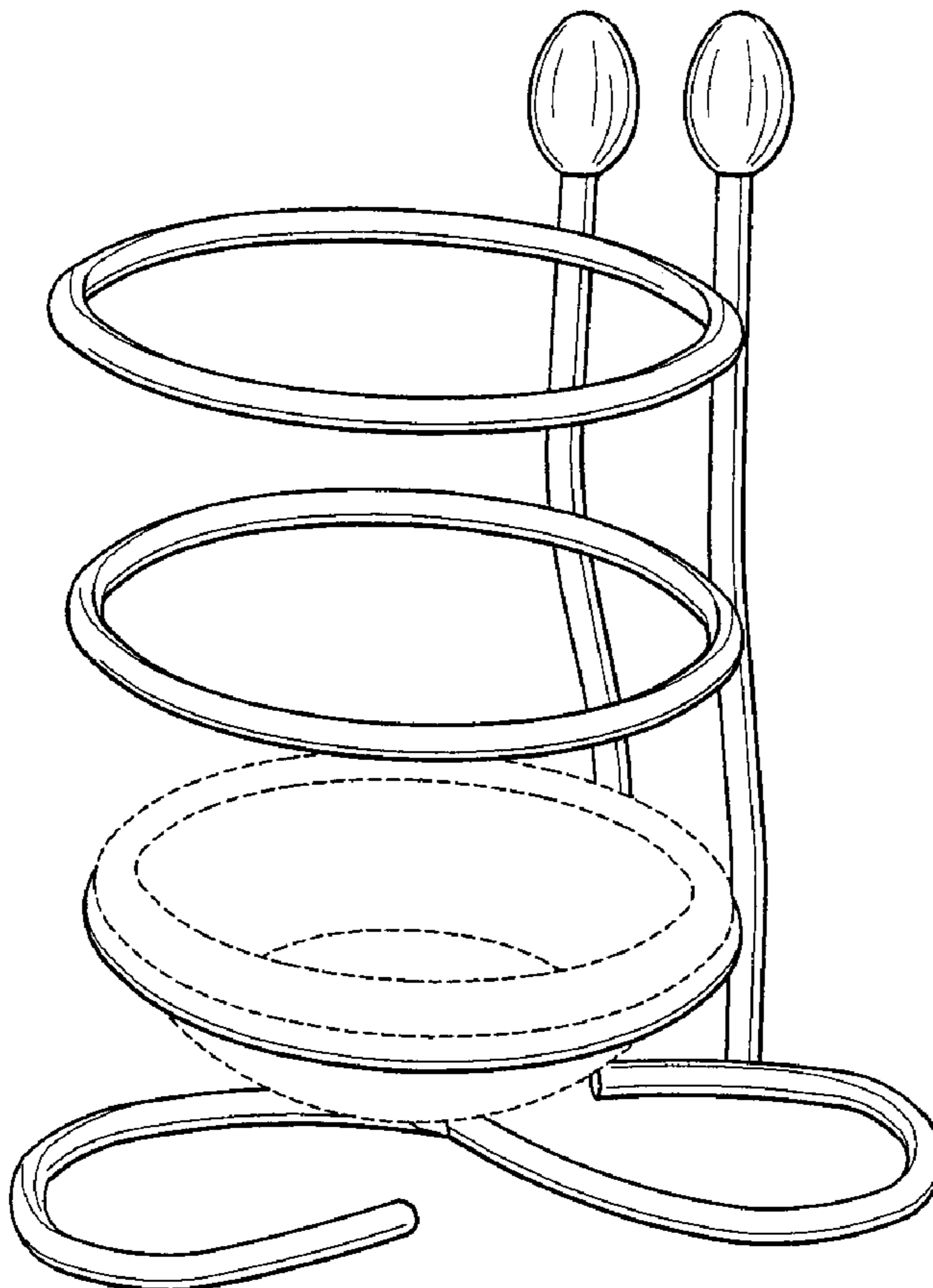
(56) **References Cited**

The broken-line disclosure of elements in the views is for illustrative purposes only and forms no part of the claimed design.

U.S. PATENT DOCUMENTS

- D317,845 S * 7/1991 Wolff et al. D7/637
- D394,370 S * 5/1998 Hollinger D7/637
- D397,000 S * 8/1998 Goodman et al. D7/637

1 Claim, 4 Drawing Sheets



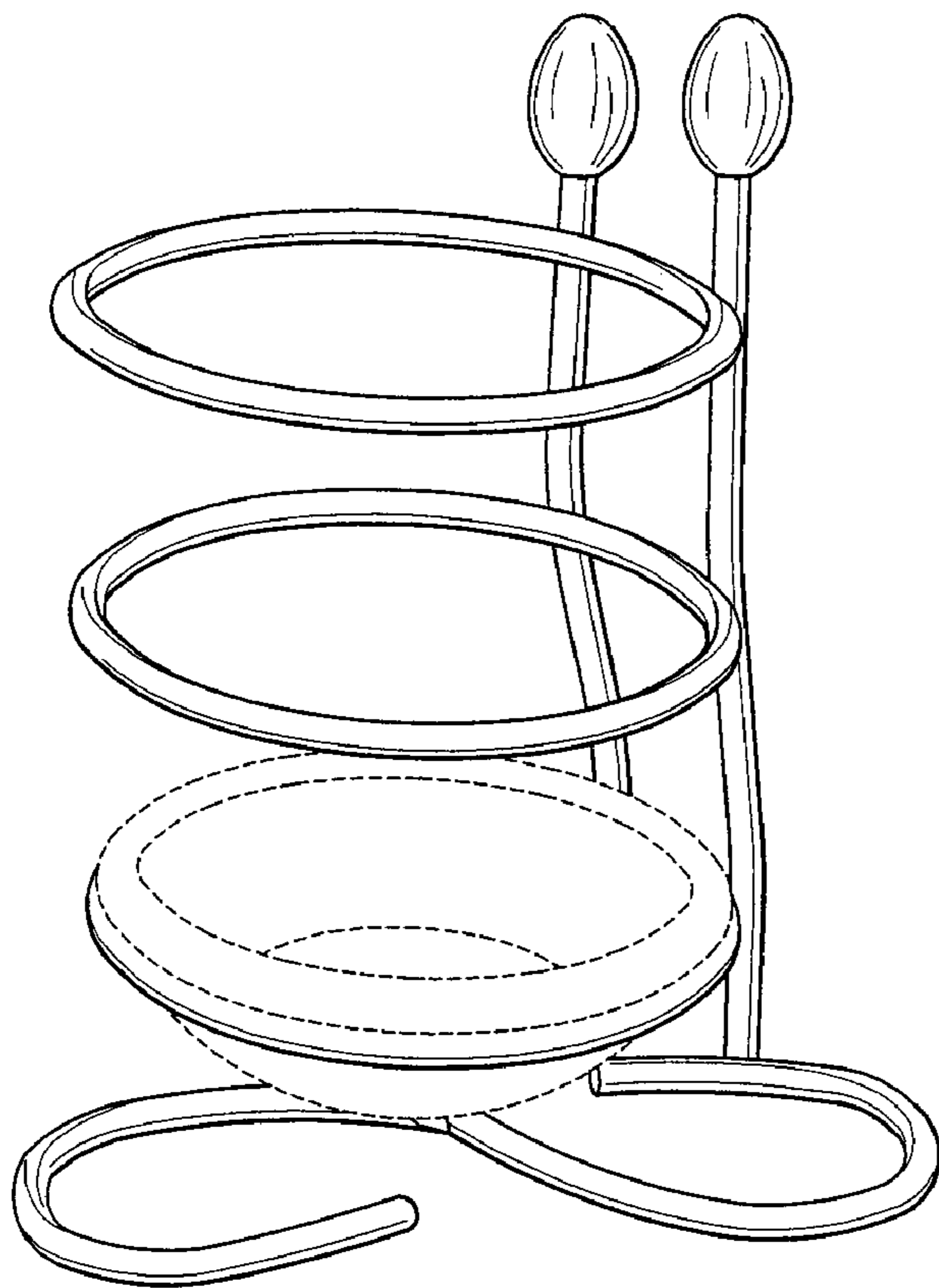


FIG. 1

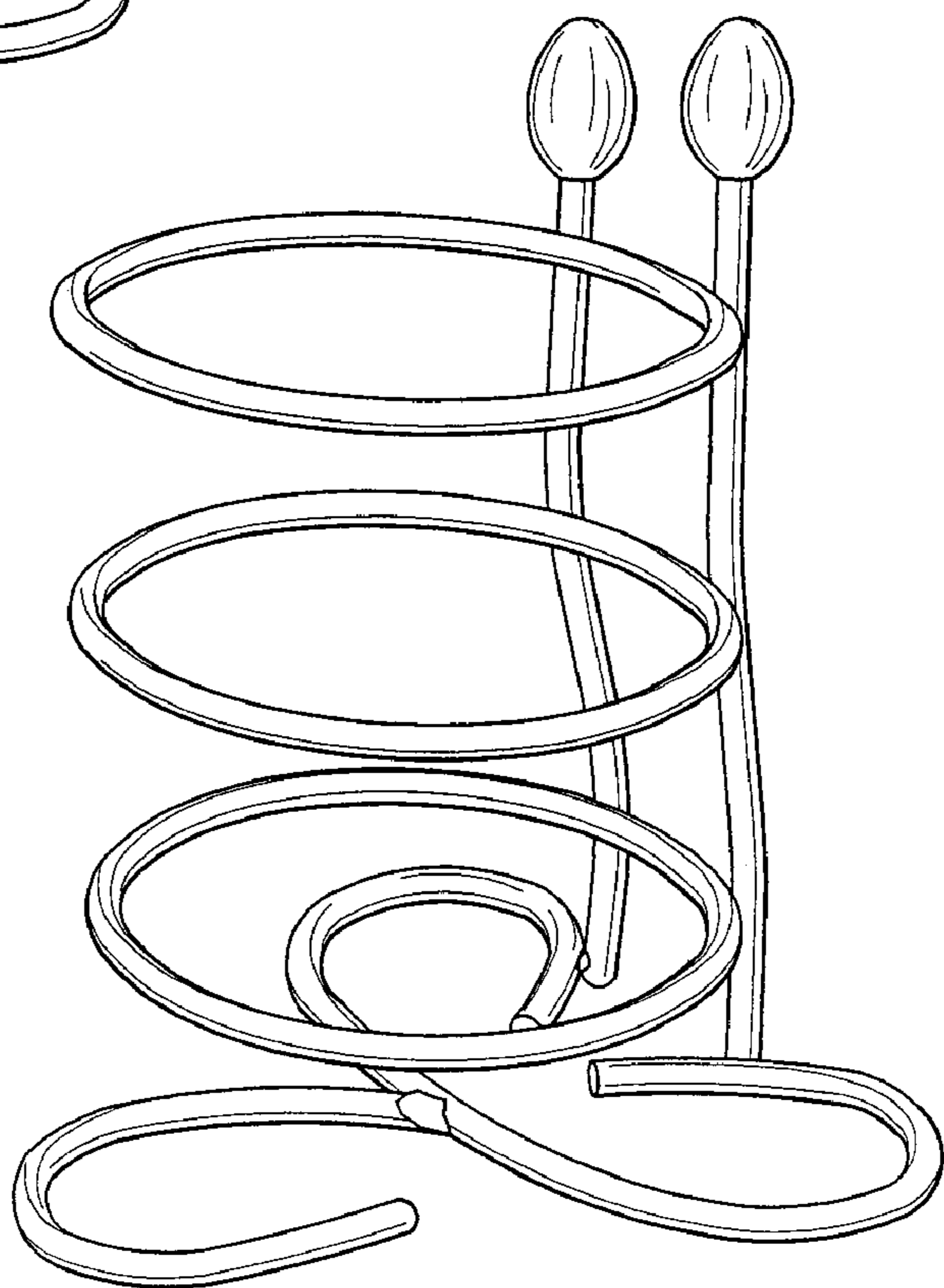


FIG. 2

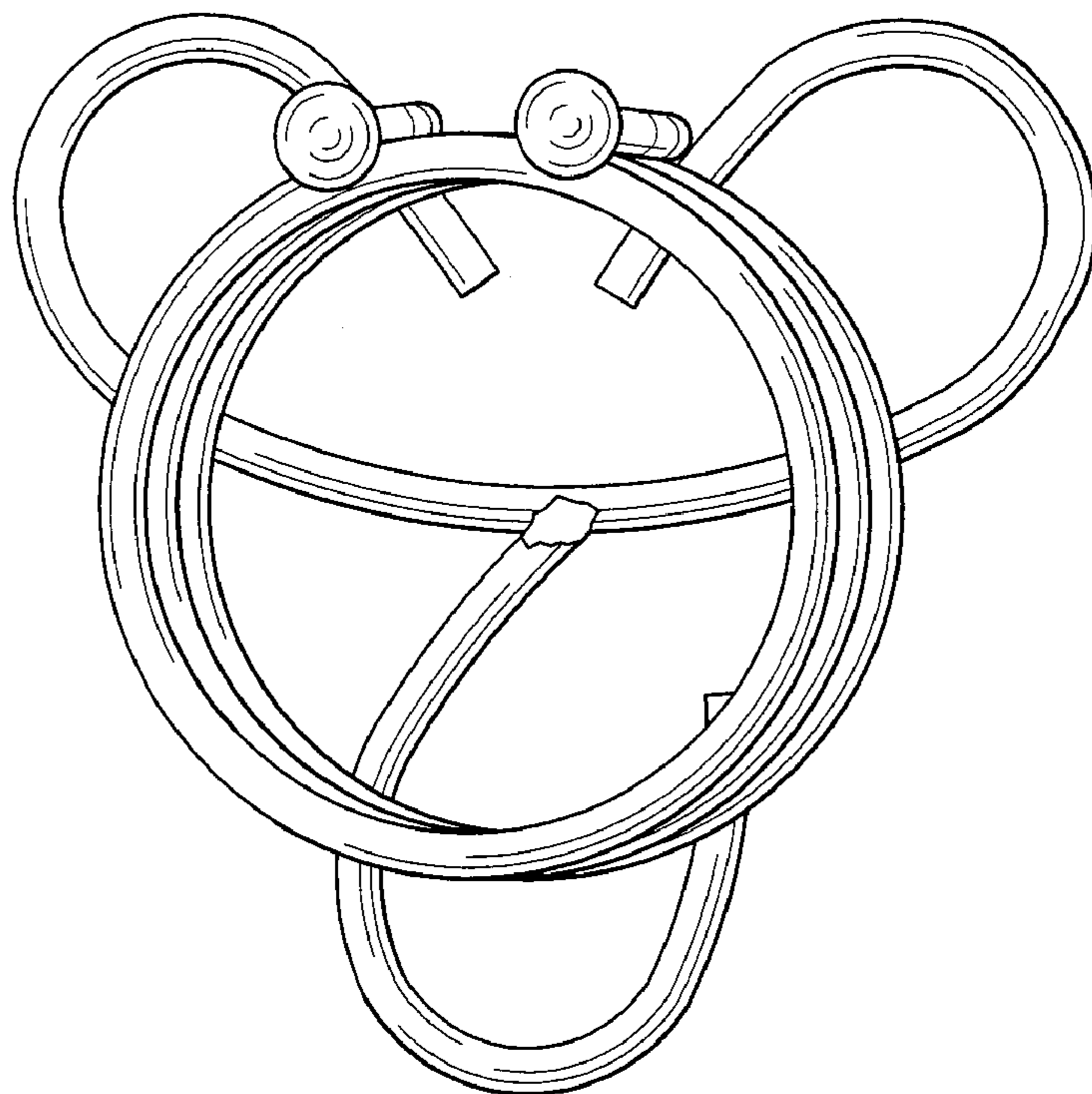


FIG. 3

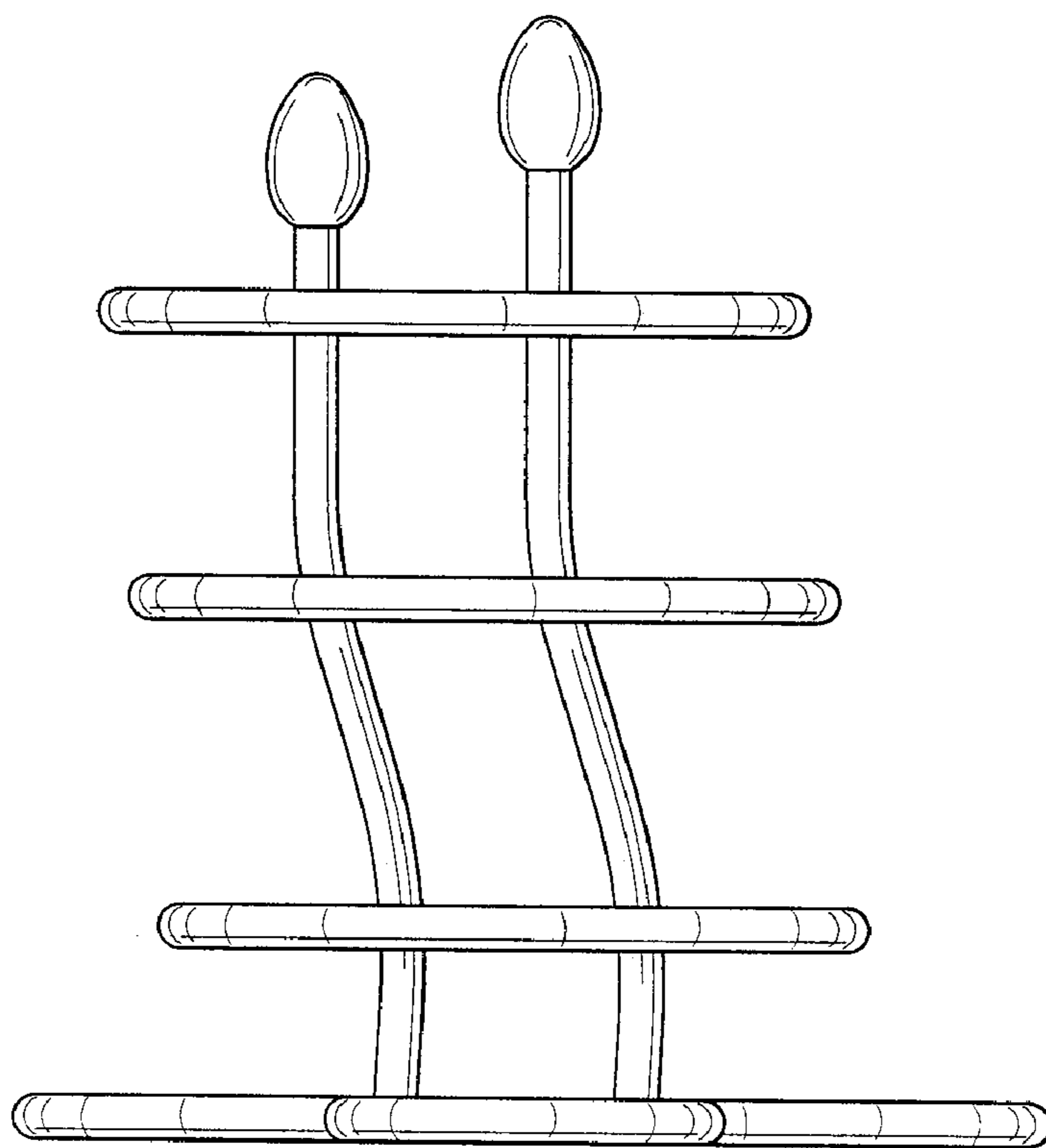


FIG. 4

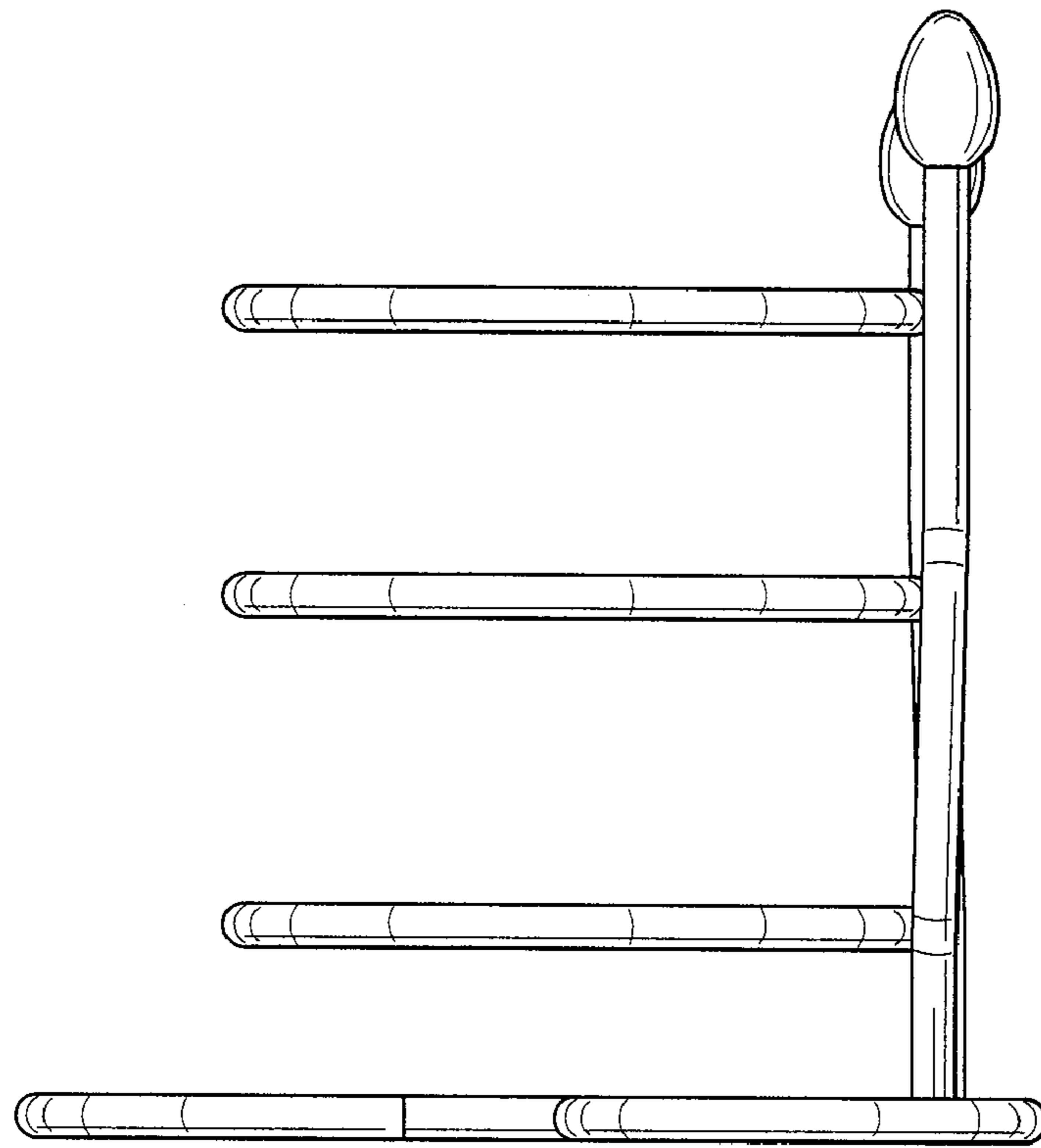


FIG. 5

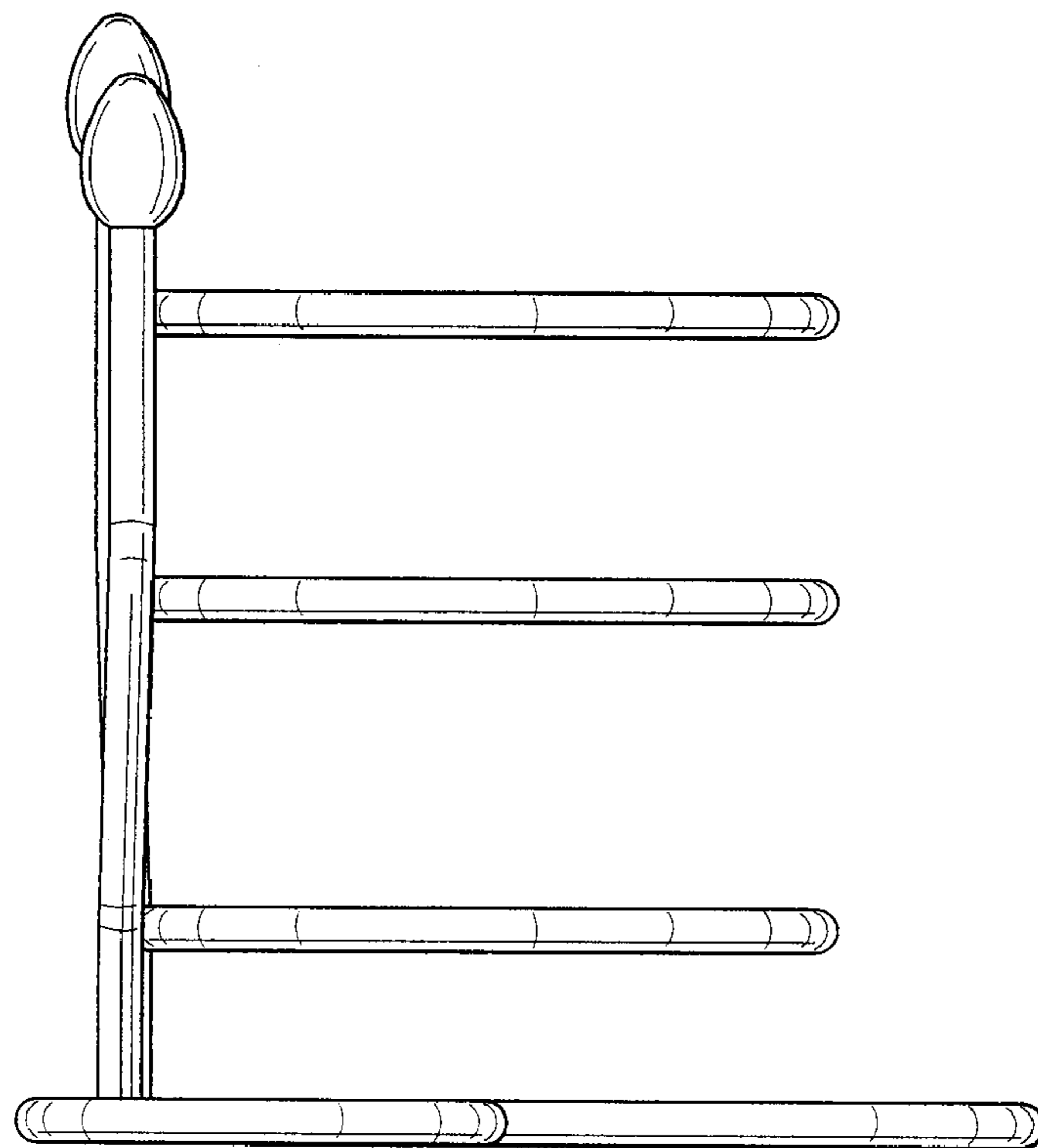


FIG. 6

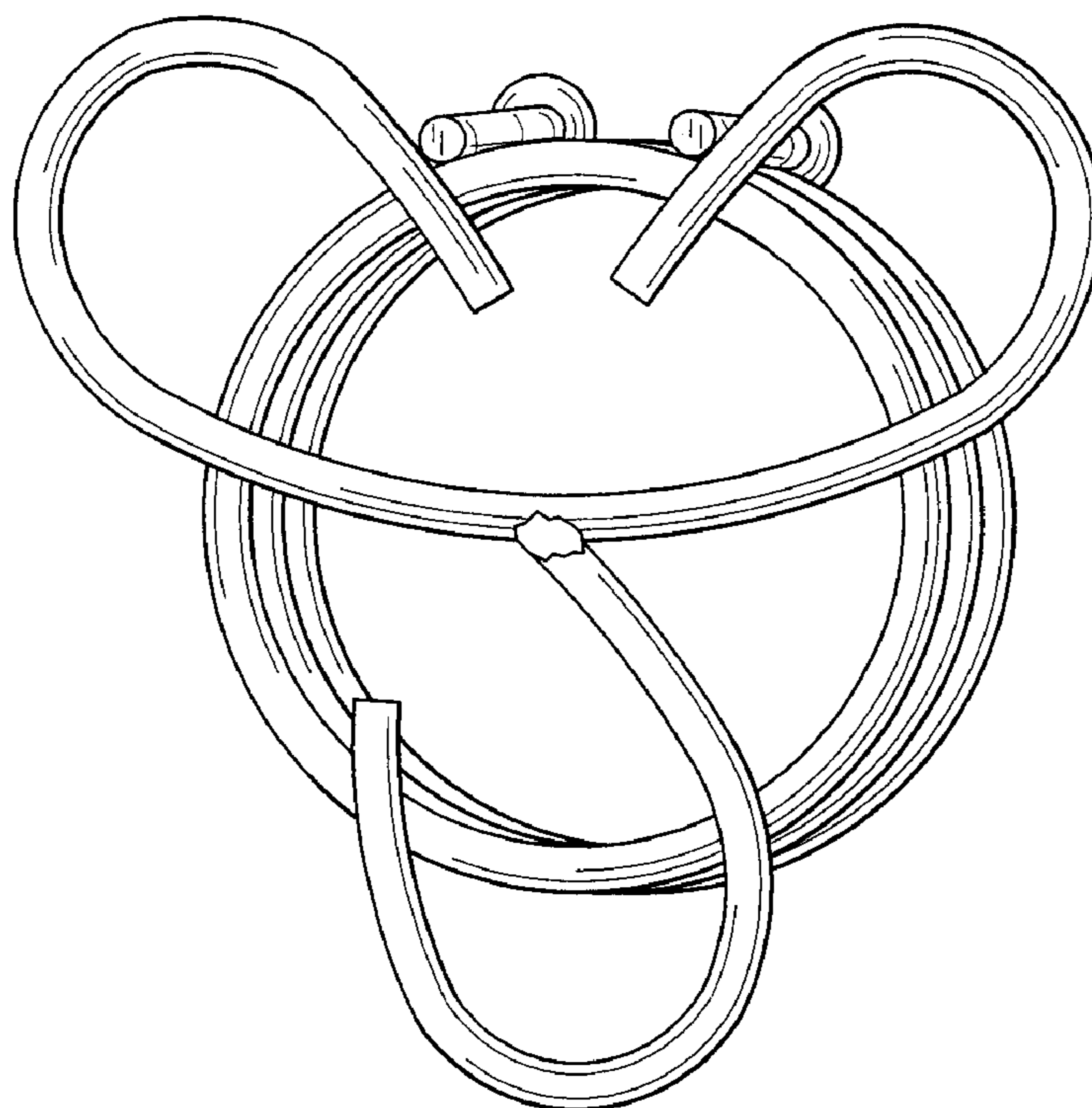


FIG. 7

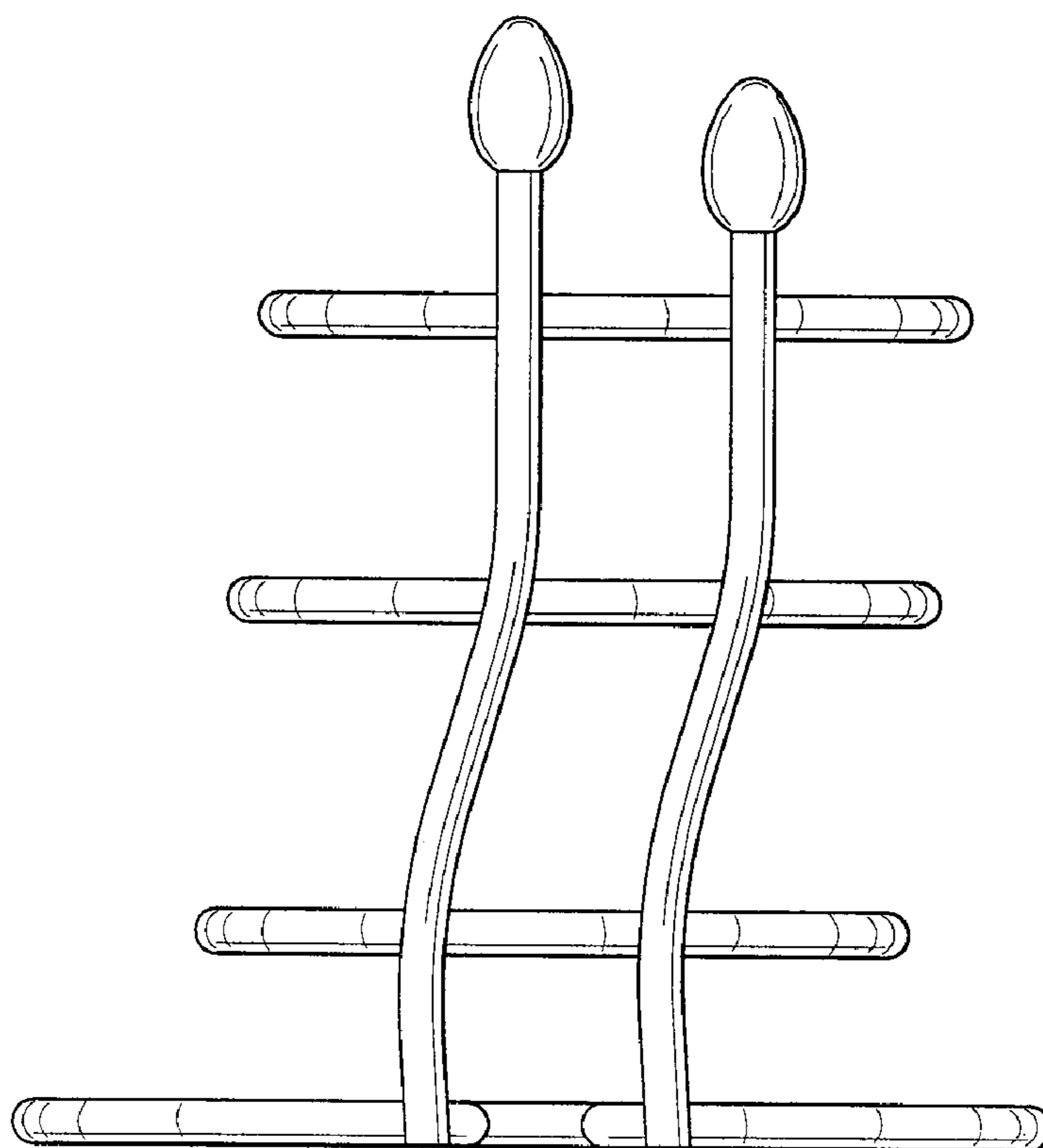


FIG. 8