



US00D547617S

(12) **United States Design Patent**
Jones et al.

(10) **Patent No.:** **US D547,617 S**
(45) **Date of Patent:** **** Jul. 31, 2007**

(54) **INSULATED CONTAINER**

(75) Inventors: **Andrew L. Jones**, Andover, KS (US);
Michael D. Brockel, Wichita, KS (US);
Timothy M. Holub, Cheney, KS (US);
Mitchell L. Wilgus, Andover, KS (US)

(73) Assignee: **The Coleman Company, Inc.**, Wichita,
KS (US)

(**) Term: **14 Years**

(21) Appl. No.: **29/249,072**

(22) Filed: **Sep. 19, 2006**

(51) **LOC (8) Cl.** **07-01**

(52) **U.S. Cl.** **D7/605**

(58) **Field of Classification Search** D7/605-608,
D7/709, 710; 62/457.1-457.7, 239, 371,
62/376, 3.62, 3.64; 220/592.16, 59.17, 592.2,
220/592.23-592.27, 915.1, 915.2; 280/47.1,
280/47.26, 47.37; D15/81; D12/423, 424;
190/18 A

See application file for complete search history.

(56) **References Cited**

U.S. PATENT DOCUMENTS

- 4,724,681 A * 2/1988 Bartholomew et al. 62/239
- 5,319,937 A * 6/1994 Fritsch et al. 62/3.62
- D357,354 S * 4/1995 Marchwiak et al. D3/279
- D370,159 S * 5/1996 Fenton et al. D7/605
- D400,053 S * 10/1998 Coffee et al. D7/605
- D451,765 S * 12/2001 Israel et al. D7/605
- D455,934 S * 4/2002 Culp et al. D7/605
- 6,364,329 B1 * 4/2002 Holub et al. 280/47.26

OTHER PUBLICATIONS

Coleman 2006 Outdoor Products Catalog, (pages related to coolers),
2005, pp. 114-123, The Coleman Company, Inc., Wichita, Kansas.

* cited by examiner

Primary Examiner—Terry A. Wallace

(74) *Attorney, Agent, or Firm*—Leydig, Voit & Mayer, Ltd.

(57) **CLAIM**

The ornamental design for an insulated container, as shown
and described.

DESCRIPTION

FIG. 1 is a side perspective view of an embodiment of our
new insulated container;

FIG. 2 is a front elevation view thereof;

FIG. 3 is a rear elevation view thereof;

FIG. 4 is a left side elevation view thereof;

FIG. 5 is a right side elevation view thereof;

FIG. 6 is a top plan view thereof;

FIG. 7 is a side perspective view of an alternate embodiment
of our new insulated container;

FIG. 8 is a left side elevation view thereof;

FIG. 9 is a right side elevation view thereof;

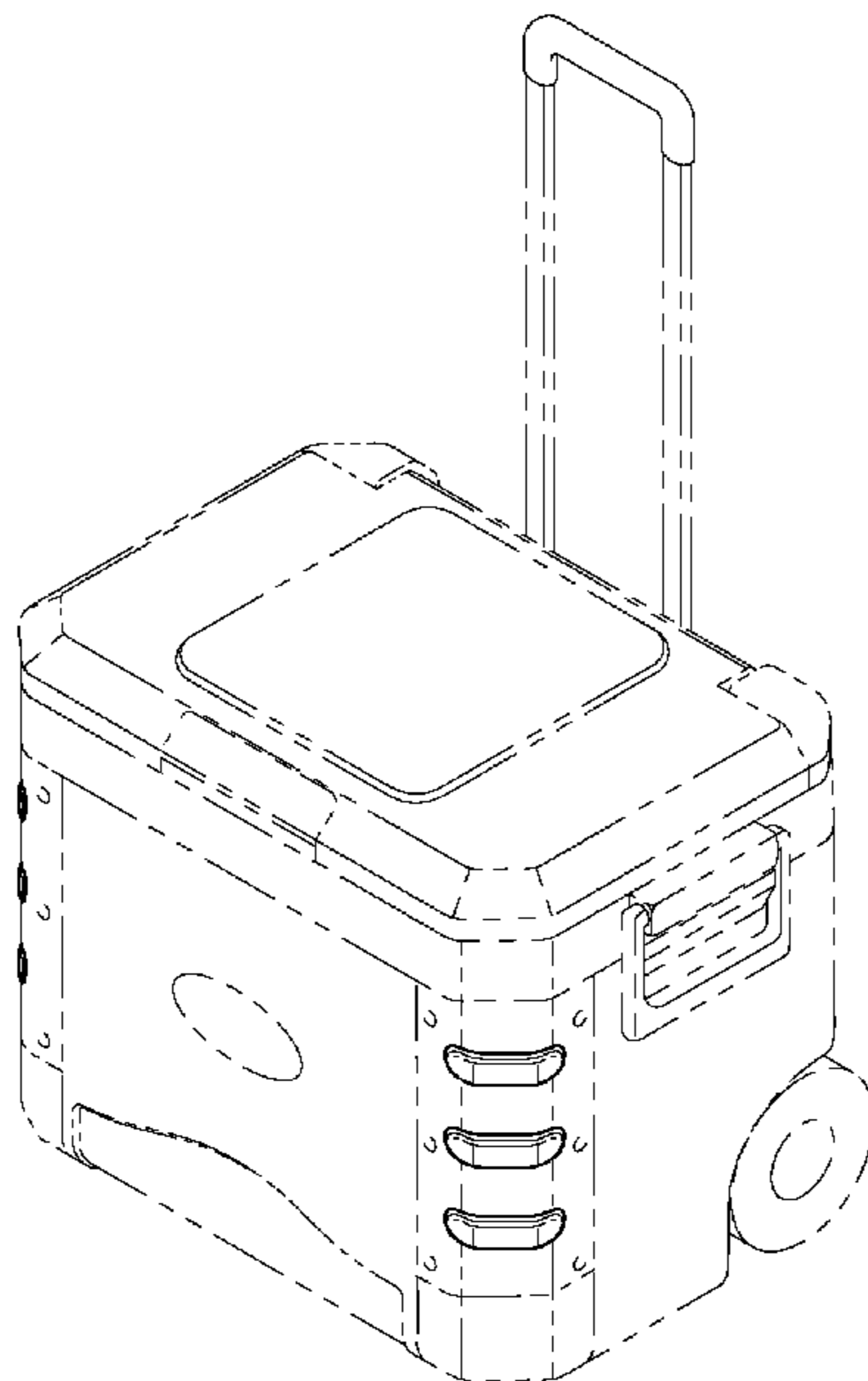
FIG. 10 is a front elevation view thereof;

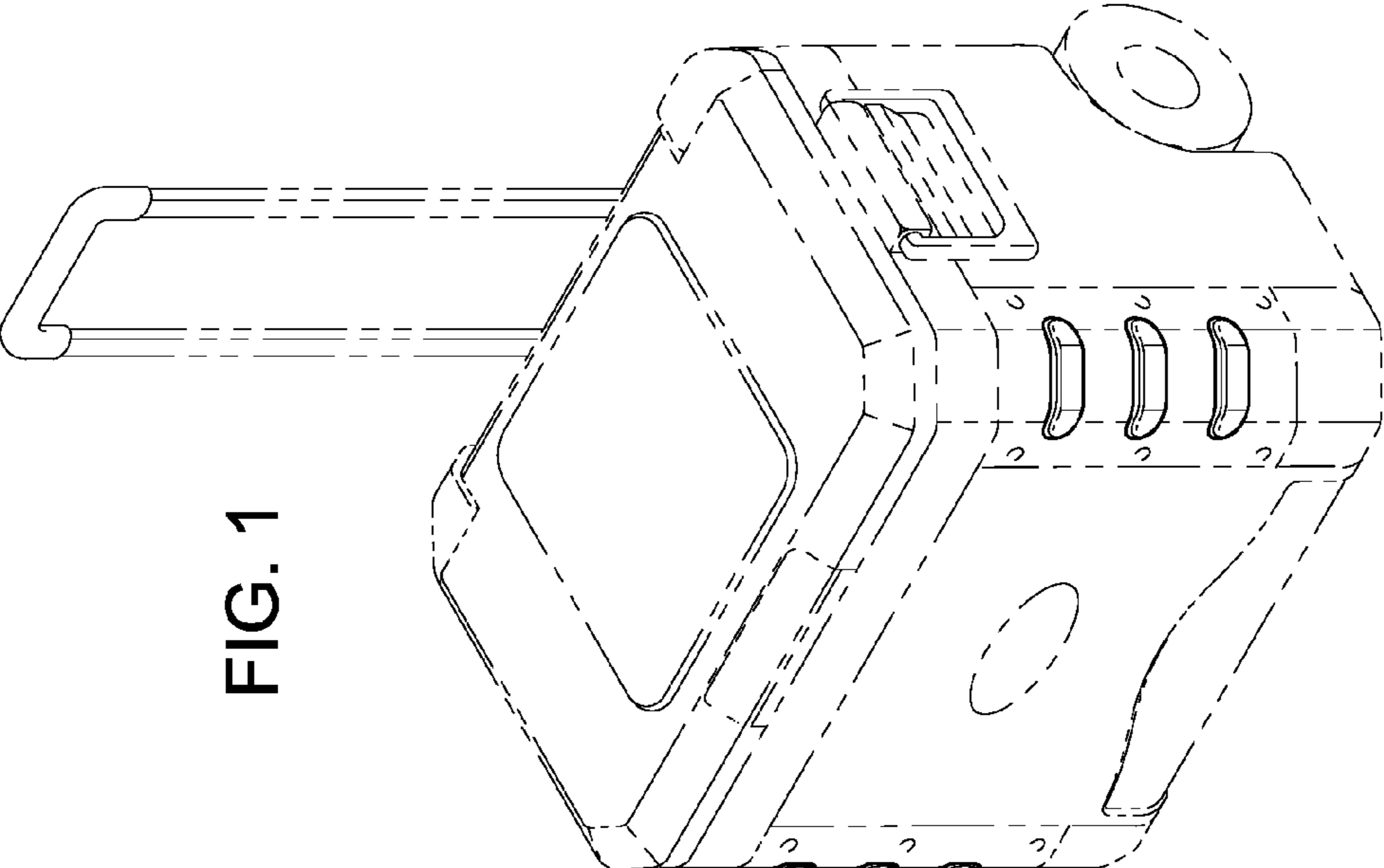
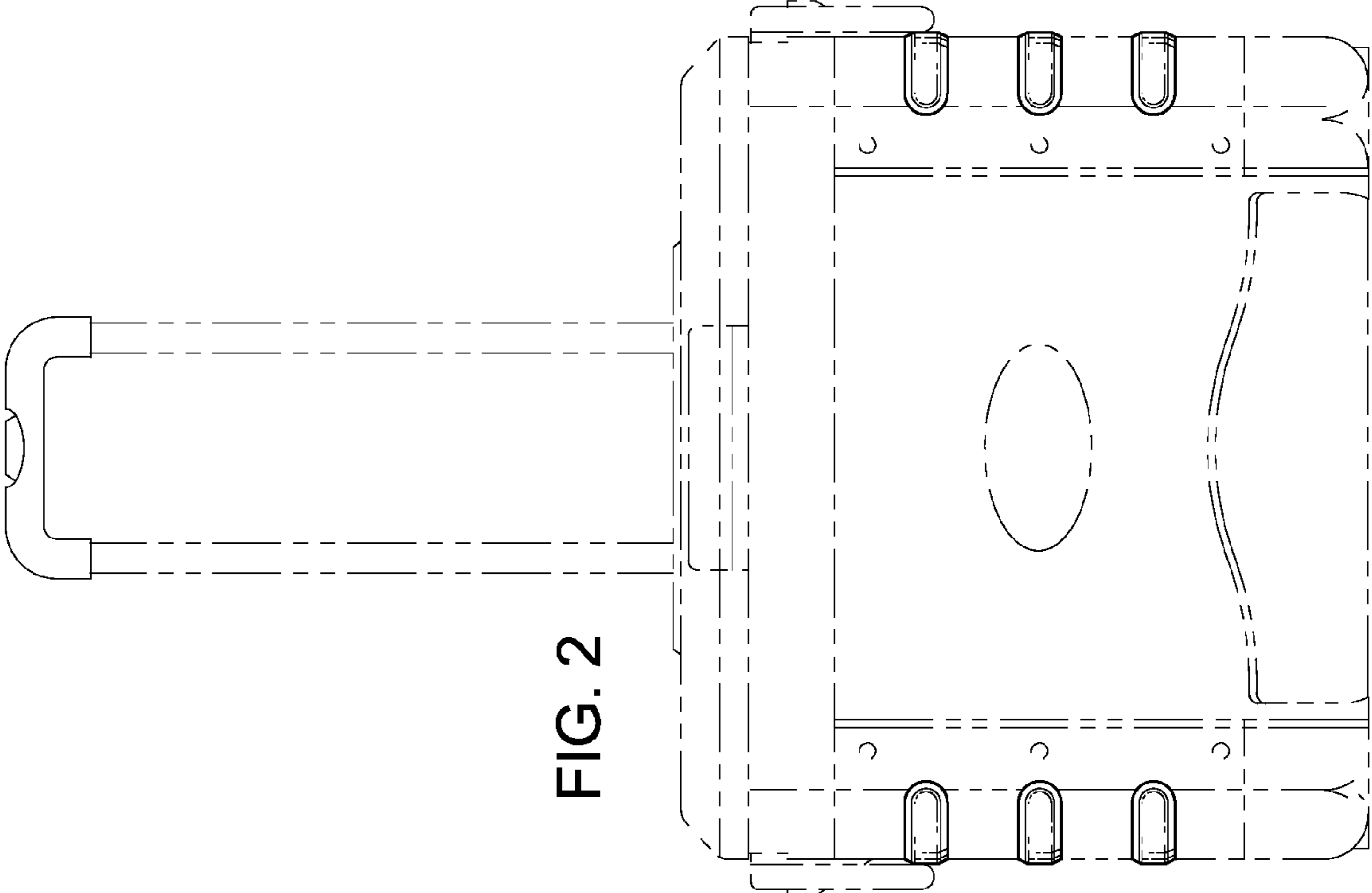
FIG. 11 is a rear elevation view thereof; and,

FIG. 12 is a top plan view thereof.

The broken line showing is for illustrative purposes only and
forms no part of the claimed design.

1 Claim, 6 Drawing Sheets





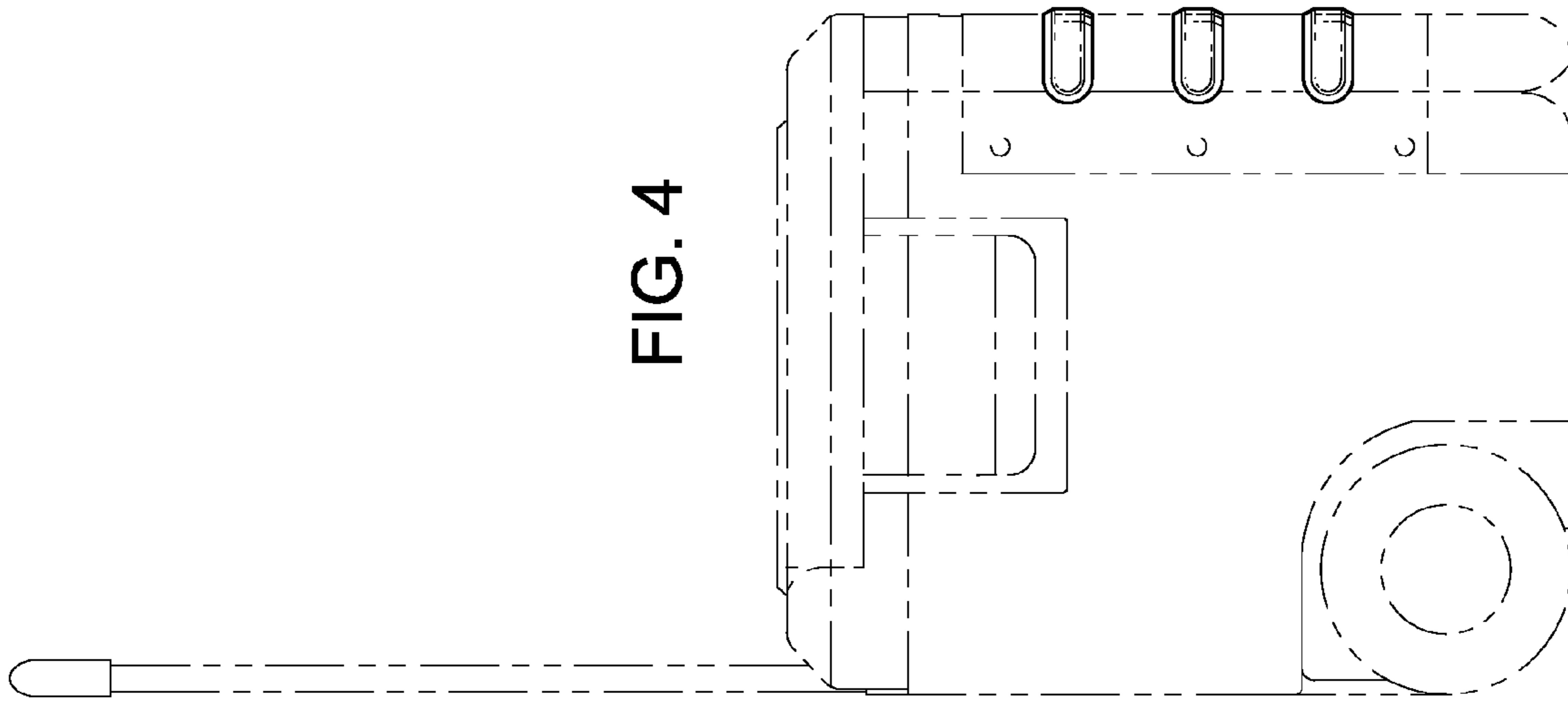


FIG. 4

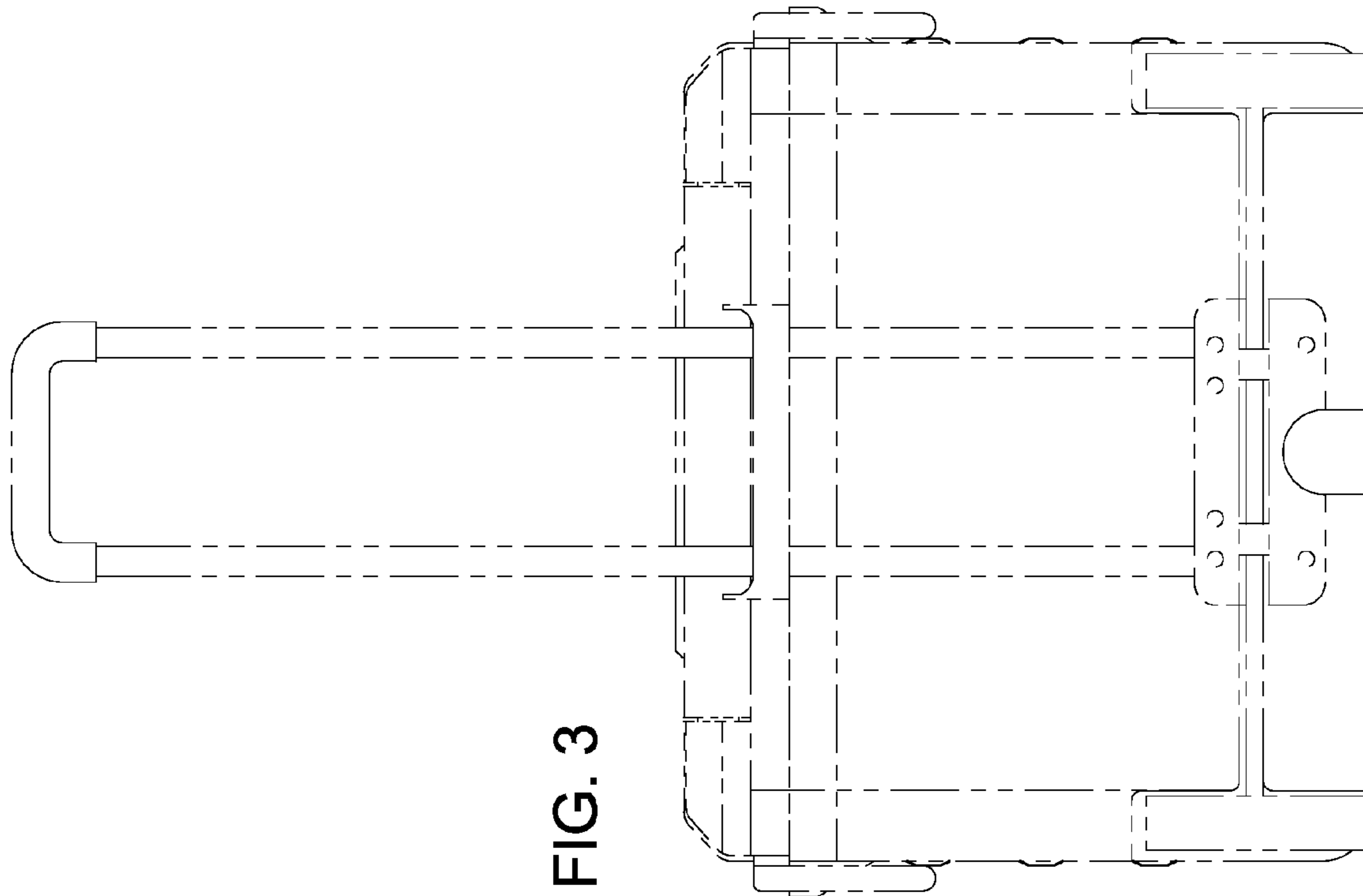


FIG. 3

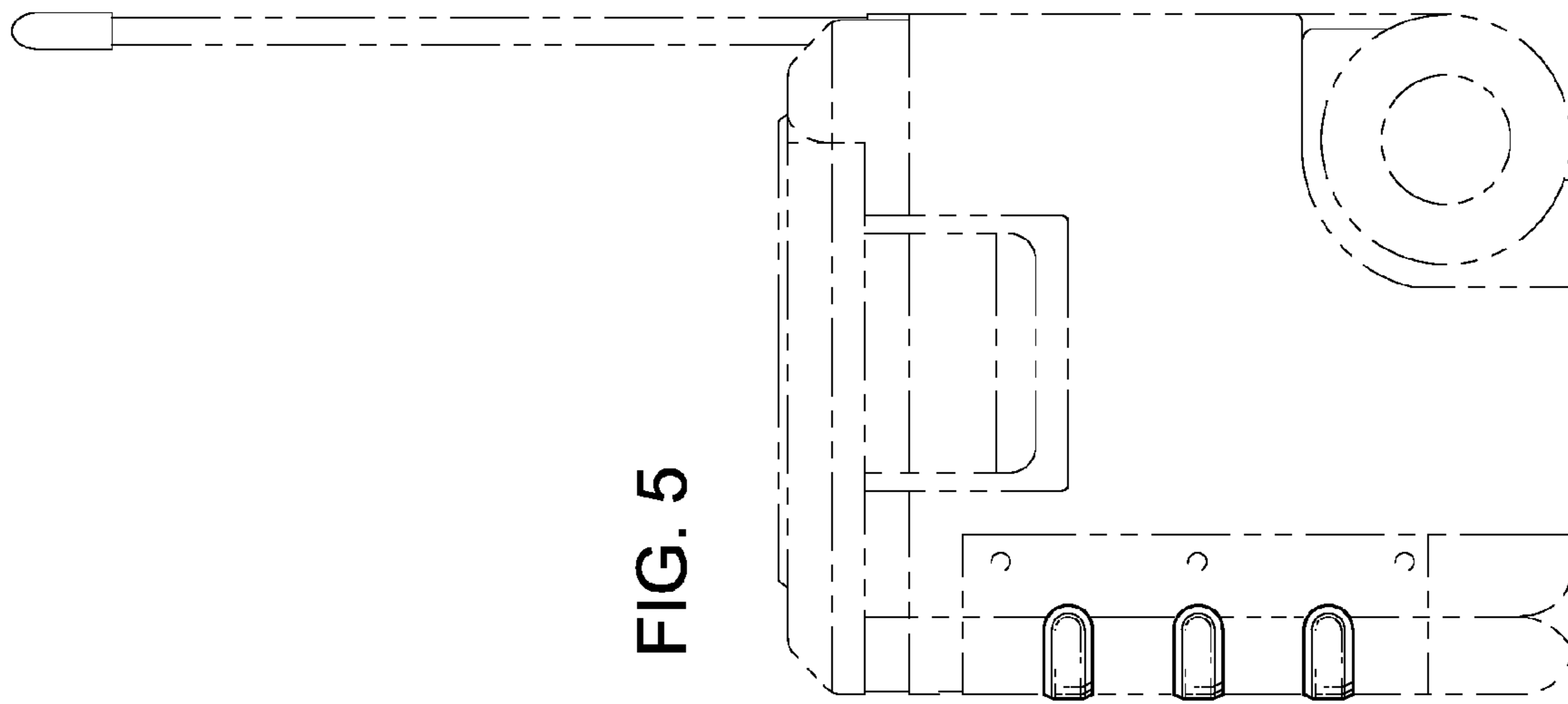
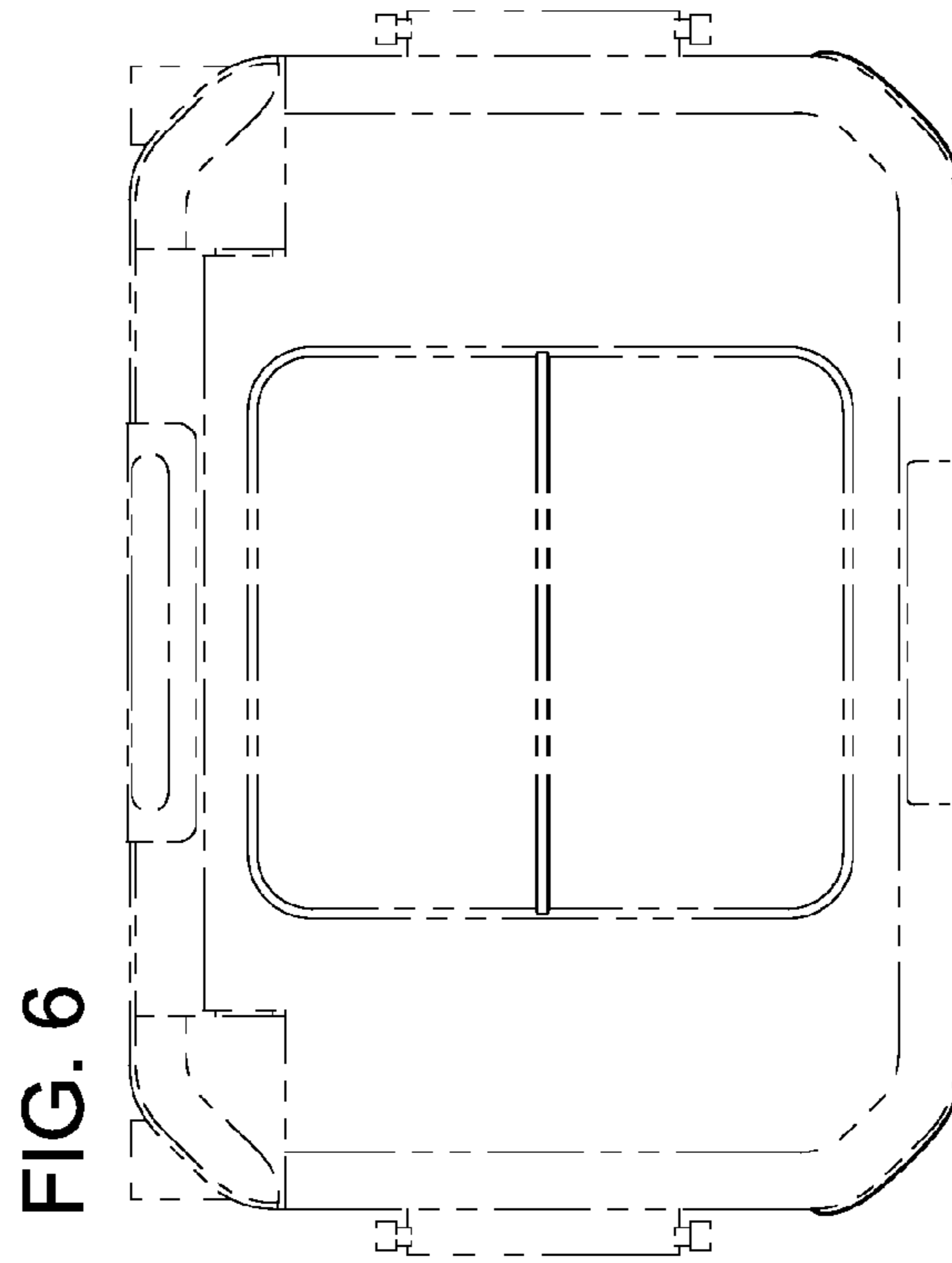


FIG. 6

FIG. 5

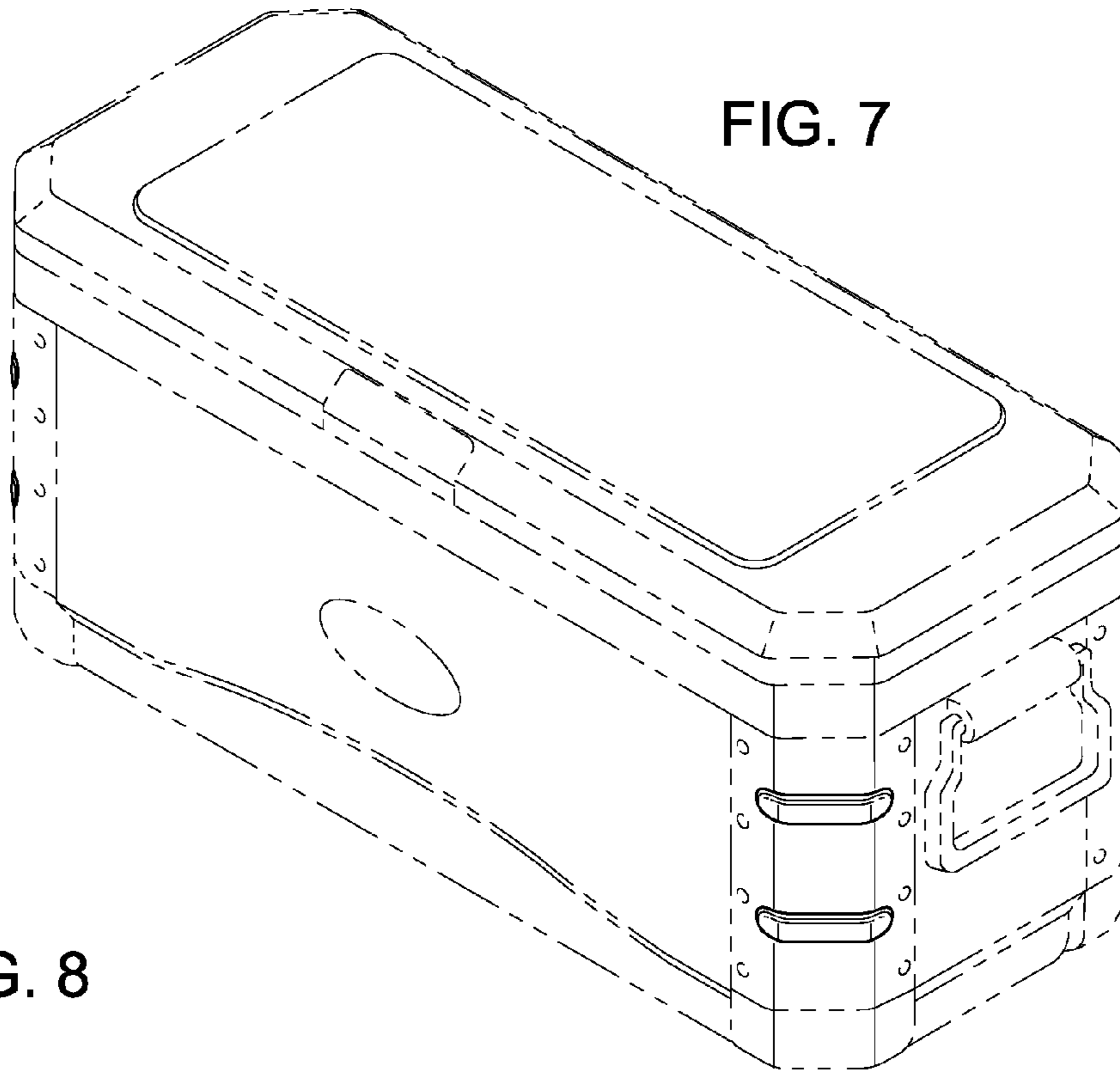


FIG. 8

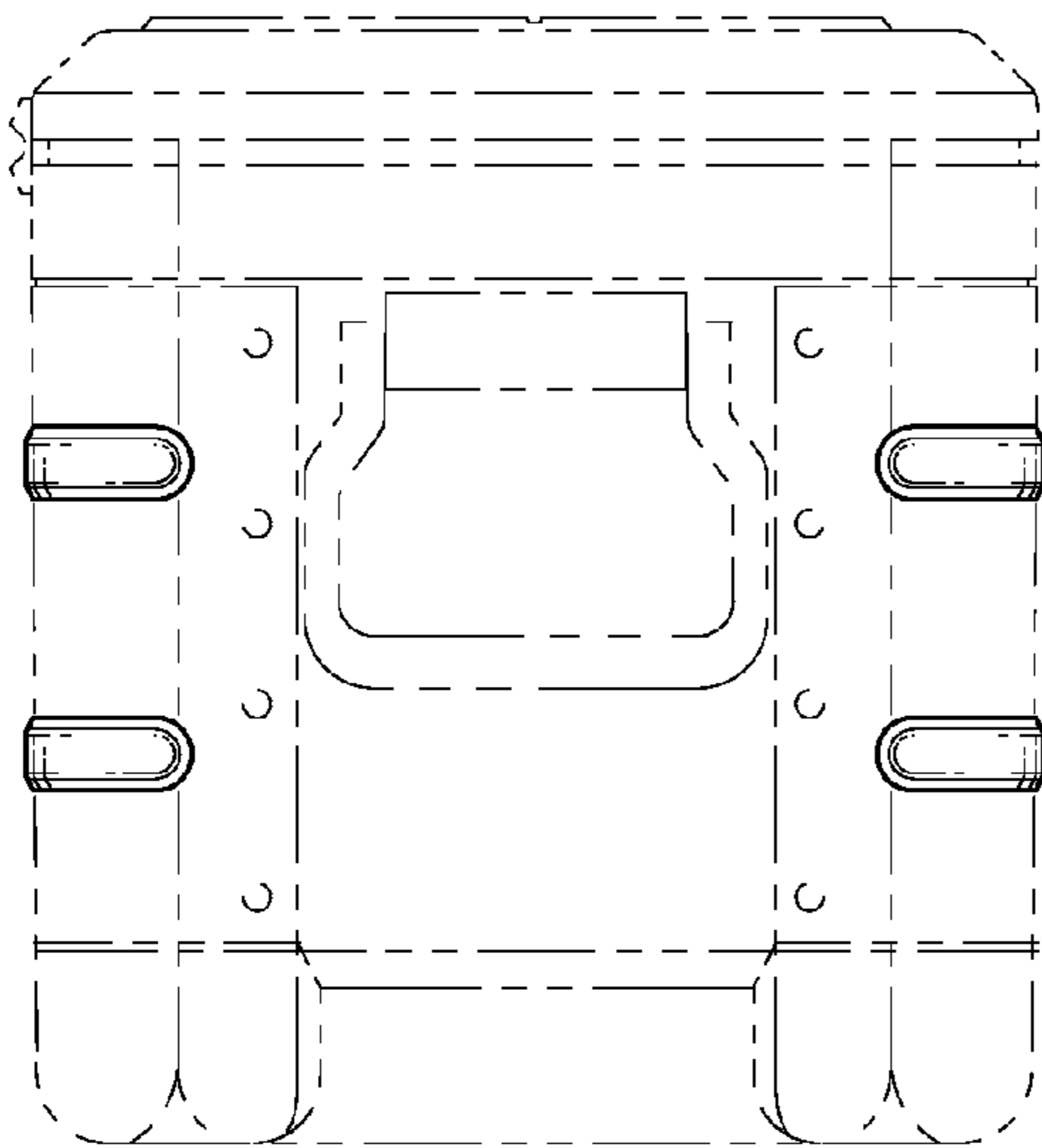
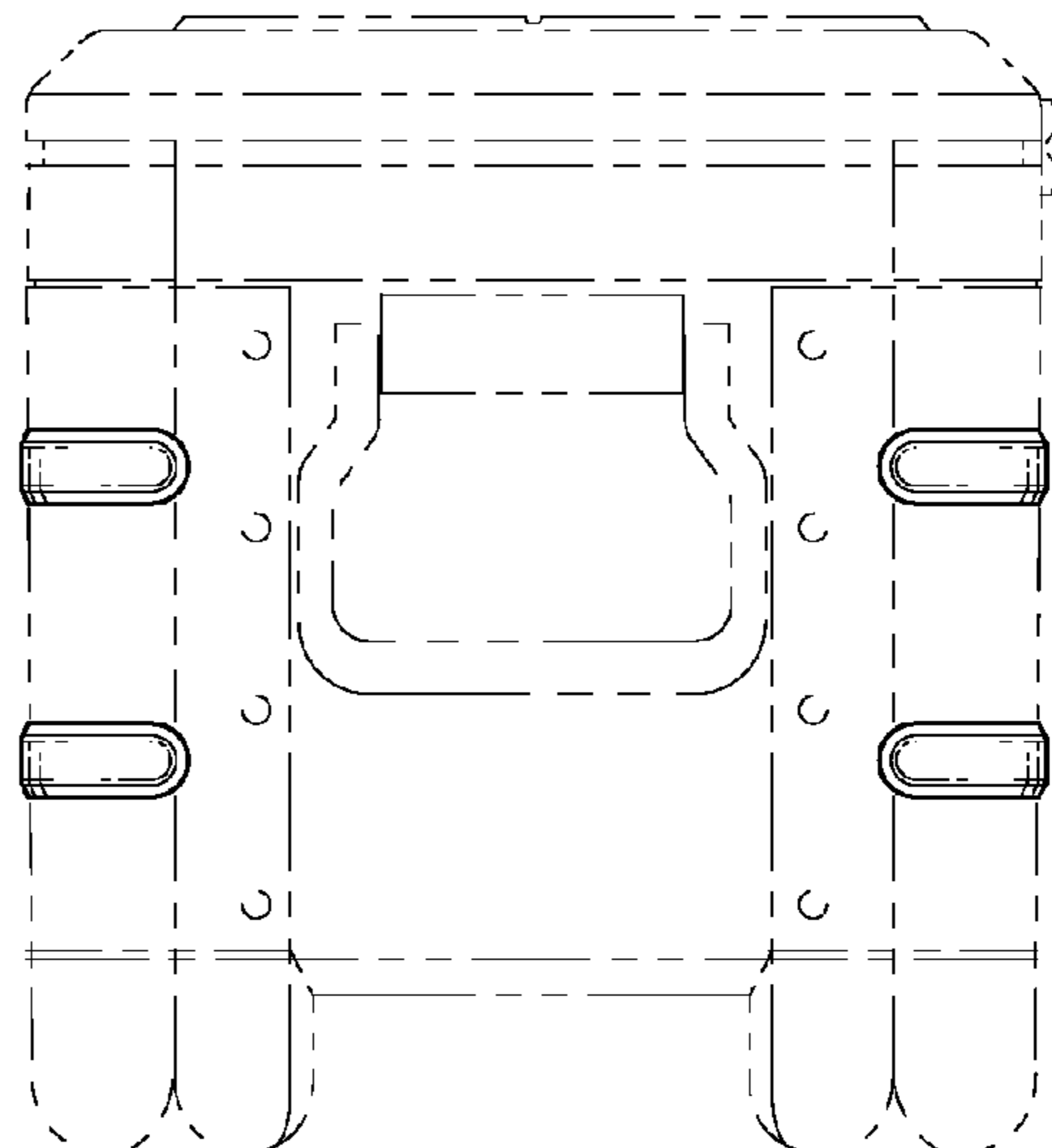


FIG. 9



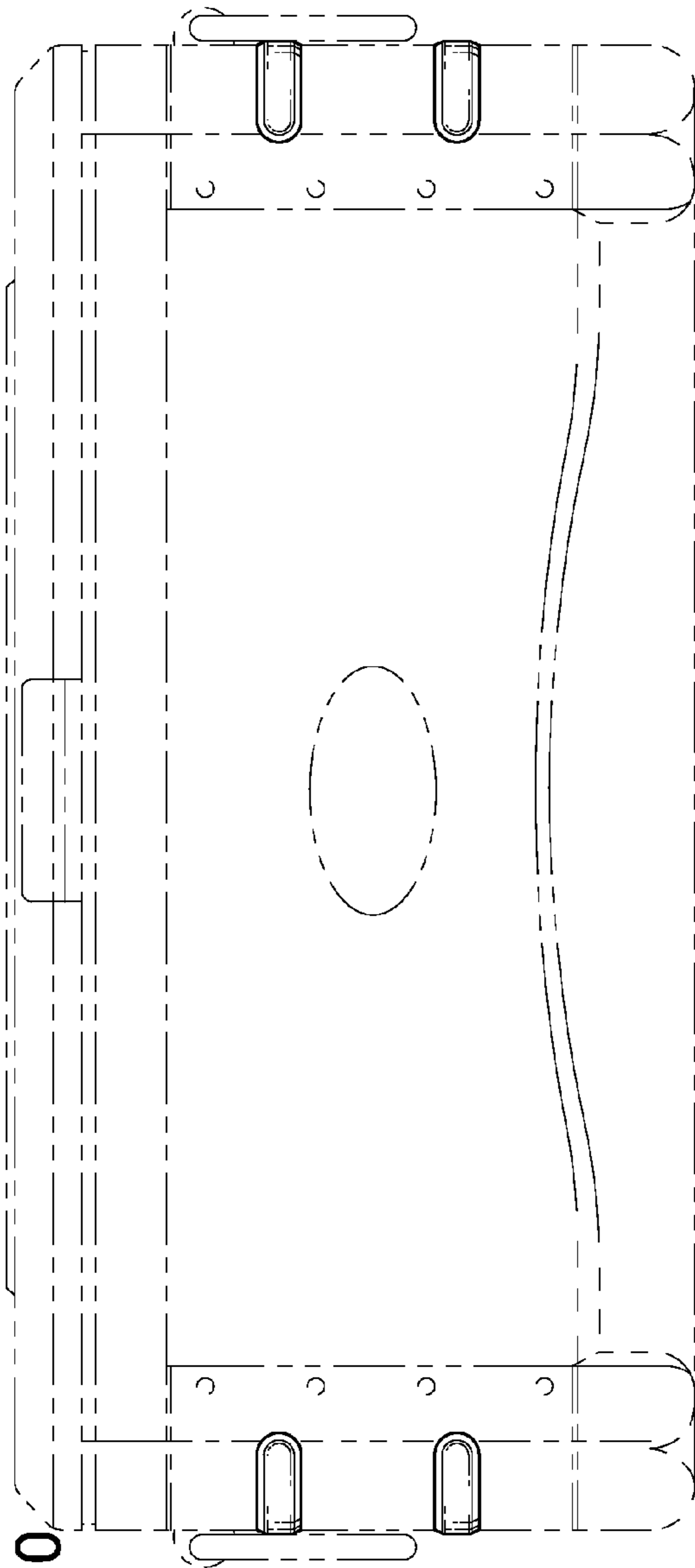


FIG. 10

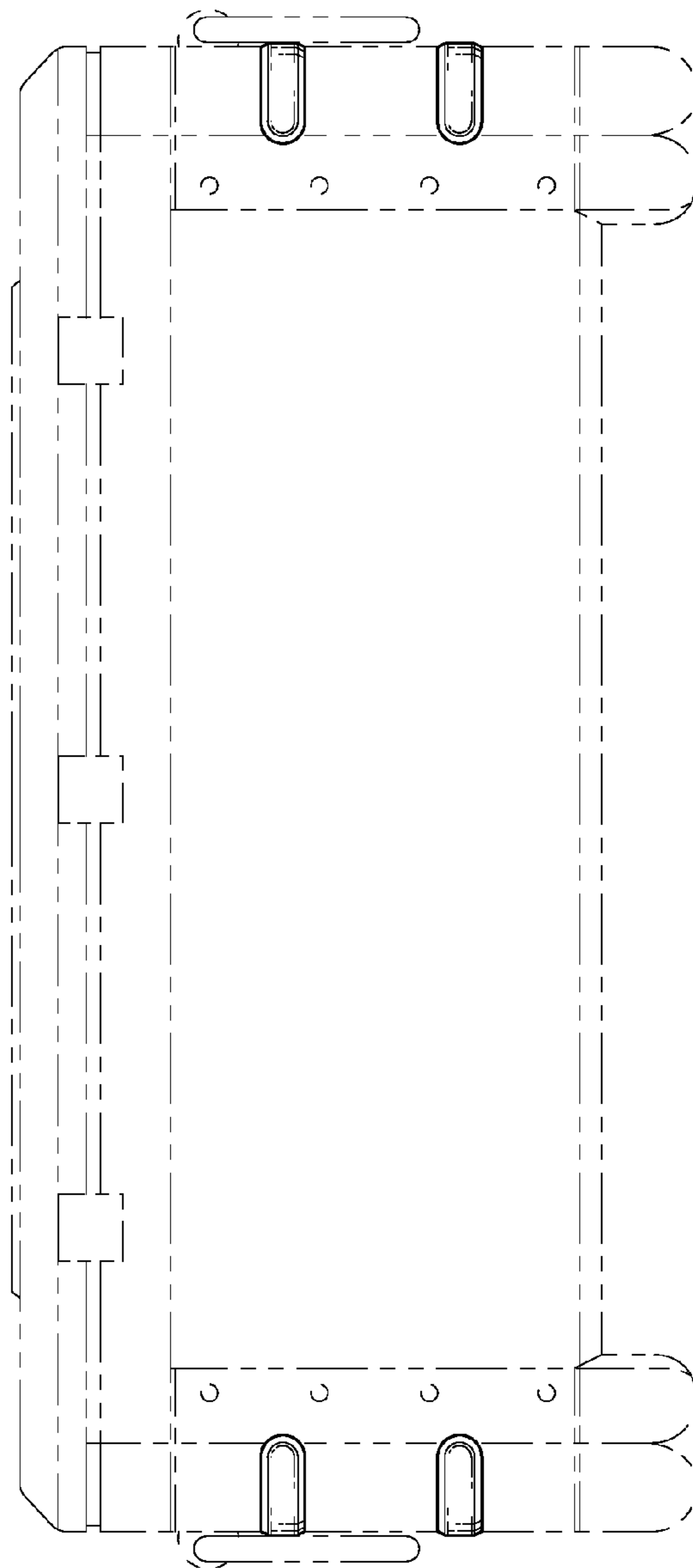


FIG. 11

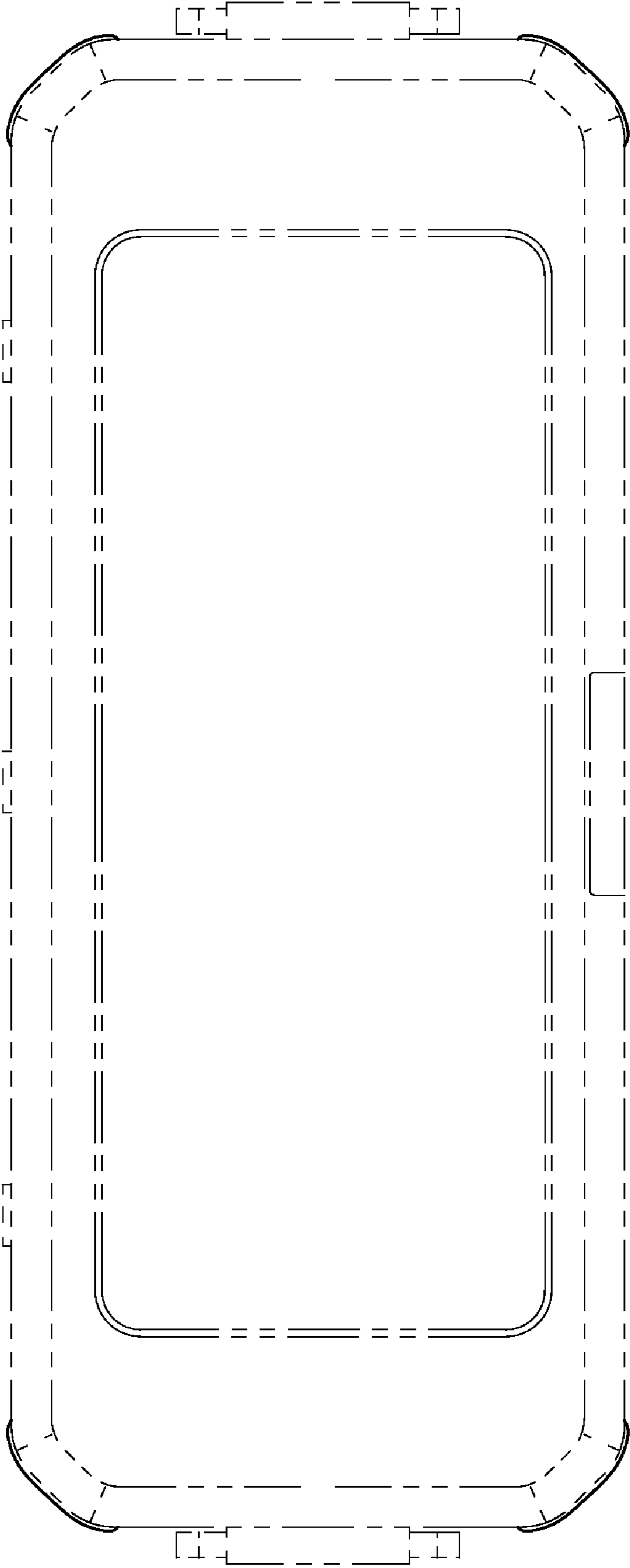


FIG. 12