



US00D547615S

(12) **United States Design Patent**  
**Wasserman et al.**

(10) **Patent No.:** **US D547,615 S**

(45) **Date of Patent:** **\*\* Jul. 31, 2007**

(54) **DOUBLE WALLED METALLIC BOWL**

(75) Inventors: **David M. Wasserman**, Whitefish Bay, WI (US); **Rebecca J. Schreiber-Pethan**, Sheboygan, WI (US)

(73) Assignee: **The Vollrath Company, L.L.C.**, Sheboygan, WI (US)

(\*\*) Term: **14 Years**

(21) Appl. No.: **29/240,267**

(22) Filed: **Oct. 11, 2005**

(51) **LOC (8) Cl.** ..... **07-01**

(52) **U.S. Cl.** ..... **D7/560; D7/542; D7/565; D7/584**

(58) **Field of Classification Search** ..... D7/500, D7/523, 528, 532, 538, 540, 547, 565, 566, D7/584, 531, 560, 354-358, 392.1, 545, 542, D7/562, 586, 587, 602, 570-572, 608, 502, D7/510, 511, 524, 526, 527, 530, 539, 561, D7/568; D9/738, 739, 502, 504, 516, 535, D9/539, 555, 500; 220/560, 574, 495.3

See application file for complete search history.

(56) **References Cited**

**U.S. PATENT DOCUMENTS**

70,427	A *	11/1867	Fallows	.....	220/671
184,814	A	11/1876	Adam		
1,093,648	A	4/1914	Potter		
D50,194	S	1/1917	Haley		
D50,398	S	2/1917	Miller		
D50,401	S	2/1917	Miller		
1,607,864	A	11/1926	Butler		
D75,939	S	7/1928	Tennhardt		
D94,245	S	1/1935	Sebring, Jr. et al.		
2,050,206	A	8/1936	Chaplin		

D101,721	S *	10/1936	Spinelli et al.	.....	D7/513
D113,511	S *	2/1939	Heller	.....	D7/565
D209,307	S	11/1967	Schilling		
D214,678	S	7/1969	Weeber		
3,611,998	A *	10/1971	Loscalzo	.....	119/61.54
3,792,809	A	2/1974	Schneider et al.		
D264,791	S	6/1982	Conti		
D264,792	S	6/1982	Conti		
D285,515	S *	9/1986	Papciak	.....	D7/509
D288,515	S	3/1987	Rimmeir		
D289,245	S	4/1987	Ritman		
D289,246	S	4/1987	Ritman		
D289,717	S	5/1987	Ritman		
D291,757	S	9/1987	Ritman		

(Continued)

*Primary Examiner*—Philip S. Hyder  
*Assistant Examiner*—Cynthia Underwood  
(74) *Attorney, Agent, or Firm*—Foley & Lardner LLP

(57) **CLAIM**

We claim the ornamental design for a double walled metallic bowl, as shown and described.

**DESCRIPTION**

FIG. 1 is a top perspective view of one example of a design for a double walled metallic bowl;

FIG. 2 is a front elevational view thereof;

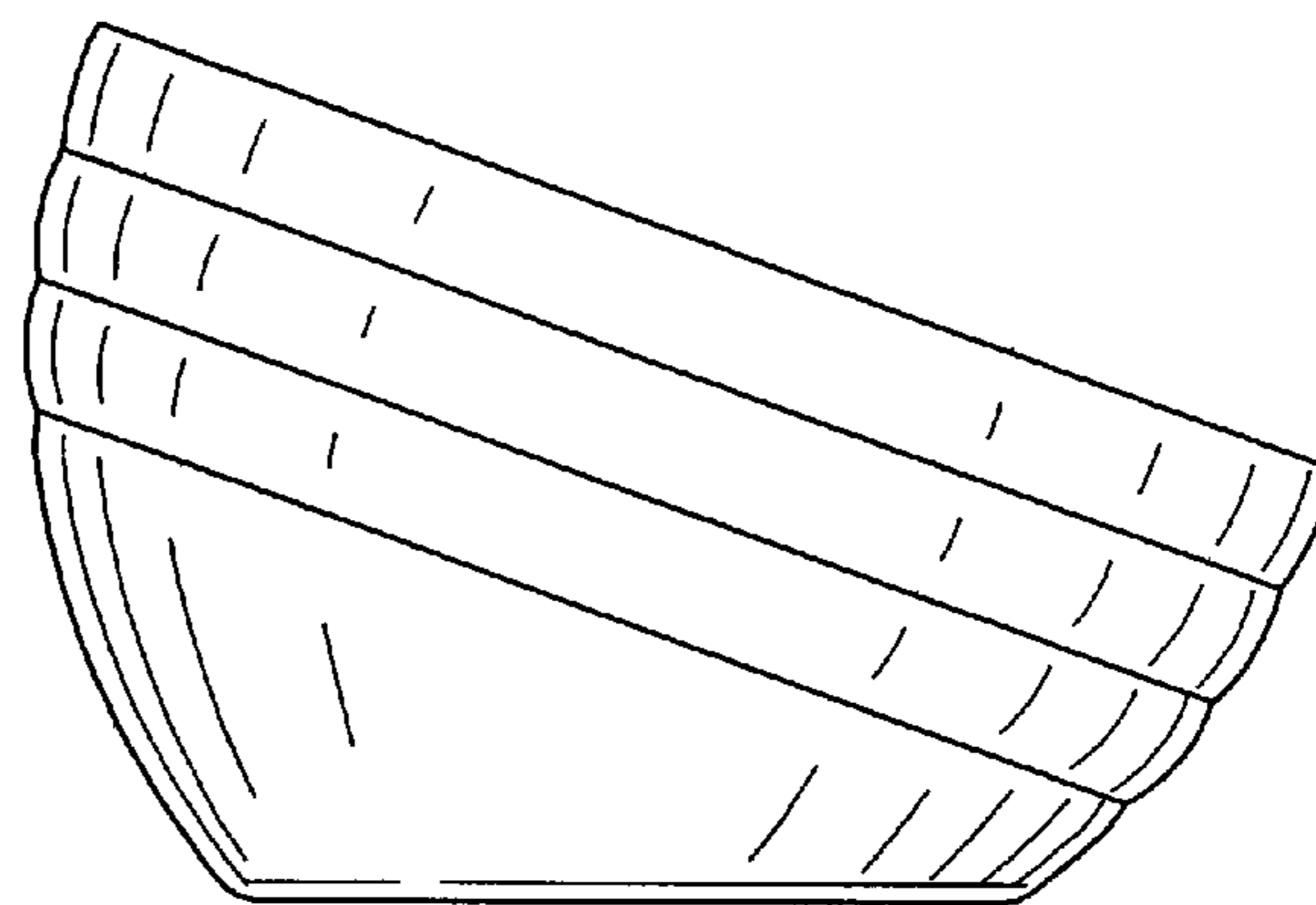
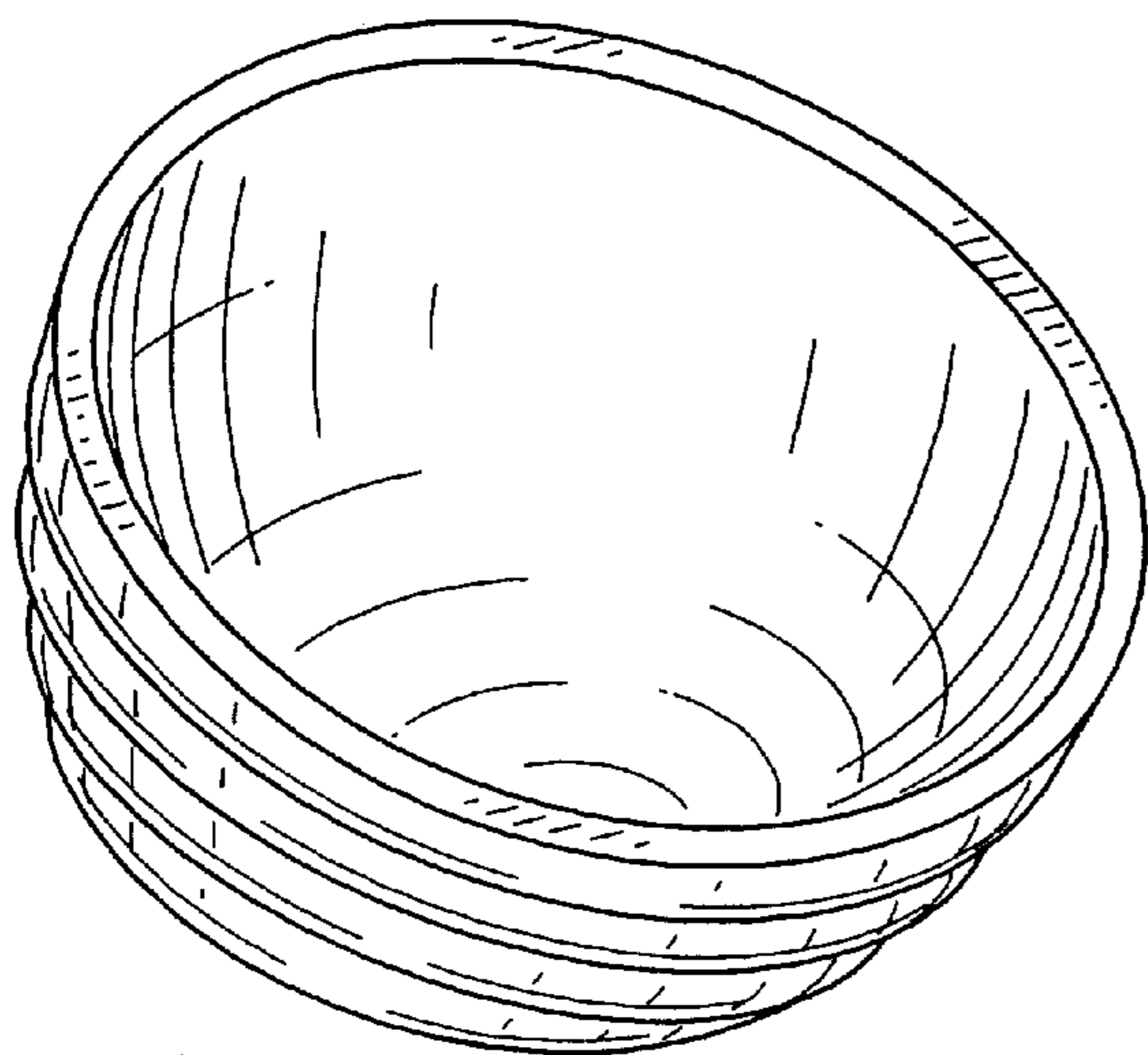
FIG. 3 is a left end elevational view thereof, the right end elevational view being a mirror image of the left end elevation view shown;

FIG. 4 is a top plan view thereof;

FIG. 5 is bottom plan view thereof; and,

FIG. 6 is a sectional view thereof taken along line 6—6 of FIG. 4.

**1 Claim, 3 Drawing Sheets**



# US D547,615 S

Page 2

## U.S. PATENT DOCUMENTS

4,723,681	A	*	2/1988	Glerum	.....	220/671			
D315,658	S		3/1991	Scherer					
D321,815	S		11/1991	Bowdler					
D325,112	S		4/1992	Thompson					
5,172,826	A		12/1992	Celaya					
D340,617	S		10/1993	Douglas					
D345,716	S		4/1994	Kwiatkowski					
D345,895	S	*	4/1994	Jaworski	.....	D7/560			
D360,558	S		7/1995	Appleman					
D362,155	S		9/1995	Yee					
D362,594	S		9/1995	McEntee					
D367,413	S		2/1996	Ballin					
D371,939	S		7/1996	Rigney					
5,626,256	A	*	5/1997	Onneweer	.....	220/574			
D383,646	S	*	9/1997	Jeppesen et al.	.....	D7/584			
5,706,980	A		1/1998	Dickerson					
D409,447	S	*	5/1999	Henry	.....	D7/542			
D409,448	S	*	5/1999	Hudson et al.	.....	D7/543			
D411,288	S		6/1999	Cuttriss					
5,934,472	A		8/1999	Ramirez et al.					
D415,933	S	*	11/1999	Cornelissen	.....	D7/587			
D424,879	S		5/2000	Biber					
D428,770	S		8/2000	Wellner					
D428,771	S		8/2000	Novi					
D432,362	S		10/2000	Fait					
D442,019	S	*	5/2001	Wyche	.....	D7/354			
D442,425	S		5/2001	Wyche					
D443,476	S		6/2001	Miura					
D456,211	S		4/2002	Price					
D457,389	S		5/2002	Snell					
D458,807	S		6/2002	Trazzi					
D459,946	S		7/2002	Willat					
D471,404	S		3/2003	Gady					
D471,406	S		3/2003	Wellner					
D473,758	S	*	4/2003	Wilson	.....	D7/587			
D478,476	S		8/2003	Wellner					
D478,477	S		8/2003	Tisdale et al.					
D480,269	S		10/2003	Currier					
D481,262	S		10/2003	Tisdale et al.					
D485,127	S		1/2004	Maier-Aichen					
D488,352	S		4/2004	Tisdale et al.					
D491,019	S		6/2004	Marsden et al.					
D494,062	S		8/2004	Willis					
D494,419	S		8/2004	Armer					
D495,211	S		8/2004	Brown et al.					
D495,564	S	*	9/2004	Bodum	.....	D7/587			
D521,130	S	*	5/2006	Mayer	.....	D23/293.1			
D539,094	S	*	3/2007	Wasserman et al.	.....	D7/584			

\* cited by examiner

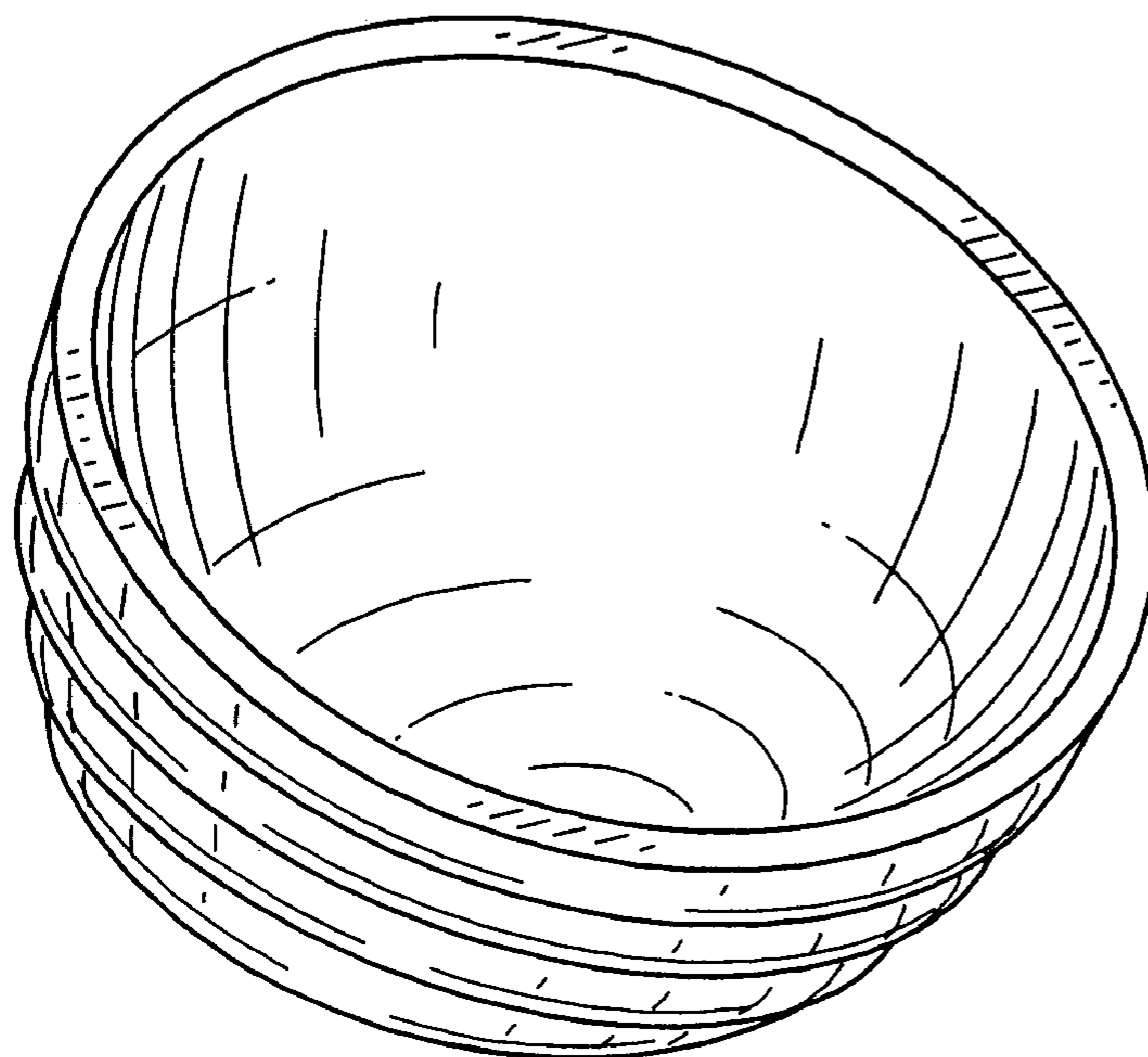


FIG. 1

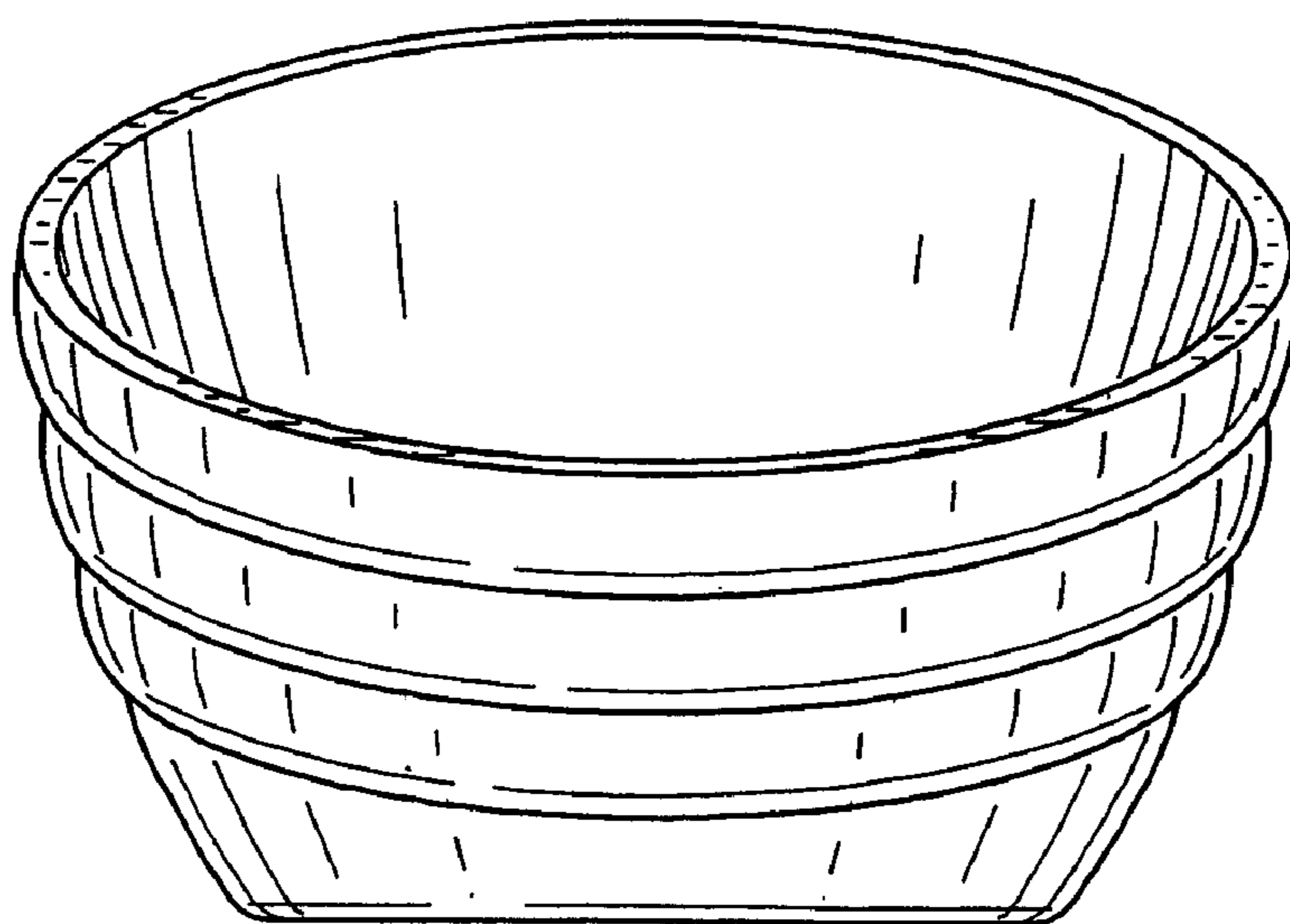


FIG. 2

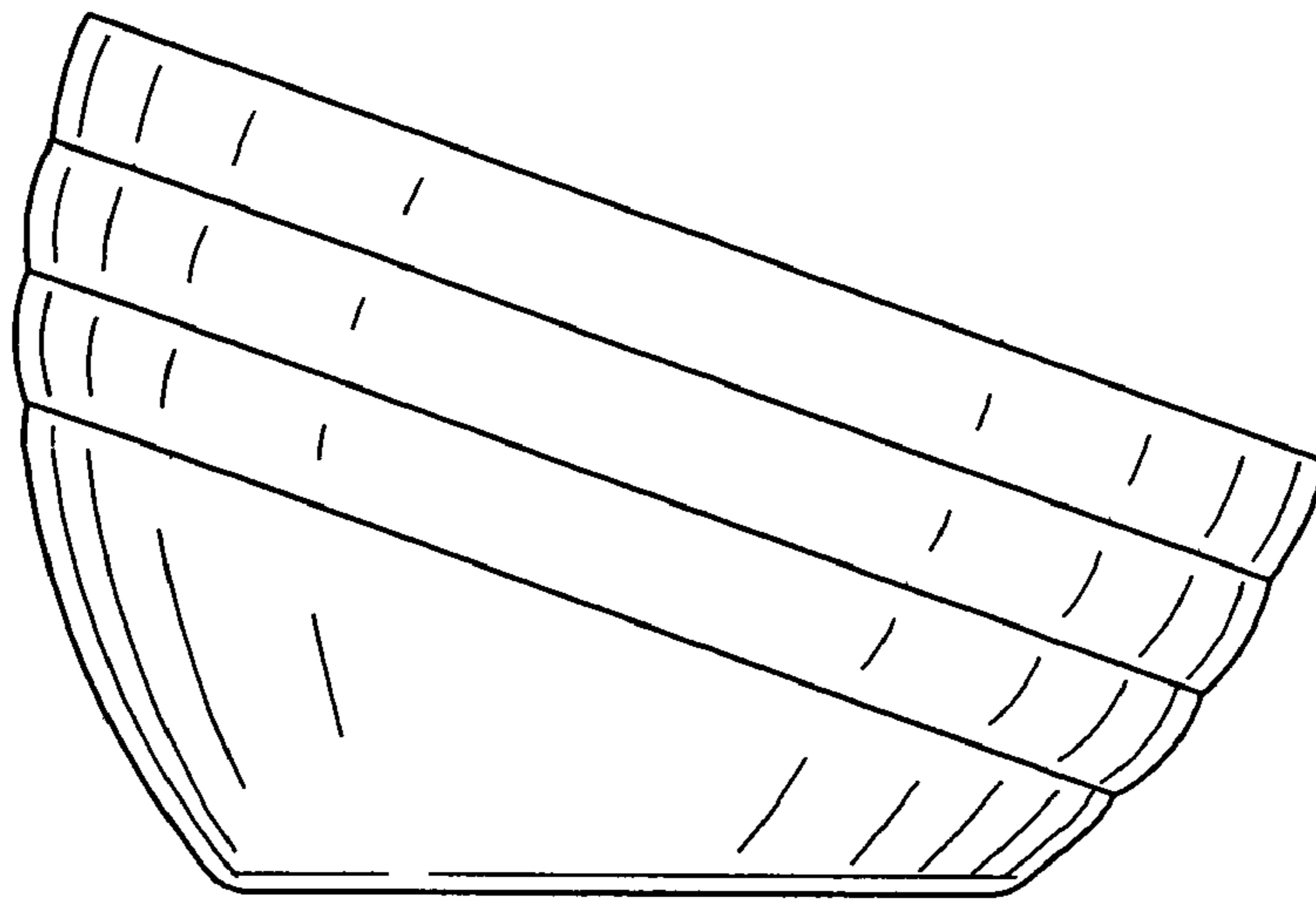


FIG. 3

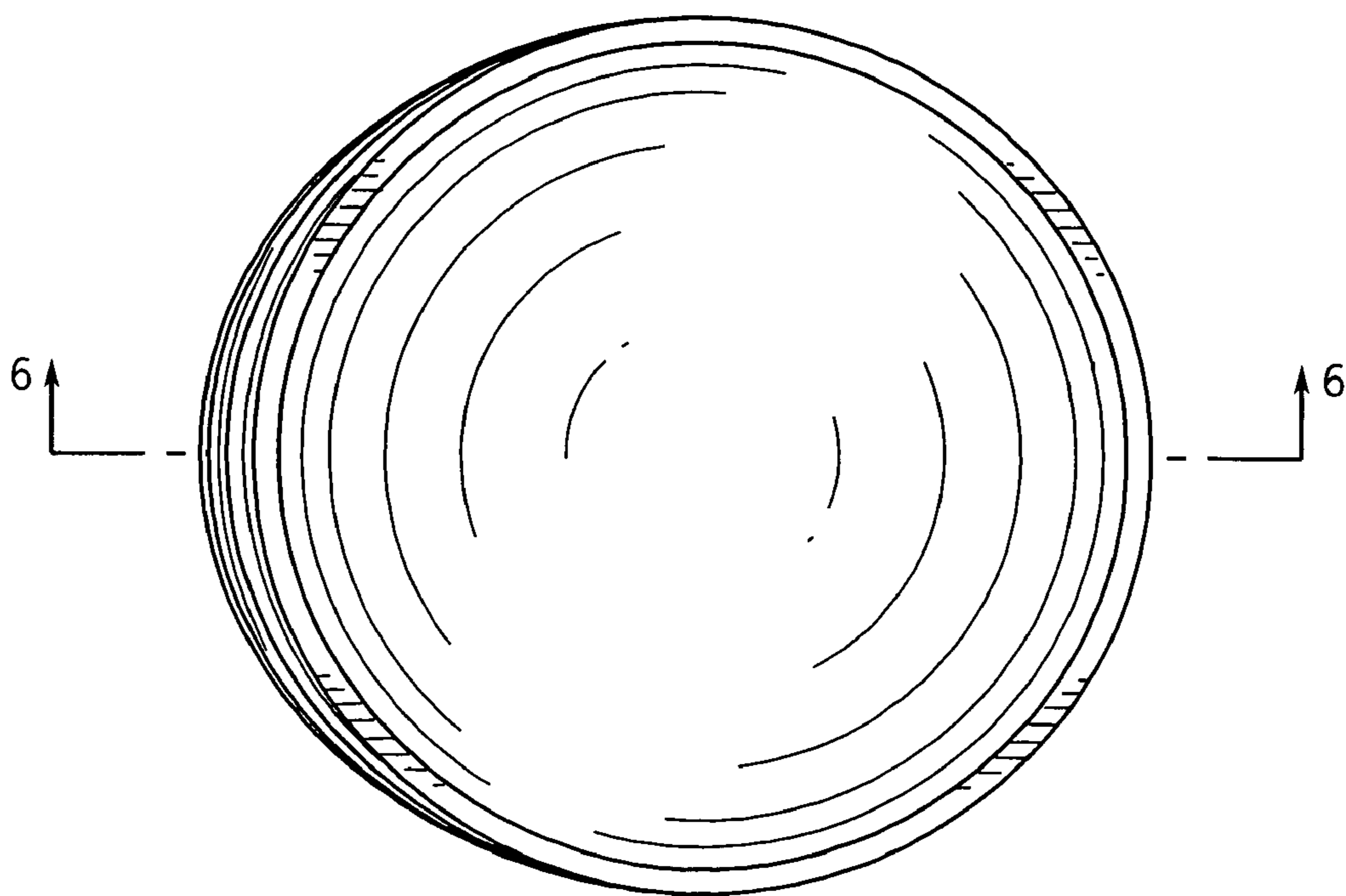


FIG. 4

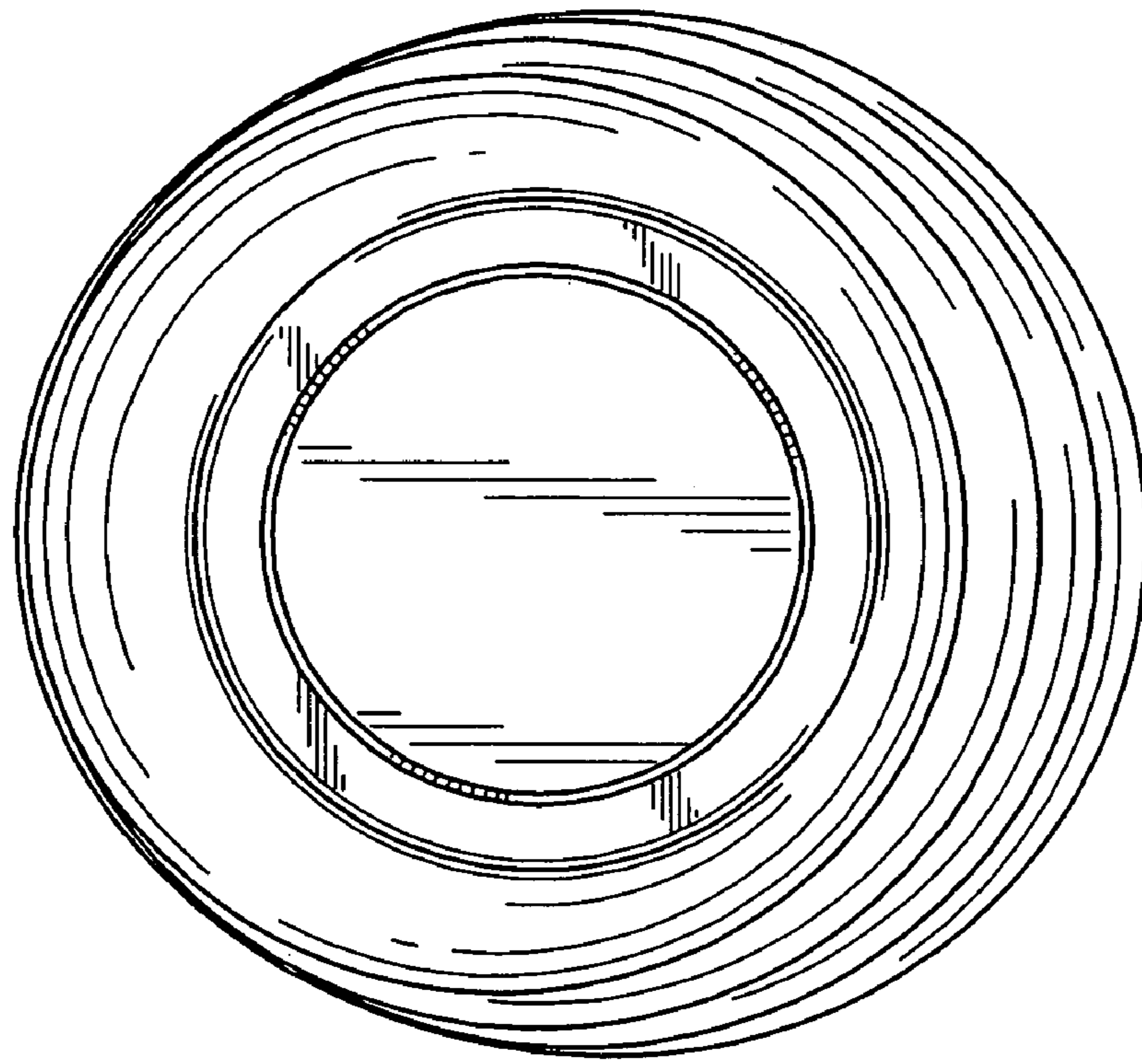


FIG. 5

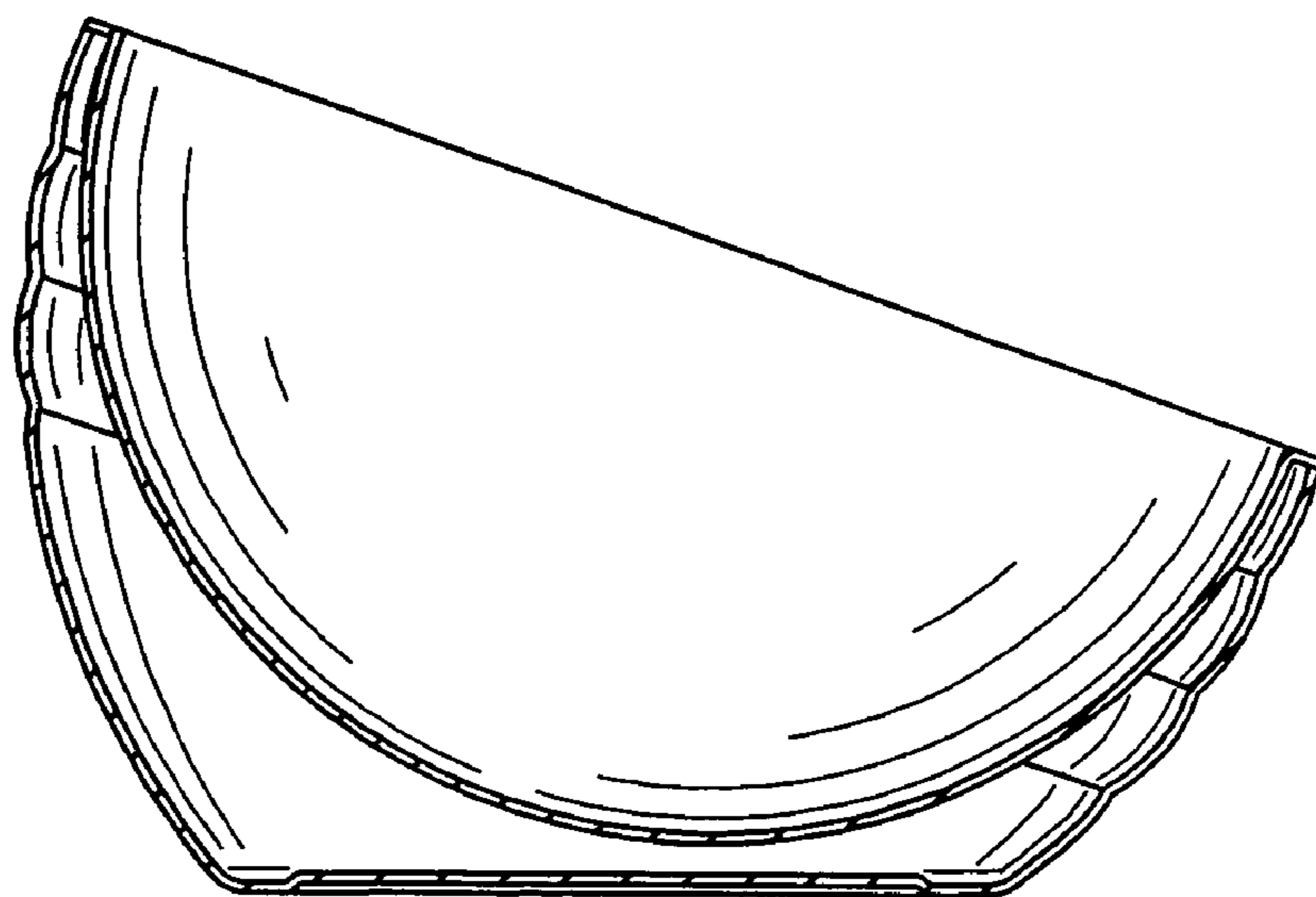


FIG. 6