

US00D547614S

(12) **United States Design Patent**
Kell

(10) **Patent No.:** **US D547,614 S**

(45) **Date of Patent:** **** Jul. 31, 2007**

(54) **CASSEROLE**

(75) Inventor: **Jeffrey B. Kell**, Avon, NY (US)

(73) Assignee: **WKI Holding Company, Inc.**,
Rosemont, IL (US)

(**) Term: **14 Years**

(21) Appl. No.: **29/224,801**

(22) Filed: **Mar. 7, 2005**

(51) **LOC (8) Cl.** **07-01**

(52) **U.S. Cl.** **D7/545**

(58) **Field of Classification Search** D7/503,
D7/505, 523, 532, 535, 542, 543, 545, 553.1,
D7/553.6-555, 558, 560, 565, 566, 584-588,
D7/300, 300.1, 312, 316, 318, 601, 602, 611,
D7/701, 630, 354, 356, 360, 376, 396.2, 397;
D9/430-433, 901, 902, 772, 424, 425, 428,
D9/429, 769, 761; D11/152, 154; D24/216,
D24/224, 221, 132, 220, 227; D30/129;
220/23.83, 904, 574, 771, 212, 657, 659,
220/755; 222/143, 465.1; 206/821, 822

See application file for complete search history.

(56) **References Cited**

U.S. PATENT DOCUMENTS

- D40,520 S * 2/1910 Haviland D7/542
- D72,010 S * 2/1927 Forman D7/602
- D126,554 S 4/1941 Fletcher
- D134,334 S 11/1942 Kapner et al.
- D162,960 S 4/1951 Johnston
- D167,292 S * 7/1952 Wagner D7/542
- D172,075 S * 5/1954 Barnhart D7/542
- D177,187 S * 3/1956 Melich et al. D7/605
- D187,995 S 5/1960 Loewy
- D197,476 S 2/1964 DePuy
- 3,164,285 A * 1/1965 Melich 220/592.23
- D204,150 S 3/1966 Curtis

- D214,185 S 5/1969 Stageberg
- D214,460 S 6/1969 Stageberg
- D216,477 S * 1/1970 Ketcham D7/545
- D235,302 S * 6/1975 Lenigan D7/584
- D235,497 S * 6/1975 Gavle D7/360
- D236,574 S 9/1975 Rothstein
- D250,172 S * 11/1978 Retelny D9/425
- D253,574 S 12/1979 Anderson
- D275,547 S 9/1984 Asti et al.
- D282,135 S 1/1986 McClelland

(Continued)

OTHER PUBLICATIONS

Images of Nigella Lawson's Living Kitchen Mixing Bowl (sold prior to Mar. 7, 2005).

Primary Examiner—Ian Simmons

Assistant Examiner—Charles Hanson

(74) *Attorney, Agent, or Firm*—McDermott Will & Emery LLP

(57) **CLAIM**

What is claimed is the ornamental design for a casserole, as shown and described.

DESCRIPTION

FIG. 1 is a perspective view of a casserole according to the new design;

FIG. 2 is a front view of the casserole shown in FIG. 1, the rear view being identical thereto;

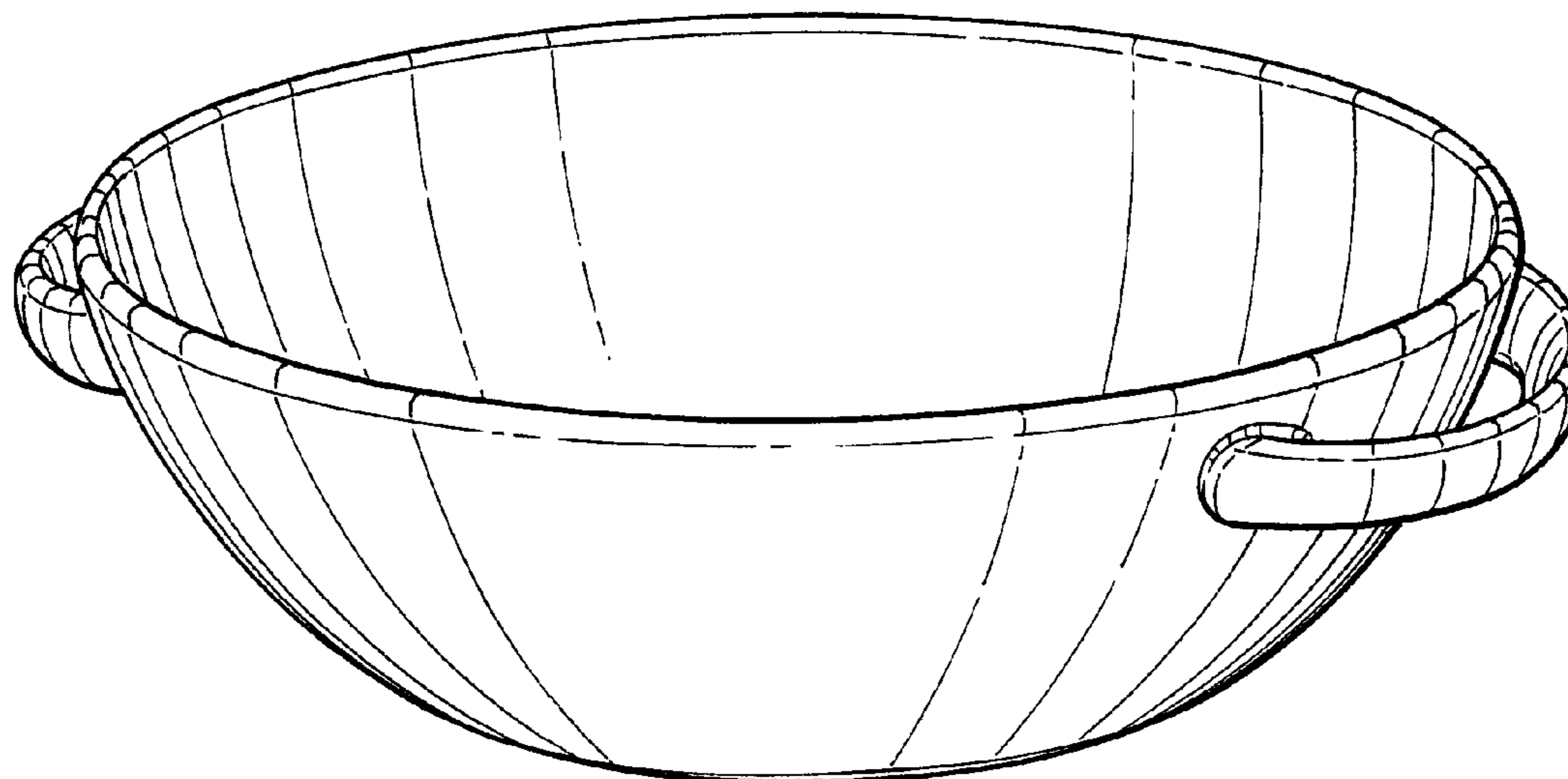
FIG. 3 is a side elevation view of one side of the casserole shown in FIG. 1, the other side being identical thereto;

FIG. 4 is a top view of the casserole shown in FIG. 1; and,

FIG. 5 is a bottom view of casserole shown in FIG. 1.

Features shown in broken lines form no part of the claimed design.

1 Claim, 2 Drawing Sheets



US D547,614 S

Page 2

U.S. PATENT DOCUMENTS

D291,041 S	7/1987	Grange		
D295,819 S	5/1988	Mercadante		
D298,199 S	* 10/1988	Finsilver et al.	D7/538	
D298,295 S	* 11/1988	Finsilver et al.	D7/545	
D307,395 S	* 4/1990	Borst	D9/428	
D326,797 S	6/1992	Pomroy et al.		
D328,836 S	8/1992	Unger		
D409,447 S	5/1999	Henry		
D416,445 S	* 11/1999	Henry	D7/545	
D445,632 S	* 7/2001	Bradley	D7/360	
D470,714 S	2/2003	Kloppsteck		
D470,715 S	2/2003	Kloppsteck		
D477,970 S	8/2003	Thonis		
D484,745 S	1/2004	Watson		
D526,162 S	* 8/2006	Czebiniak	D7/548	

* cited by examiner

FIG. 1

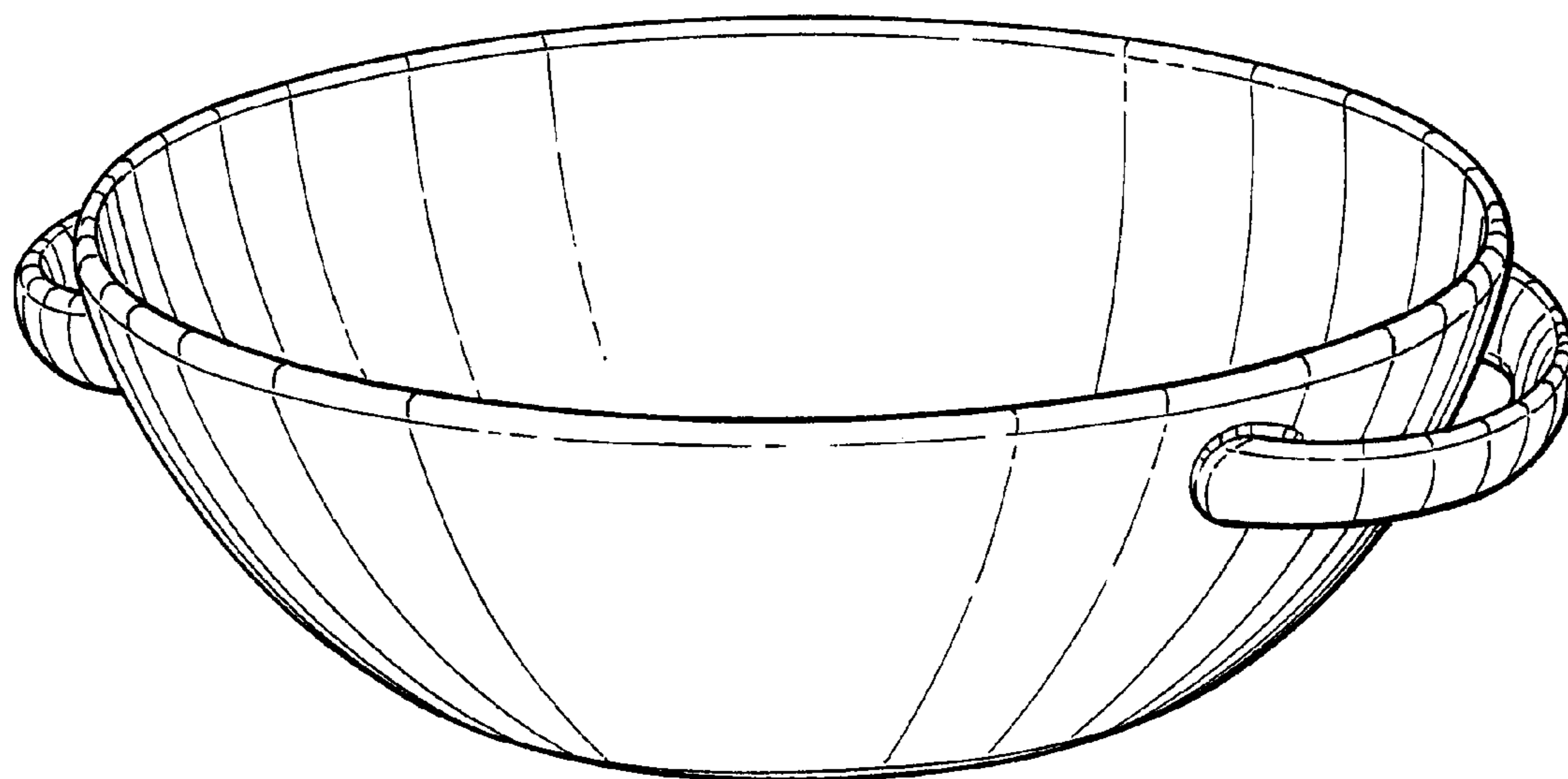


FIG. 2

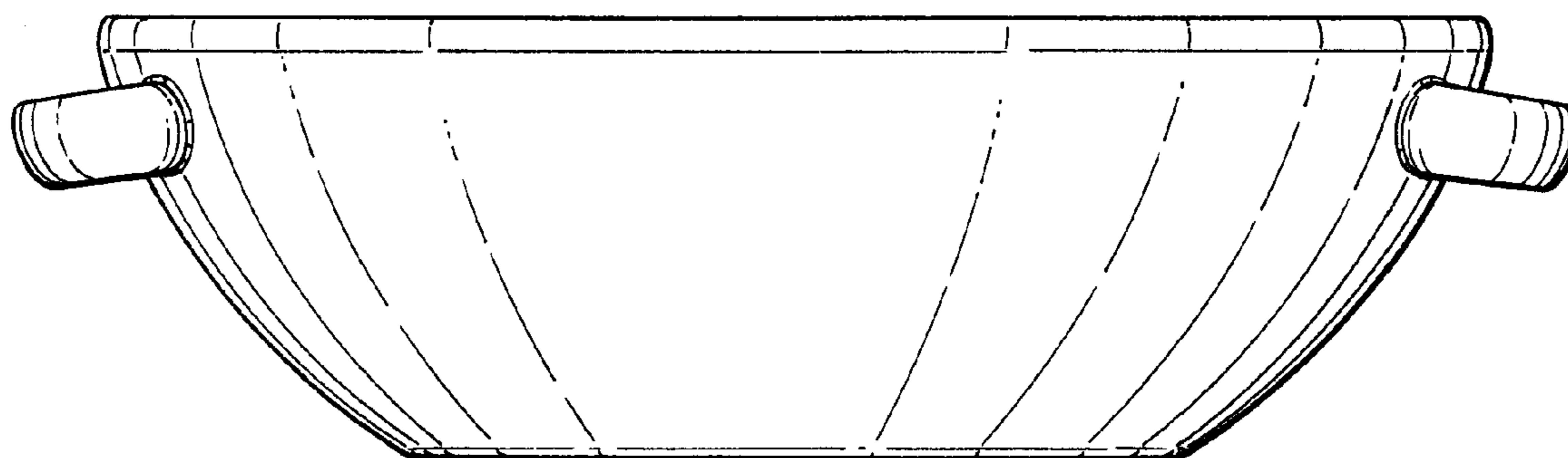


FIG. 3

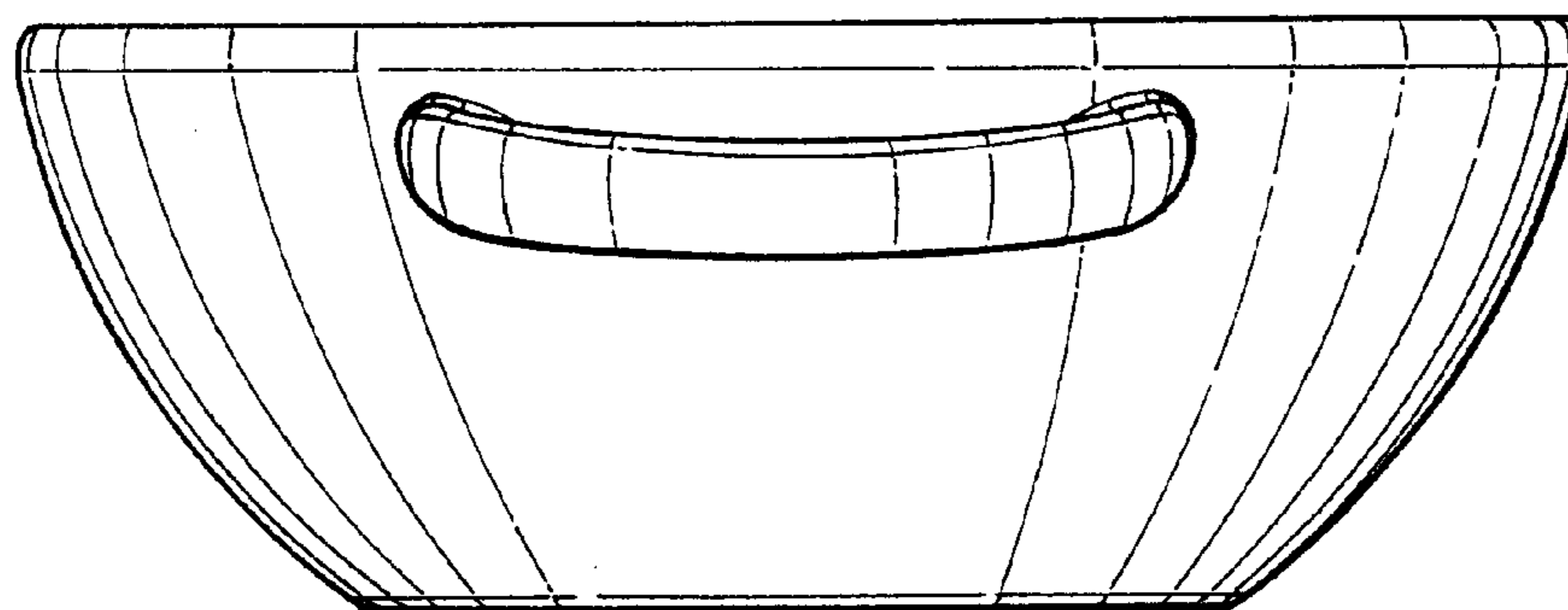


FIG. 4

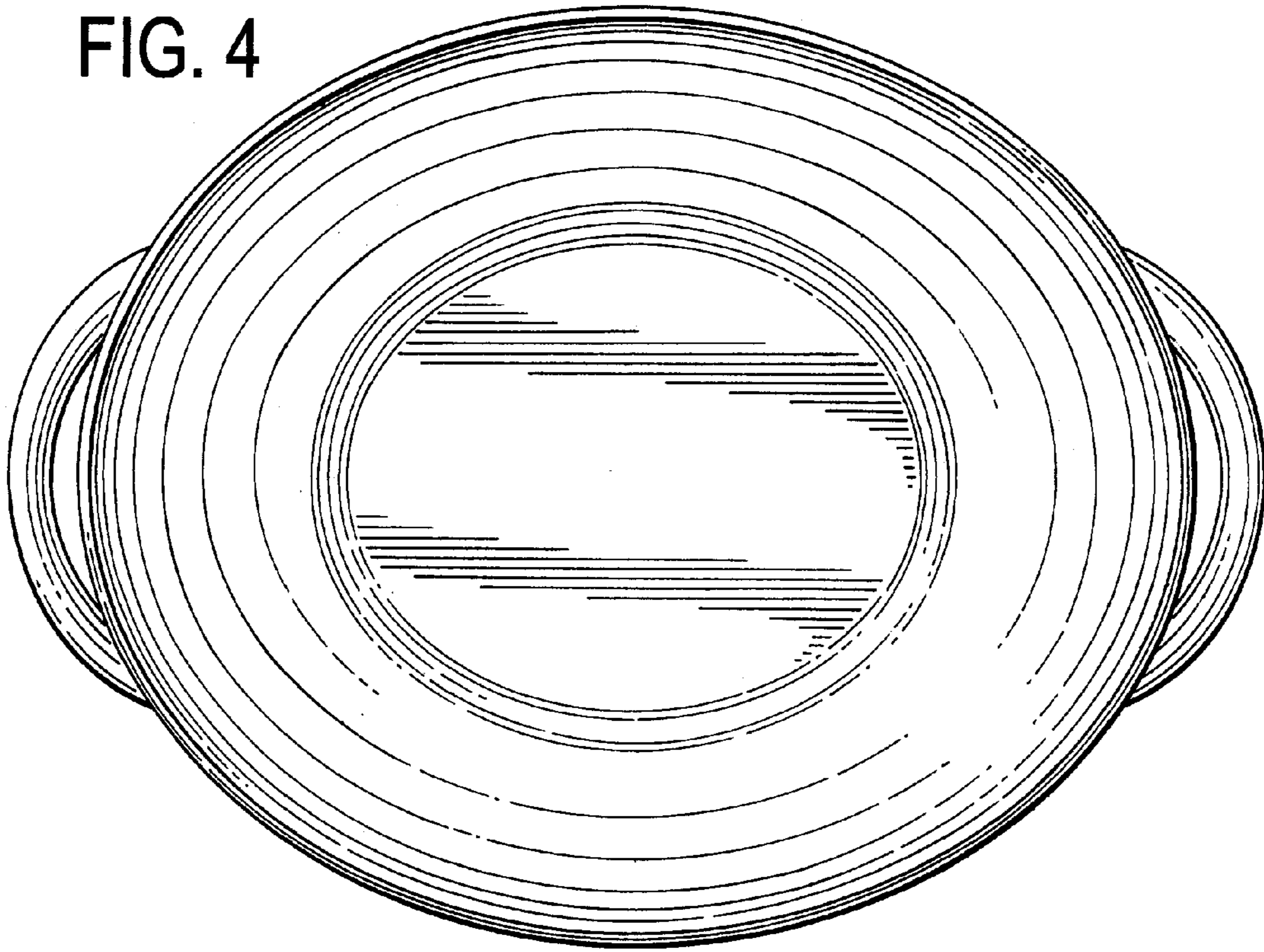


FIG. 5

