

US00D547609S

(12) **United States Design Patent**  
**Chung**

(10) **Patent No.:** **US D547,609 S**

(45) **Date of Patent:** **\*\* Jul. 31, 2007**

(54) **CONTROL PANEL FOR A BARBECUE GRILL**

(76) Inventor: **Kiosky Chung**, 8F-1, No.497,  
Jhongming S. Rd. West District,  
Taichung City (TW) 403

(\*\*) Term: **14 Years**

(21) Appl. No.: **29/251,967**

(22) Filed: **Jan. 17, 2006**

(51) **LOC (8) Cl.** ..... **07-02**

(52) **U.S. Cl.** ..... **D7/406**

(58) **Field of Classification Search** ..... D7/332-337,  
D7/402-406, 339-341, 346-348; D23/335-336,  
D23/343; 126/500, 506, 519, 40, 50, 9 R,  
126/9 B, 25 R, 25 A, 304 R, 305, 268, 276,  
126/41 R, 37 R, 39 B, 214 A, 214 B, 214 R,  
126/273 R; 99/445, 448, 481-482, 337-338;  
248/128-129; 312/249.8, 249.13, 351.2;  
D6/511, 574

See application file for complete search history.

(56) **References Cited**

**U.S. PATENT DOCUMENTS**

- D187,902 S \* 5/1960 Poracki et al. .... D7/406
- D188,362 S \* 7/1960 Poracki ..... D7/406
- D369,514 S \* 5/1996 Baldwin ..... D7/406
- D397,909 S \* 9/1998 Ashcraft et al. .... D7/405
- D501,753 S \* 2/2005 Pai ..... D7/334

- D503,065 S \* 3/2005 Pai ..... D7/334
- D508,363 S \* 8/2005 Chung ..... D7/334
- D521,308 S \* 5/2006 Tseng ..... D7/334
- D528,851 S \* 9/2006 Chung ..... D7/334
- D529,329 S \* 10/2006 Chung ..... D7/334
- D529,330 S \* 10/2006 Chung ..... D7/334
- D533,010 S \* 12/2006 Pai ..... D7/334

\* cited by examiner

*Primary Examiner*—Ruth McInroy

(74) *Attorney, Agent, or Firm*—Banger Shia

(57) **CLAIM**

I claim the ornamental design for a control panel for a barbecue grill, as shown and described.

**DESCRIPTION**

FIG. 1 is a perspective view of a control panel for a barbecue grill, showing my new design;

FIG. 2 is a front elevational view thereof;

FIG. 3 is a rear elevational view thereof;

FIG. 4 is a left side elevational view thereof;

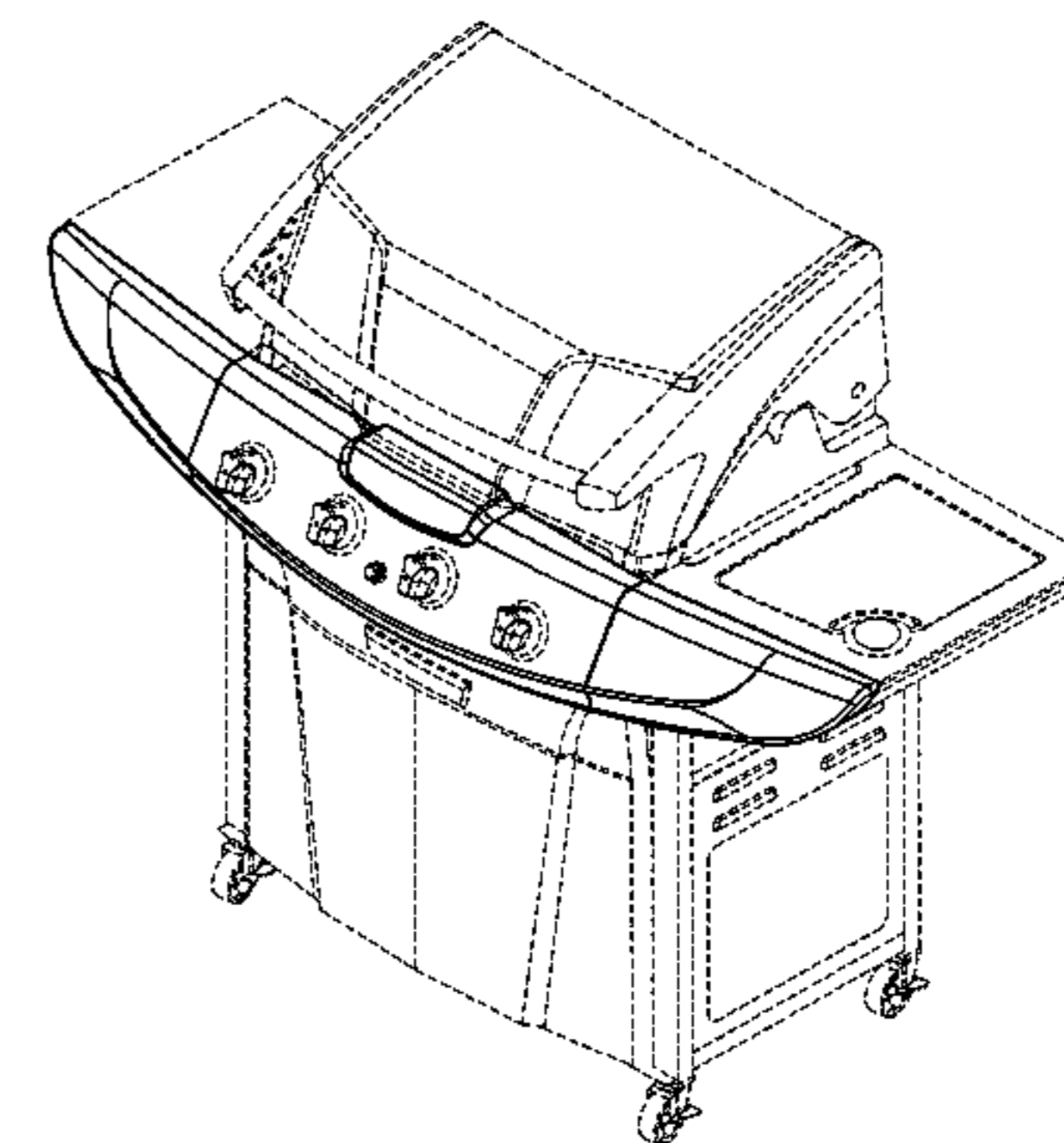
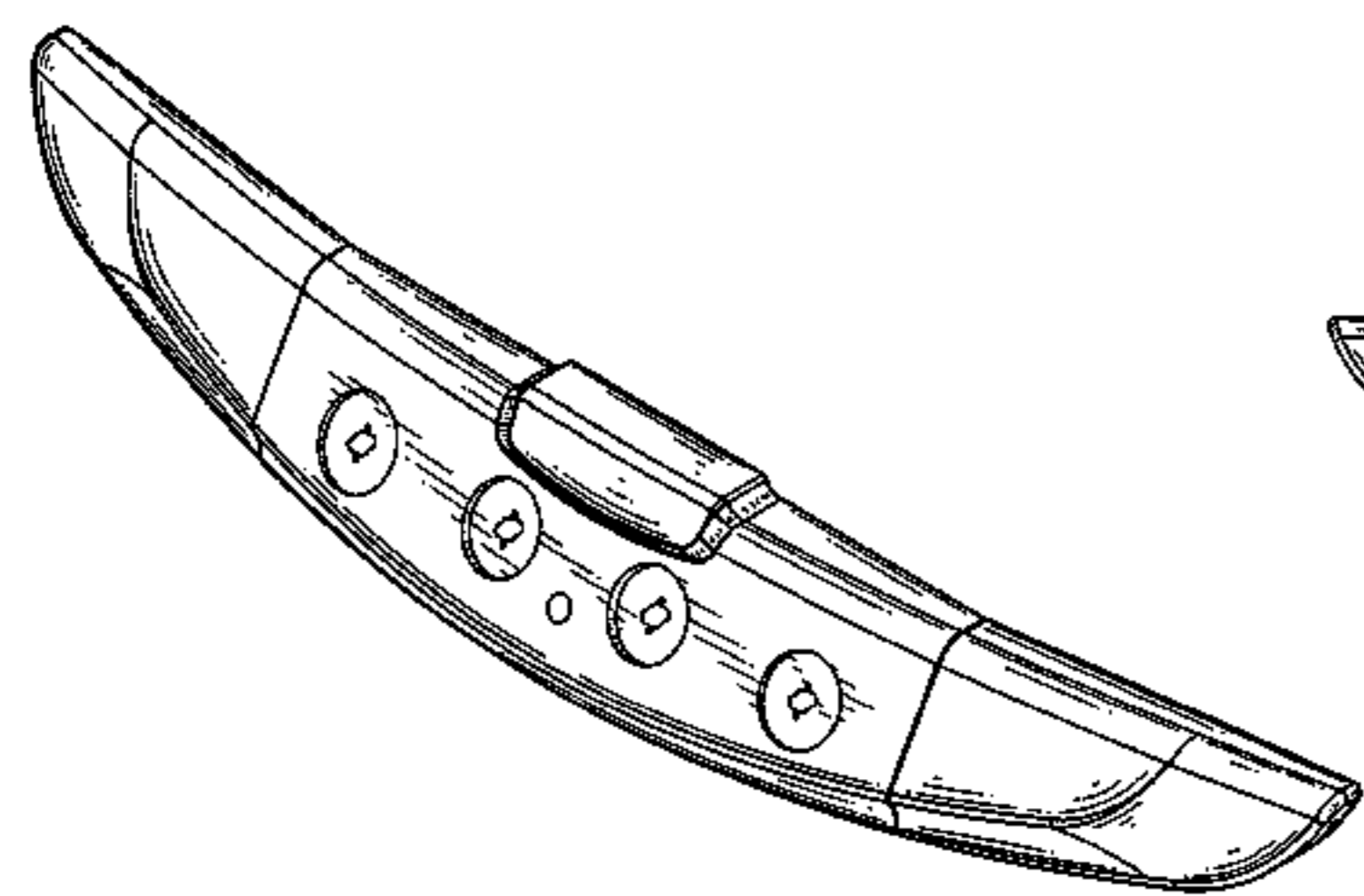
FIG. 5 is a right side elevational view thereof;

FIG. 6 is a top plan view thereof; and

FIG. 7 is a bottom plan view thereof; and,

FIG. 8 is a perspective view thereof, the portions of the grill shown in broken lines forms no part of the claimed design.

**1 Claim, 8 Drawing Sheets**



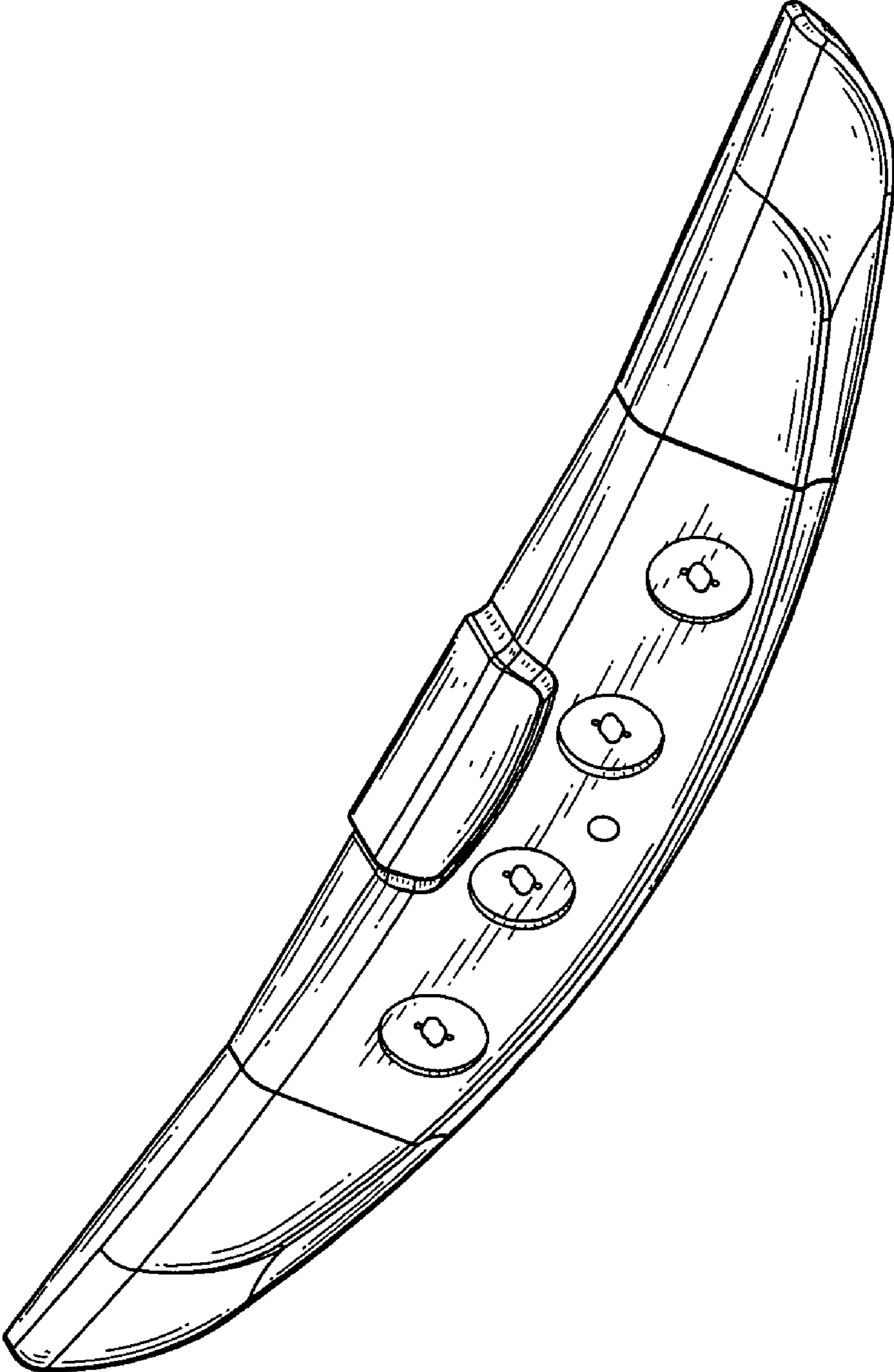


FIG. 1

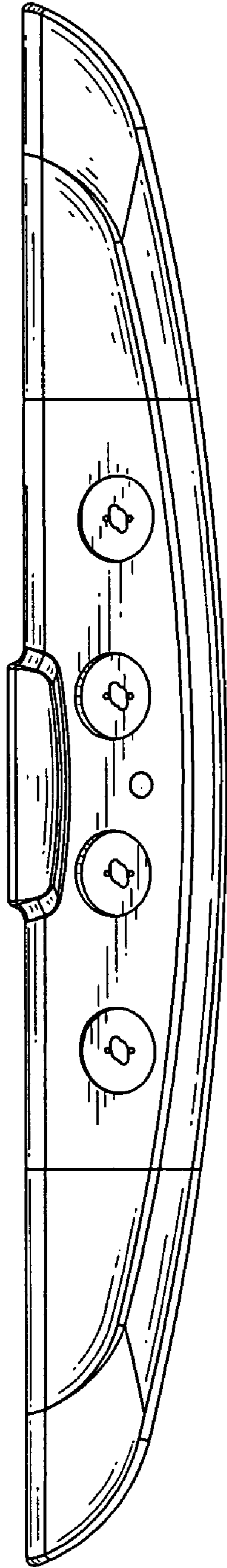


FIG. 2

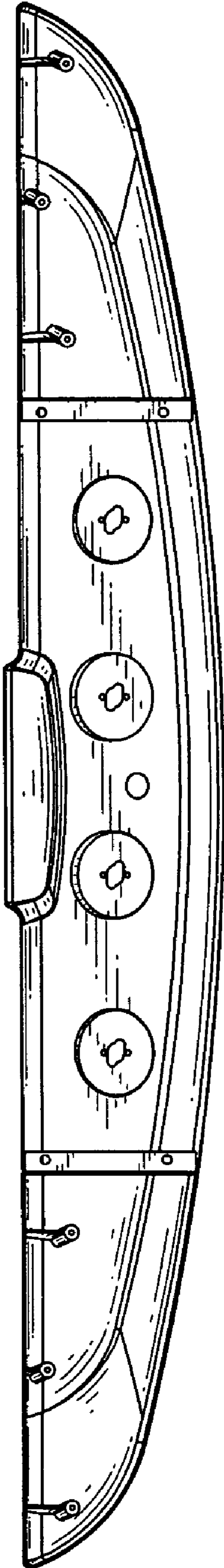


FIG. 3

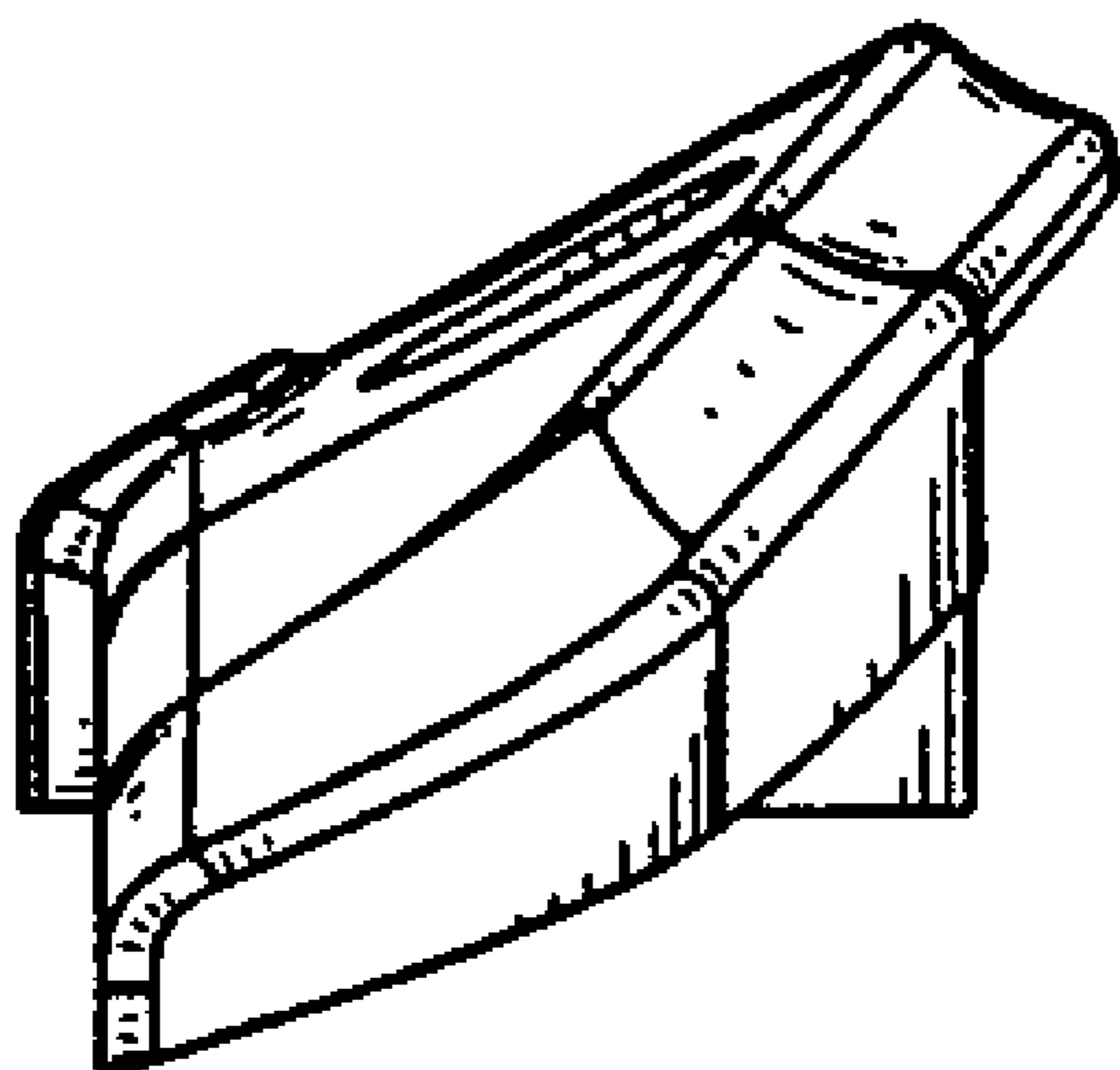


FIG. 4

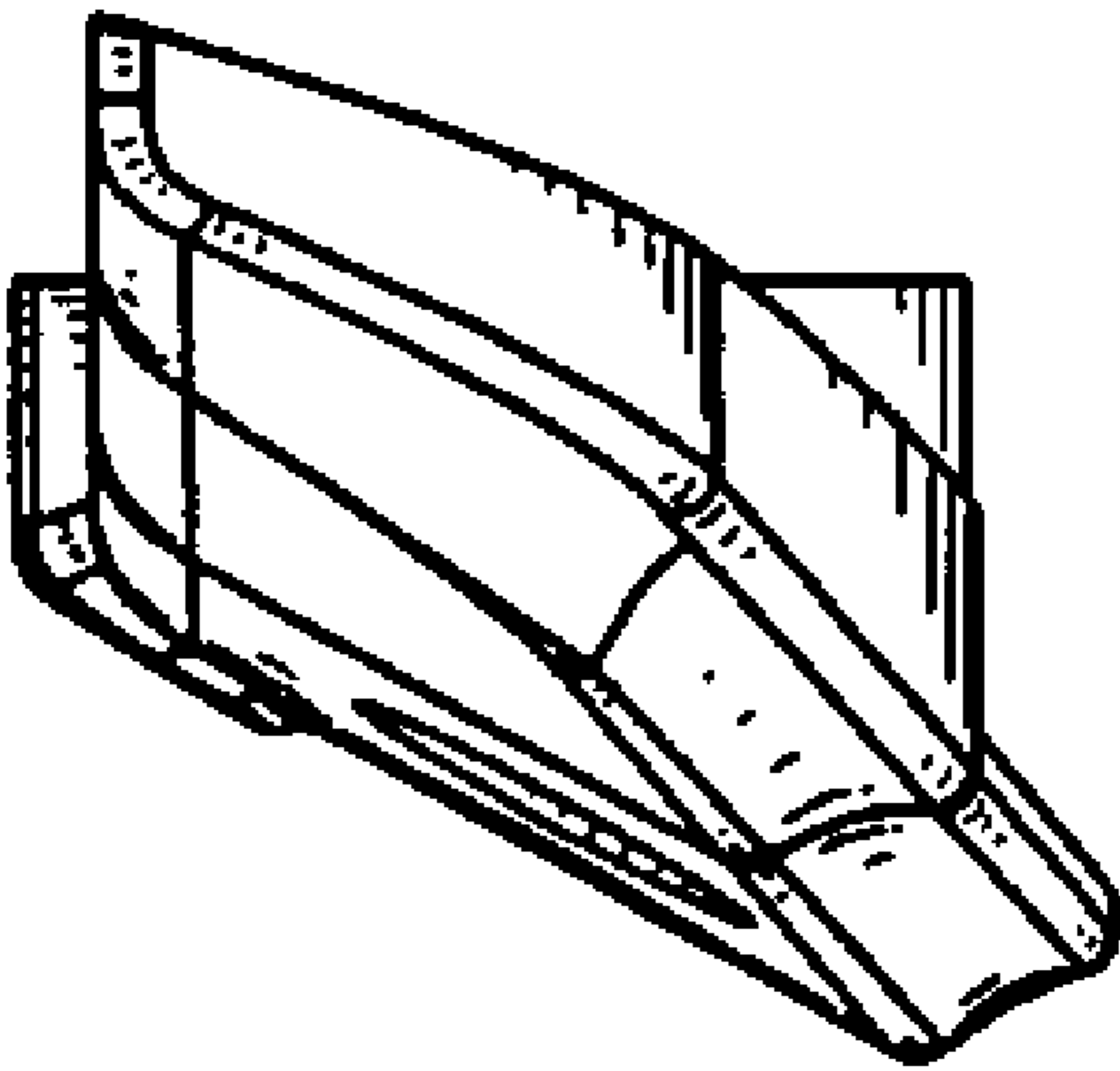


FIG. 5

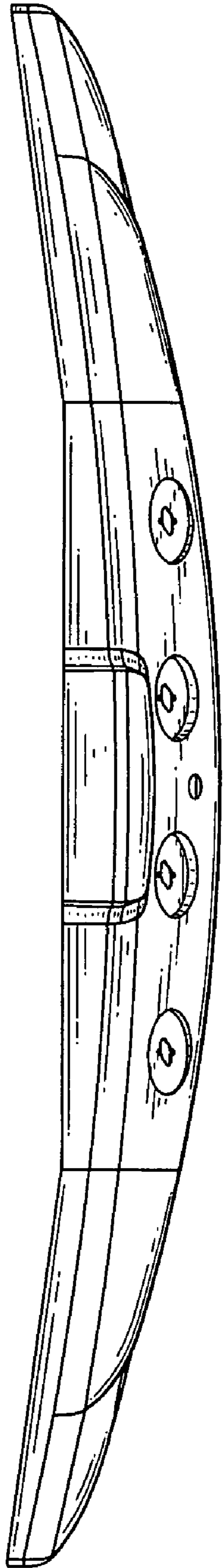


FIG. 6

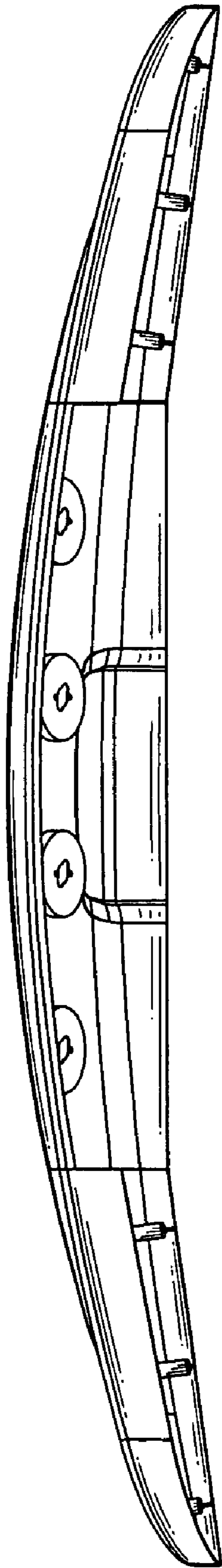


FIG. 7



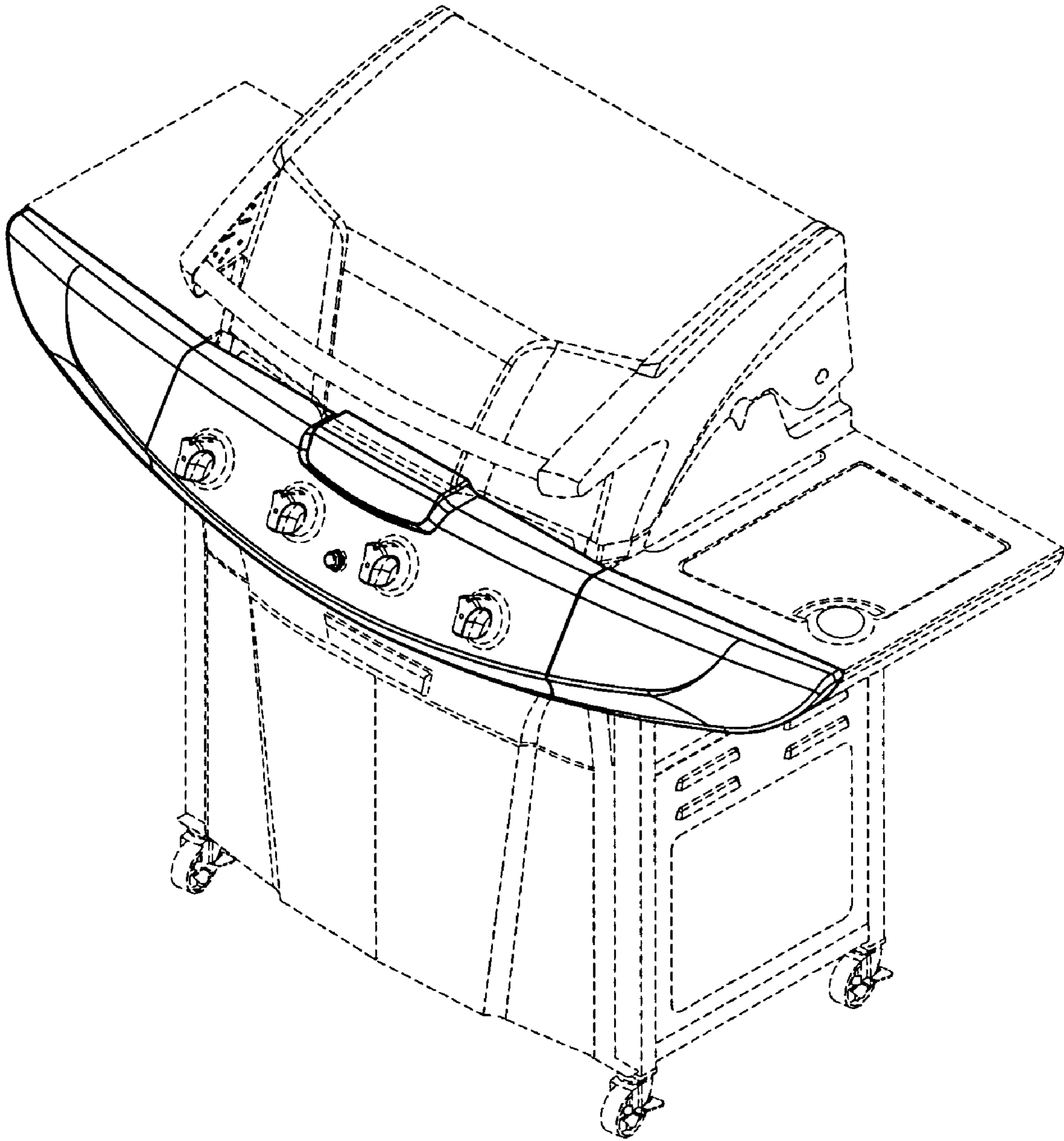


FIG. 8