

US00D547603S

(12) **United States Design Patent**
Passman

(10) **Patent No.:** **US D547,603 S**

(45) **Date of Patent:** **** Jul. 31, 2007**

(54) **SUPPORT FOR COOKING UTENSIL**

D444,991 S * 7/2001 Measom D7/337
D506,219 S * 6/2005 Eason D16/244

(76) **Inventor:** **Pat Passman**, 31289 Greenwell Springs Rd., Greenwell Springs, LA (US) 70739

* cited by examiner

(**) **Term:** **14 Years**

Primary Examiner—Philip S. Hyder

Assistant Examiner—Cynthia Underwood

(21) **Appl. No.:** **29/259,559**

(74) *Attorney, Agent, or Firm*—Keaty Professional Law Corporation

(22) **Filed:** **May 11, 2006**

(57) **CLAIM**

(51) **LOC (8) Cl.** **07-01**

(52) **U.S. Cl.** **D7/388; D7/355**

(58) **Field of Classification Search** D7/306,
D7/323, 3, 312, 326, 362, 366–368, 377,
D7/388, 402, 403, 407, 409, 337, 355, 360,
D7/361, 533, 558, 601, 602; D16/172, 244;
D23/214, 388, 259; D6/495, 499; D22/147;
248/126, 127, 317, 318, 346.01, 172; 99/324,
99/326, 331, 340, 450; 219/732

The ornamental design for a support for cooking utensil, as shown and described.

See application file for complete search history.

DESCRIPTION

(56) **References Cited**

U.S. PATENT DOCUMENTS

925,849	A	*	6/1909	Stahl	248/172
943,569	A	*	12/1909	Soamardi	126/38
D41,722	S	*	8/1911	Prior et al.	D7/320
1,548,410	A	*	8/1925	Derbyshire	248/172
D213,329	S	*	2/1969	Boster	D7/589
D225,169	S	*	11/1972	McGowan	D7/366
4,385,619	A	*	5/1983	Casinelli	126/9 B
D318,976	S	*	8/1991	Thurlow et al.	D7/355
D362,143	S	*	9/1995	Gabriel-Lacki et al.	D6/496
D369,513	S	*	5/1996	Hirt et al.	D7/403

FIG. 1 is a perspective view of my new ornamental design for a support for cooking utensil.

FIG. 2 is a right view of a support for cooking utensil shown in FIG. 1.

FIG. 3 is a left view of a support for cooking utensil shown in FIGS. 1 and 2.

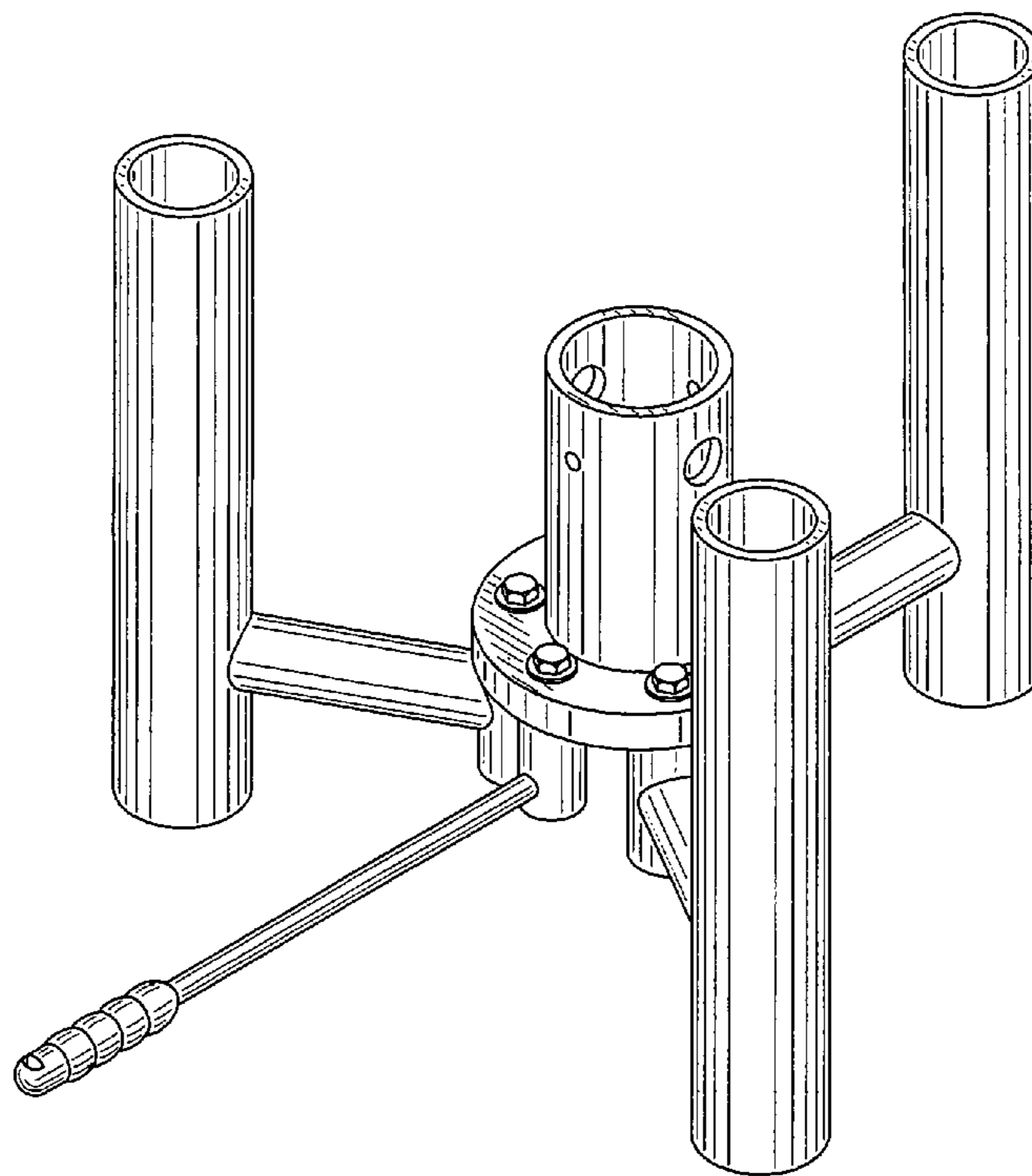
FIG. 4 is a top side view of a support for cooking utensil shown in FIGS. 1–3.

FIG. 5 is a bottom side view of a support for cooking utensil shown in FIGS. 1–4.

FIG. 6 is a front view of a support for cooking utensil shown in FIGS. 1–5; and,

FIG. 7 is a back view of a support for cooking utensil shown in FIGS. 1–6.

1 Claim, 7 Drawing Sheets



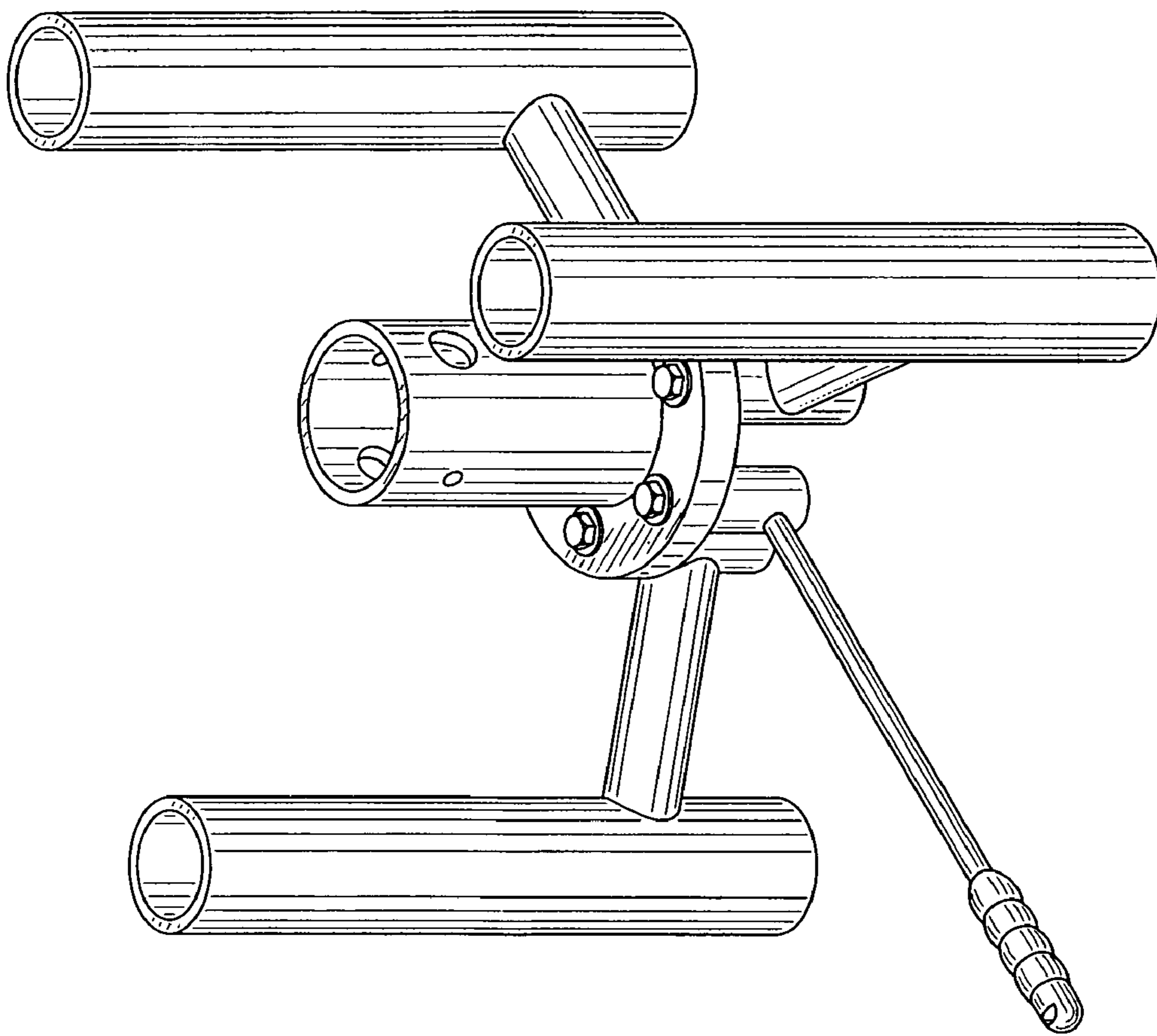


FIG. 1

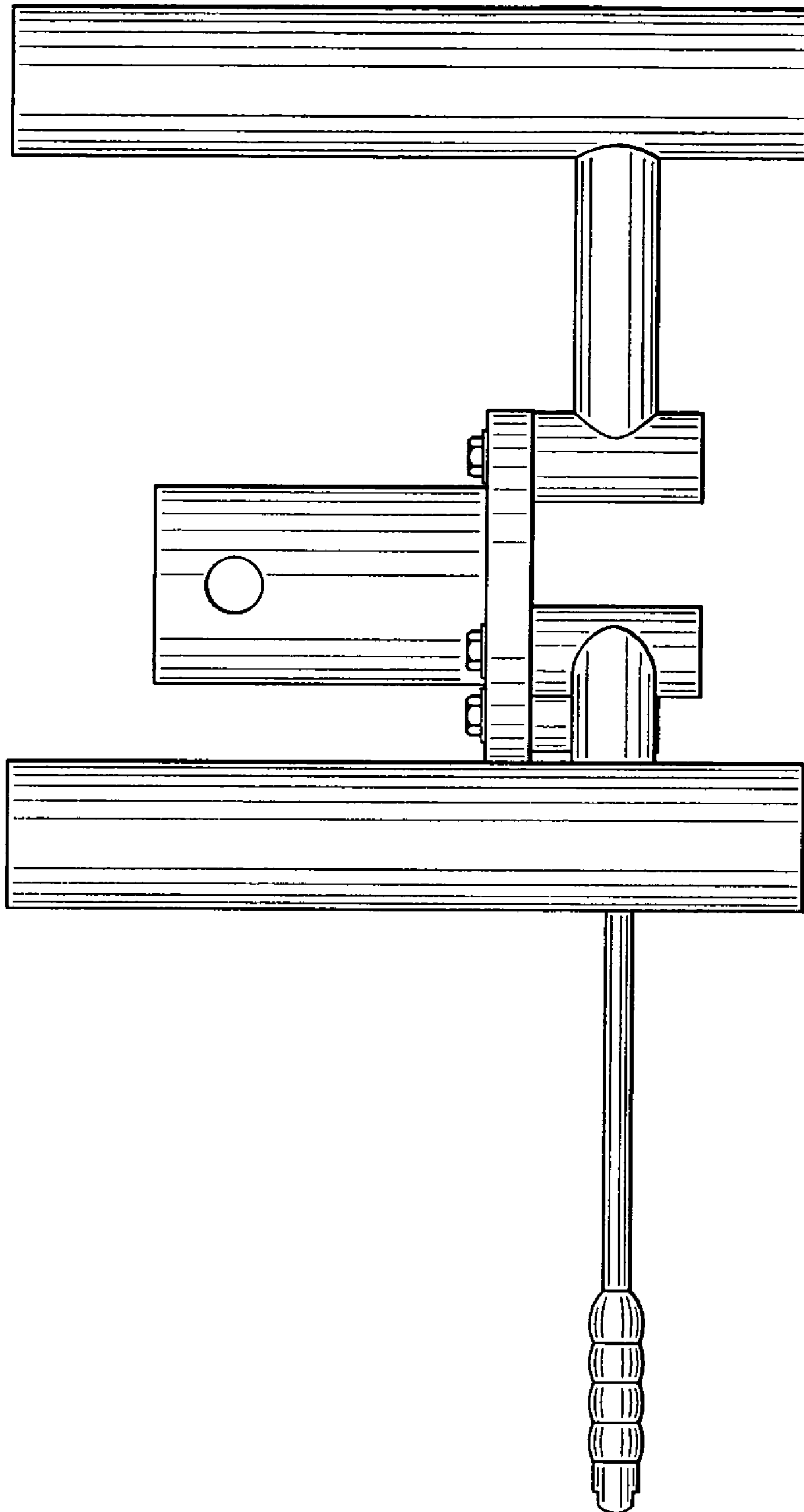


FIG. 2

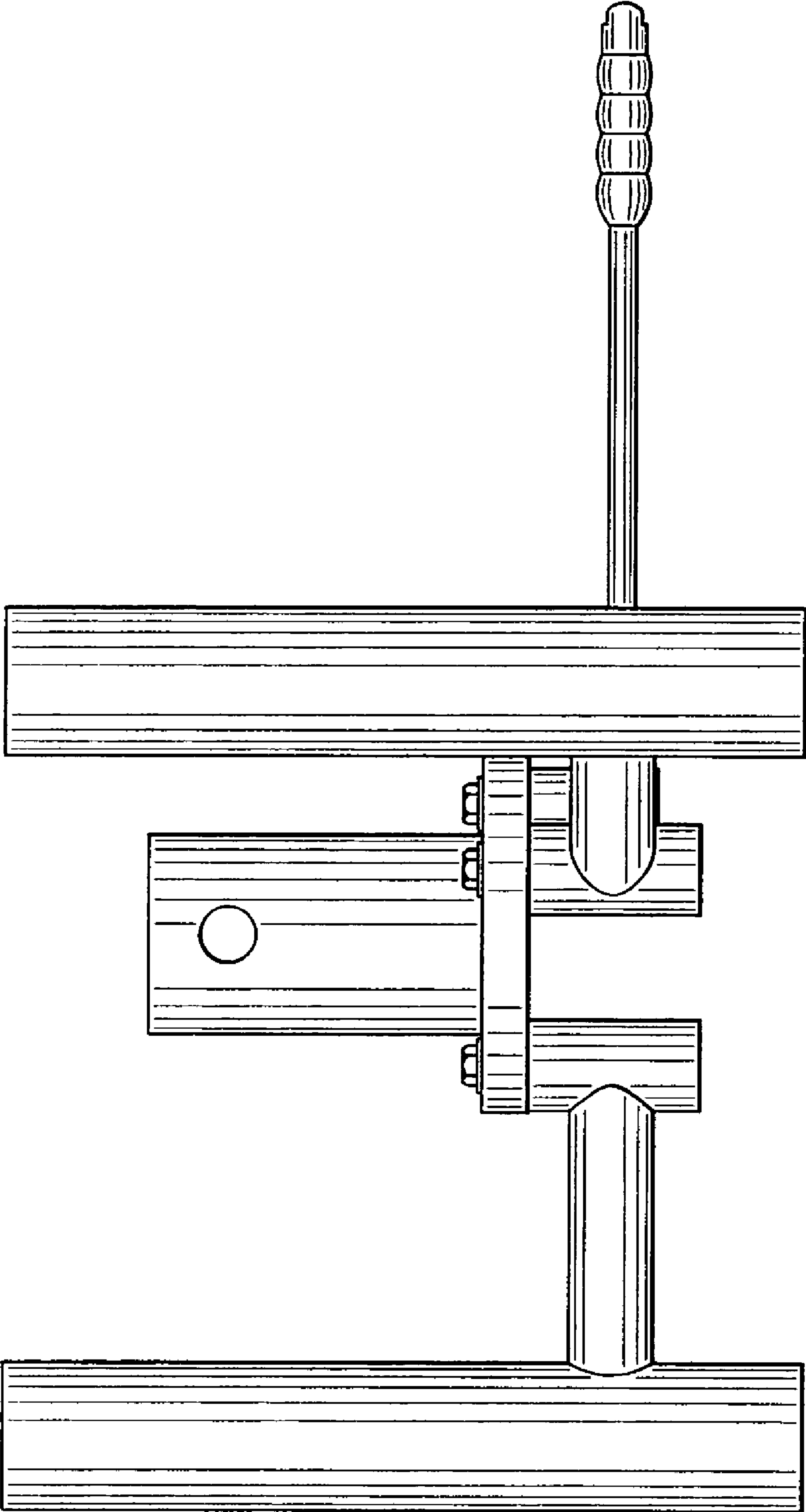


FIG. 3

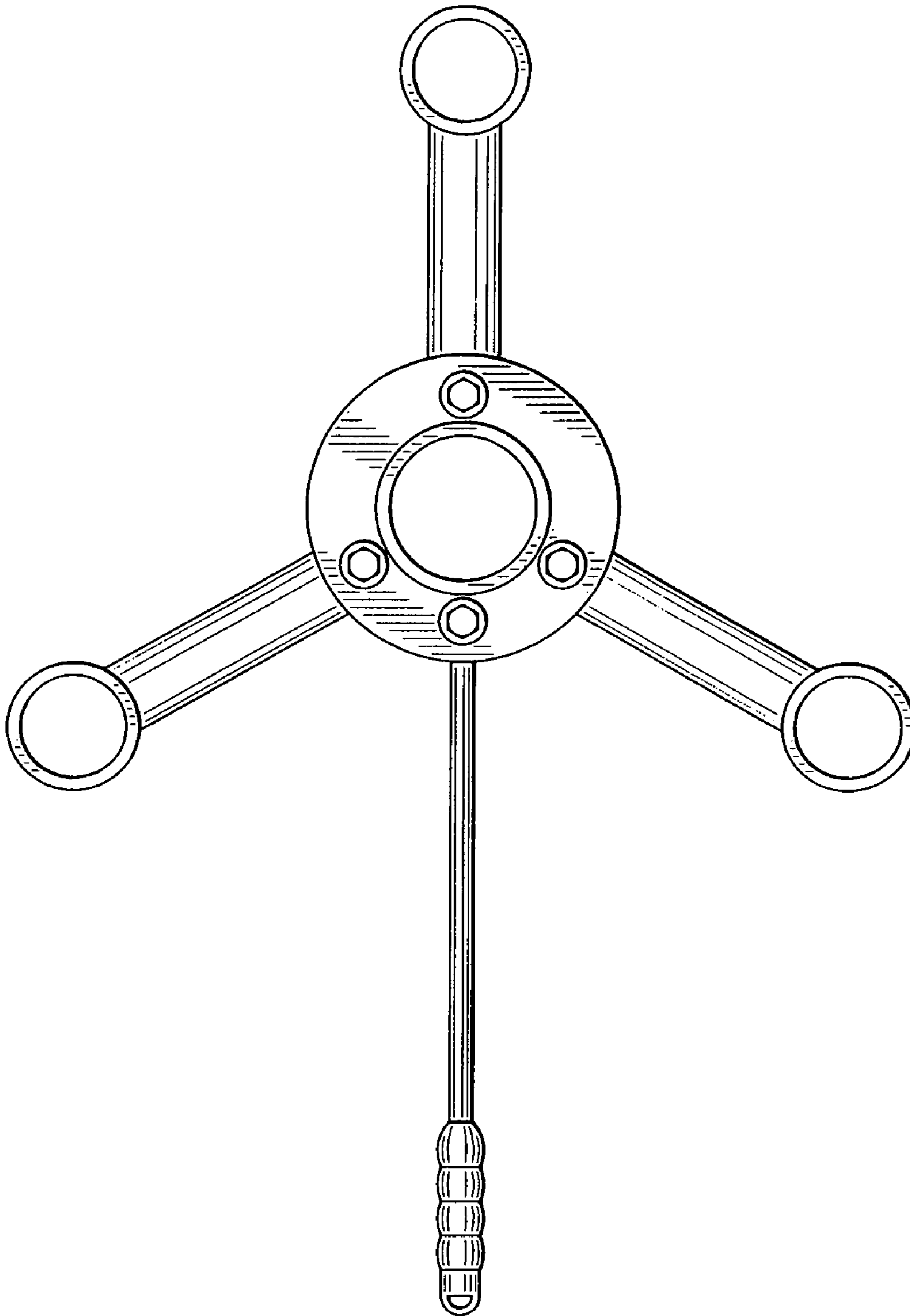


FIG. 4

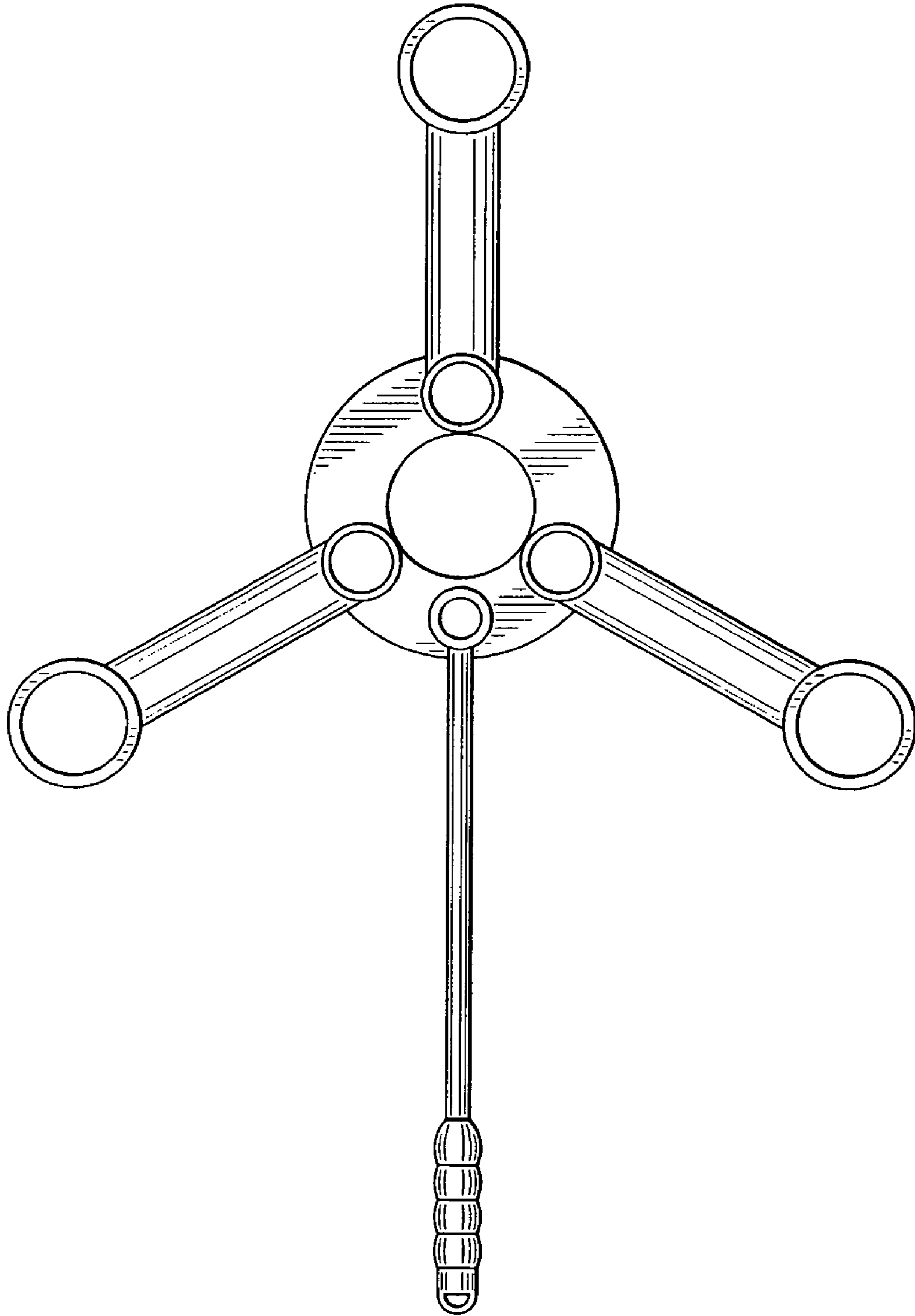


FIG. 5

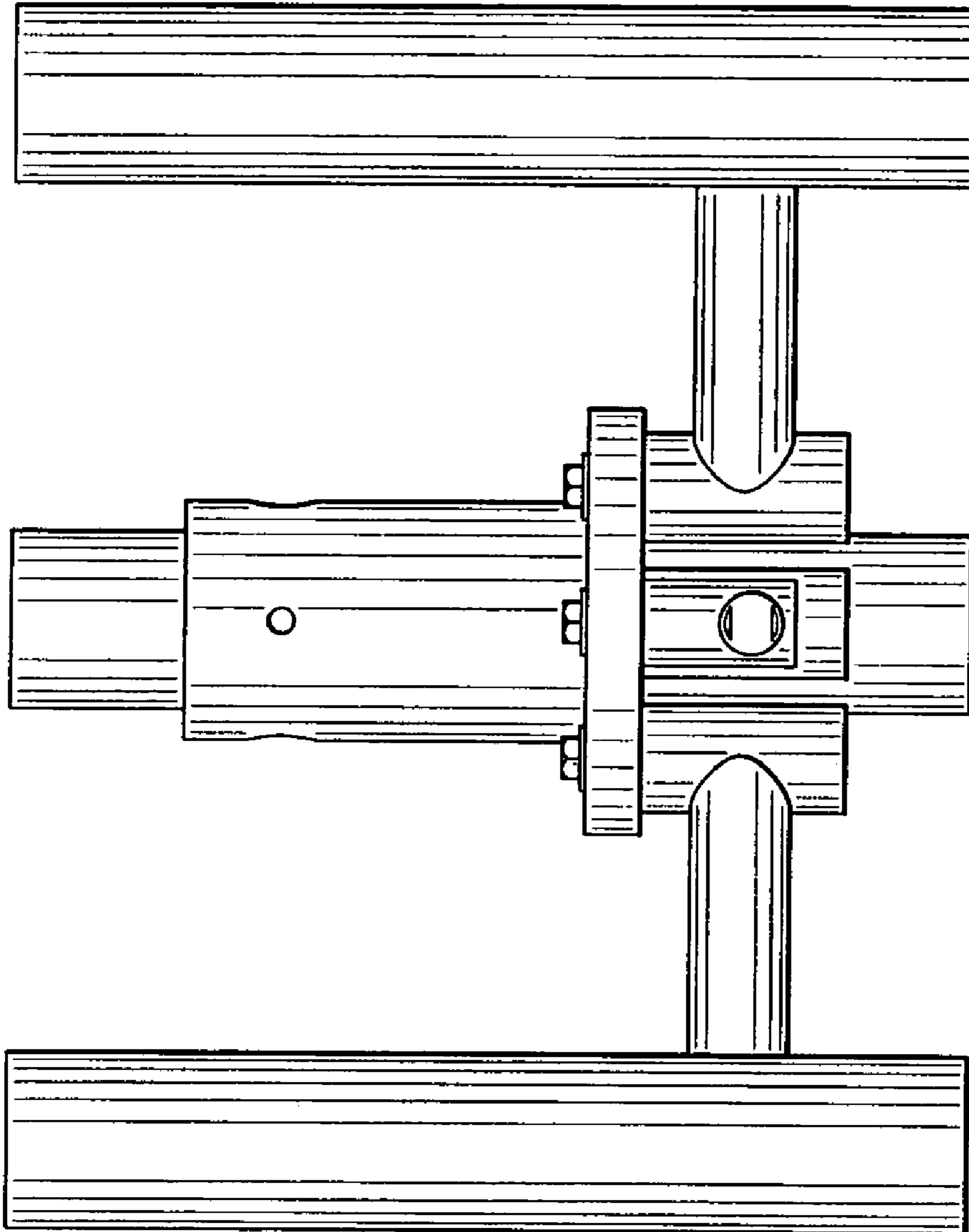


FIG. 6

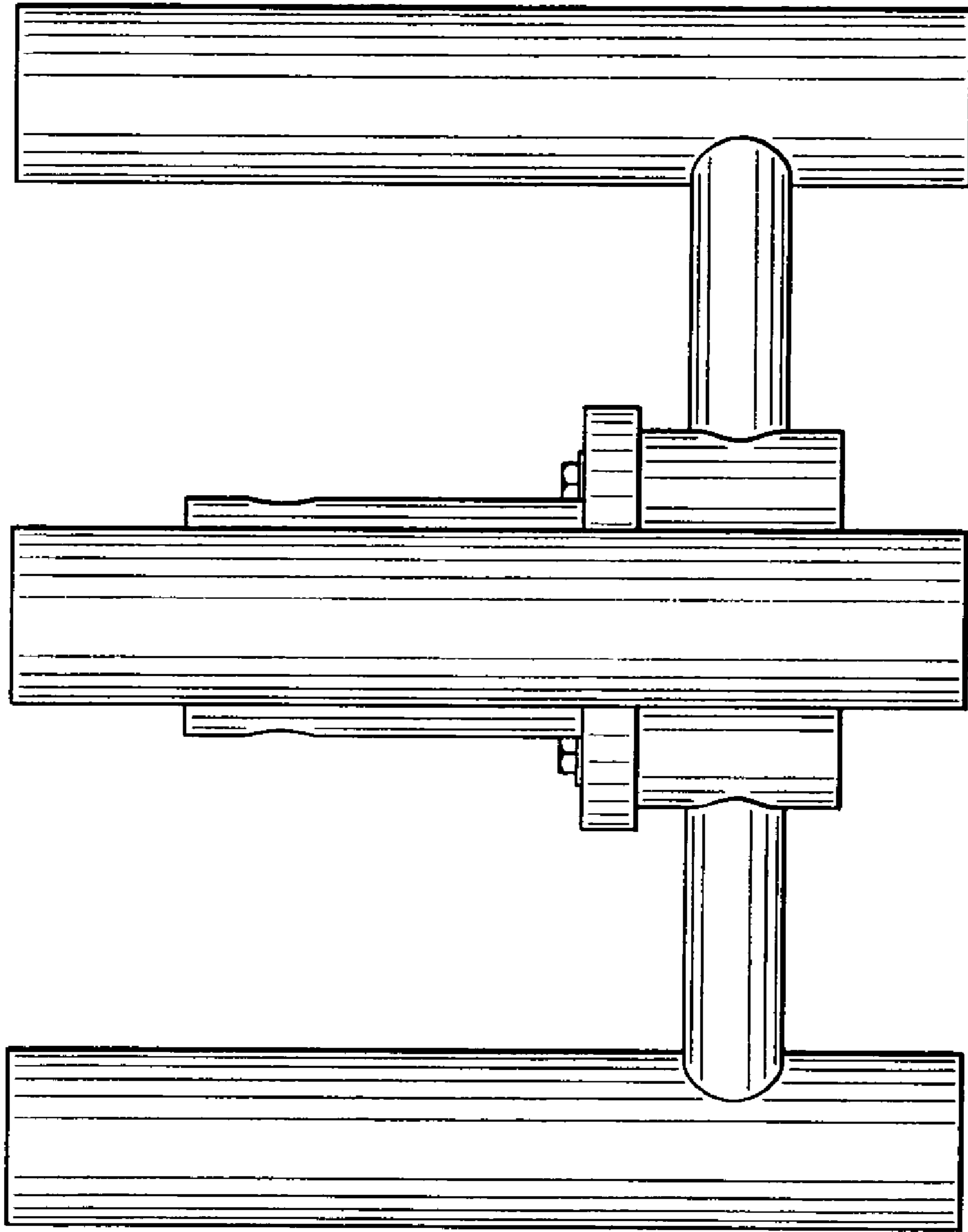


FIG. 7