



US00D547602S

(12) **United States Design Patent**  
**Yamasaki et al.**

(10) **Patent No.:** **US D547,602 S**  
(45) **Date of Patent:** **\*\* Jul. 31, 2007**

(54) **STEAMING PLATE FOR RICE COOKER**

(75) Inventors: **Isamu Yamasaki**, Tottori (JP);  
**Yasumasa Yamane**, Tottori Prefecture  
(JP); **Yoshio Ueki**, Tottori (JP)

(73) Assignees: **Sanyo Electric Co., Ltd.**, Osaka (JP);  
**Tottori Sanyo Electric Co., Ltd.**,  
Tottori (JP)

(\*\*) Term: **14 Years**

(21) Appl. No.: **29/253,331**

(22) Filed: **Feb. 6, 2006**

(30) **Foreign Application Priority Data**

Sep. 6, 2005 (JP) ..... 2005-025721

(51) **LOC (8) Cl.** ..... **07-02**

(52) **U.S. Cl.** ..... **D7/387**

(58) **Field of Classification Search** ..... D7/323,  
D7/387, 354-361, 400, 402, 409, 542, 538-549,  
D7/601, 602, 605, 612, 629-630, 667-668;  
D9/424-432; 99/324-341, 357, 400-419,  
99/444-450, 473, 476, 483, 499; 126/20,  
126/369, 369.1-369.2, 373.1, 377.1; 210/464,  
210/466, 477, 479, 497.1, 498; 219/401;  
220/574-575, 573.1, 669-676, 780-805,  
220/912; 426/509-511, 523

See application file for complete search history.

(56) **References Cited**

U.S. PATENT DOCUMENTS

222,296 A \* 12/1879 McMurray ..... 99/450  
1,909,983 A \* 5/1933 Powell ..... 220/529  
2,667,117 A \* 1/1954 Millard et al. .... 99/418  
4,138,939 A \* 2/1979 Feld ..... 99/418  
D255,751 S \* 7/1980 Daenen ..... D7/667  
D261,343 S \* 10/1981 Gibiec ..... D7/667  
D303,066 S \* 8/1989 Gadzinski et al. .... D7/388  
D308,799 S \* 6/1990 Yamada et al. .... D7/359  
D316,505 S \* 4/1991 Chow ..... D7/667  
5,097,753 A \* 3/1992 Naft ..... 99/341

D336,727 S \* 6/1993 Skerker et al. .... D7/409  
D338,132 S \* 8/1993 Chang ..... D7/356  
D350,881 S \* 9/1994 VanValkenburg et al. .... D7/629  
D353,080 S \* 12/1994 Cantereels et al. .... D7/667  
D381,553 S \* 7/1997 Candianides ..... D7/356  
D391,440 S \* 3/1998 Cousins ..... D7/360  
6,167,799 B1 \* 1/2001 Macias ..... 99/413  
6,443,053 B1 \* 9/2002 Rossi ..... 99/340  
D463,719 S \* 10/2002 Epstein et al. .... D7/667  
D469,667 S \* 2/2003 Burton ..... D7/667  
D473,751 S \* 4/2003 Kaposi ..... D7/409  
D522,308 S \* 6/2006 Ball et al. .... D7/360  
D533,030 S \* 12/2006 Kearney et al. .... D7/409  
2004/0129705 A1 \* 7/2004 Hasegawa ..... 220/316  
2005/0092762 A1 \* 5/2005 Murat et al. .... 220/912  
2005/0115417 A1 \* 6/2005 Murat et al. .... 99/413

FOREIGN PATENT DOCUMENTS

EP 1348369 A1 \* 10/2003

\* cited by examiner

*Primary Examiner*—Cathron C. Brooks

*Assistant Examiner*—Ricky Pham

(74) *Attorney, Agent, or Firm*—Westerman, Hattori, Daniels  
& Adrian, LLP.

(57) **CLAIM**

The ornamental design for a steaming plate for a rice cooker,  
as shown and described.

**DESCRIPTION**

FIG. 1 shows a top plan view of a steaming plate for rice  
cooker.

FIG. 2 shows a bottom view of the steaming plate for rice  
cooker.

FIG. 3 shows a left side view of the steaming plate for rice  
cooker, the right side view being a mirror image thereof.

FIG. 4 shows a front view of the steaming plate for rice  
cooker, the rear view being a mirror image thereof; and,

FIG. 5 shows a perspective view of the steaming plate for  
rice cooker.

**1 Claim, 5 Drawing Sheets**

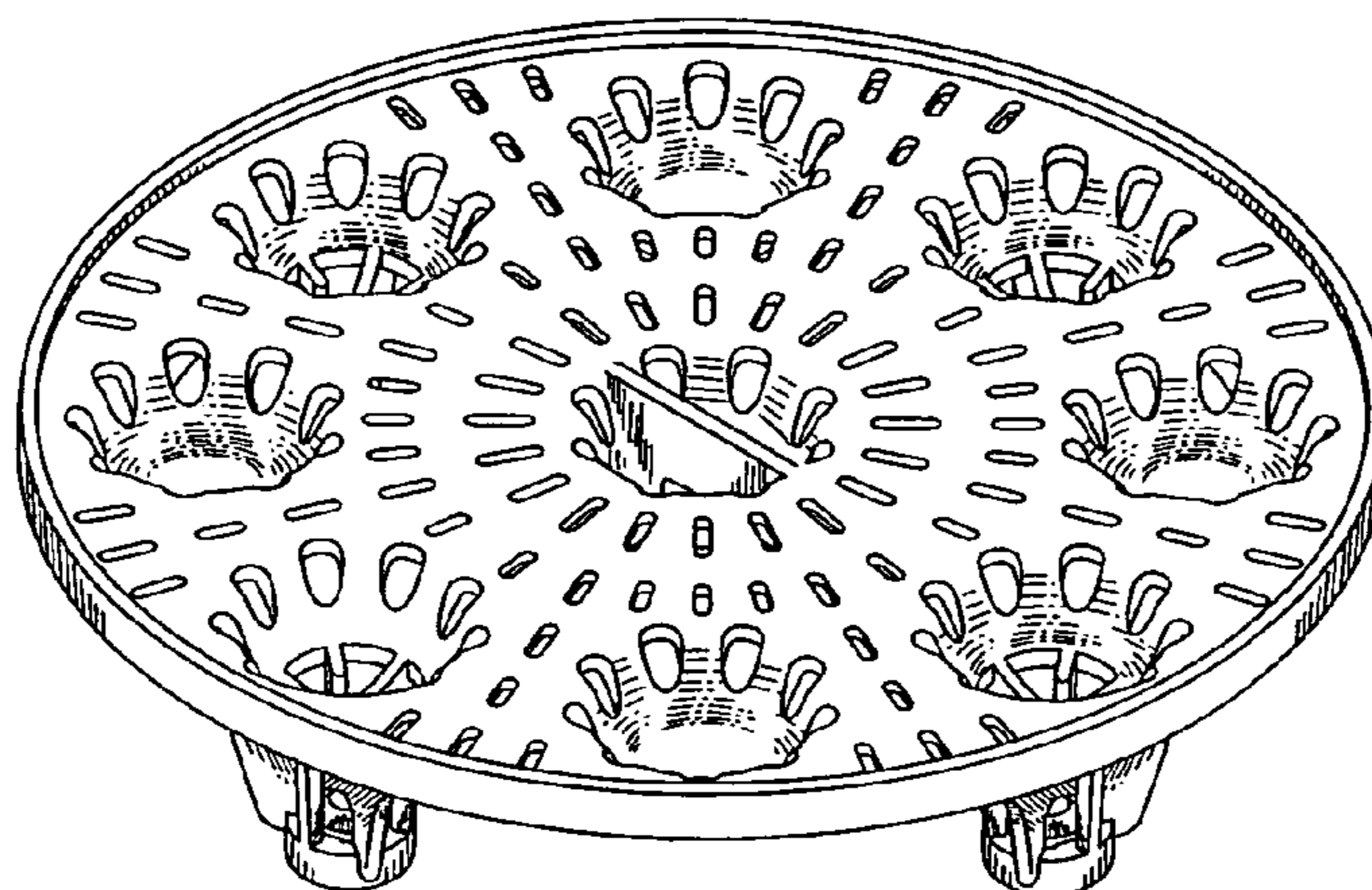


Fig. 1

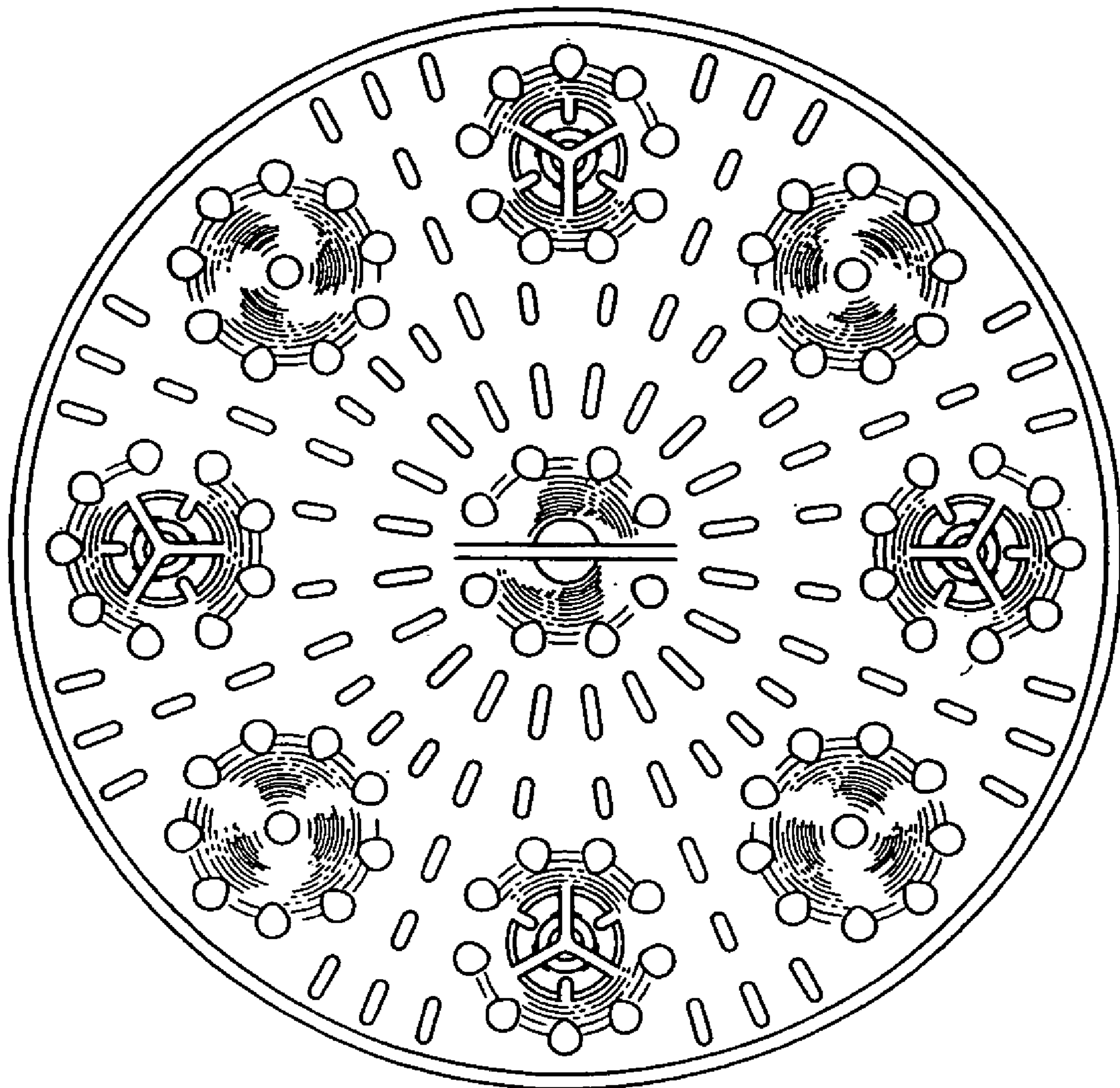


Fig. 2

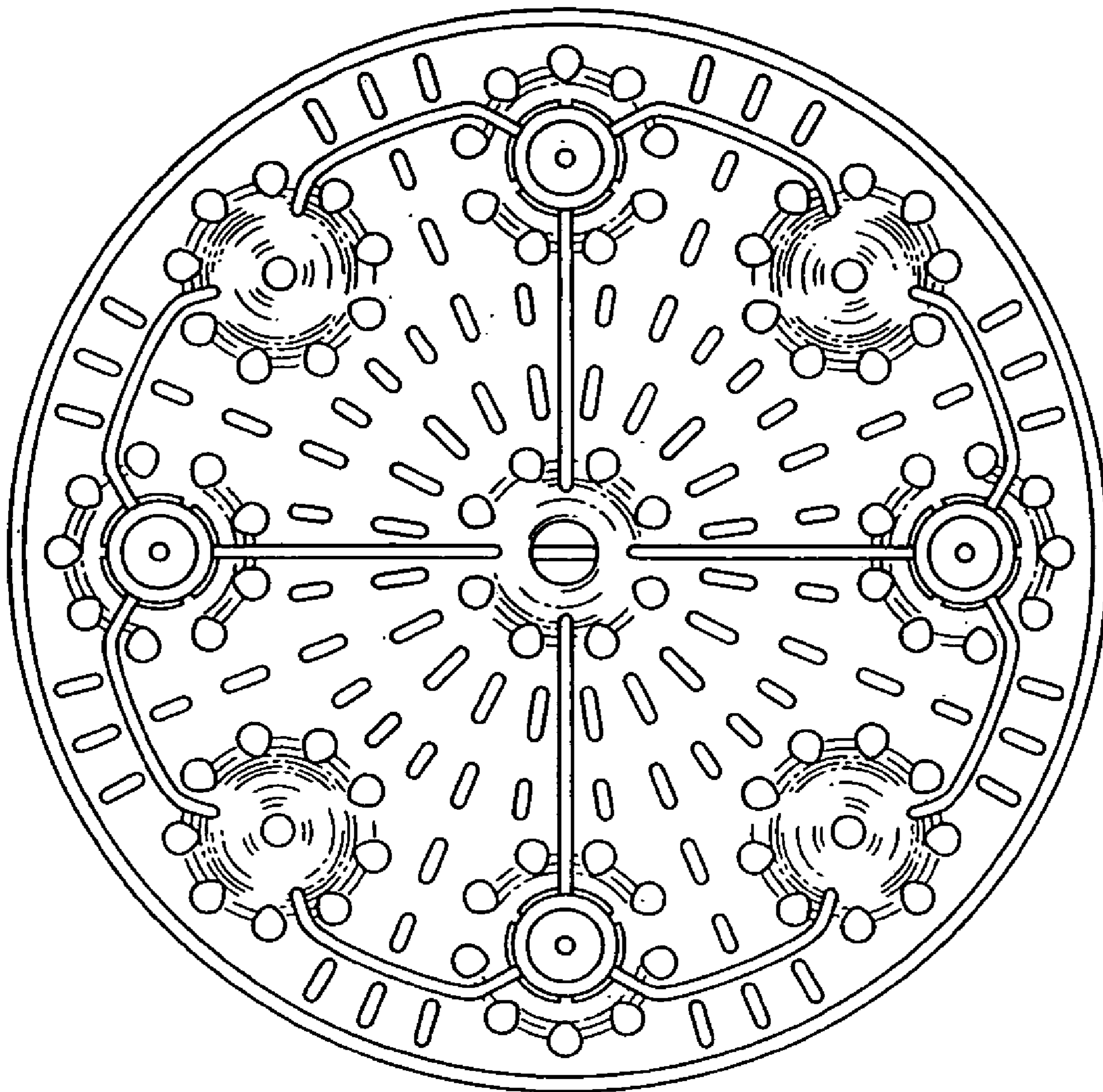


Fig. 3

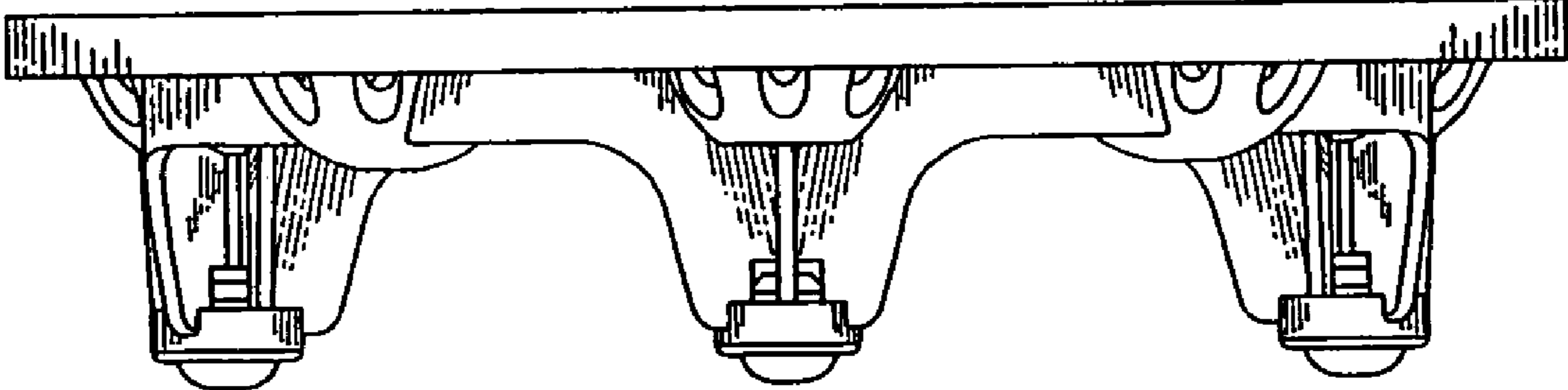


Fig. 4

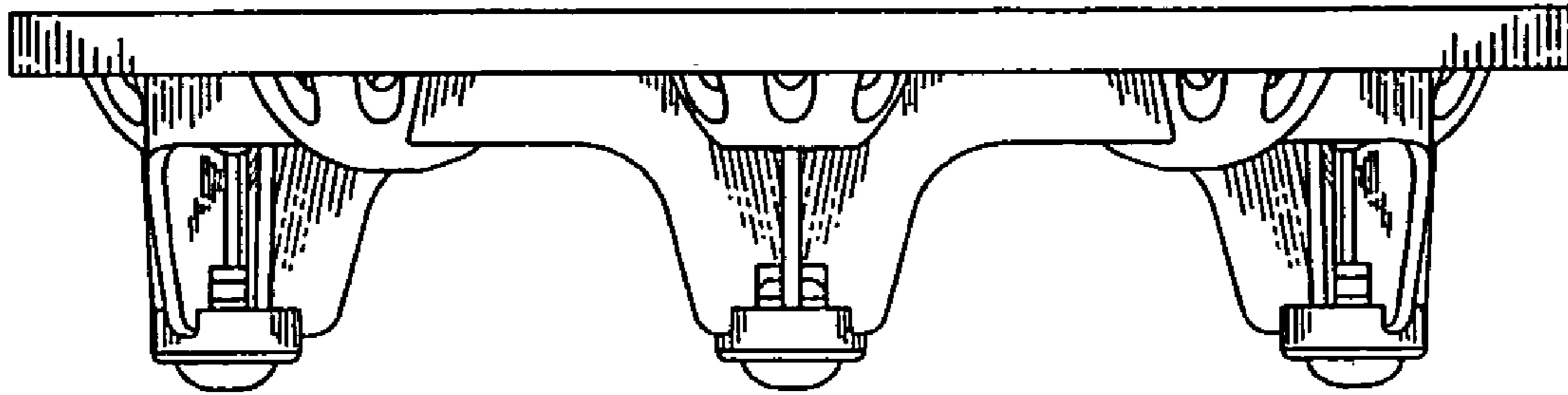


Fig. 5

