



US00D547601S

(12) **United States Design Patent**  
**Ting et al.**

(10) **Patent No.:** **US D547,601 S**

(45) **Date of Patent:** **\*\* Jul. 31, 2007**

(54) **FOOD PROCESSOR**  
(75) Inventors: **LuJie Ting**, Shenzhen (CN); **Brian K. Beesley**, Draper, UT (US)

JP 2004 113278 4/2004  
JP 2004 357752 12/2004  
WO WO2004/080252 9/2004

(73) Assignee: **Back to Basics Products, Inc.**, Bluffdale, UT (US)

**OTHER PUBLICATIONS**

(\*\*) Term: **14 Years**

Global Sources, Breakfast Machine A V2008 Patented Breakfast Machine of 3-in-1 design; Toaster, Egg Boiler, Coffee Maker in High-Grade Design.

(21) Appl. No.: **29/260,846**

Alibaba.com, Guangzhou Well Electronic Factory, Sell Breakfast Maker 3-in-1.

(22) Filed: **Jun. 1, 2006**

Qschina.com, 3 In 1 Breakfast Machine with 6L Oven and .8L Coffee maker and 4-egg boiler, Foshan Weihe Yingfeng Electrical Appl Co., LTD.

(51) **LOC (8) Cl.** ..... **31-00**

(52) **U.S. Cl.** ..... **D7/384**

(58) **Field of Classification Search** ..... D7/376-386,  
D7/412-414, 665; 99/509-511; 241/30-37.5,  
241/101.01-101.2, 166-169.1, 274-278.2,  
241/285.1-285.3, 291, 292.1; 366/64-67,  
366/98, 197-221, 241-254, 279-292, 341-343,  
366/325.94

Global sources, Congbao Electronic Manufacture Co. Ltd Automatic Breakfast Maker with Slide-out Crumb Tray, Easy to Clean.

Gizmodo The Gadgets Weblog, Three-in-One Breakfast Toaster Coffee Machine Egg Boiler.

Made-in-China.com, 3-in-1 Breakfast Maker.

Back to Basics Company Website Egg and Muffin Toaster <http://www.backtobasicsproducts.com>.

See application file for complete search history.

(56) **References Cited**

(Continued)

**U.S. PATENT DOCUMENTS**

*Primary Examiner*—Cathron C. Brooks

*Assistant Examiner*—Ricky Pham

373,113 A 11/1887 Wagner  
374,706 A 12/1887 Rosenkranz  
1,412,536 A 4/1922 Mayer  
1,874,079 A 8/1932 Black  
2,012,637 A 8/1935 Ribley

(74) *Attorney, Agent, or Firm*—Thorpe North & Western

(57) **CLAIM**

The ornamental design for a food processor, as shown and described.

(Continued)

**FOREIGN PATENT DOCUMENTS**

**DESCRIPTION**

CN 01343156.0 4/2002  
DE 1098171 1/1961  
DE 28 18 593 10/1979  
DE 29718161 2/1998  
DE 29816201 2/2000  
EP 1475024 11/2004  
GB 764361 A 12/1956  
HK 0010171.3 2/2000  
JP 55151287 11/1980  
JP 2172609 7/1990  
JP 7-227165 8/1995  
JP 7-227166 8/1995  
JP 7-231856 9/1995

FIG. 1 is an elevated, perspective view of the food processor in accordance with our invention;

FIG. 2 is a front elevation view thereof;

FIG. 3 is a back elevation view thereof;

FIG. 4 is a left side elevation view thereof;

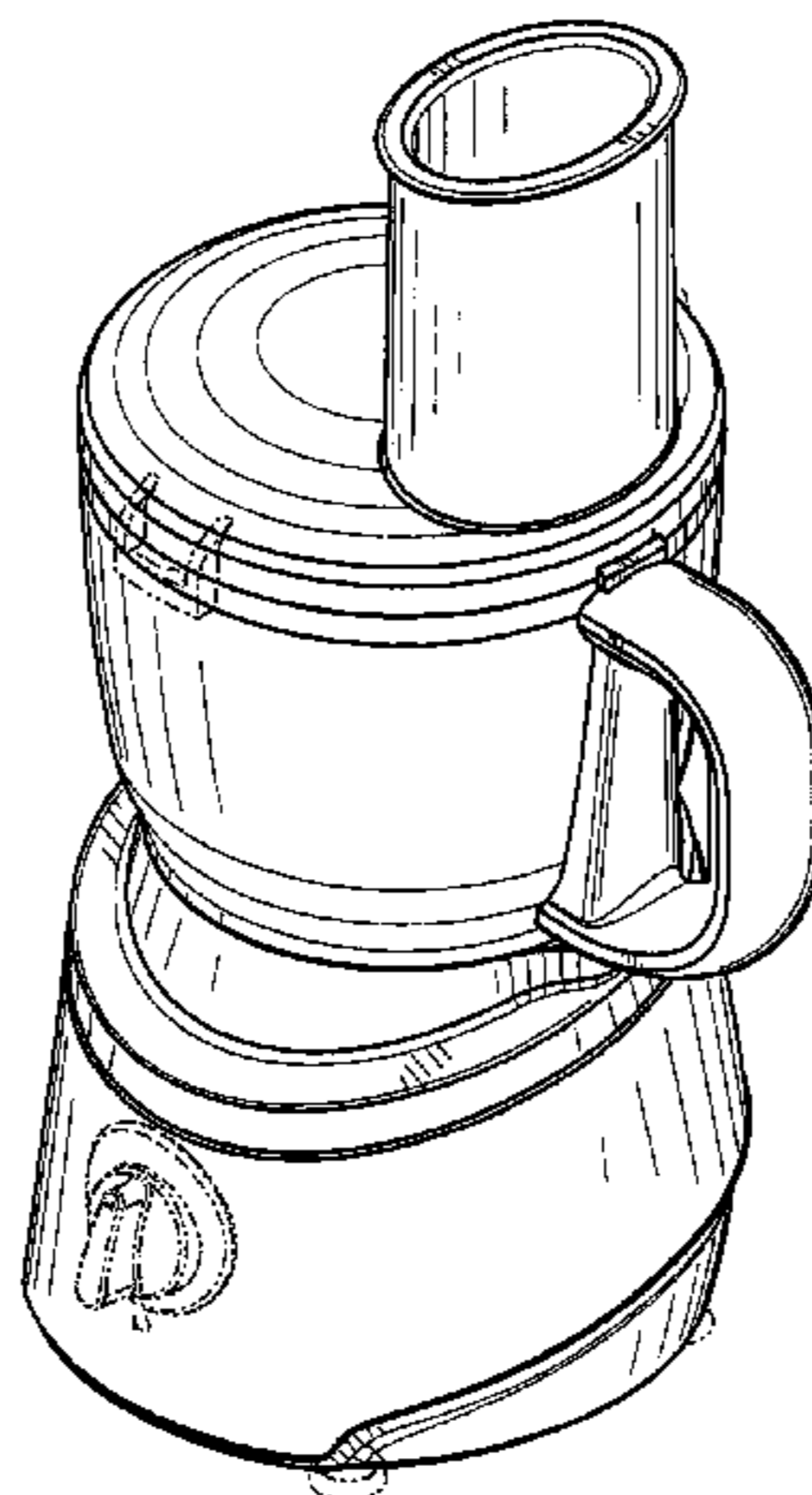
FIG. 5 is a right side elevation view thereof;

FIG. 6 is a top plan view thereof; and,

FIG. 7 is a bottom plan view thereof.

The broken lines shown in FIGS. 1-7 are for illustrative purposes only and form no part of the claimed design.

**1 Claim, 6 Drawing Sheets**





Operating Instructions for the Mr. Coffee Cocomotion Hot Chocolate Maker, pp. 1–16.

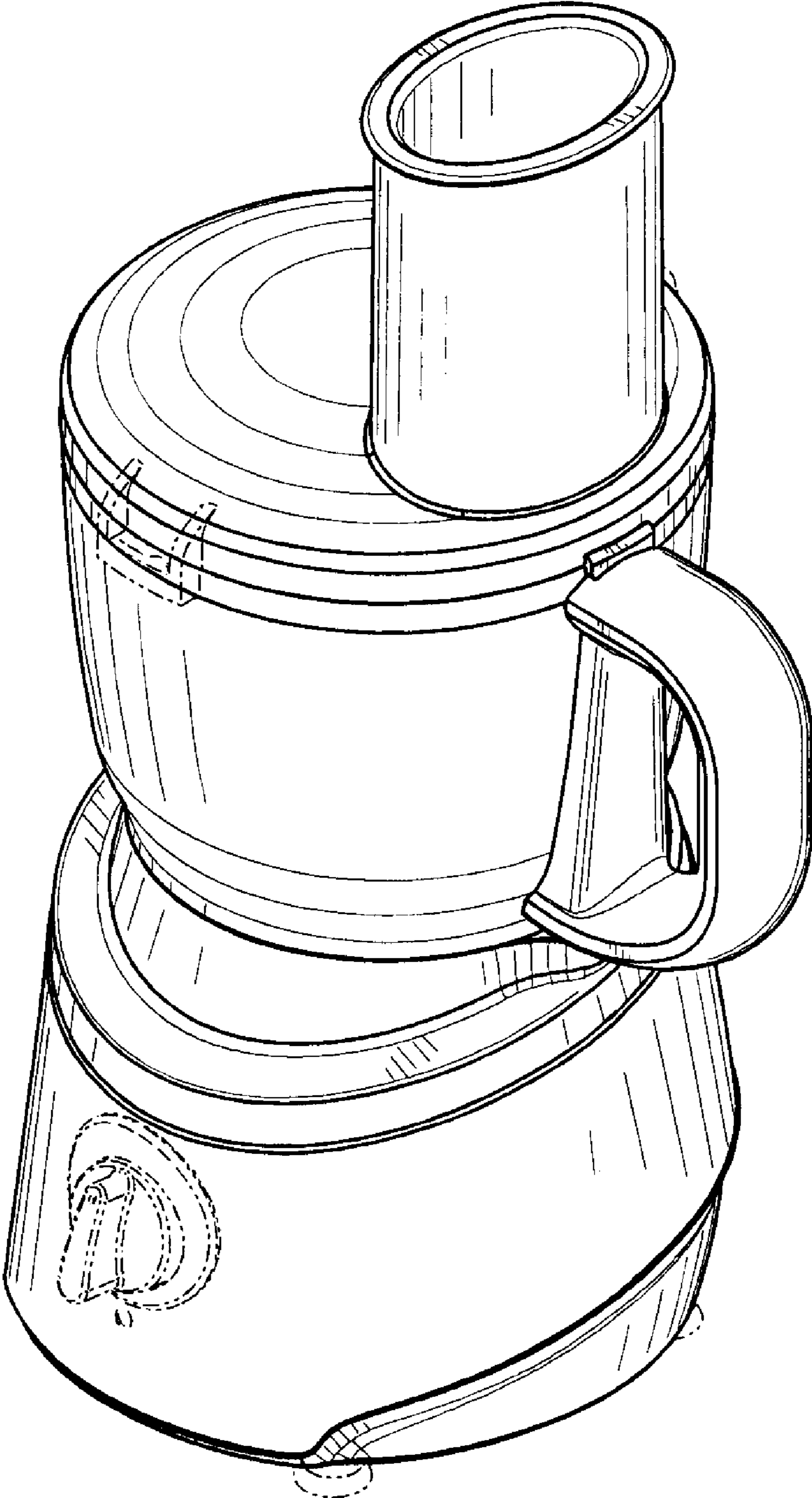
10 Crescent Lane Mar. 2001 Catalog, Jenn–Air Artrezi Blender.

Frontgate Outfitting America’s Finest Homes, Early Spring 2004 Catalog, Item #13861 Artrezi Blender.

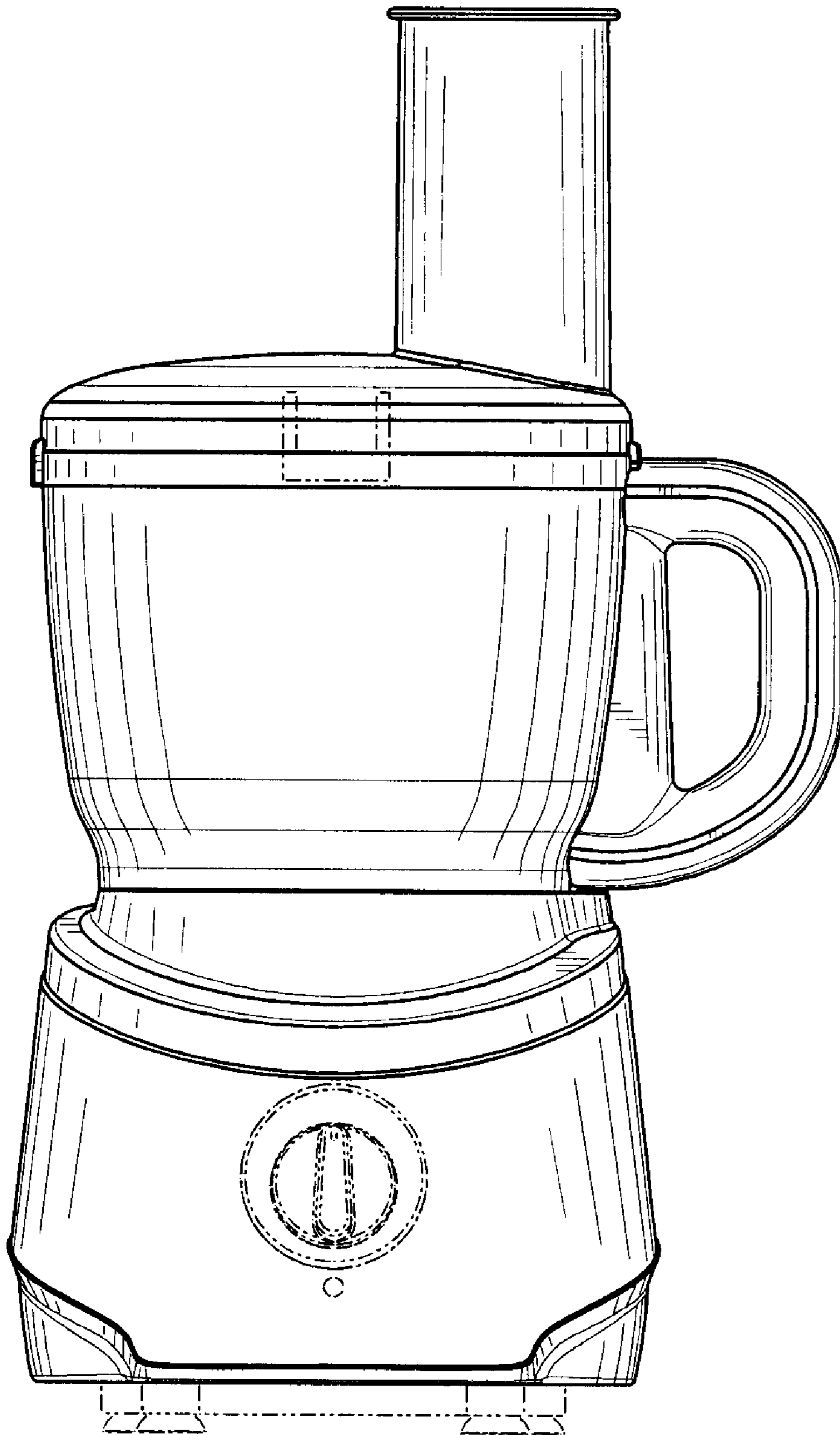
Frontgate outfitting America’s Finest Homes, Fall 2002 Catalog, T–Fal, Item #16513 Chrome 40 Oz. Blender.

Chef’s Professional Restaurant Equipment for the Home Chef Since 1979, Fall 2002, [chefscatalog.com](http://chefscatalog.com).

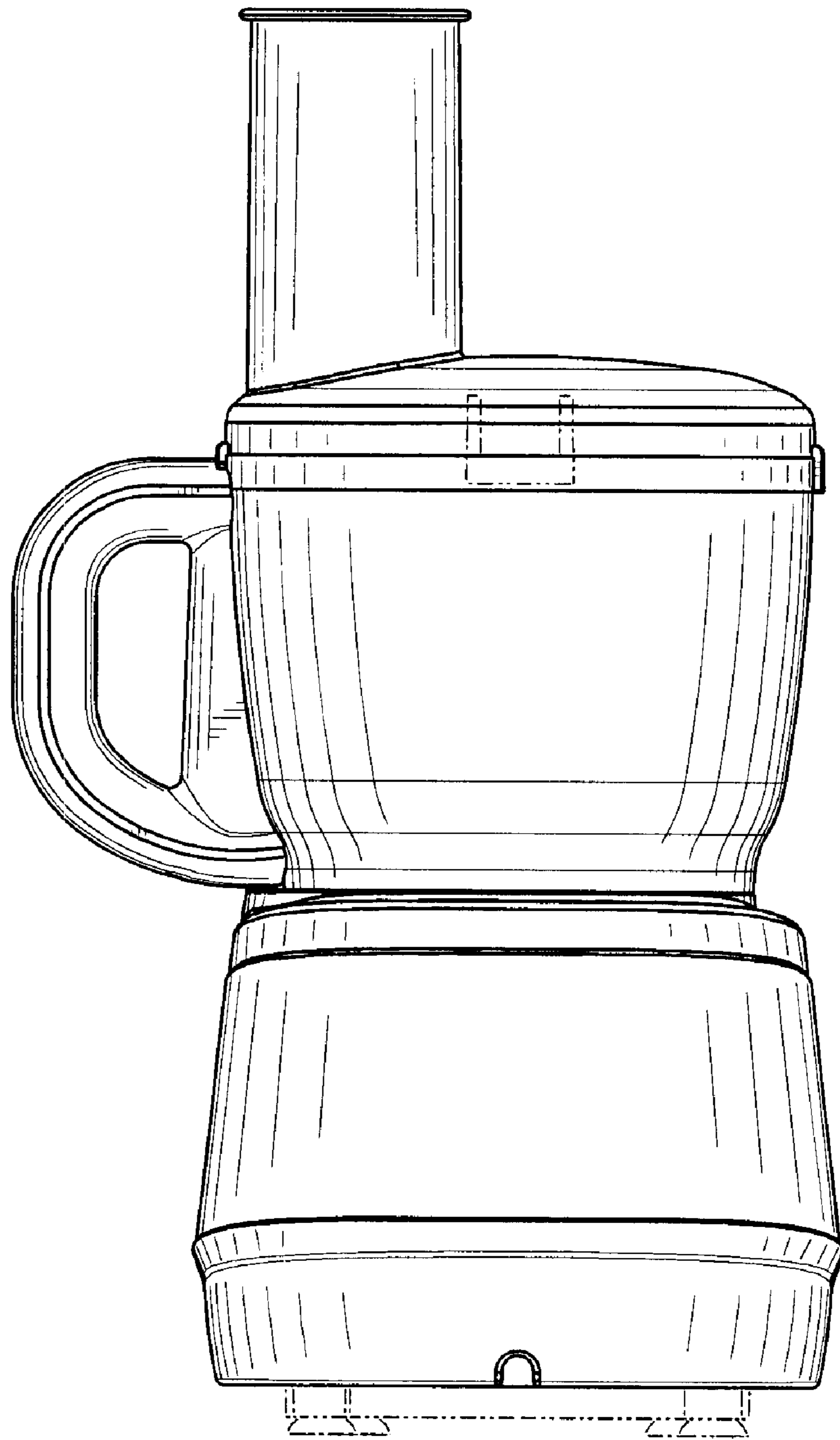
\* cited by examiner



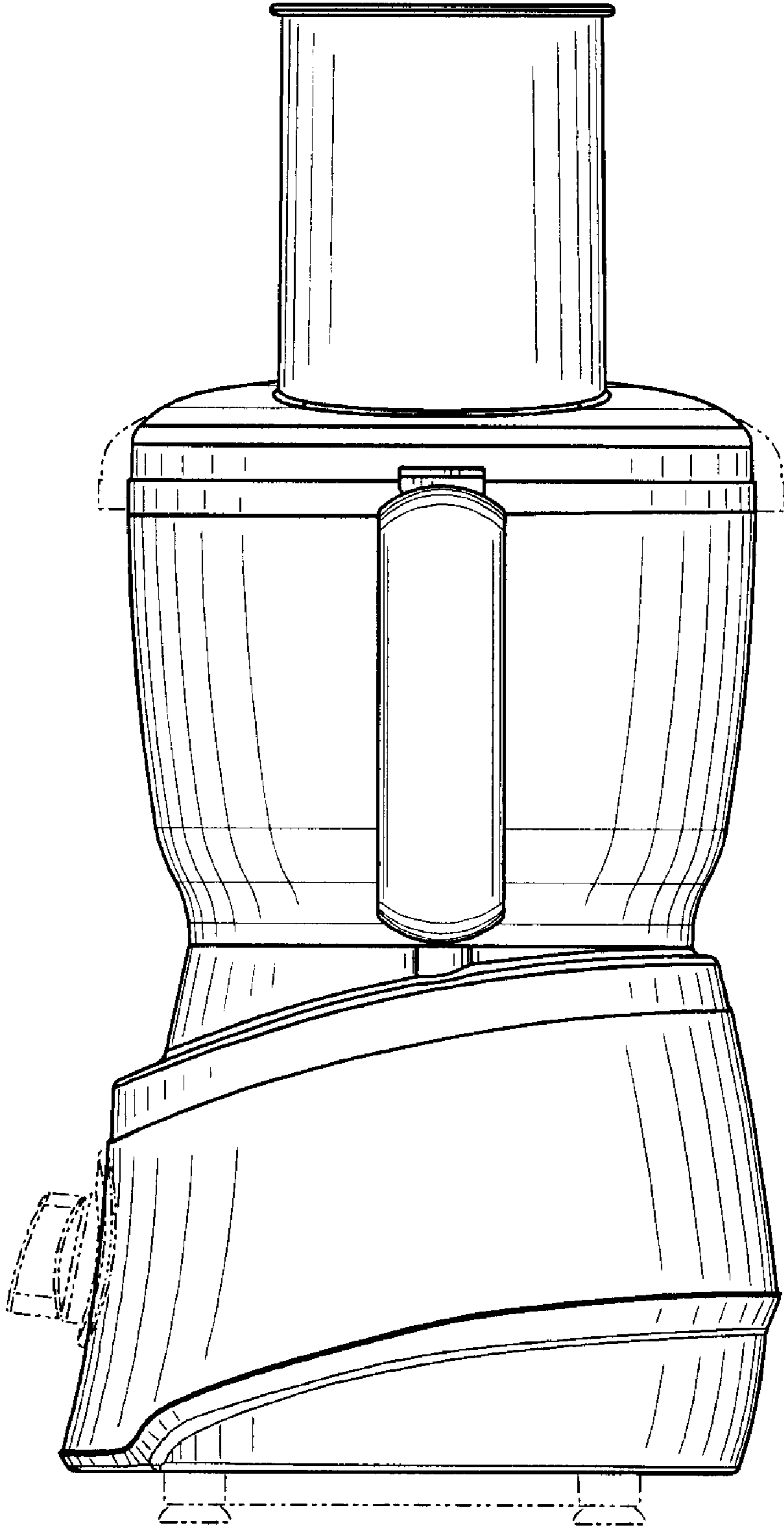
**FIG. 1**



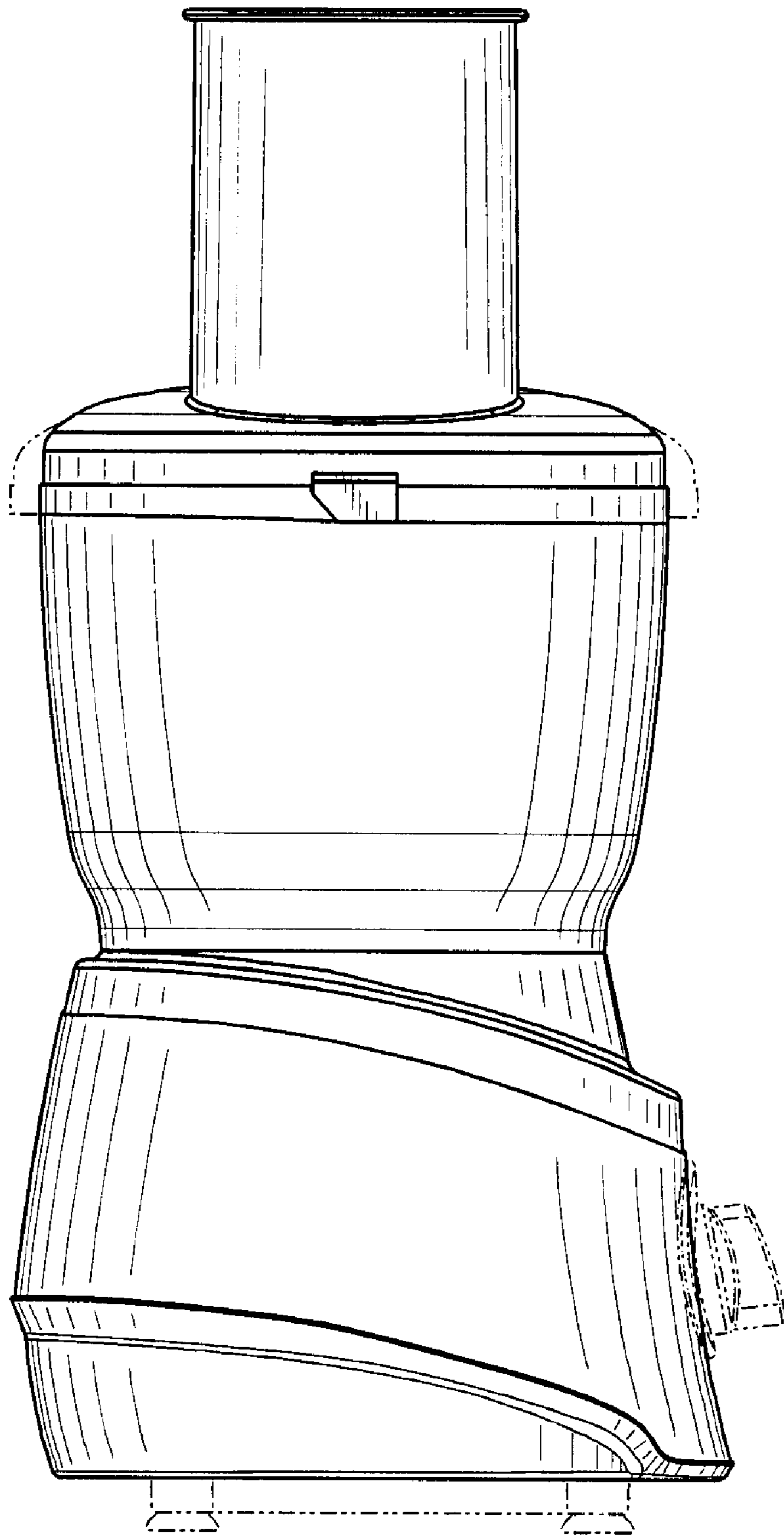
**FIG. 2**



**FIG. 3**

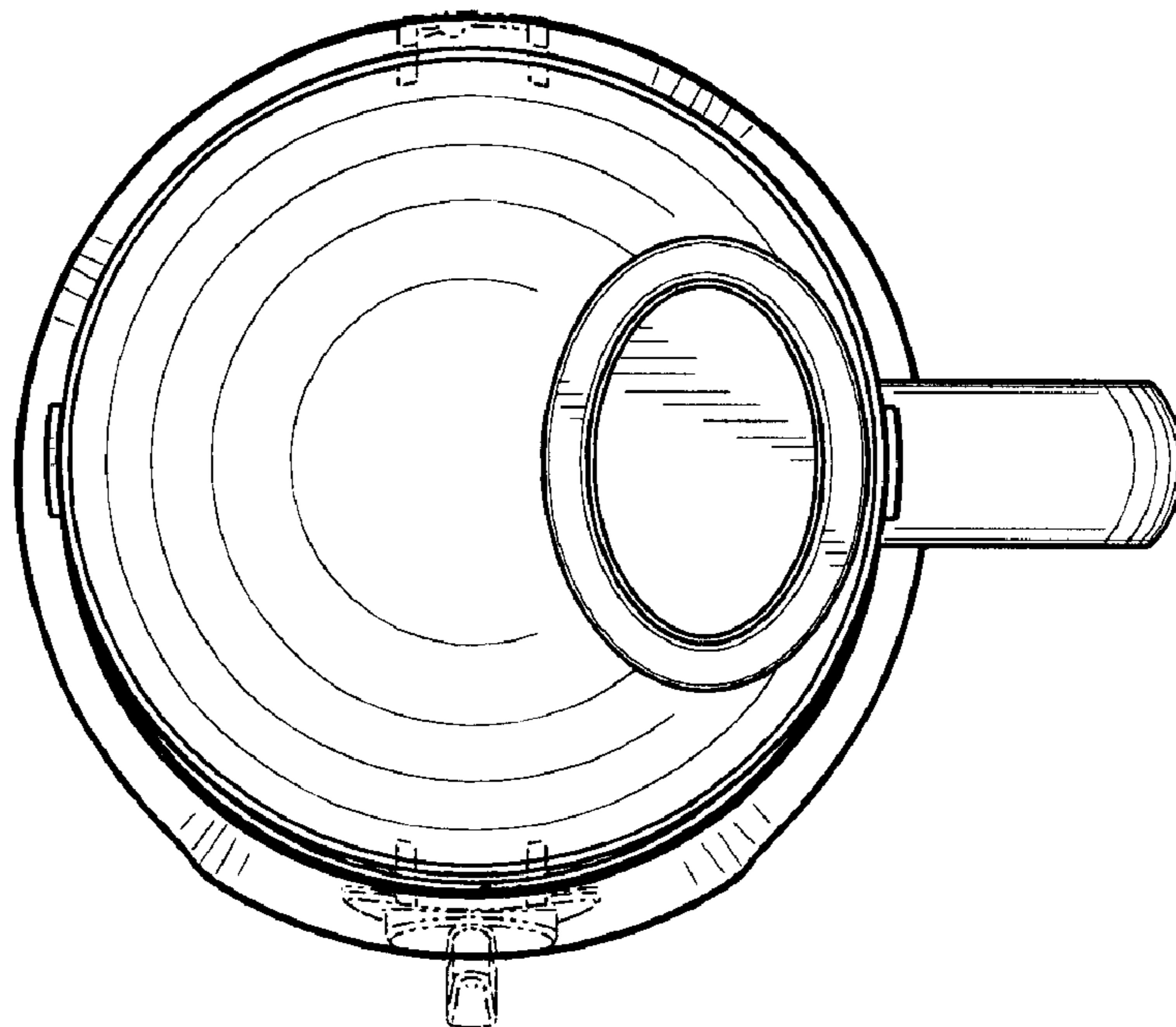


**FIG. 4**

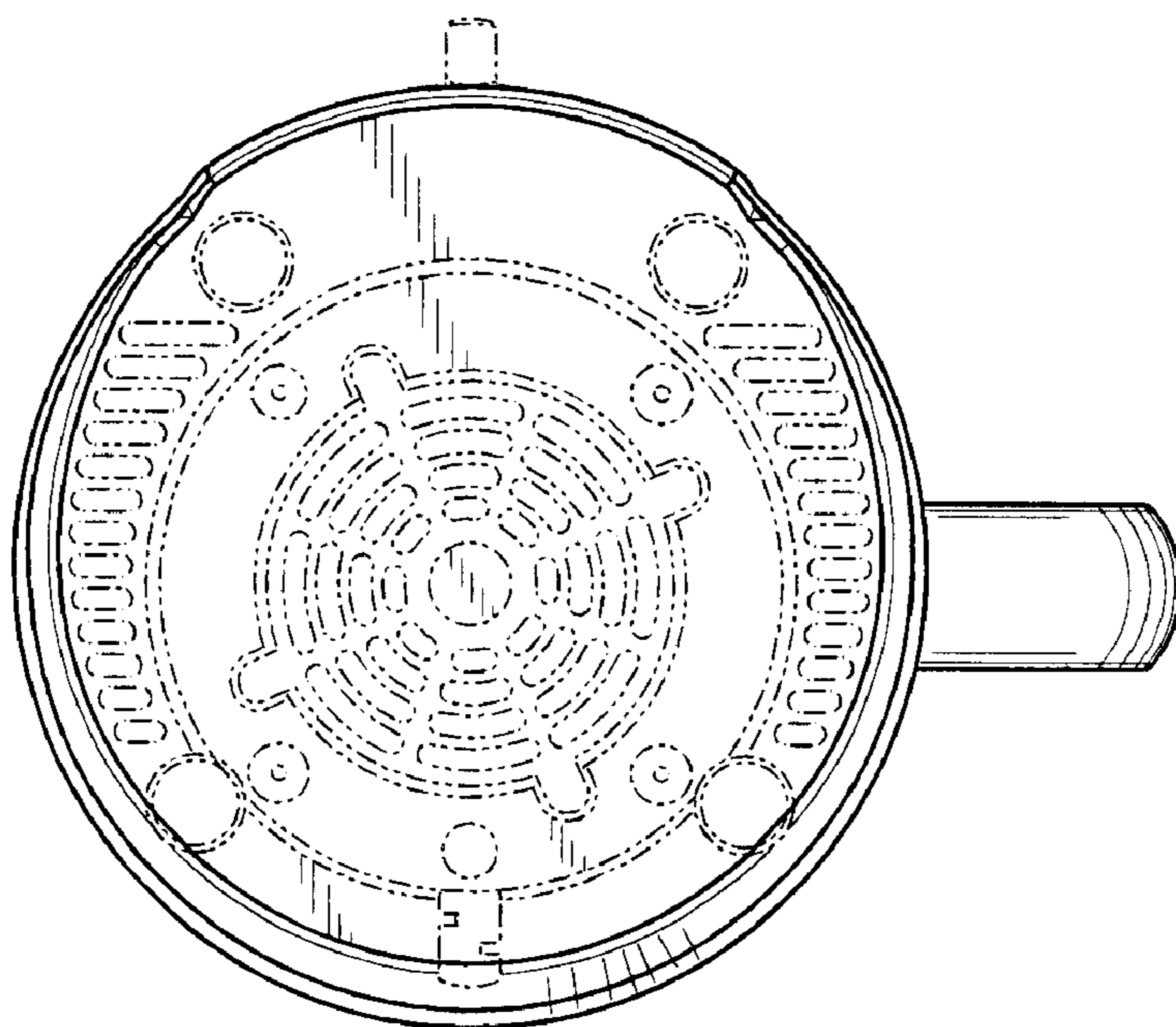


**FIG. 5**





**FIG. 6**



**FIG. 7**