

US00D547600S

(12) **United States Design Patent** (10) **Patent No.:** **US D547,600 S**
Chiang et al. (45) **Date of Patent:** **** Jul. 31, 2007**

(54) **VENT AND BASE PORTIONS OF A FRUIT RIPENING DISPLAY**

Primary Examiner—Terry A. Wallace
(74) *Attorney, Agent, or Firm*—Brent D. Sokol, Esq.

(75) Inventors: **Chia C. Chiang**, 418 N. La Jolla, Los Angeles, CA (US) 90048; **Blake McEldowney**, New York, NY (US); **Max Burton**, Portland, OR (US); **Brent D. Sokol**, 418 N. La Jolla, Los Angeles, CA (US) 90048

(57) **CLAIM**

The ornamental design for vent and base portions of a fruit ripening display, as shown and described.

(73) Assignees: **Brent D. Sokol**, Los Angeles, CA (US); **Chia C. Chiang**, Los Angeles, CA (US)

DESCRIPTION

(**) Term: **14 Years**

FIG. 1 is a perspective view of vent and base portions of a fruit ripening display.

(21) Appl. No.: **29/223,882**

FIG. 2 is a front view of the vent and base portions of FIG. 1.

(22) Filed: **Feb. 16, 2005**

FIG. 3 is a side view of the vent and base portions of FIG. 1. The opposite side of the vent and base portions is a mirror image of the side view shown in FIG. 3.

(30) **Foreign Application Priority Data**

Aug. 16, 2004 (WO) PCT/US04/26751

FIG. 4 is a top view of the vent and base portions of FIG. 1.

(51) **LOC (8) Cl.** **07-01**

FIG. 5 is a back view of the vent and base portions of FIG. 1.

(52) **U.S. Cl.** **D7/368**

FIG. 6 is a perspective view of vent and base portions of a fruit ripening display.

(58) **Field of Classification Search** D7/368, D7/387, 391–392.1, 412, 538–542, 629; D9/424–429, 434, 454; 99/467–482; 62/371, 62/372, 457.1–457.8; 220/780–805; 426/118, 426/106

FIG. 7 is a front view of the vent and base portions of FIG. 6.

See application file for complete search history.

FIG. 8 is a side view of the vent and base portions of FIG. 1. The opposite side of the vent and base portions is a mirror image of the side view shown in FIG. 8.

(56) **References Cited**

U.S. PATENT DOCUMENTS

1,126,258 A 1/1915 Myers

(Continued)

FIG. 9 is a top view of the vent and base portions of FIG. 6.

FOREIGN PATENT DOCUMENTS

CA 2113230 2/1999

(Continued)

FIG. 10 is a back view of the vent and base portions of FIG. 6.

OTHER PUBLICATIONS

Crisosto, Carlos, "Optimum Procedures for Ripening Stone Fruit," *Perishables Handling Newsletter*, Nov. 1994, all pages, Issue No. 80, U.S.A.

FIG. 11 is a perspective view of vent and base portions of a fruit ripening display.

FIG. 12 is a front view of the vent and base portions of FIG. 11.

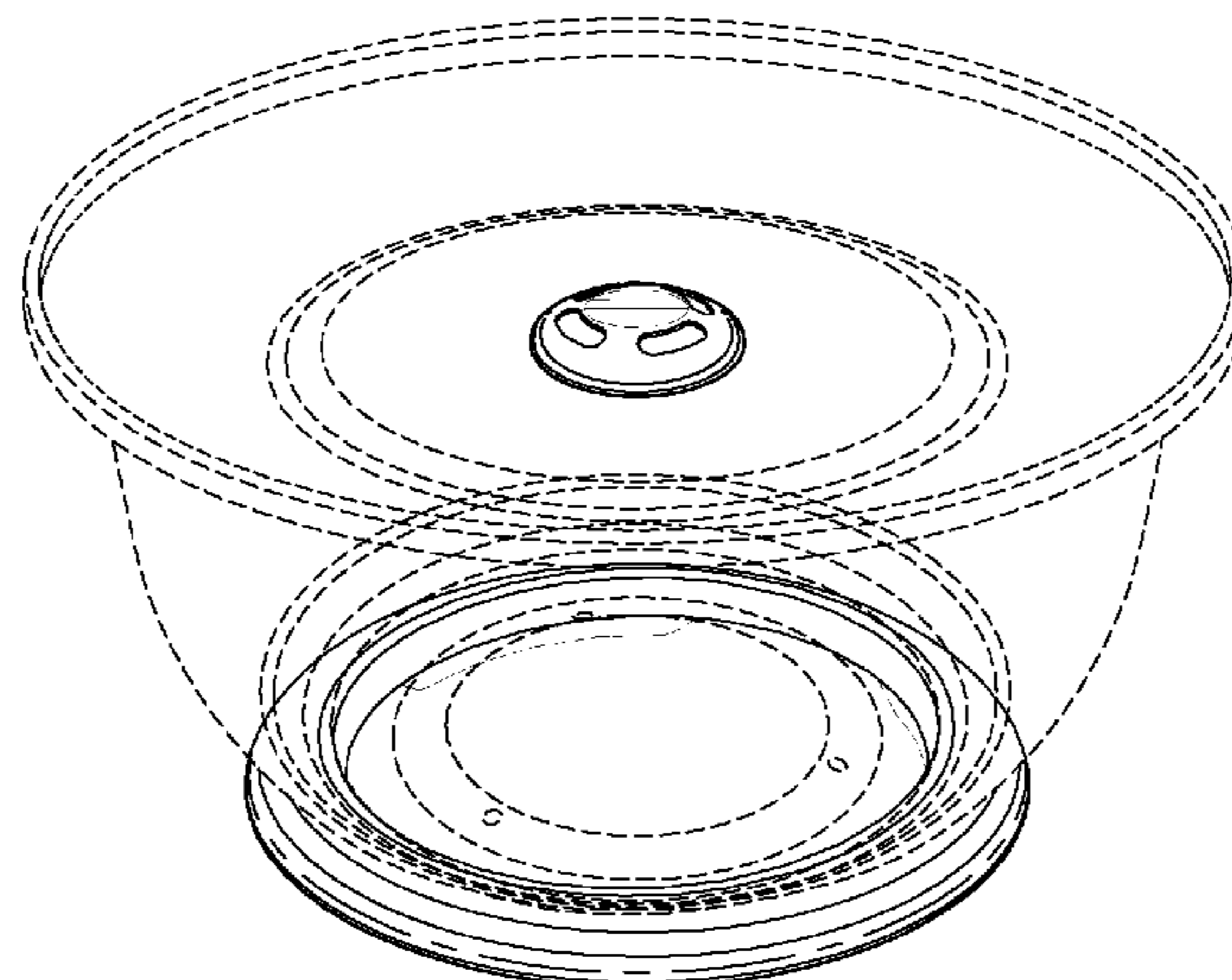
FIG. 13 is a side view of the vent and base portions of FIG. 11. The opposite side of the vent and base portions is a mirror image of the side view shown in FIG. 13.

FIG. 14 is a top view of the vent and base portions of FIG. 11; and,

FIG. 15 is a back view of the vent and base portions of FIG. 11.

(Continued)

1 Claim, 9 Drawing Sheets



U.S. PATENT DOCUMENTS

1,829,951 A 11/1931 Walsh
 1,985,670 A 12/1934 Sykes
 3,069,274 A 12/1962 Hyson et al.
 3,298,511 A 1/1967 Schertz
 3,480,197 A 11/1969 Massey
 3,578,464 A 5/1971 Mpelkas
 3,620,765 A 11/1971 McDonnell et al.
 3,924,010 A 12/1975 Erb
 D247,945 S * 5/1978 Saunders D7/539
 D252,312 S 7/1979 Ackeret
 D259,400 S 6/1981 Carroll et al.
 D273,652 S 5/1984 Lederman et al.
 D293,082 S 12/1987 Butler
 4,842,875 A 6/1989 Anderson
 4,886,372 A 12/1989 Greengrass et al.
 D305,618 S 1/1990 Blaser
 D312,555 S * 12/1990 Daenen et al. D7/540
 D322,186 S 12/1991 Rubbico
 5,121,877 A 6/1992 Bodary et al.
 D336,596 S * 6/1993 Osgood et al. D7/608
 5,254,354 A 10/1993 Stewart
 D346,552 S 5/1994 Krupa
 5,316,178 A 5/1994 Garber, Jr.
 5,345,784 A 9/1994 Bazemore et al.
 5,419,153 A 5/1995 Hartley
 5,427,808 A 6/1995 Adams
 D360,825 S 8/1995 Knoss et al.
 5,438,917 A 8/1995 Bolkestein et al.
 5,475,926 A 12/1995 Bolkestein et al.
 D379,300 S 5/1997 Krupa et al.
 D380,381 S 7/1997 Krupa et al.
 5,658,607 A 8/1997 Herdeman
 5,661,979 A 9/1997 DeBoer
 5,667,827 A 9/1997 Breen et al.
 5,711,978 A 1/1998 Breen et al.
 5,758,794 A * 6/1998 Rider et al. 220/786
 D396,408 S 7/1998 Carver
 D398,448 S 9/1998 Zanni
 5,829,602 A 11/1998 St. John Danko
 5,916,614 A 6/1999 Gorlich
 6,013,293 A 1/2000 De Moor
 D442,031 S 5/2001 Perez
 D442,834 S 5/2001 Perez
 6,376,032 B1 4/2002 Clarke et al.
 6,527,121 B1 3/2003 Flynn
 D475,621 S * 6/2003 Buchalski et al. D9/428
 D475,897 S * 6/2003 Zettle et al. D7/629
 D476,506 S 7/2003 Sneider
 D487,698 S 3/2004 Rasmussen
 D494,062 S * 8/2004 Willis D9/428
 2005/0056158 A1 3/2005 Chiang et al.

FOREIGN PATENT DOCUMENTS

DE 2259561 A 6/1974
 DE 3219079 A1 11/1983
 EP 0282180 A2 9/1988
 EP 0417947 A1 3/1991
 EP 0162674 A2 5/1994
 EP 0438210 B1 11/1995
 EP 1092649 A1 4/2000
 ES 2008626 A6 7/1987
 FR 2242872 A5 3/1975
 GB 2215173 A 9/1989
 GB 2223656 A 4/1990
 JP 6484871 A 3/1989
 JP 6485064 A 3/1989
 JP 1146677 A 2/1999
 JP 12300174 A 10/2000
 WO 99446715 A1 9/1999

OTHER PUBLICATIONS

Kitinoja, Lisa et al., "Ripening," UC Davis Postharvest Horticulture Series No. 8, Mar. 1995, entire document and last page with ripening bowl, University of California—Davis, Postharvest Technology Research and Information Center, Davis, California, U.S.A.
 Kitinoja, Lisa, et al., "Small-scale Postharvest Handling Practices—A Manual for Horticultural Crops—3rd Ed.," Postharvest Horticulture Series No. 8—Mar. 1995, entire page—excerpt from Section 9 on Ripening, University of California—Davis, Postharvest Technology Research and Information Center, Davis, CA, U.S.A.
 Produce Marketing Association, "Ethylene Gas," AboutProduce.com FAQ, © 2000 (copyright before effective date), all pages, <http://www.aboutproduce.com/faq/ethylene.html>, U.S.A.
 Kader, Adel, et al., "Storing Fresh Fruits and Vegetables for Better Taste," Poster and Text published by Postharvest Technology Research and Information Center, Department of Pomology, University of California, Davis, Jan. 10, 2000, entire page and Countertop Storage section, Davis, California, U.S.A.
 Brody, Aaron J., "Smart Packaging Becomes Itellipa™," Food Technology, Jun. 2000, vol. 54, No. 6, p. 104 107, U.S.A.
 RETROMODERN.COM, "Lobo Fruit Bowl/Bread Basket design year 1977," <http://www.retromodern.com>, © 2000-2001 (copyright before effective date), all, U.S.A.
 CATALOGCITY.COM, "Kitchen Basket—Banana Tree," <http://amos.catalogcity.com/cc?main=catalog&pcd=4328503&prd=6291163&ccsyn=22>, Jan. 22, 2003, all, U.S.A.
 CATALOGCITY.COM, "Ripen-Right Fruit Bowl," [www.http://amos.catalogcity.com/cc.class/cc?main=catalog&pcd=4989142&prd=7194690&ccsyn=22](http://amos.catalogcity.com/cc.class/cc?main=catalog&pcd=4989142&prd=7194690&ccsyn=22), Jan. 22, 2003, all, U.S.A.
 TABLETOOLS.COM, "Filio Fruit Tray, by Mono Table Top," http://www.tabletools.com/tabletools/showdetl.cfm?&DID=G&user_ID=2327780&st=5803, Feb. 2, 2003, all, U.S.A.
 DESIGNSTORE.COM, "Rosendahl stainless steel fruit dish," <http://www.designstore.com/rosstainsteel.html>, Feb. 2, 2003, all, U.S.A.
 SURPRISE.COM, "Fruit Ripening Bowl," http://surprise.com/food/foodie/fruit_ripening-bowl.cfm, Feb. 2, 2003, all, U.S.A.
 STARTSAMPLING.COM, "Hammacher Ripening Bowl," <http://www.startsampling.com/SIPProduct.iphhtml?name=Ripening%20Bowl>, Feb. 3, 2003, all, U.S.A.
 CATALOGCITY.COM, "Spathe Bowl," <http://r2.us.rmi.yahoo.com/rmi/http://amos.catalogcity.com/cc.class/cc/rmivars?target=top?main=catalog&pcd=2921396&ccsyn>, Feb. 4, 2003, all, U.S.A.
 CATALOGCITY.COM, "Fruit Bowl—Natural Wood," <http://r2.us.rmi.yahoo.com/rmi/http://amos.catalogcity.com/cc.class/cc/rmivars?target>, Feb. 4, 2003, all, U.S.A.
 Techno Scout, "Fruit Saver Advertisement," Parade Magazine, Feb. 9, 2003, Parade Publications, N.Y., U.S.A.
 First Capital Craft Mall & Family Ties, "Banana Hanger," <http://imagineifyouwill.site.yahoo.net/bananahanger.html>, Feb. 11, 2003, all, U.S.A.
 TABLETOOLS.COM, "Top Serve Container," http://www.tabletools.com/tabletools.showdetl.cfm?&DID=G&Product_ID=2940&CATID, Feb. 11, 2003, all, U.S.A.
 TARGET.COM, "Arthur Court Kitchen Banana & Fruit Bowl," http://www.target.com/gp/detail.html/sr=1-1/qid=1044982115/ref=sr_1_1/601-9410451_73..., Feb. 11, 2003, all, U.S.A.
 EBAY.COM, 70's "Space Age Terrarium Fruit Ripener," <http://cgi.ebay.com/wseBayISAA.d117ViewItem&item=2306242466&Category=367>, Feb. 12, 2003, all, U.S.A.
 KITCHENCLASSICS.COM, "The Ingenious Kitchen Tool"—Koller-Craft Fruit Ripener, <http://kitchen-classics.com/fruitripen.html>, Feb. 12, 2003, all, U.S.A.
 Koller-Craft Plastic Products, "How It Works," Product Insert for Koller-Craft Fruit Ripener, Feb. 12, 2003 or earlier, Koller-Craft Plastic Products, Fenton, MO, U.S.A.
 Stedelijk Museum, "Gij's Bakker Flow (Fruit Bowl) 2000-2002," Stedelijk Museum Bulletin, Apr. 2003, p. 37, photo, Netherlands.

* cited by examiner

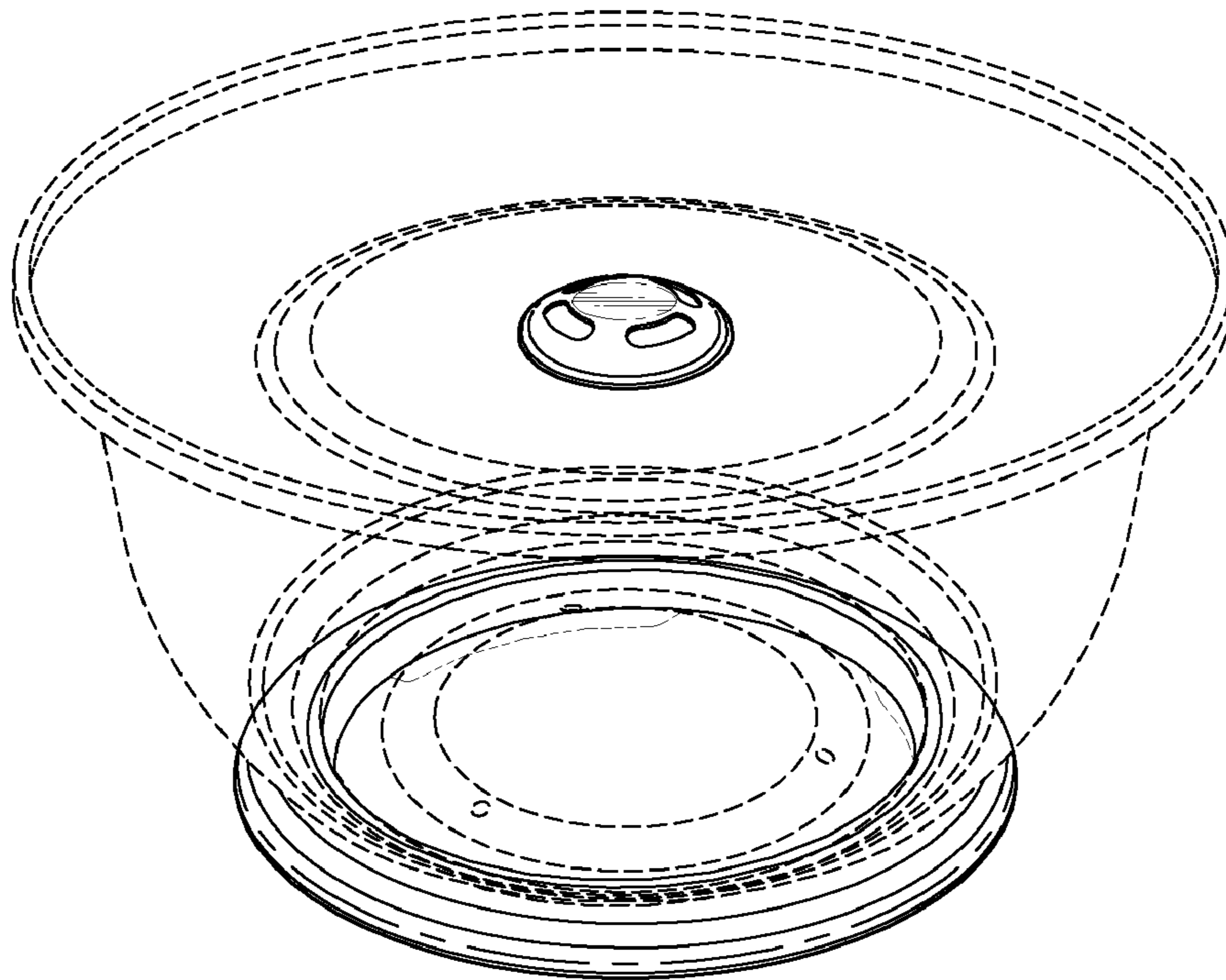


FIG. 1

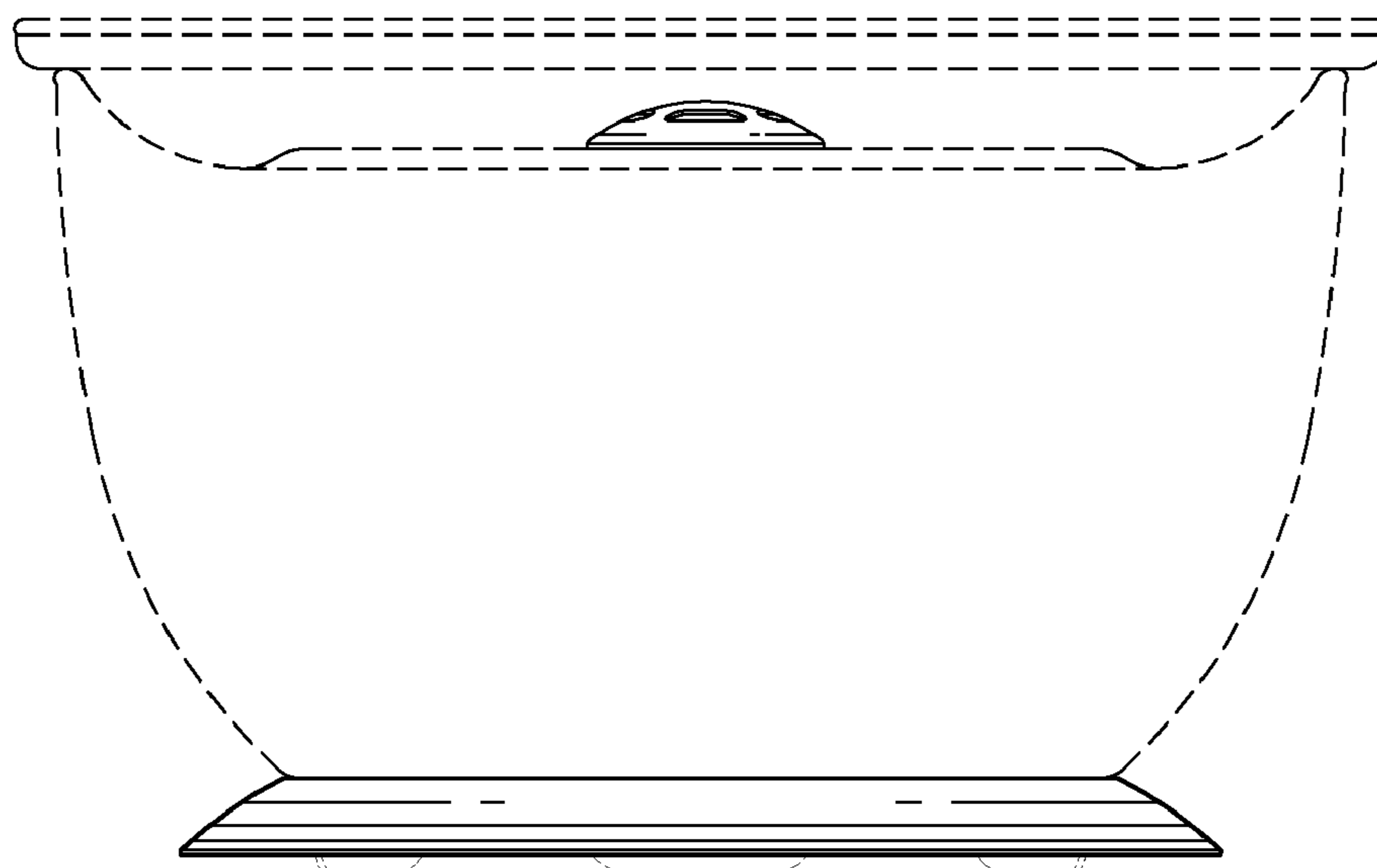


FIG. 2

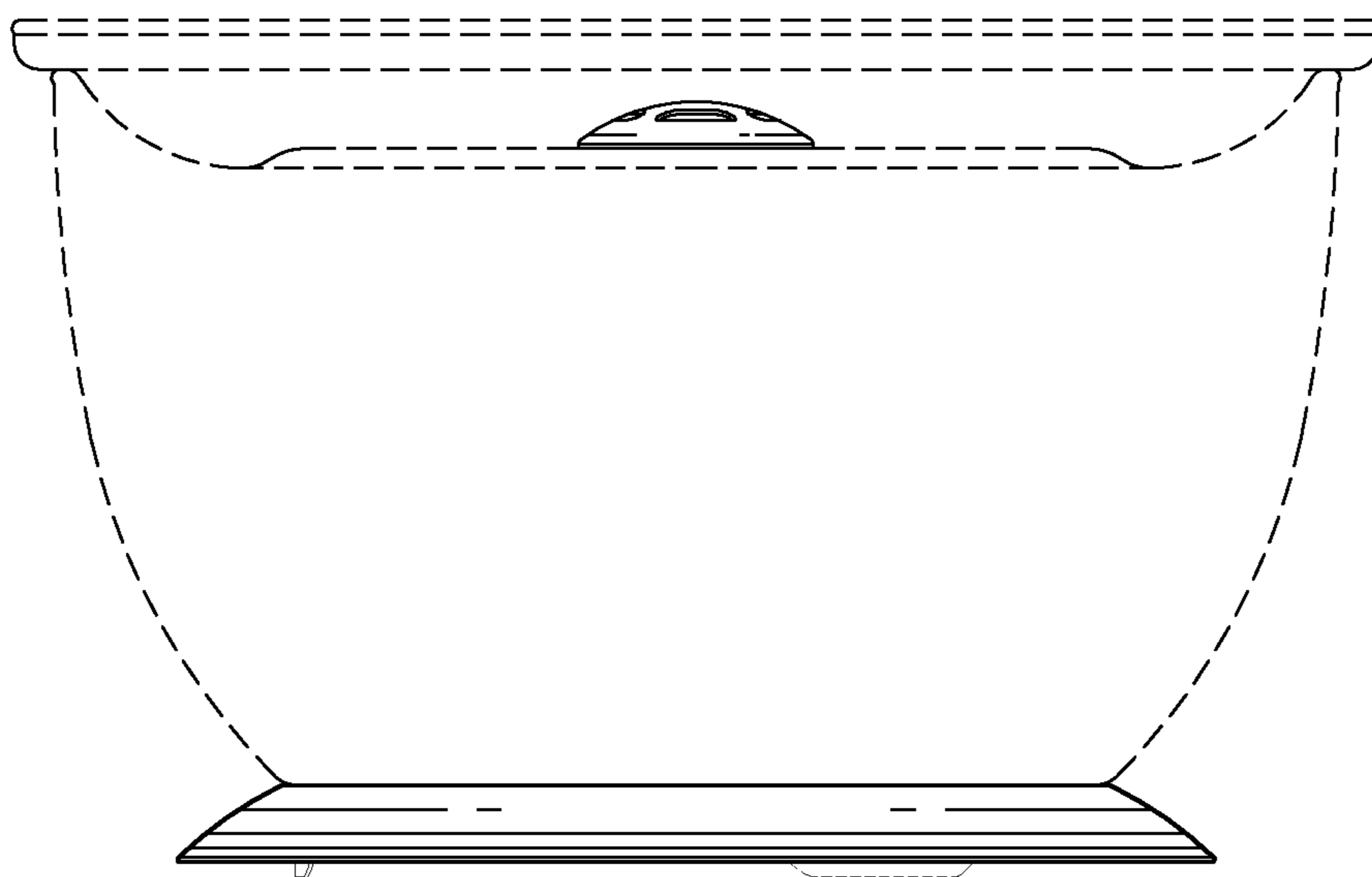


FIG. 3

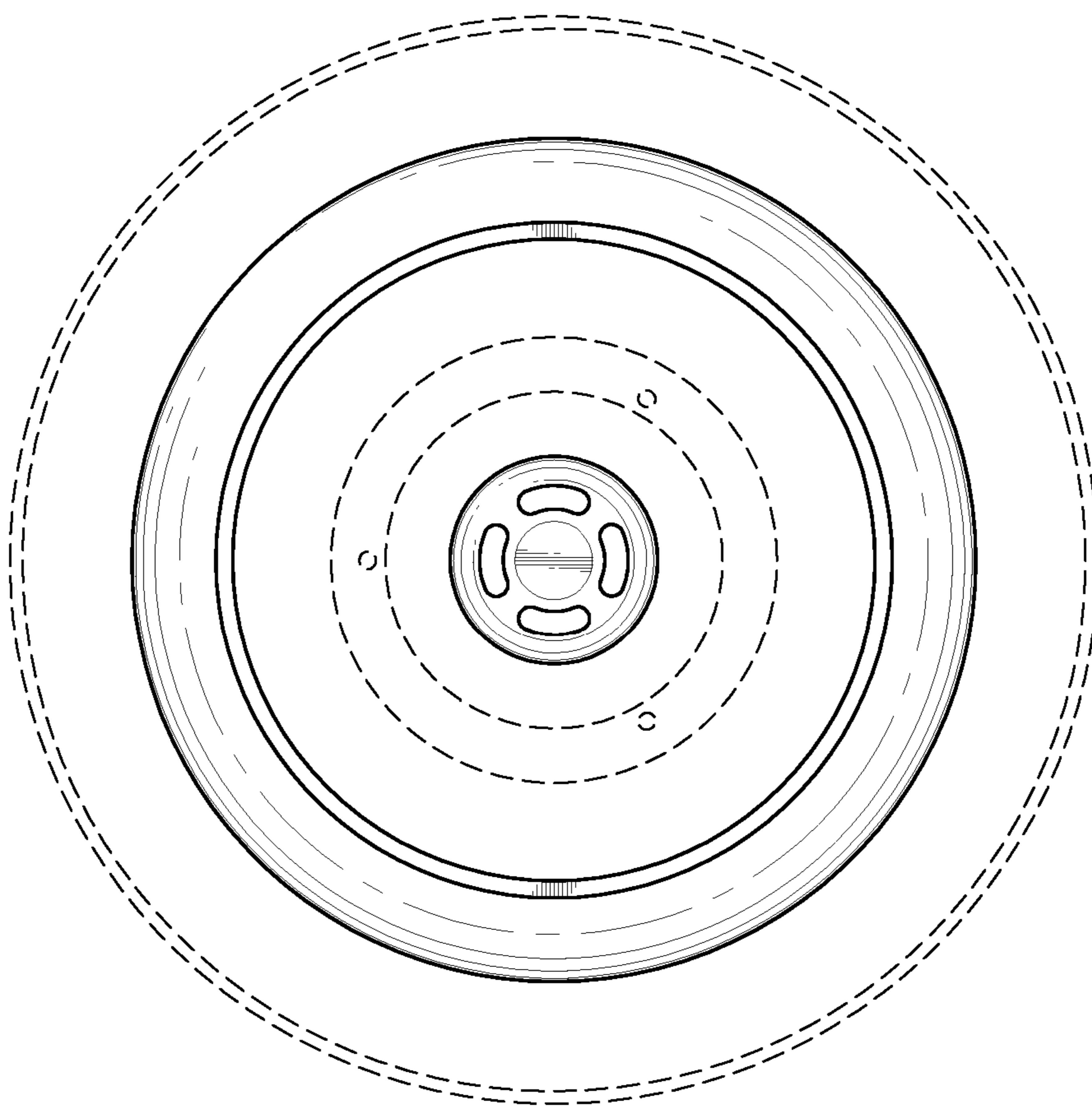


FIG. 4

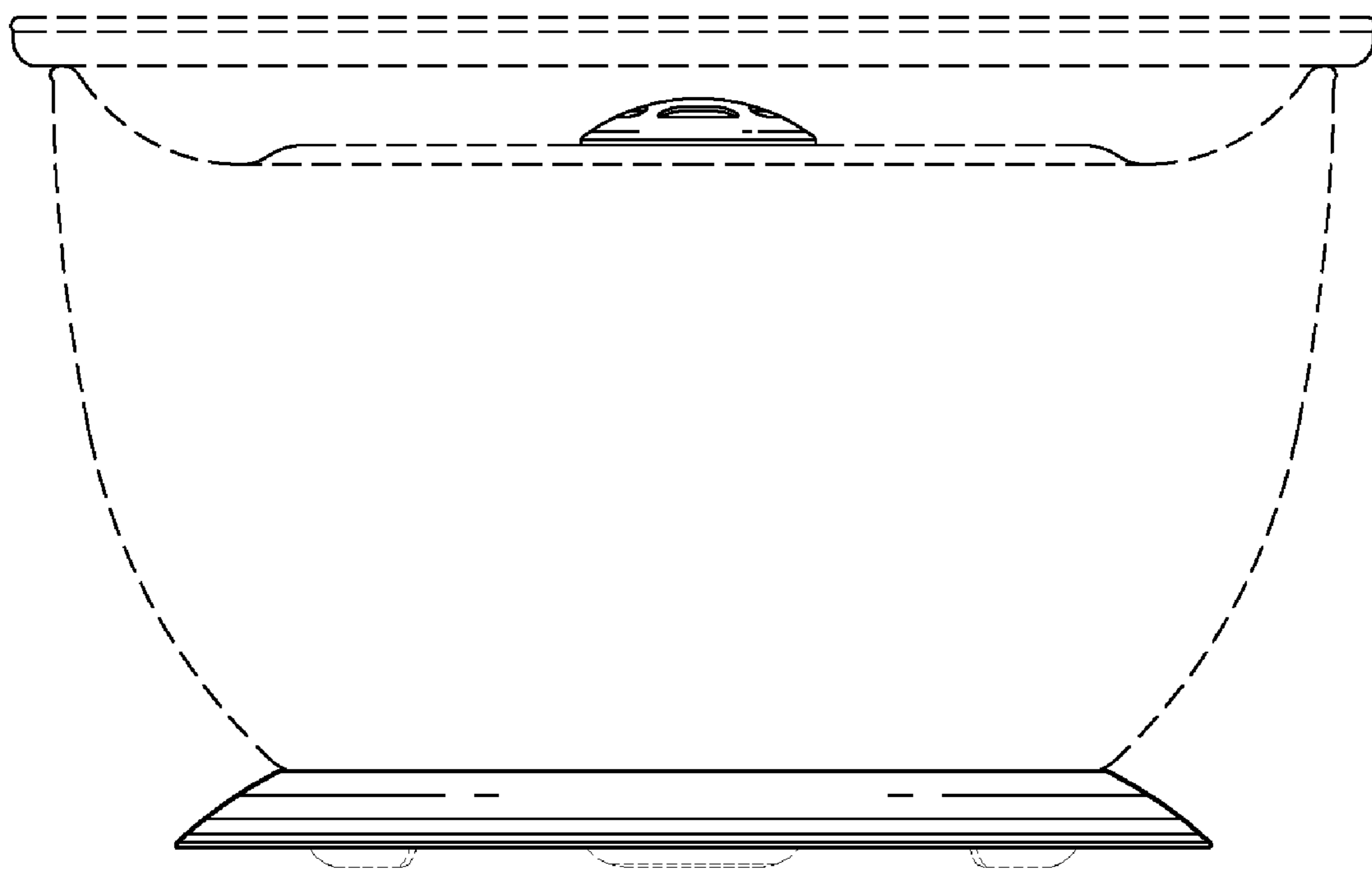


FIG. 5

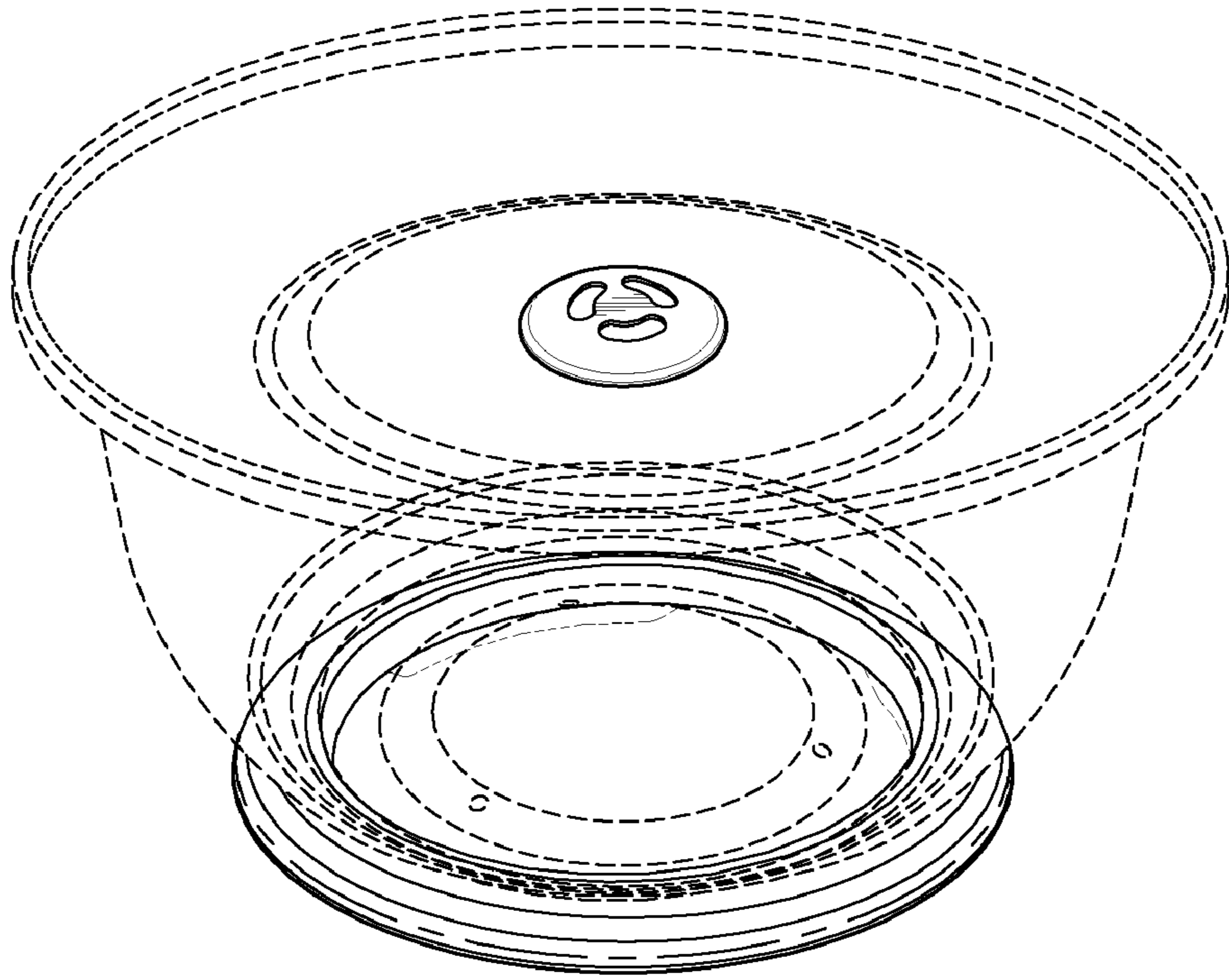


FIG. 6

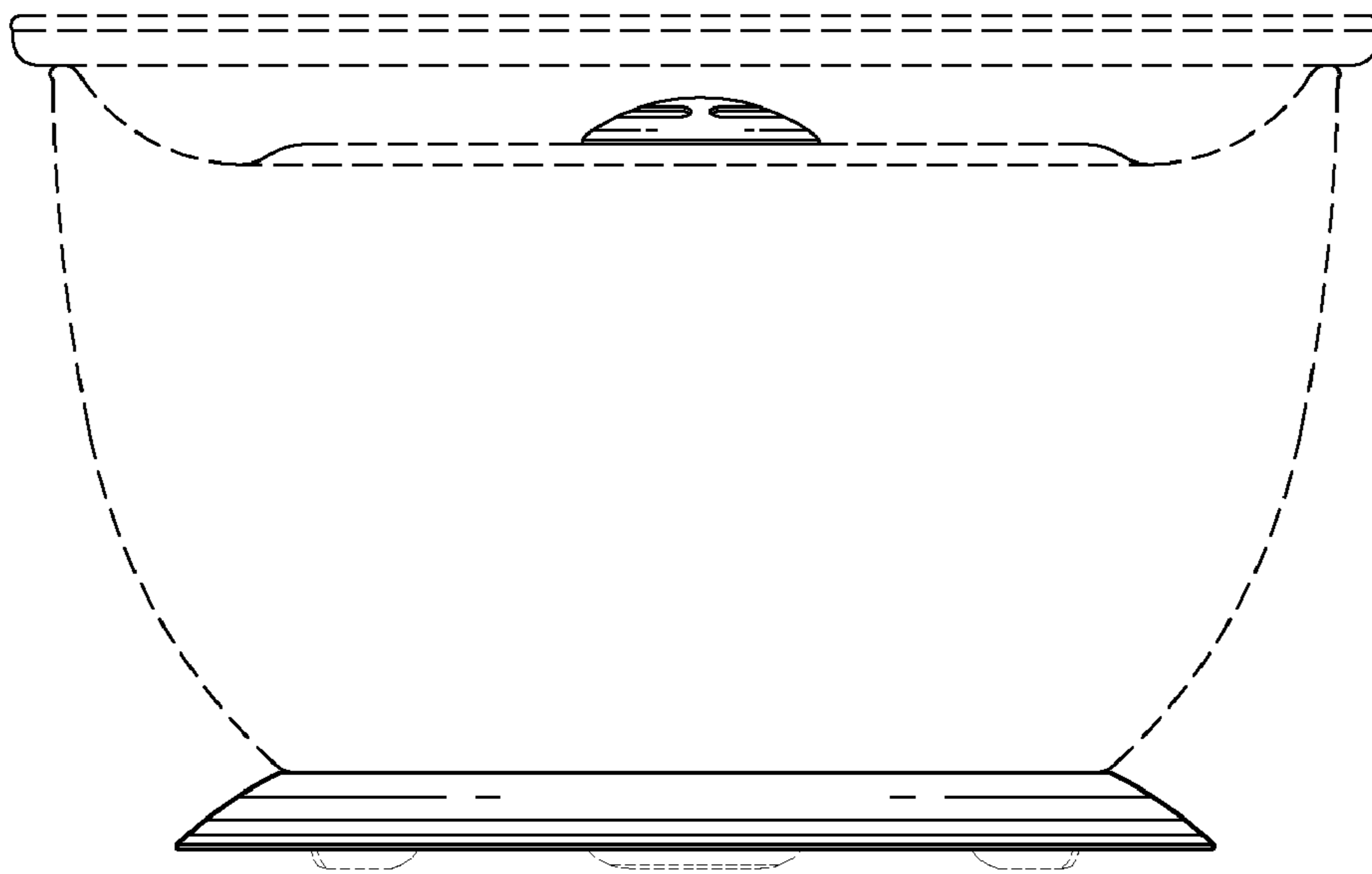


FIG. 7

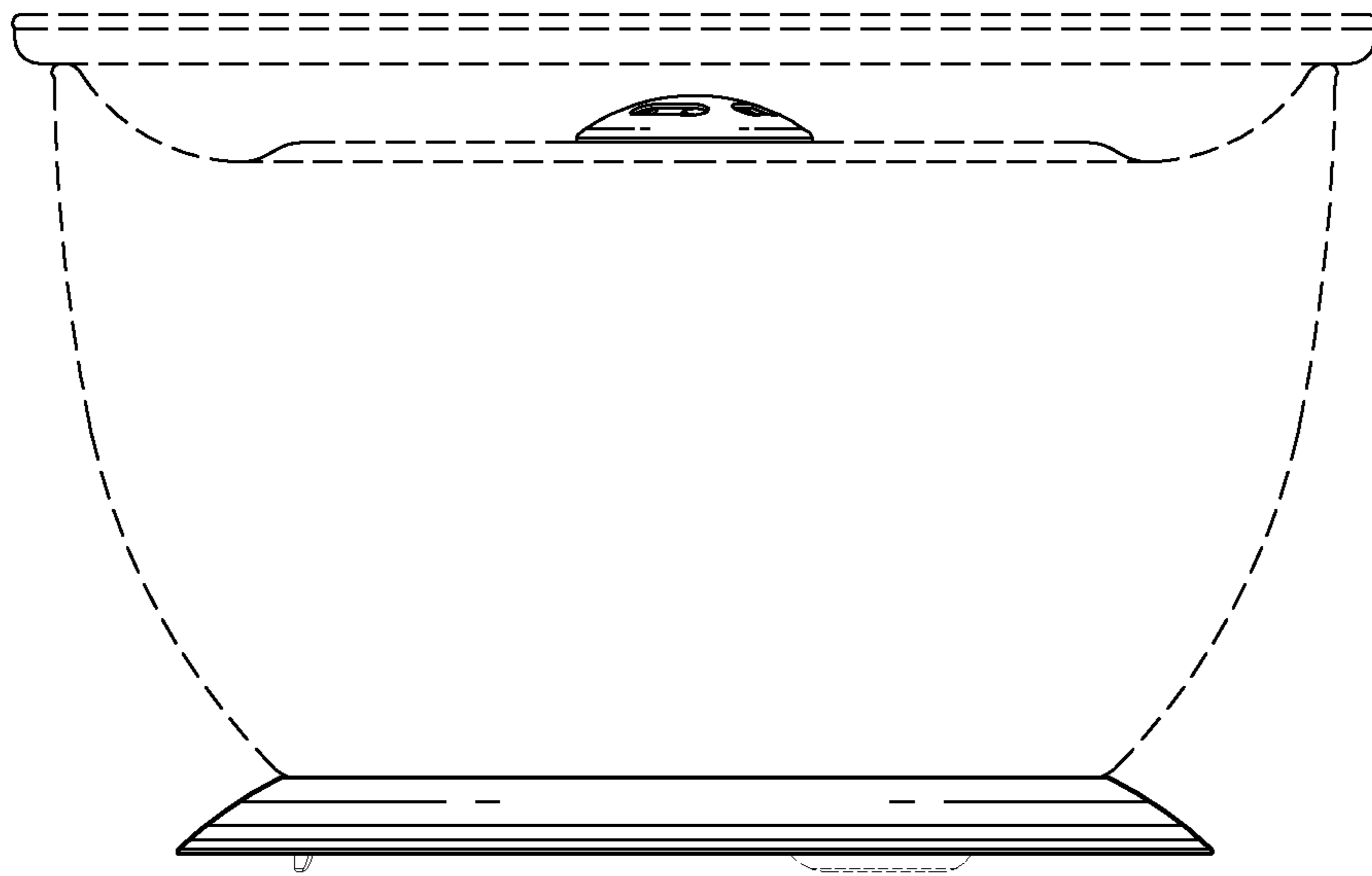


FIG. 8

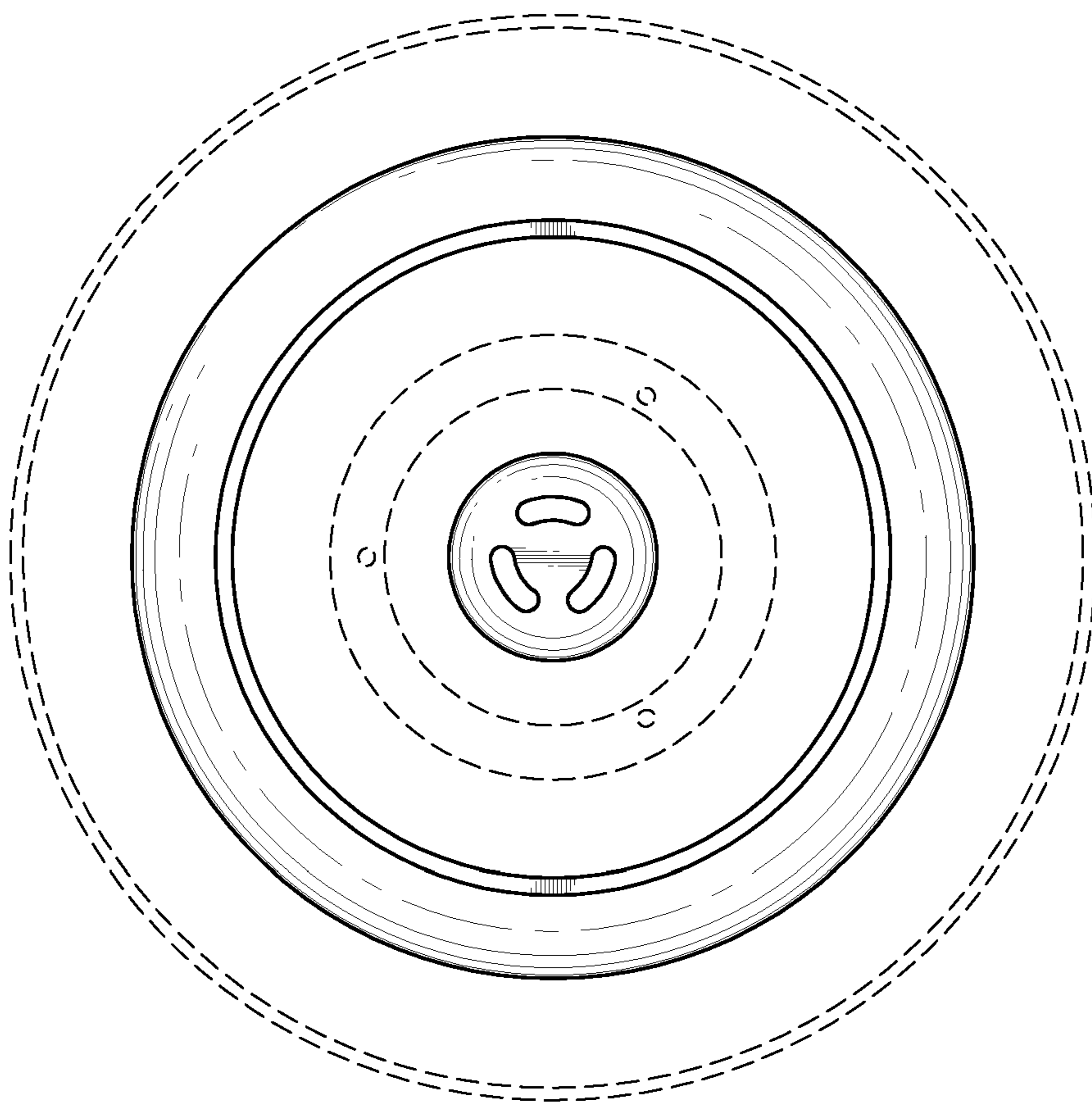


FIG. 9

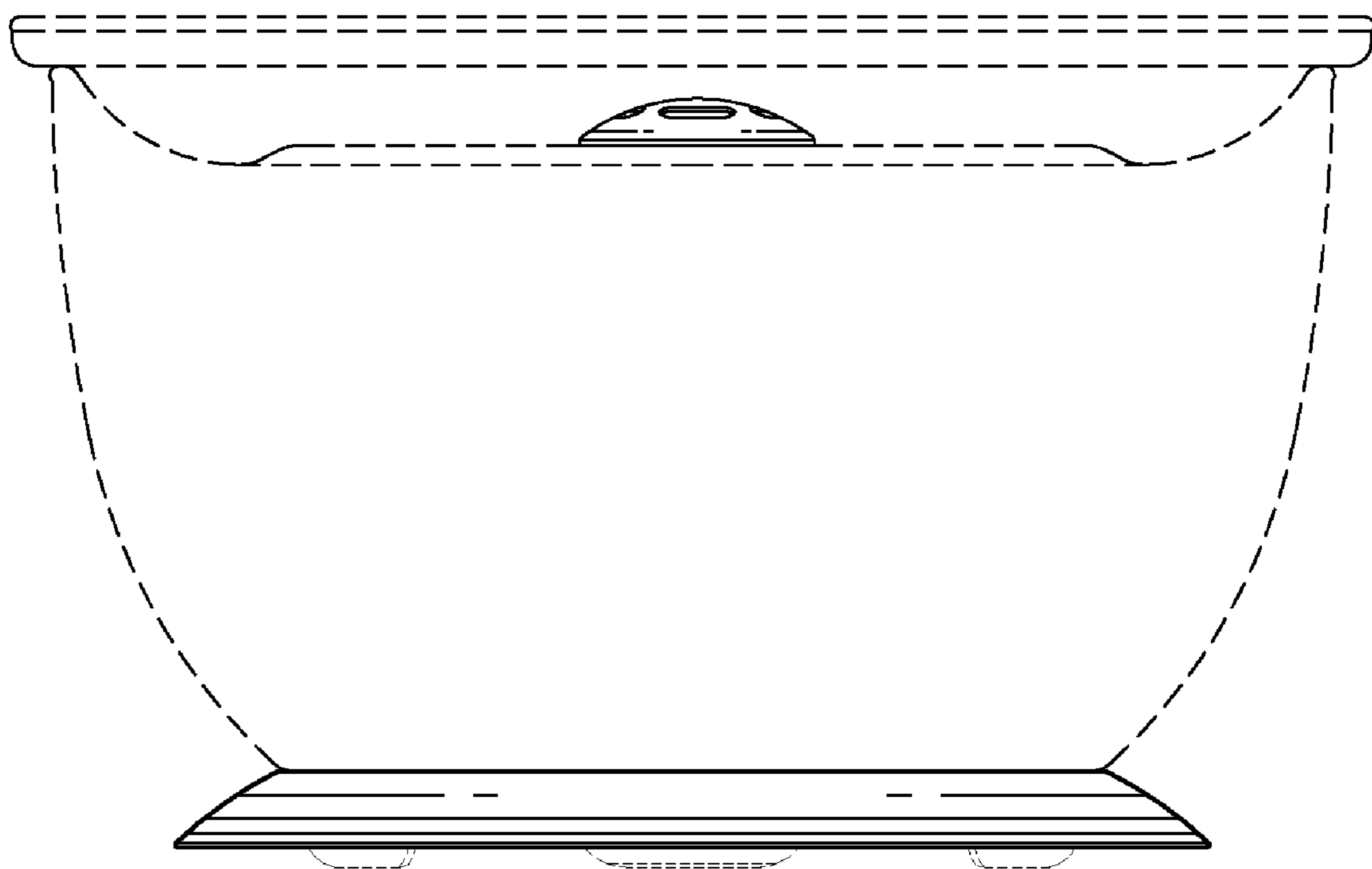


FIG. 10

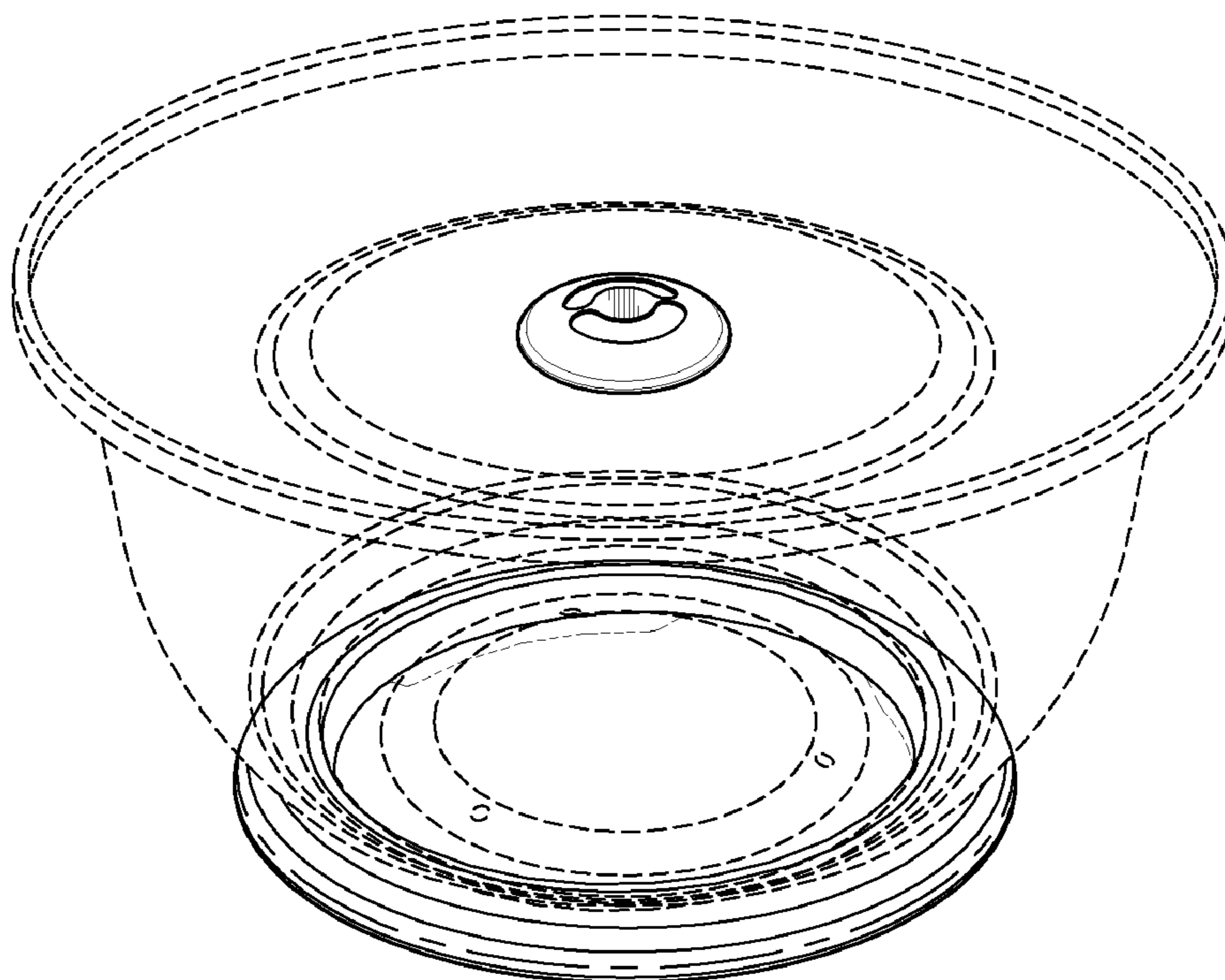


FIG. 11

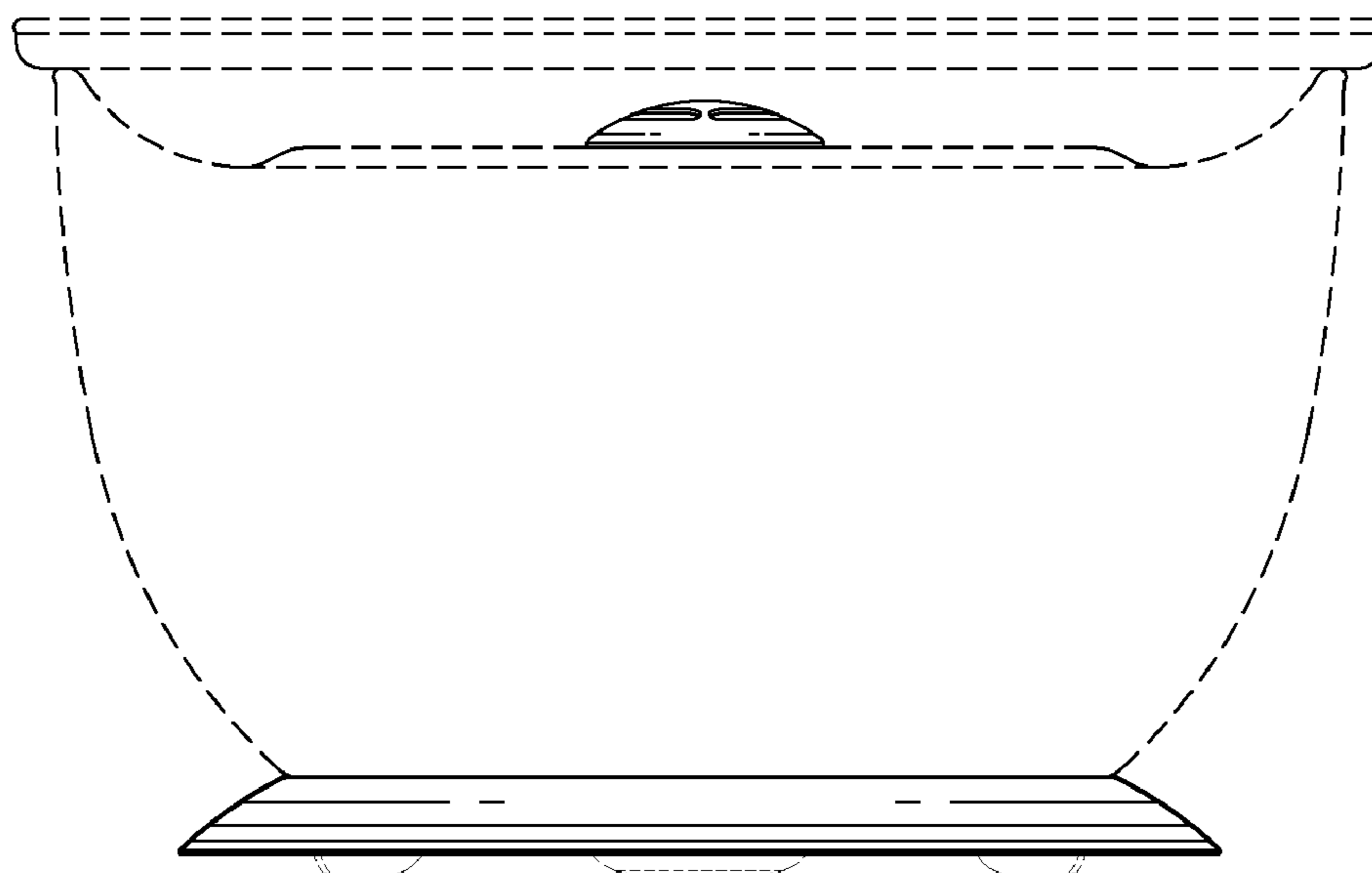


FIG. 12

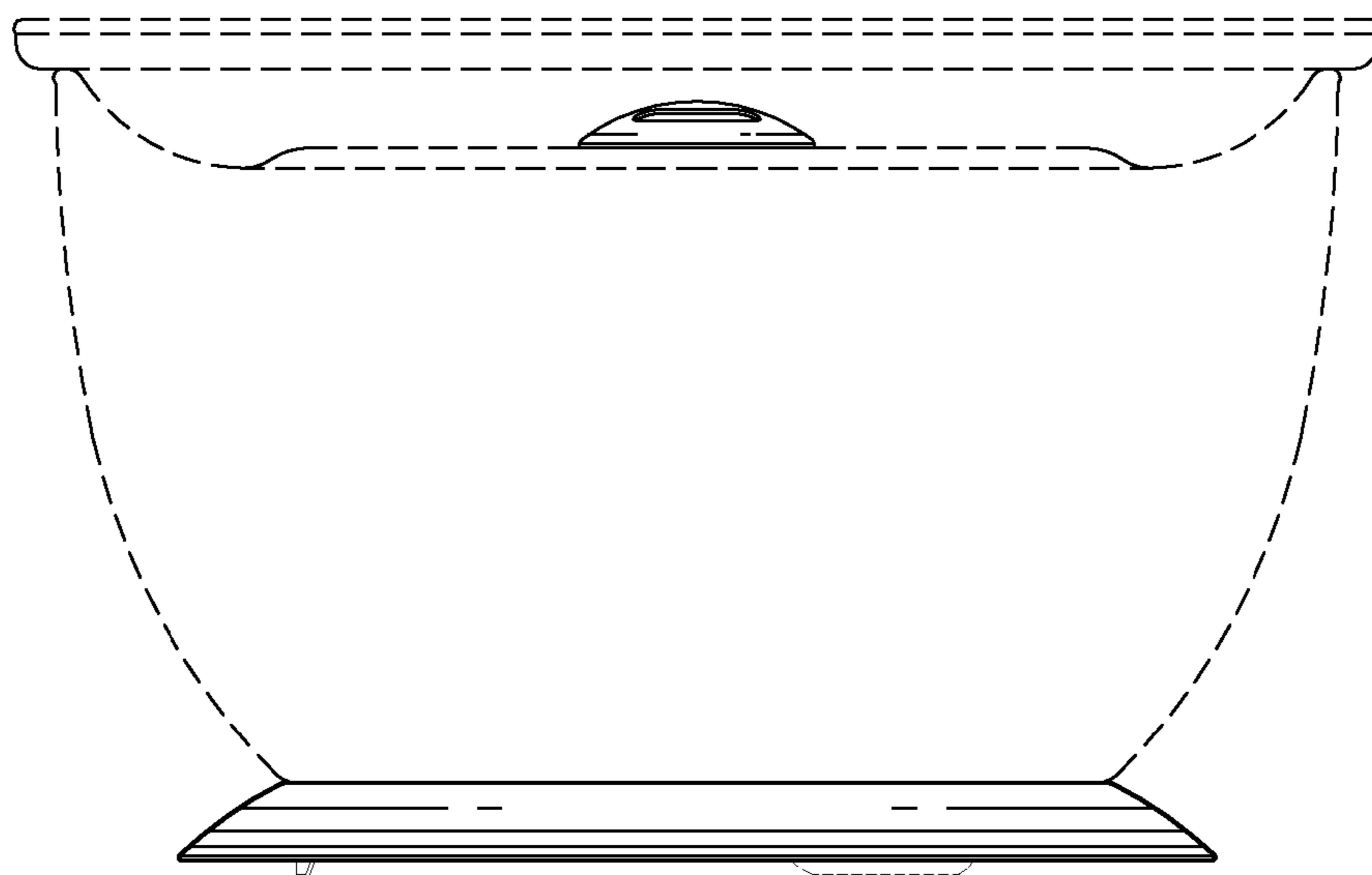


FIG. 13

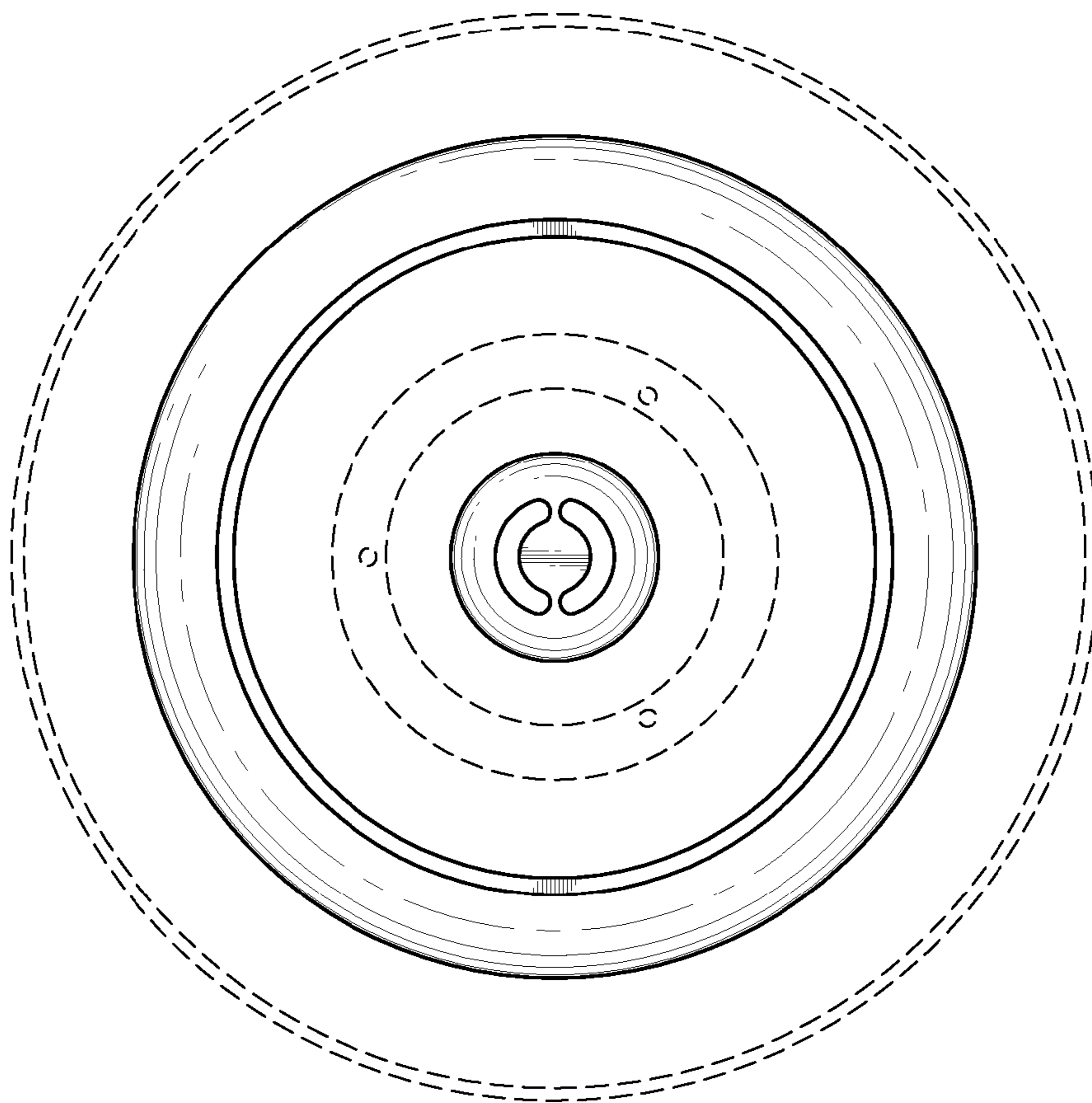


FIG. 14

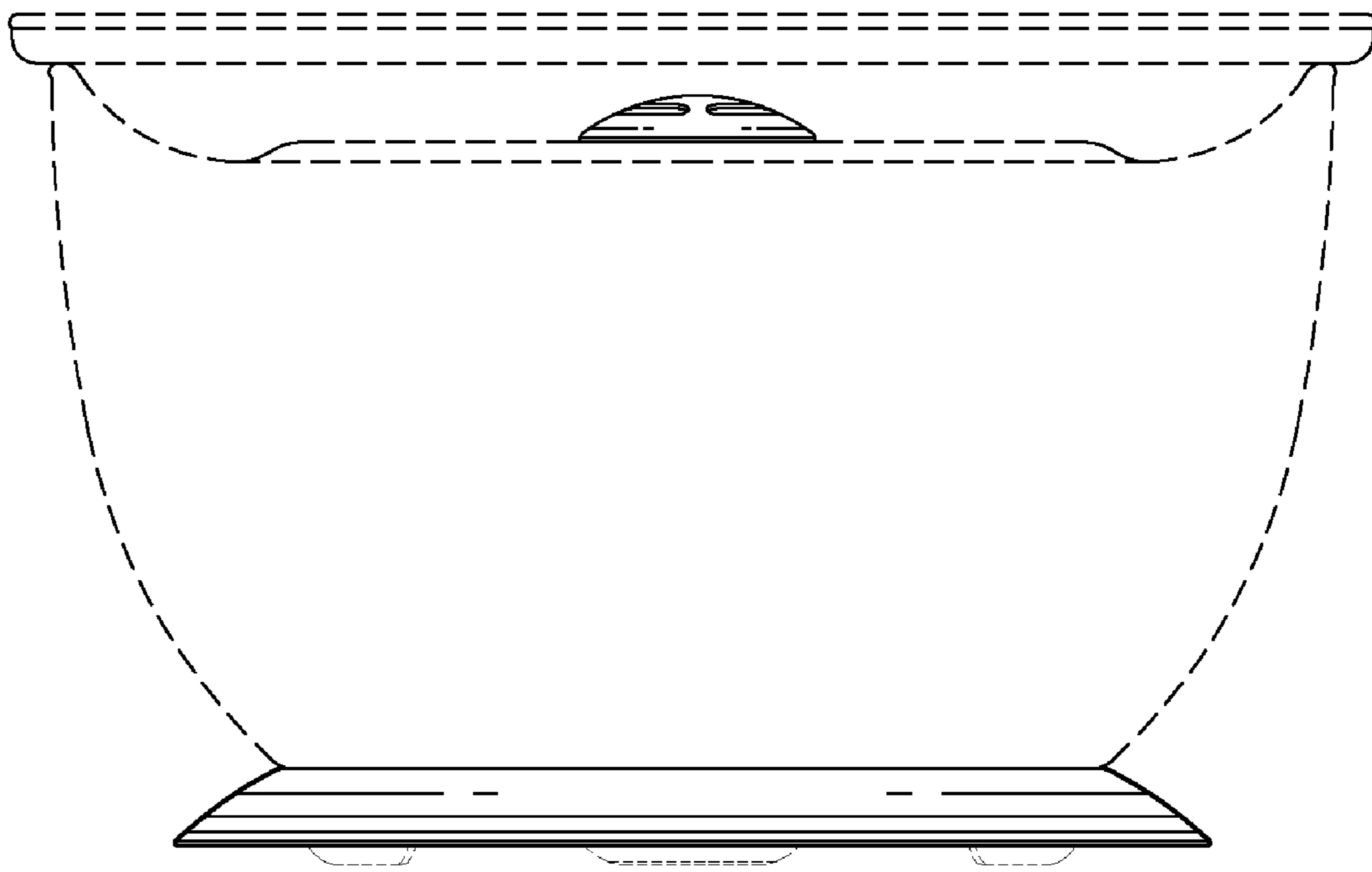


FIG. 15