



US00D547599S

(12) **United States Design Patent**
Gerlach

(10) **Patent No.:** **US D547,599 S**

(45) **Date of Patent:** **** Jul. 31, 2007**

(54) **FRYING PAN**

(75) Inventor: **Thomas Gerlach**, Motzingen (DE)

(73) Assignee: **Fissler GmbH**, Idar-Oberstein (DE)

(**) Term: **14 Years**

(21) Appl. No.: **29/263,360**

(22) Filed: **Jul. 21, 2006**

(30) **Foreign Application Priority Data**

Jan. 23, 2006 (EP) 000 467 626

(51) **LOC (8) Cl.** **07-02**

(52) **U.S. Cl.** **D7/361**

(58) **Field of Classification Search** D7/323,
D7/328-330, 352-361, 409-411, 391-396.1,
D7/500, 545, 546, 586; 99/140 R, 324, 339,
99/345, 422, 424, 426, 445; 219/620-622,
219/725-730; 220/573.1-574, 912; 222/146,
222/572

See application file for complete search history.

(56) **References Cited**

U.S. PATENT DOCUMENTS

1,447,813 A * 3/1923 Patrick 99/425
1,460,380 A * 7/1923 Hughes 99/425
D174,504 S * 4/1955 Krause D7/361
D366,181 S * 1/1996 Rossiaud D7/361

D373,287 S * 9/1996 Antonio D7/361
D377,438 S * 1/1997 Brunianyn D7/361
D377,883 S * 2/1997 Candianides D7/361
D392,840 S * 3/1998 Rae D7/402
6,032,822 A * 3/2000 Munari 220/573.1
D438,054 S * 2/2001 Munari D7/395
D470,716 S * 2/2003 Kloppsteck D7/361
D482,563 S * 11/2003 Candianides D7/361
D507,719 S * 7/2005 Spagnolo D7/361

* cited by examiner

Primary Examiner—Cathron C. Brooks

Assistant Examiner—Ricky Pham

(74) *Attorney, Agent, or Firm*—Foley & Lardner LLP

(57) **CLAIM**

The ornamental design for a frying pan, as shown.

DESCRIPTION

FIG. 1 is a rightside elevational view of a frying pan showing my new design;

FIG. 2 is left side elevational view thereof;

FIG. 3 is a front elevational view thereof;

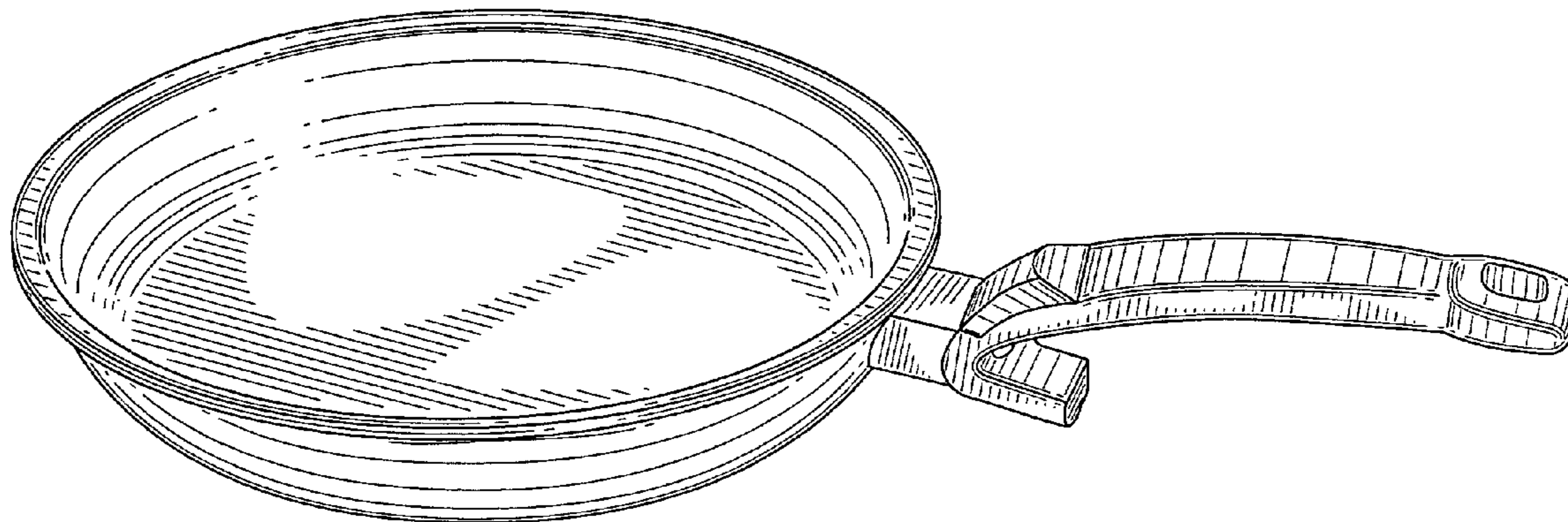
FIG. 4 is a rear elevational view thereof;

FIG. 5 is a top plan view thereof;

FIG. 6 is a bottom plan view thereof; and,

FIG. 7 is a perspective view thereof.

1 Claim, 4 Drawing Sheets



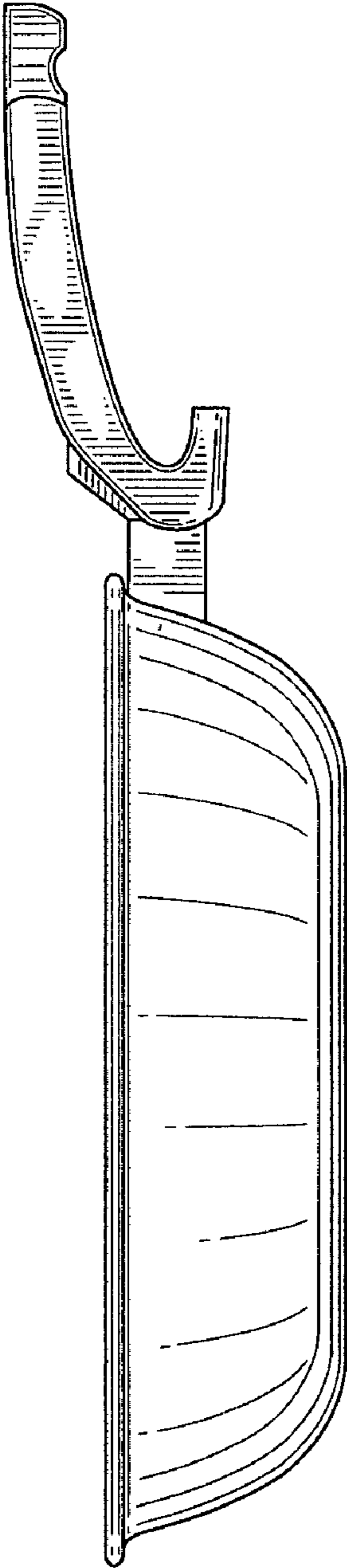


FIG. 1

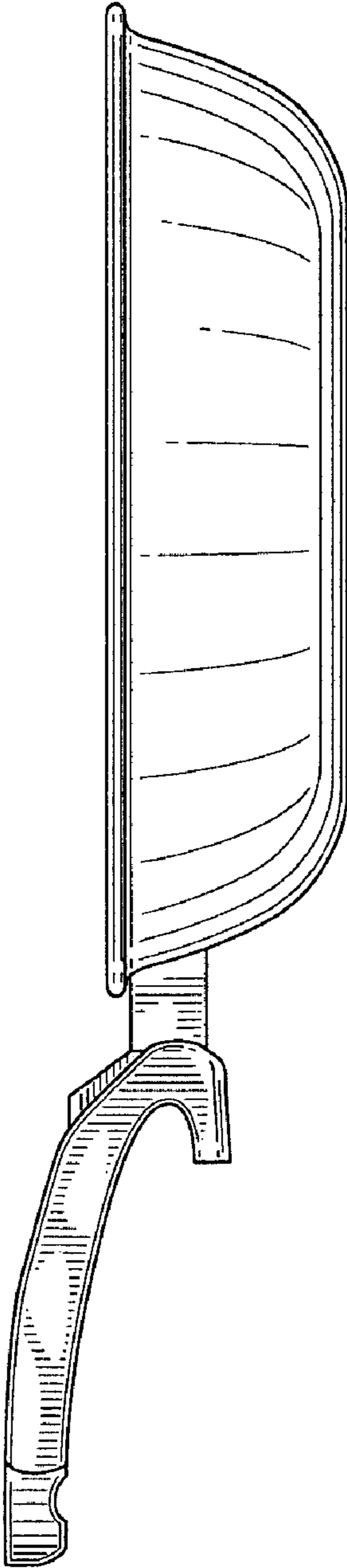


FIG. 2

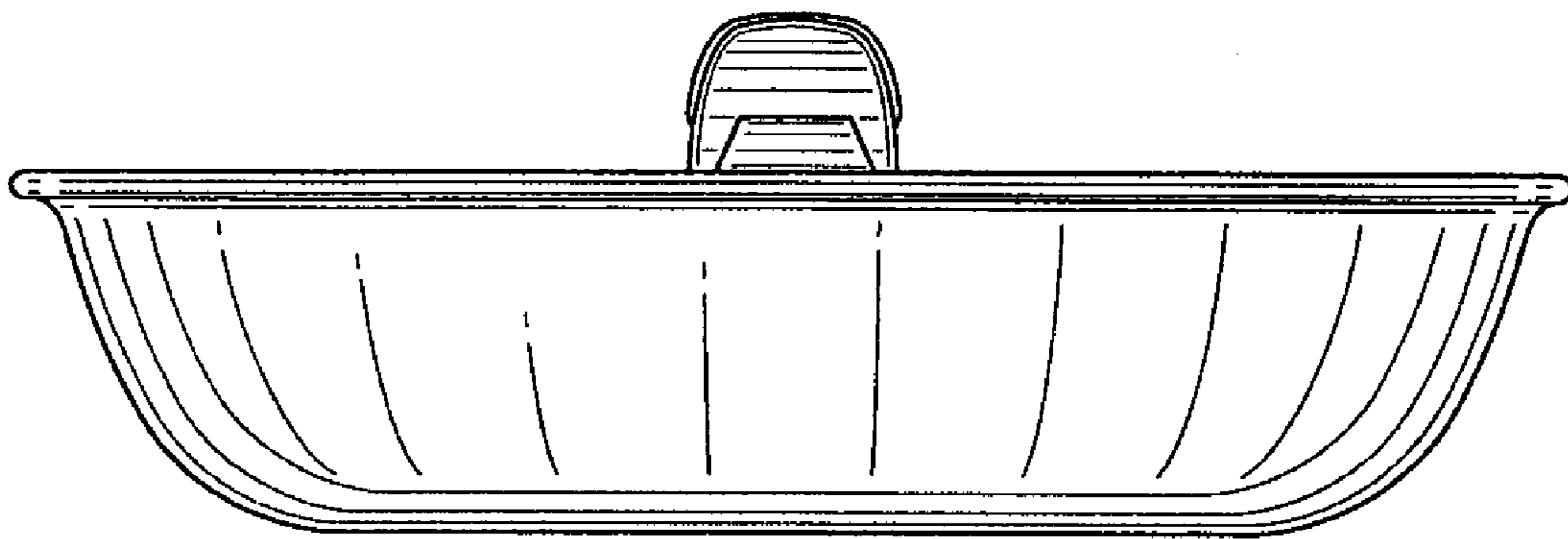


FIG. 3

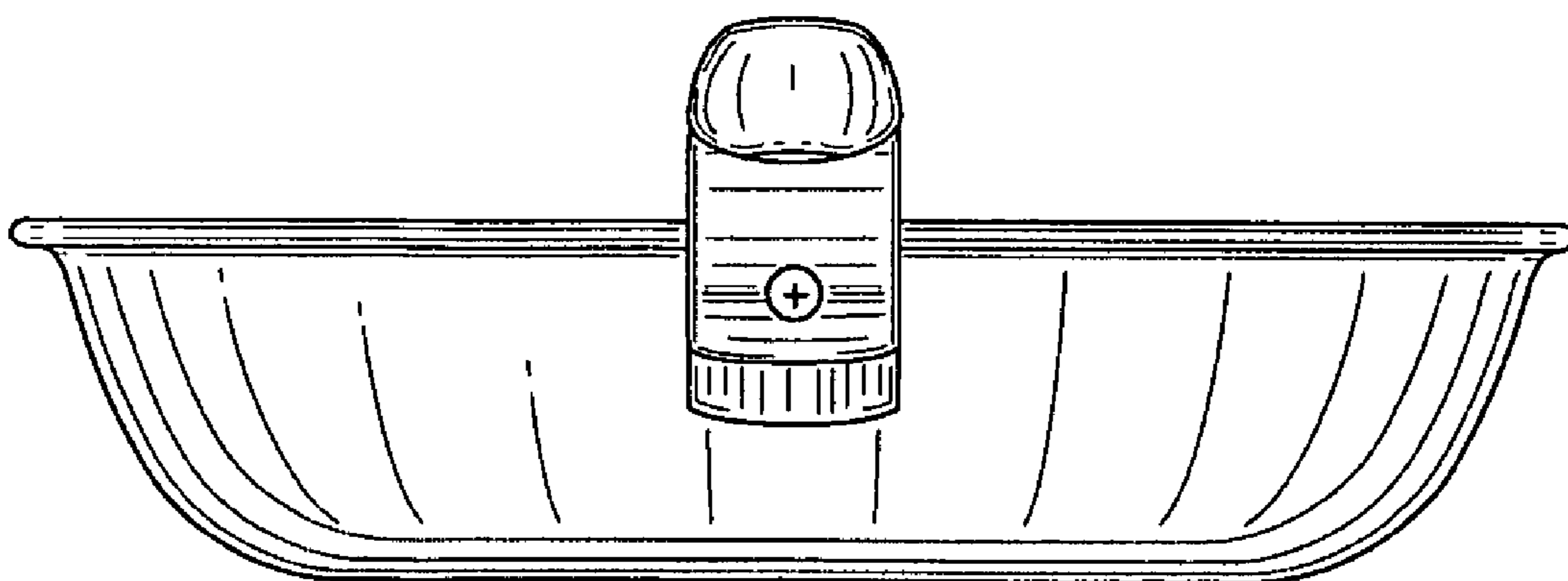


FIG. 4

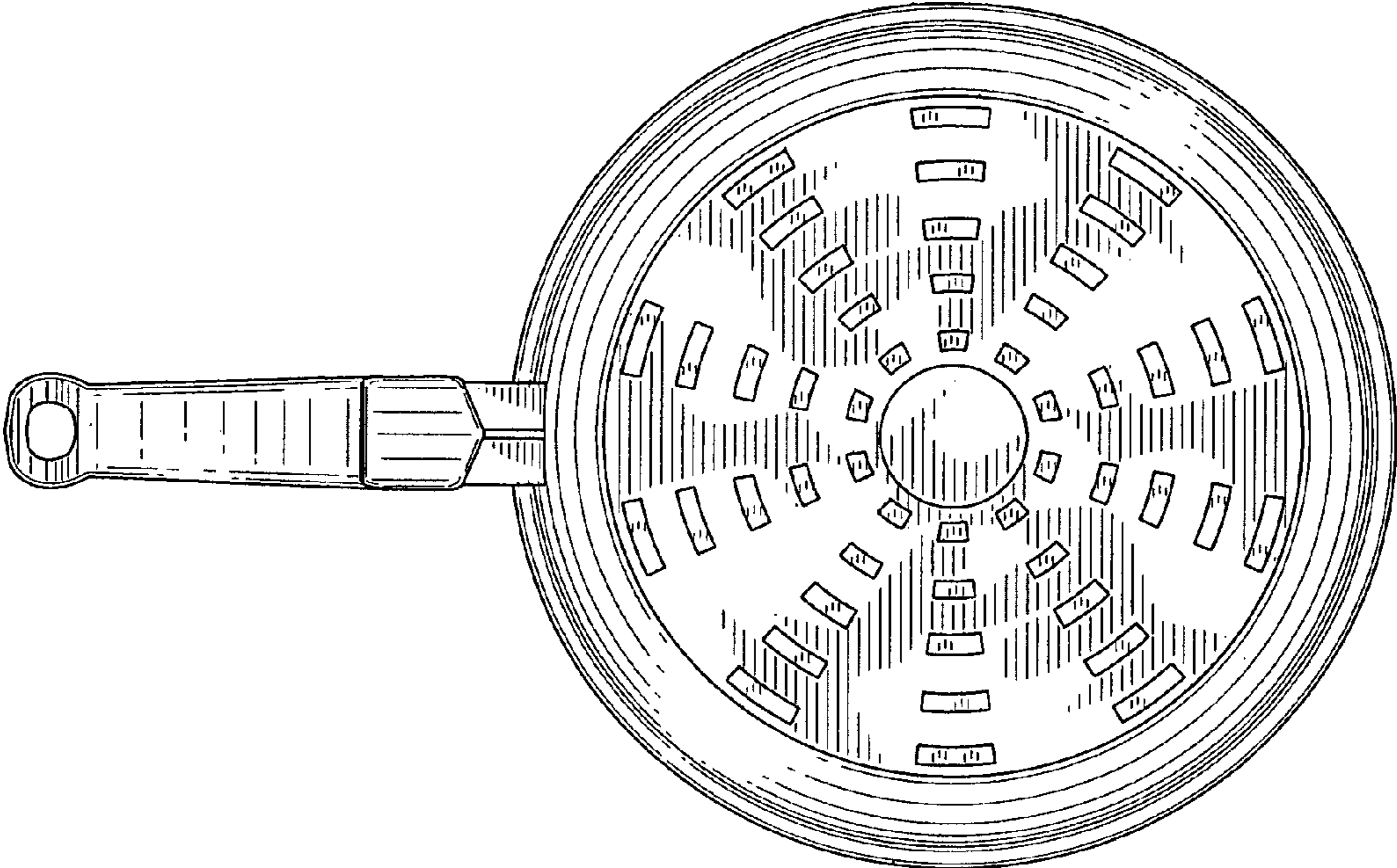


FIG. 6

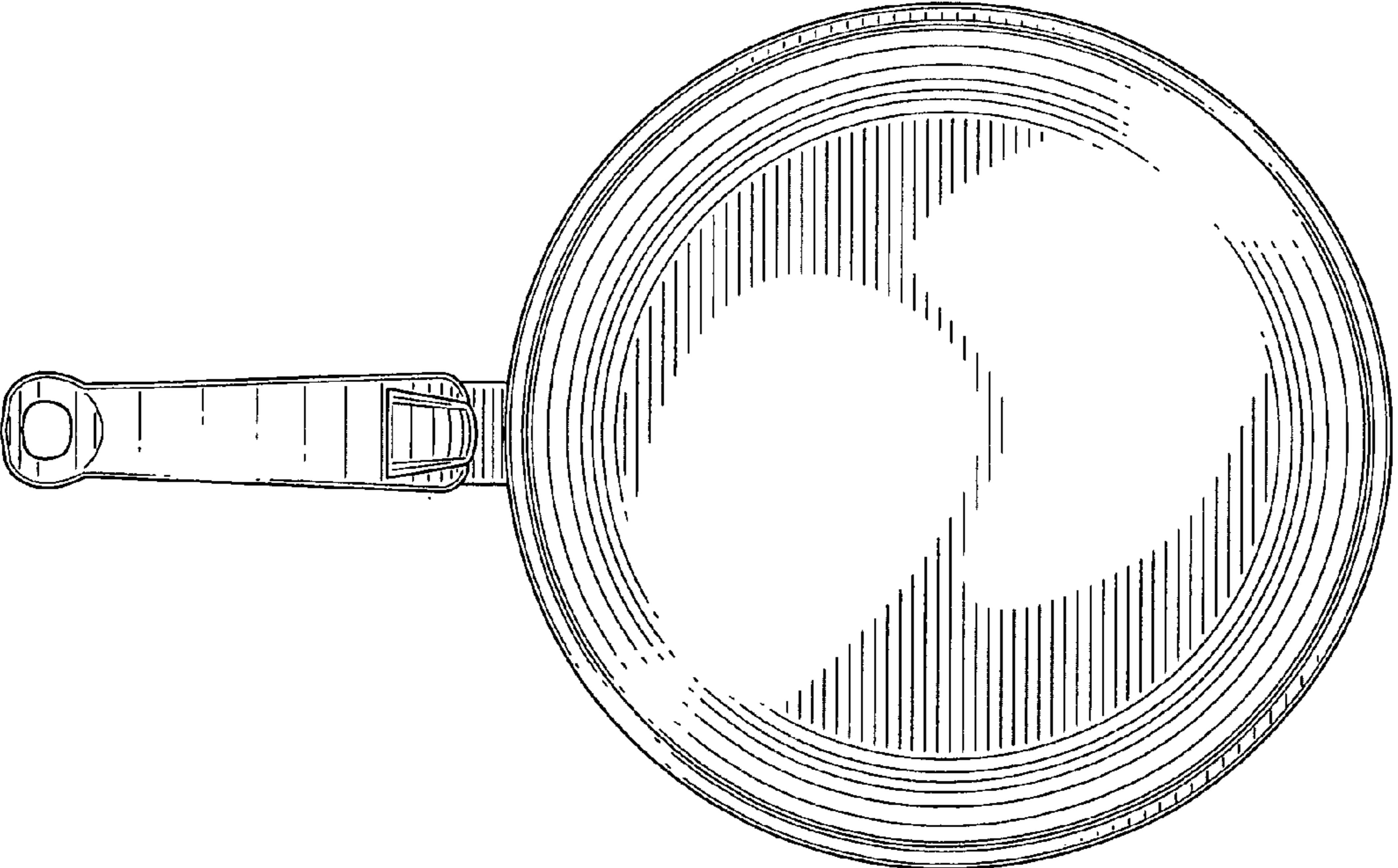


FIG. 5

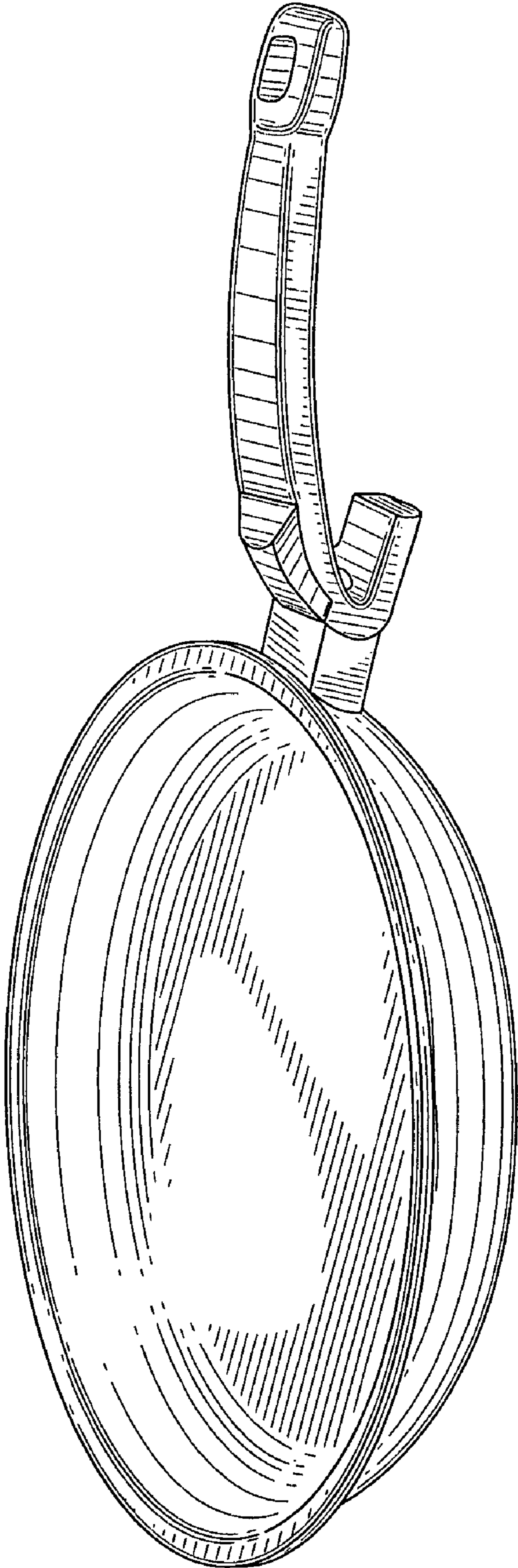


FIG. 7