



US00D547585S

(12) **United States Design Patent**
Netto et al.

(10) **Patent No.:** **US D547,585 S**
(45) **Date of Patent:** **** Jul. 31, 2007**

(54) **SHELVES**

D508,171 S * 8/2005 Choo D6/477
D509,083 S * 9/2005 Sexton D6/477

(75) Inventors: **David Netto**, New York, NY (US);
William A. McClave, New York, NY
(US)

* cited by examiner

Primary Examiner—Brian N Vinson
(74) *Attorney, Agent, or Firm*—WRB-IP LLP

(73) Assignee: **Netto Collection LLC**, New York, NY
(US)

(57) **CLAIM**

(**) Term: **14 Years**

The ornamental design for shelves, as shown and described.

(21) Appl. No.: **29/244,651**

DESCRIPTION

(22) Filed: **Dec. 13, 2005**

FIG. 1 is a perspective view of a shelves according to an embodiment of the present invention;

(51) **LOC (8) Cl.** **06-04**

FIG. 2 is a front view of the shelves according to an embodiment of the present invention;

(52) **U.S. Cl.** **D6/574**

FIG. 3 is a rear view of the shelves according to an embodiment of the present invention;

(58) **Field of Classification Search** D6/569,
D6/567, 477, 574; 108/28–29; 248/235,
248/309.1; 211/13.1, 42, 71.01, 86.01, 88.01,
211/88.03, 90.01, 90.03, 126.1, 133.5
See application file for complete search history.

FIG. 4 is a right-side view of the shelves according to an embodiment of the present invention;

FIG. 5 is a left-side view of the shelves according to an embodiment of the present invention;

(56) **References Cited**

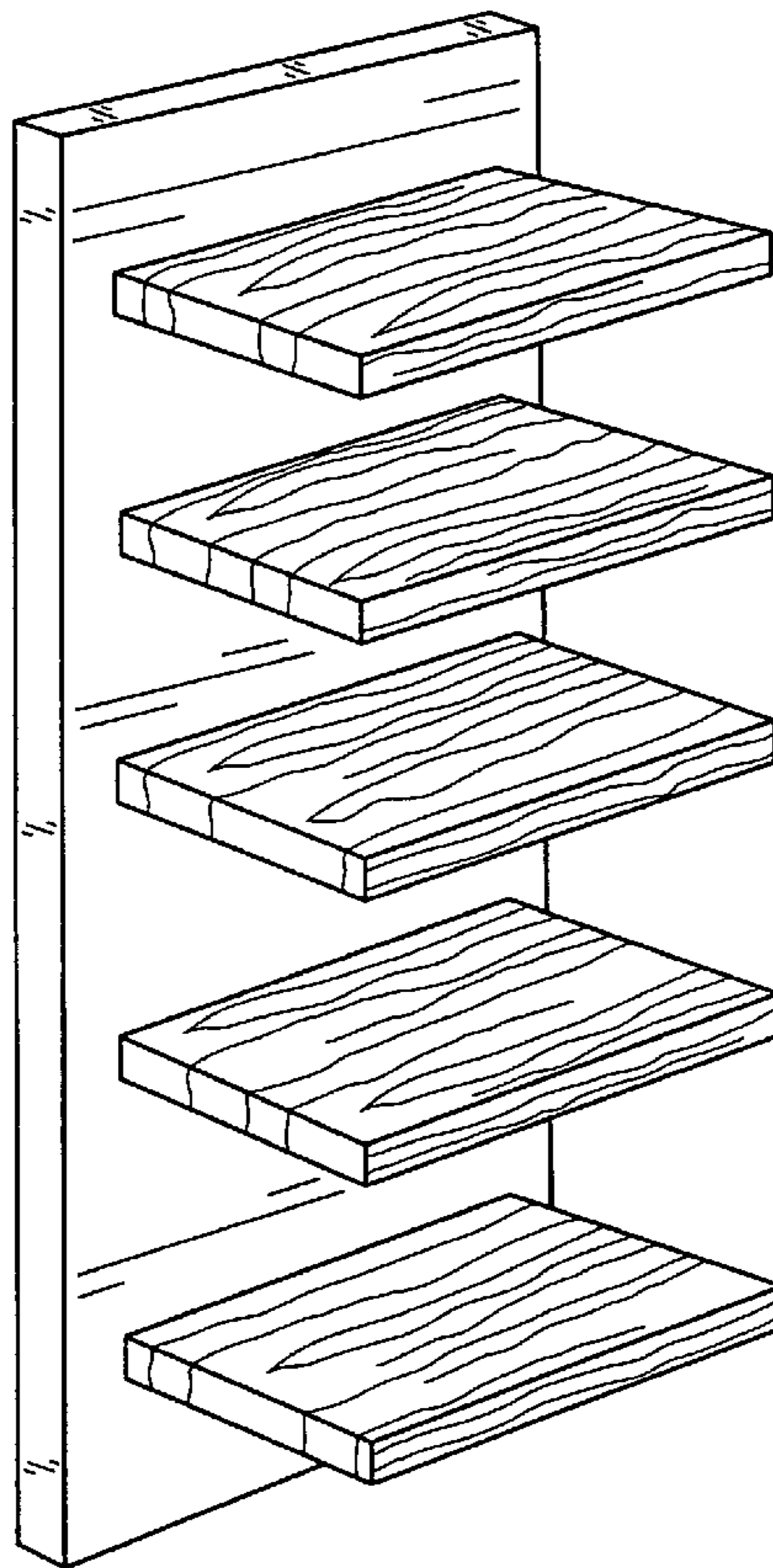
U.S. PATENT DOCUMENTS

D225,779 S * 1/1973 Viviano et al. D6/570
D332,972 S * 2/1993 Lott D6/569
D373,698 S * 9/1996 Farrell D6/570
D457,027 S * 5/2002 Muller et al. D6/574
D465,356 S * 11/2002 Muller D6/477

FIG. 6 is a top view of the shelves according to an embodiment of the present invention; and,

FIG. 7 is a bottom view of the shelves according to an embodiment of the present invention.

1 Claim, 4 Drawing Sheets



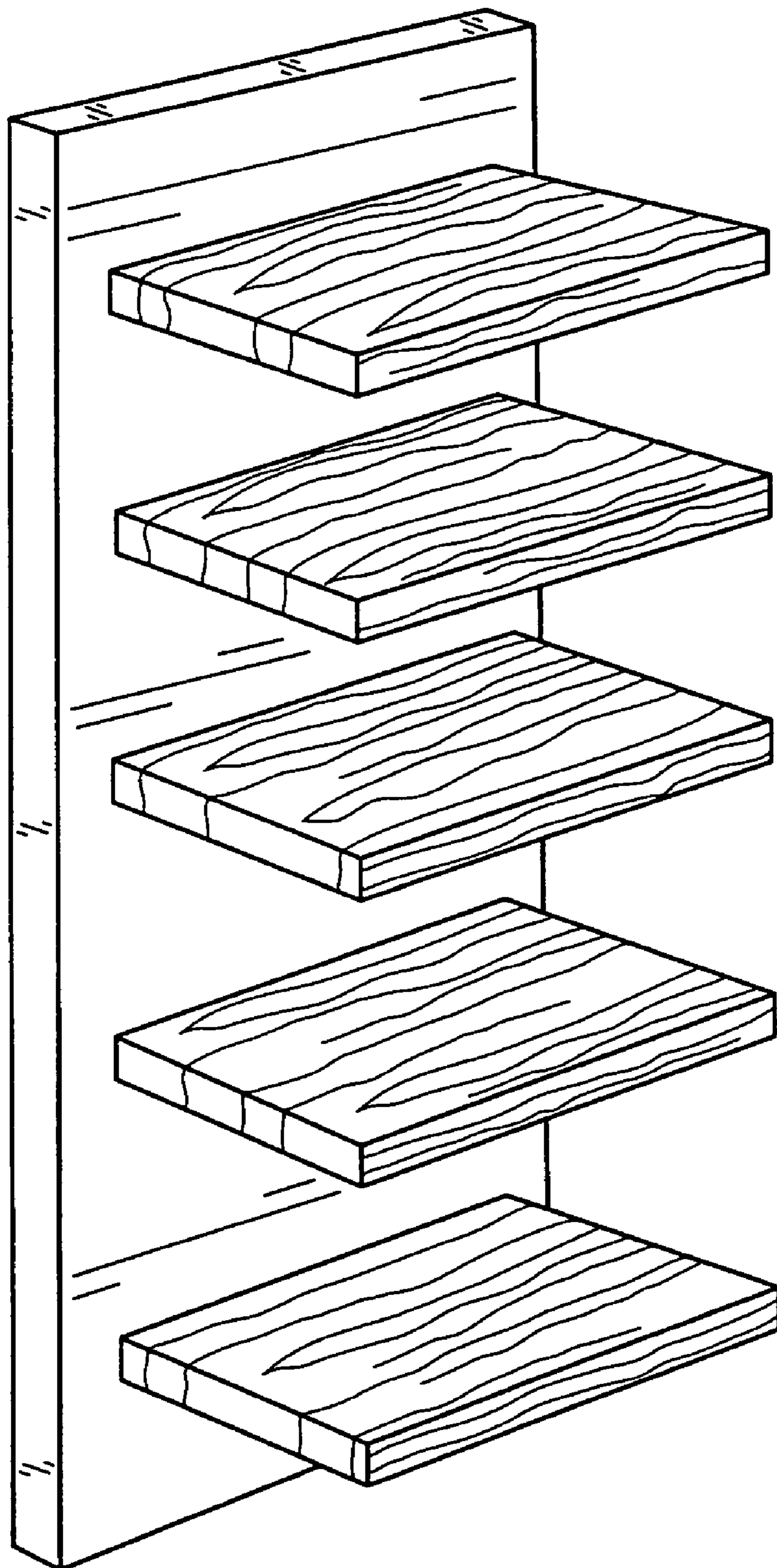


FIG. 1

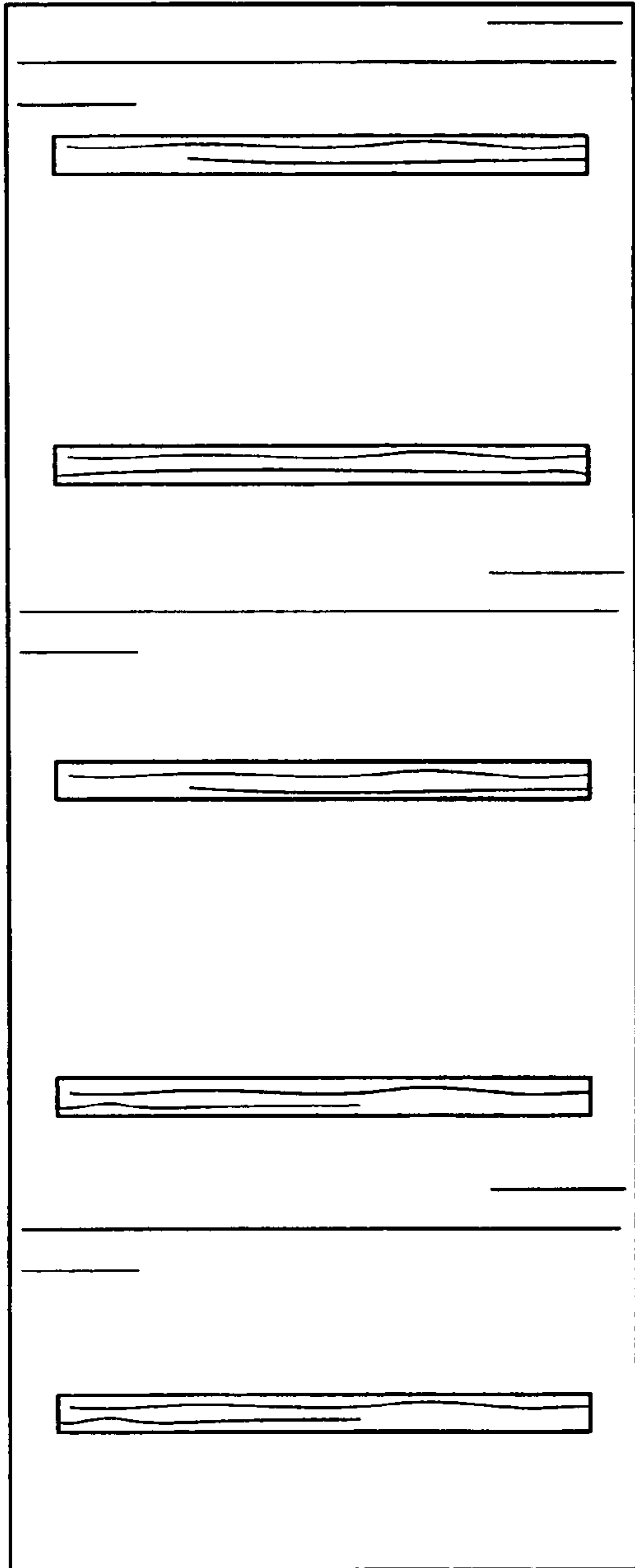


FIG. 2

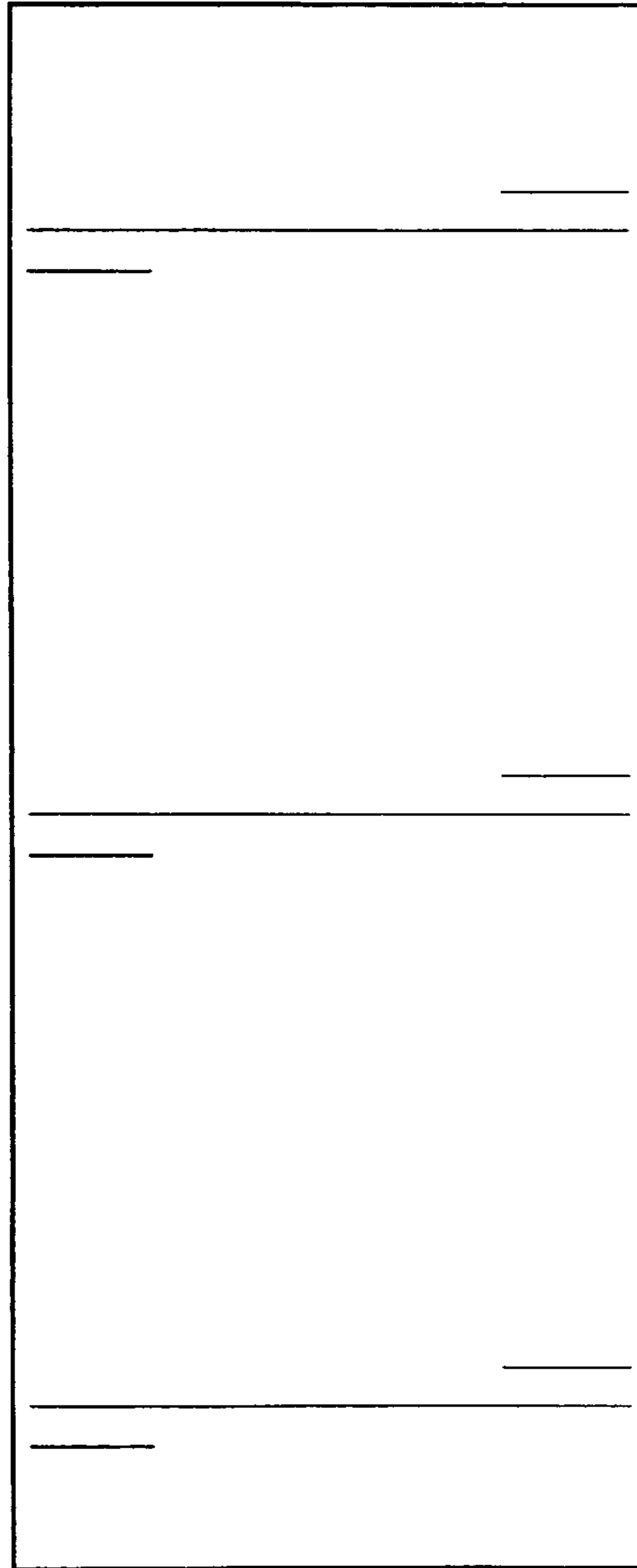


FIG. 3

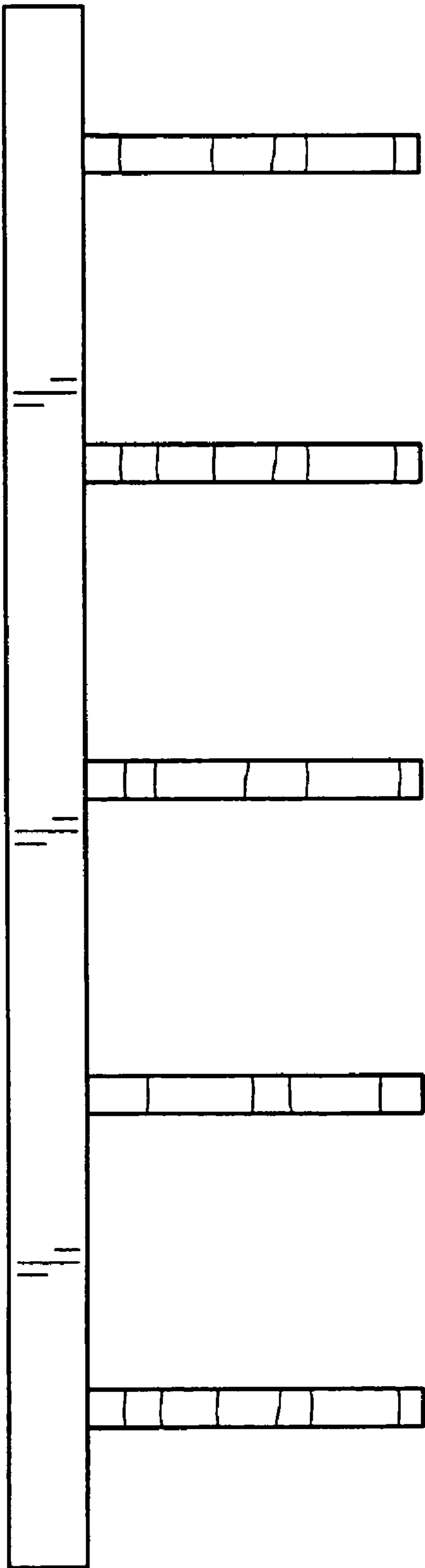


FIG. 4

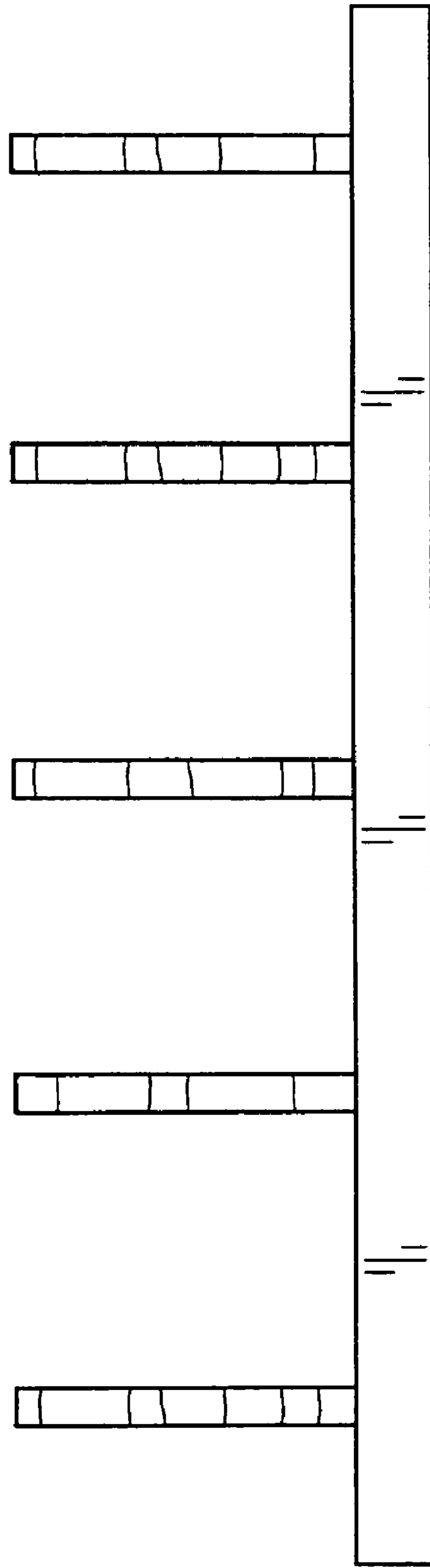


FIG. 5

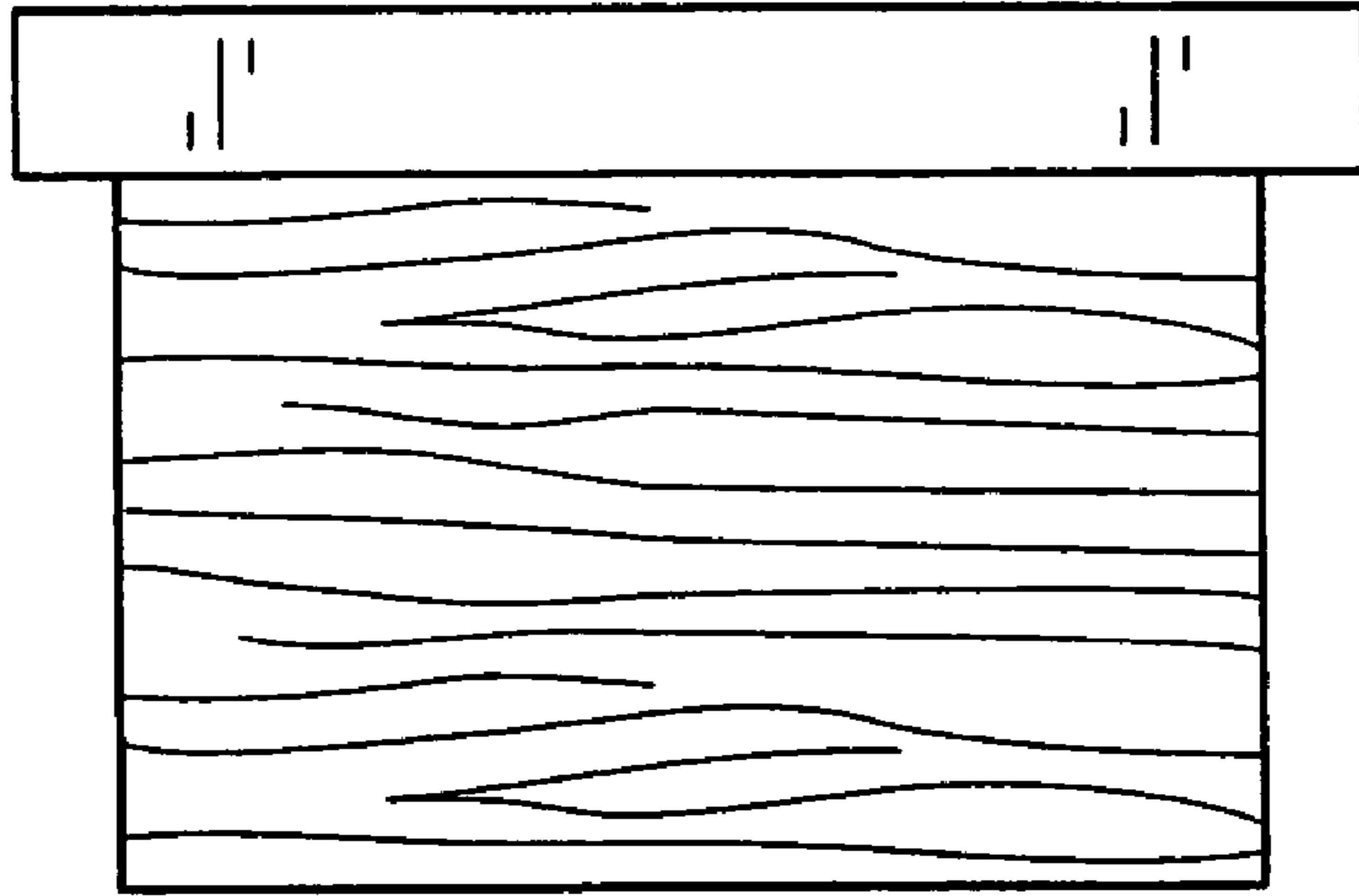


FIG. 6

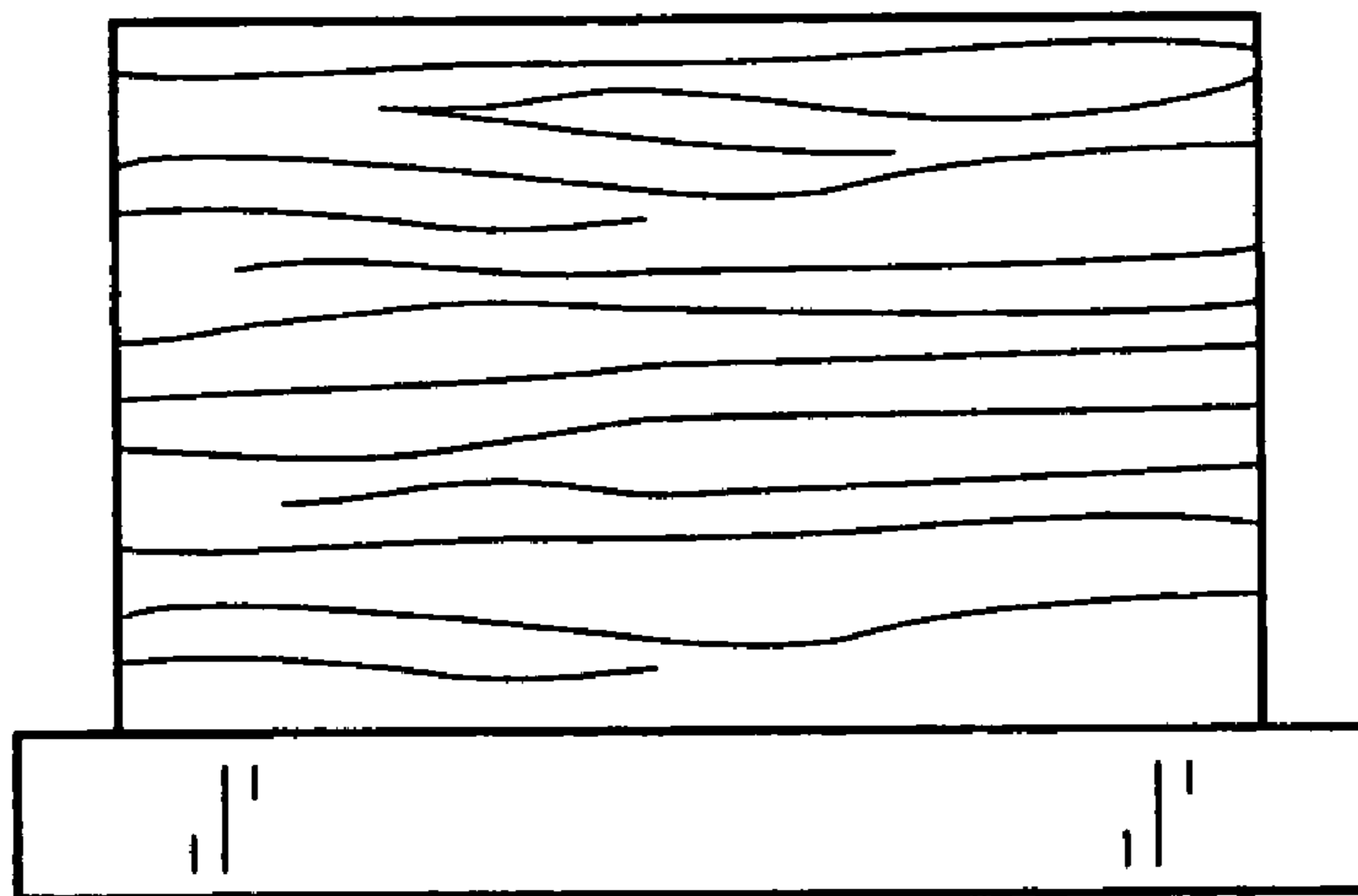


FIG. 7