



US00D547582S

(12) **United States Design Patent**  
**Lukan**

(10) **Patent No.:** **US D547,582 S**

(45) **Date of Patent:** **\*\* Jul. 31, 2007**

(54) **RAZOR HOLDER**

D533,740 S \* 12/2006 Dombrowski et al. .... D6/526

(75) Inventor: **Sean Lukan**, Milford, CT (US)

\* cited by examiner

(73) Assignee: **Eveready Battery Company, Inc.**, St. Louis, MO (US)

*Primary Examiner*—Brian N Vinson

(74) *Attorney, Agent, or Firm*—Michaud-Duffy Group LLP

(\*\*) Term: **14 Years**

(57) **CLAIM**

(21) Appl. No.: **29/233,964**

The ornamental design for a razor holder, as shown and described.

(22) Filed: **Jul. 11, 2005**

**DESCRIPTION**

(51) **LOC (8) Cl.** ..... **28-03**

FIG. 1 is a perspective view of the razor holder.

(52) **U.S. Cl.** ..... **D6/526**

FIG. 2 is a front view of the razor holder.

(58) **Field of Classification Search** ..... D6/524,  
D6/526, 540, 553, 567; D8/373; 211/13.1,  
211/70.6, 87.01, 89.01; 248/200, 205.5,  
248/309.1, 314

FIG. 3 is a top view of the razor holder.

FIG. 4 is a side view of the razor holder.

FIG. 5 is a side view of the razor holder.

See application file for complete search history.

FIG. 6 is a rear view of the razor holder; and,

FIG. 7 is a bottom view of the razor holder.

(56) **References Cited**

**U.S. PATENT DOCUMENTS**

The broken lines shown in the accompanying drawings show environmental structure and are for illustrative purposes only and form no part of the claimed design.

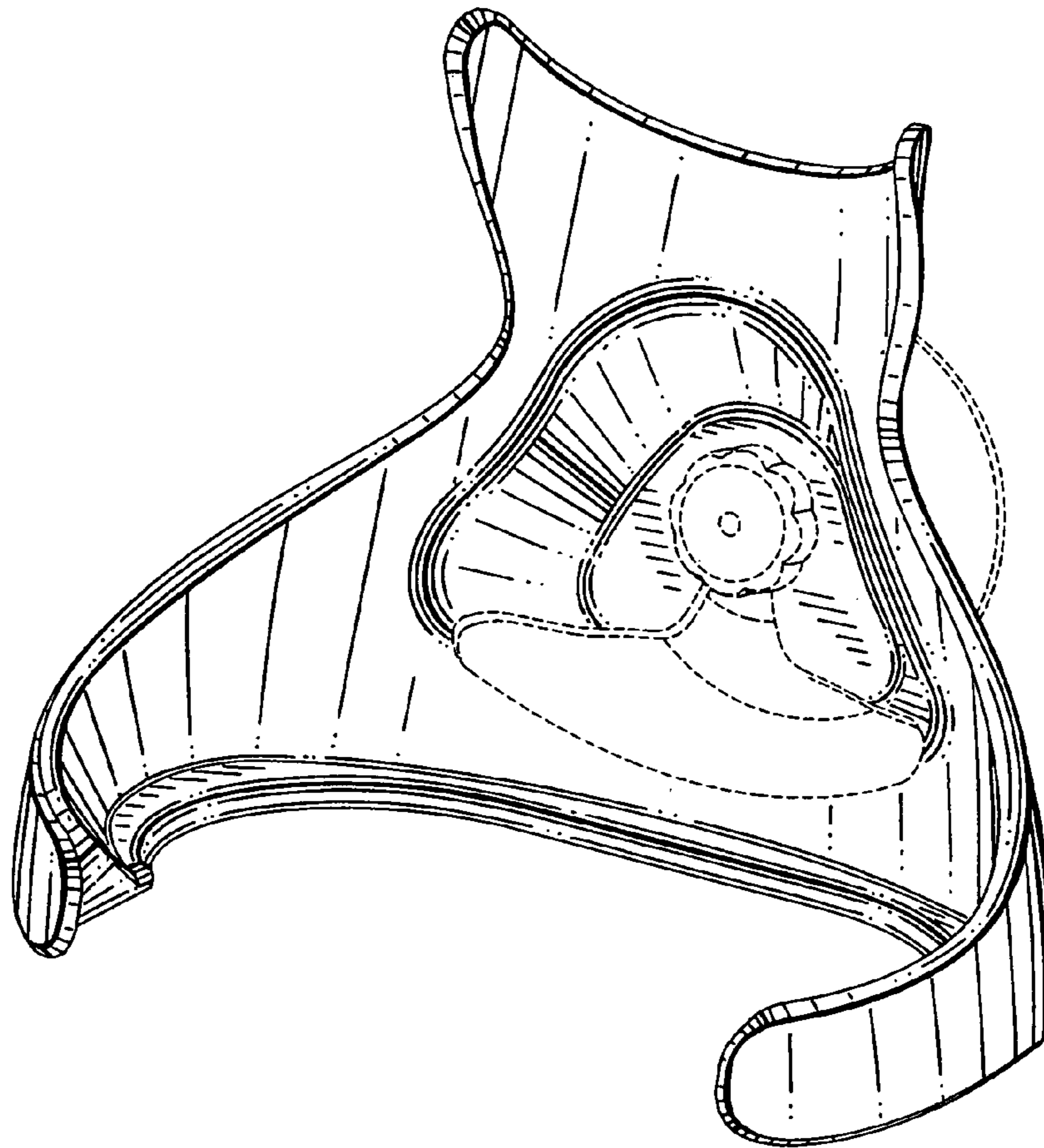
D283,076 S \* 3/1986 States, Jr. .... D6/526

D370,375 S \* 6/1996 Murgida et al. .... D6/526

D464,222 S \* 10/2002 Coffin et al. .... D6/526

7,040,024 B2 \* 5/2006 Lukan et al. .... D6/526

**1 Claim, 4 Drawing Sheets**



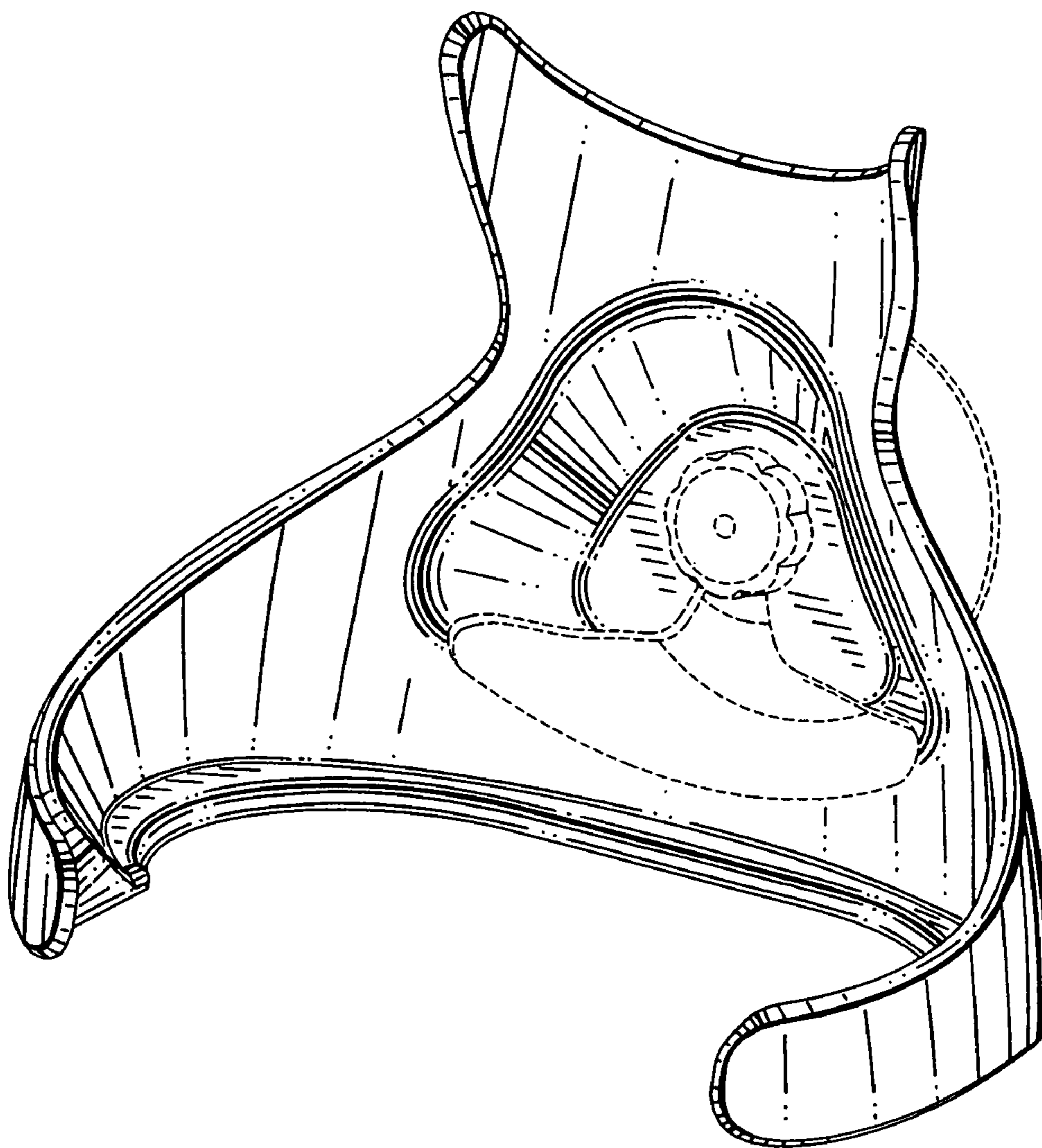


FIG. 1

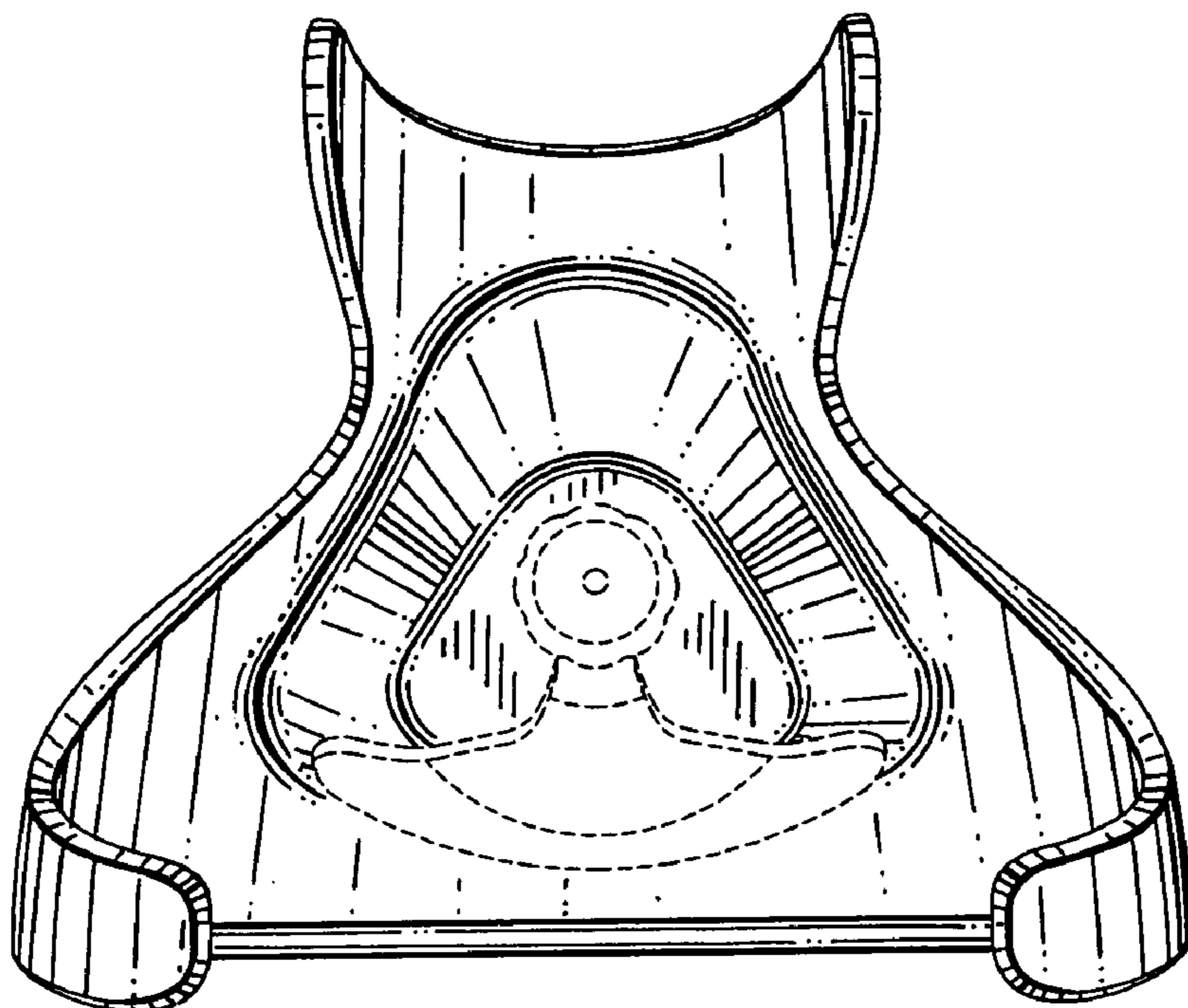


FIG. 2

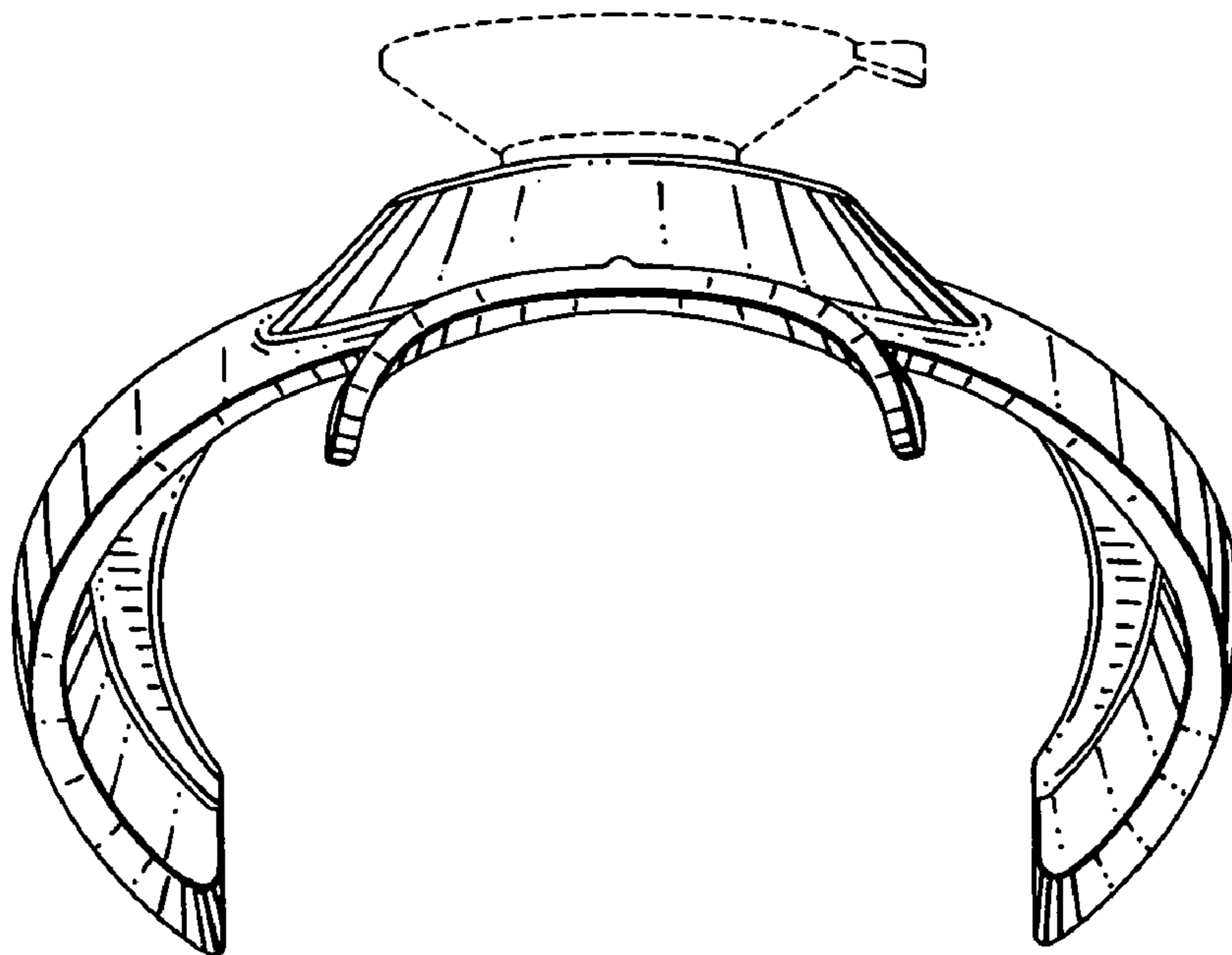


FIG. 3

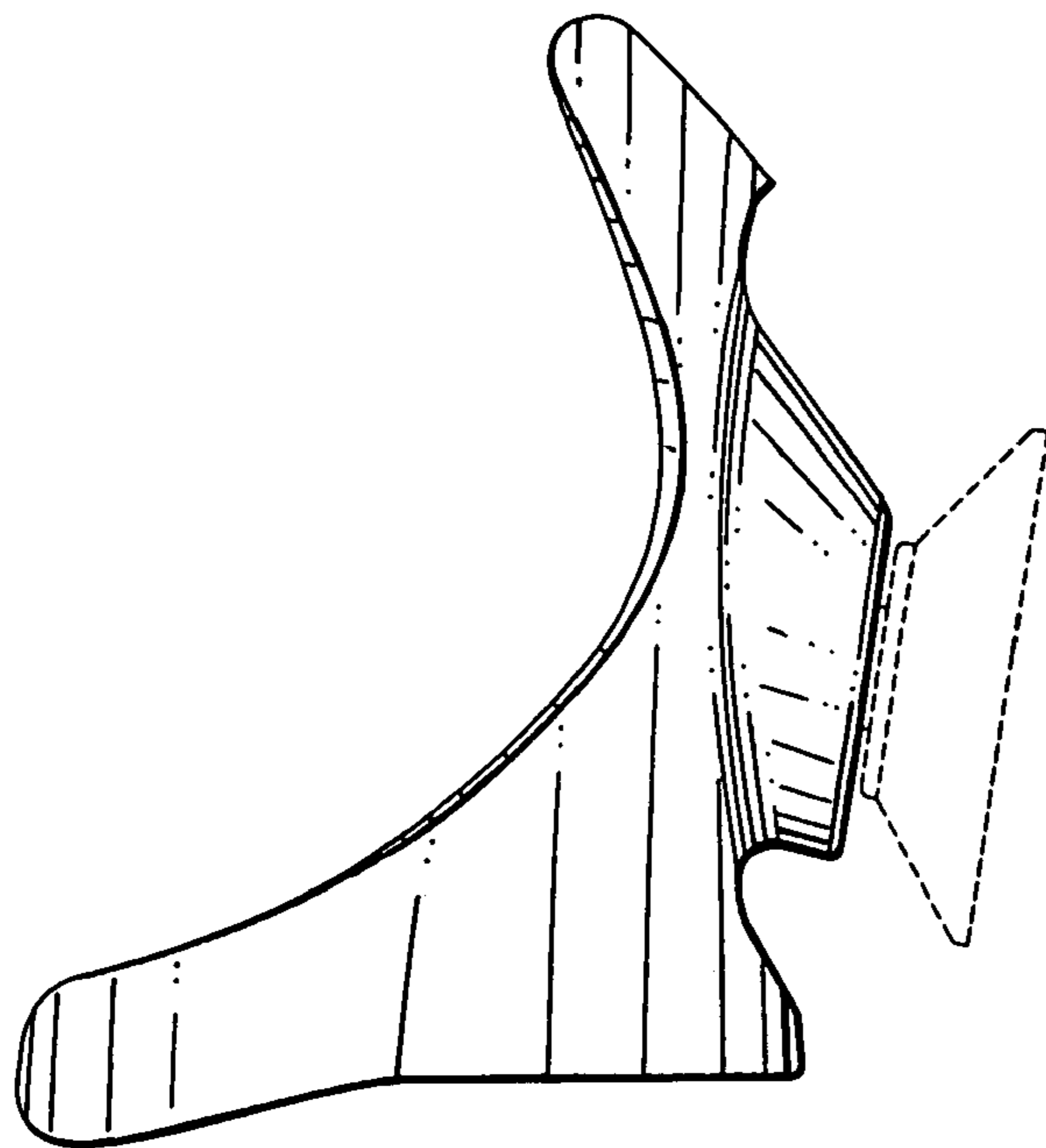


FIG. 4

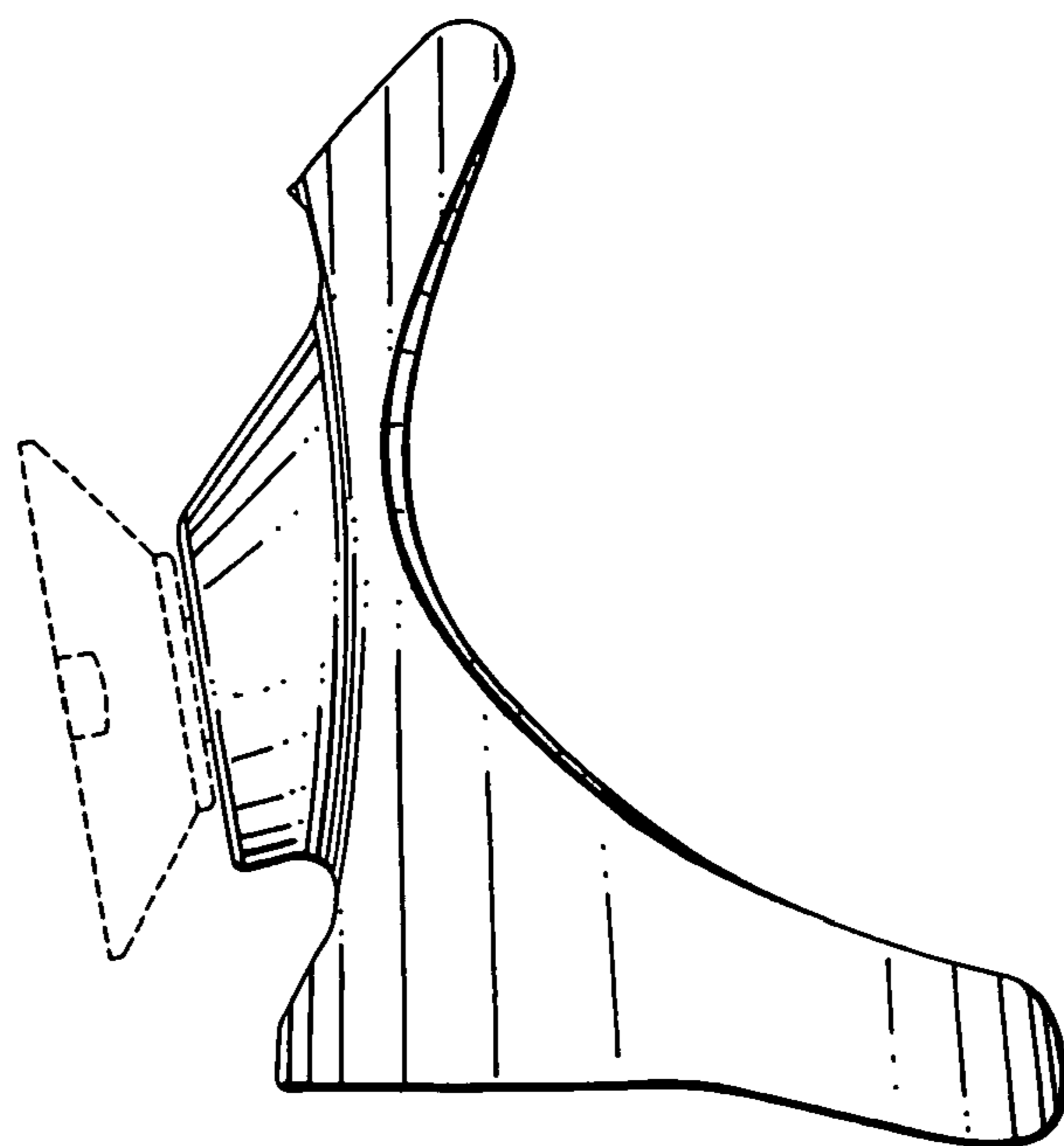


FIG. 5

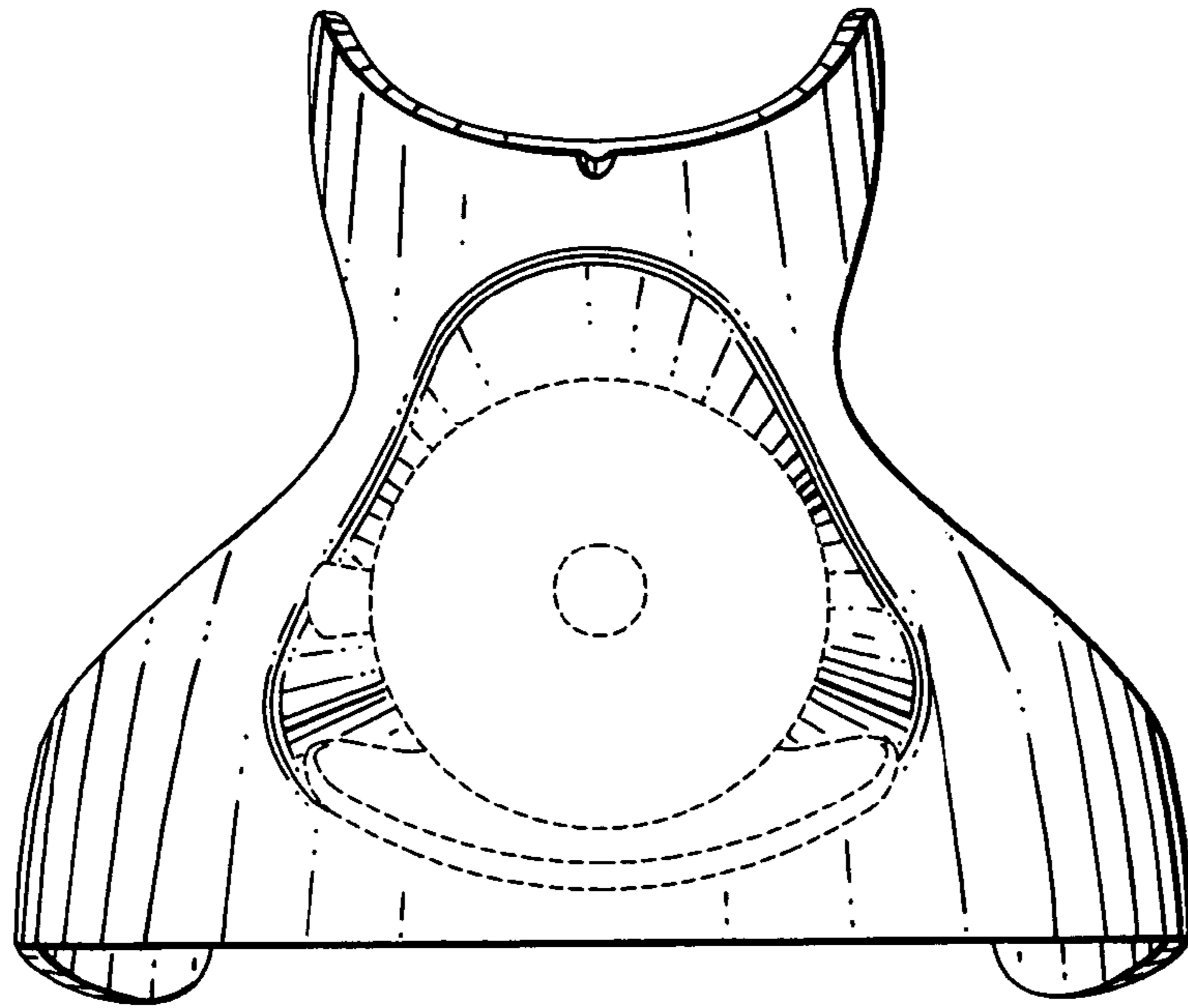


FIG. 6

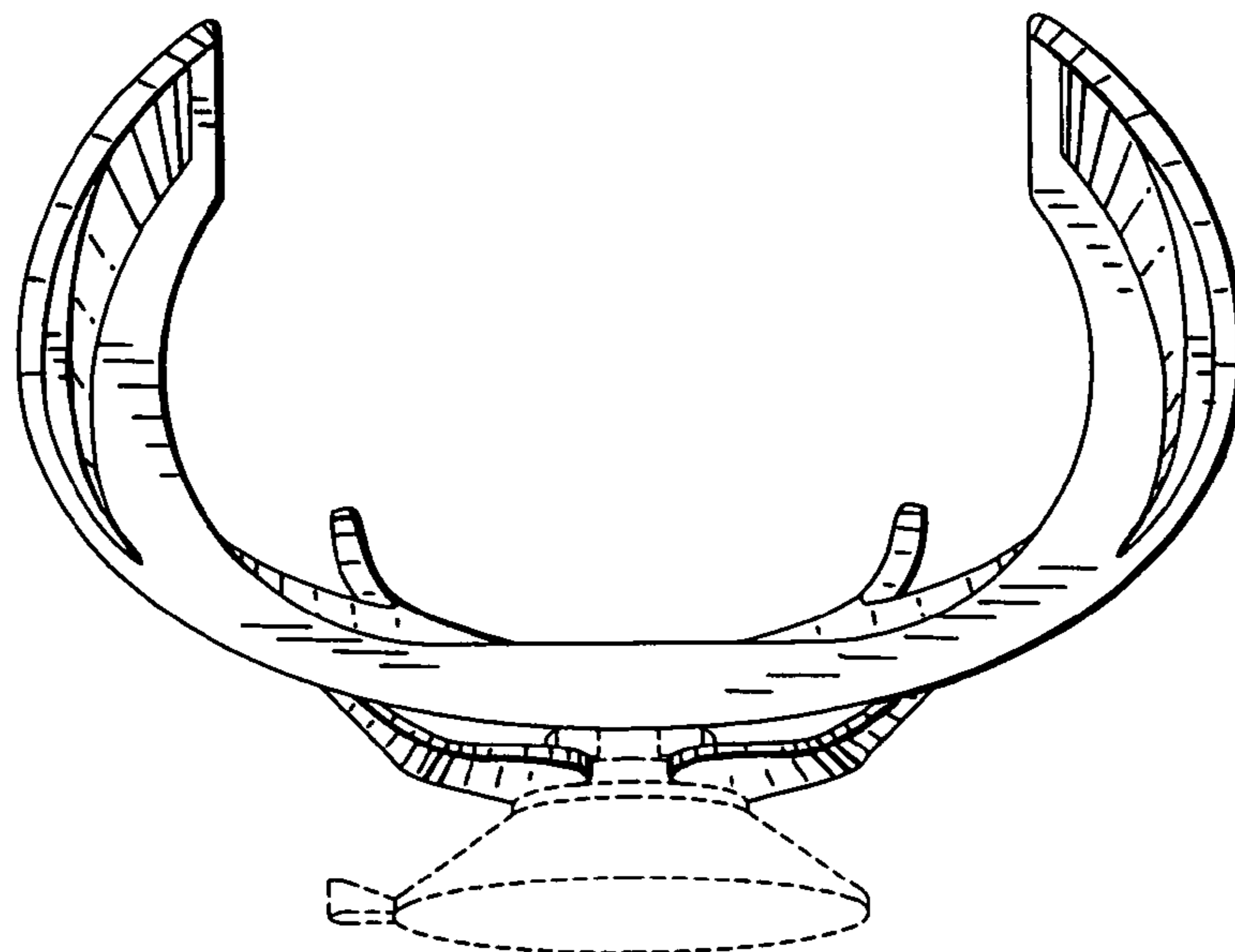


FIG. 7