

US00D547579S

(12) **United States Design Patent**  
**Greiner**

(10) **Patent No.:** **US D547,579 S**

(45) **Date of Patent:** **\*\* Jul. 31, 2007**

(54) **CLOSET ORGANIZER**

(76) **Inventor:** **Lori Greiner**, 1301 Dearborn Pkwy.,  
Suite 402, Chicago, IL (US) 60610

(\*\*) **Term:** **14 Years**

(21) **Appl. No.:** **29/249,697**

(22) **Filed:** **Oct. 18, 2006**

**Related U.S. Application Data**

(63) Continuation of application No. 29/259,007, filed on  
May 1, 2006, now Pat. No. Des. 540,583.

(51) **LOC (8) Cl.** ..... **06-06**

(52) **U.S. Cl.** ..... **D6/514**

(58) **Field of Classification Search** ..... D6/513-514,  
D6/553, 567; 206/278, 9, 286, 289; 211/10,  
211/13.1, 85.3, 113

See application file for complete search history.

(56) **References Cited**

**U.S. PATENT DOCUMENTS**

D262,666 S *	1/1982	Tager	.....	D6/513
D355,085 S *	2/1995	Wilhite et al.	.....	D6/514
D369,261 S *	4/1996	Brink	.....	D6/514
D372,823 S *	8/1996	Kerschreiter	.....	D6/514
D416,734 S *	11/1999	Lannon et al.	.....	D6/553
D438,412 S *	3/2001	Dolan	.....	D6/513
D465,363 S *	11/2002	Ong	.....	D6/514
D499,287 S *	12/2004	Clute	.....	D6/514

**OTHER PUBLICATIONS**

Indoor: Closet: Clothing Storage: 4-Pc Closet-In-A-Bag at website:  
www.improvementscatalog.com, dated Aug. 25, 2005.

Item No. H78475 sold before the filing date of the subject appli-  
cation on QVC as seen at website: www.qvc.com/scripts/detail.  
dll?item=H78475&tmp=P19+cont=6+cm\_scid=PROM.

Twirl-A-Tie at Website: 222.gadgetcorner.com, dated Aug. 25,  
2005.

Twirl-A-Belt at website: www.gadgetcorner.com, dated Aug. 25,  
2005.

24-Pocket Organizer at website: www.gadgetcorner.com, dated  
Aug. 25, 2005.

\* cited by examiner

*Primary Examiner*—Brian N Vinson

(74) *Attorney, Agent, or Firm*—Fredrikson & Byron, P.A.

(57) **CLAIM**

The ornamental design for a closet organizer, as shown and  
described.

**DESCRIPTION**

FIG. 1 is a perspective view of my new design for a closet  
organizer;

FIG. 2 is a front elevation view thereof;

FIG. 3 is a rear elevation view thereof;

FIG. 4 is a left side elevation view thereof, the right side  
elevation view is a mirror image of the left side elevational  
view;

FIG. 5 is a top plan view thereof; and,

FIG. 6 is a bottom plan view thereof.

The broken-line disclosure in the views is understood to  
represent subject matter forming no part of the claimed  
design.

**1 Claim, 3 Drawing Sheets**

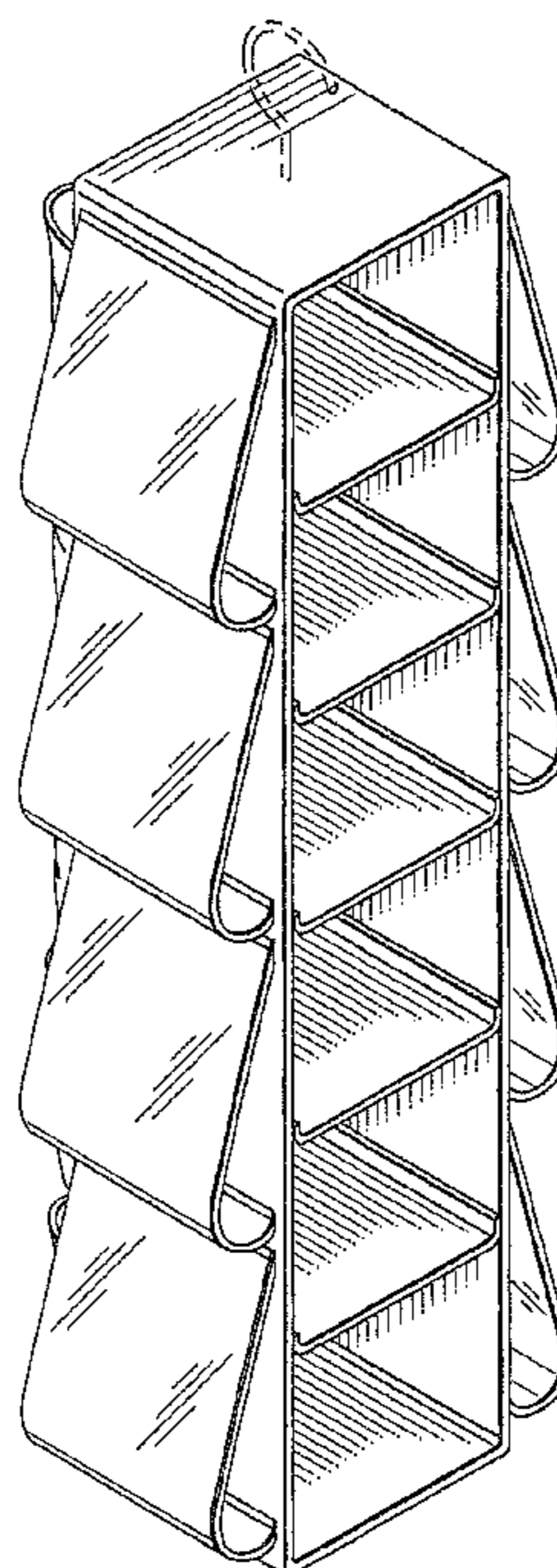


Fig. 1

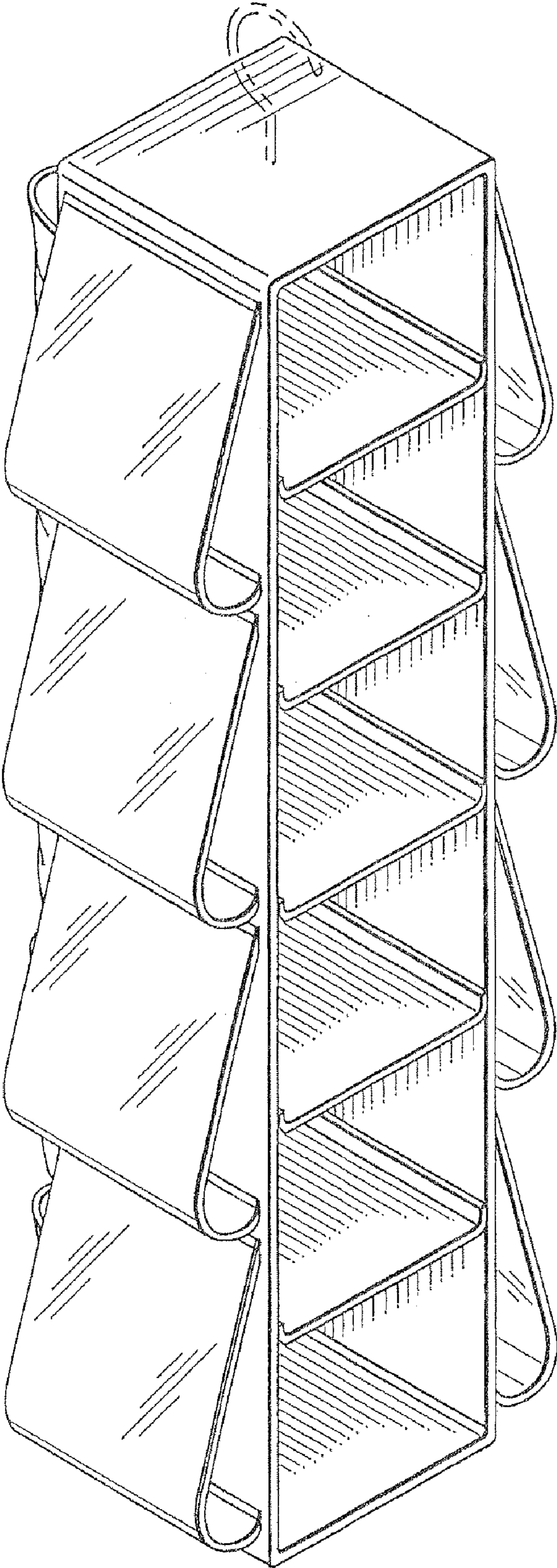


Fig. 2

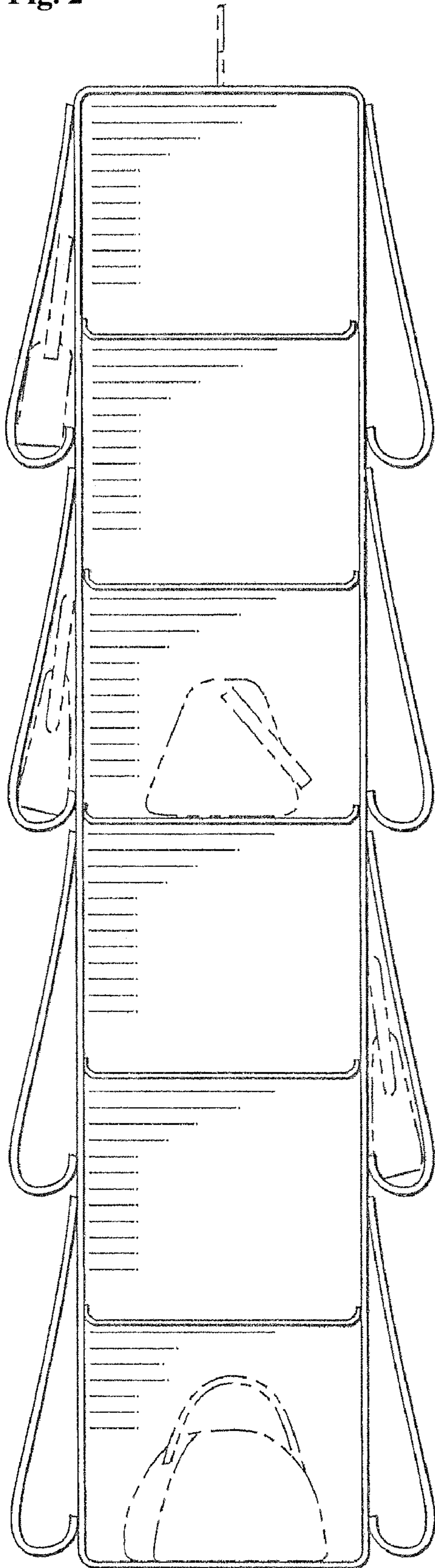


Fig. 3

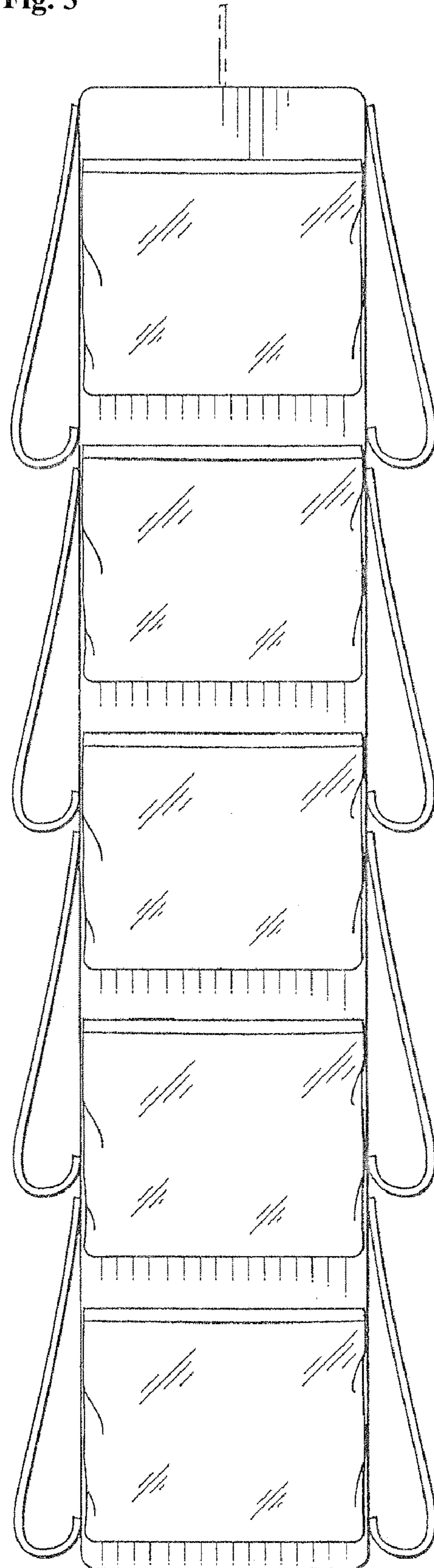


Fig. 4

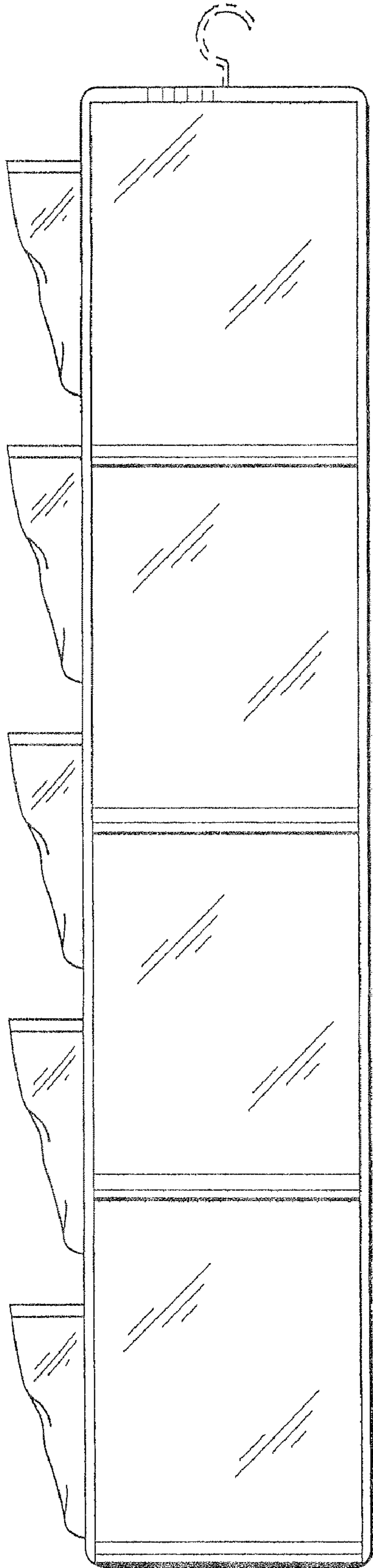


Fig. 5

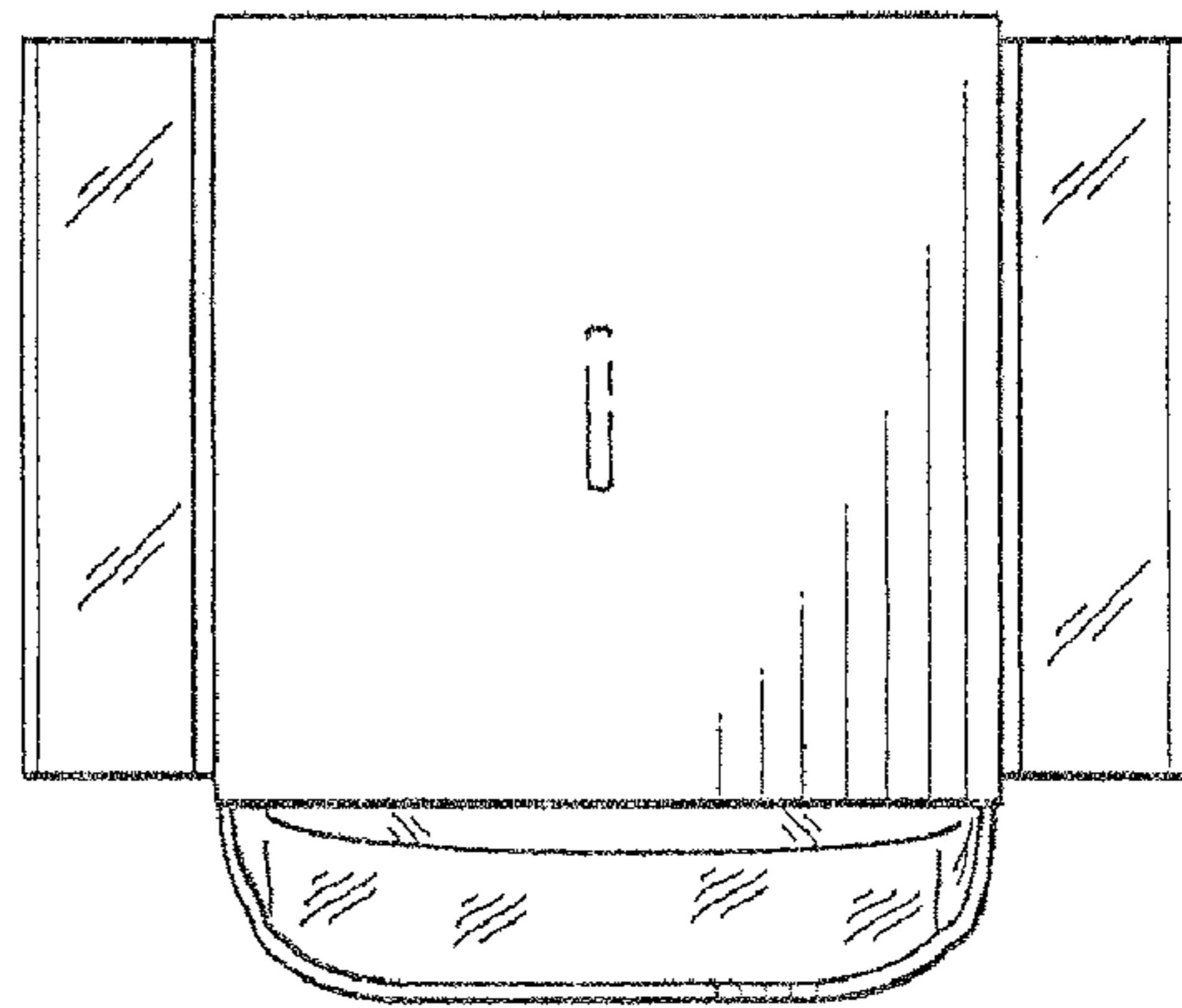


Fig. 6

