

US00D547566S

(12) **United States Design Patent**  
**Wilenius**

(10) **Patent No.:** **US D547,566 S**

(45) **Date of Patent:** **\*\* Jul. 31, 2007**

(54) **SHELF ORGANIZING SYSTEM**

(75) Inventor: **Jaakko Wilenius**, Helsinki (FI)

(73) Assignee: **Display Team Oy**, Espoo (FI)

(\*\*) Term: **14 Years**

(21) Appl. No.: **29/228,561**

(22) Filed: **Apr. 26, 2005**

(30) **Foreign Application Priority Data**

Nov. 3, 2004 (EM) ..... 000249750-0001

(51) **LOC (8) Cl.** ..... **06-04**

(52) **U.S. Cl.** ..... **D6/408**

(58) **Field of Classification Search** ..... D6/396,  
D6/408, 436, 449, 475, 476, 510-513, 515,  
D6/520, 523, 566; 211/13.1, 51, 59.2, 59.3;  
D19/87, 92; D3/304; 312/34.22; 222/544,  
222/556; 206/509, 557; D7/609

See application file for complete search history.

(56) **References Cited**

**U.S. PATENT DOCUMENTS**

613,631 A \* 11/1898 Horrocks ..... 211/51  
3,259,269 A \* 7/1966 Asenbauer ..... 206/509  
3,529,877 A \* 9/1970 Cassidy ..... 312/34.22  
5,012,936 A \* 5/1991 Crum ..... 211/59.3

5,111,942 A \* 5/1992 Bernardin ..... 211/59.3  
5,366,099 A \* 11/1994 Schmid ..... 211/59.3  
D369,708 S \* 5/1996 Breen ..... D6/515  
5,855,281 A \* 1/1999 Rabas ..... 211/59.3  
D407,588 S \* 4/1999 Padilla ..... D6/520  
D519,751 S \* 5/2006 Etter ..... D6/449

\* cited by examiner

*Primary Examiner*—Robert M. Spear

*Assistant Examiner*—Mary Ann Calabrese

(74) *Attorney, Agent, or Firm*—Buchanan Ingersoll & Rooney PC

(57) **CLAIM**

The ornamental design for a shelf organizing system, as shown and described.

**DESCRIPTION**

FIG. 1 is an exploded front perspective view of a shelf organizing system, showing my new design;

FIG. 2 is a side elevational view thereof;

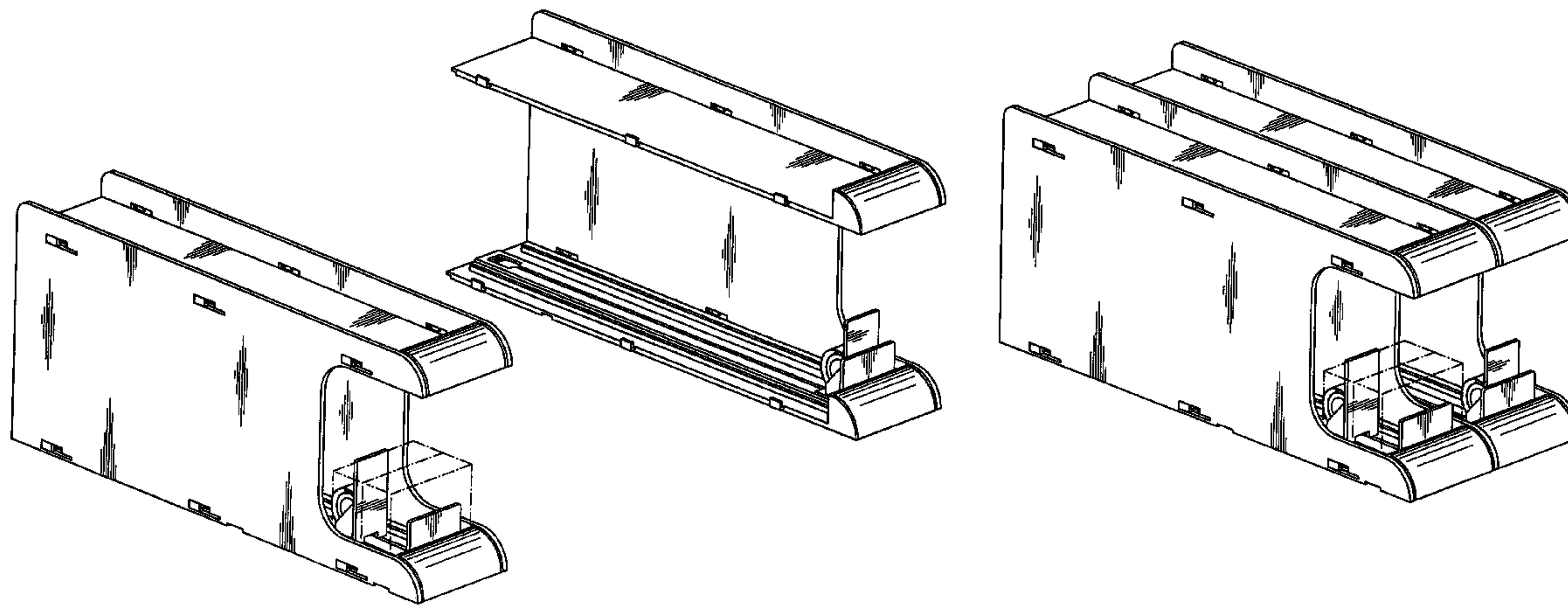
FIG. 3 is an exploded top view thereof;

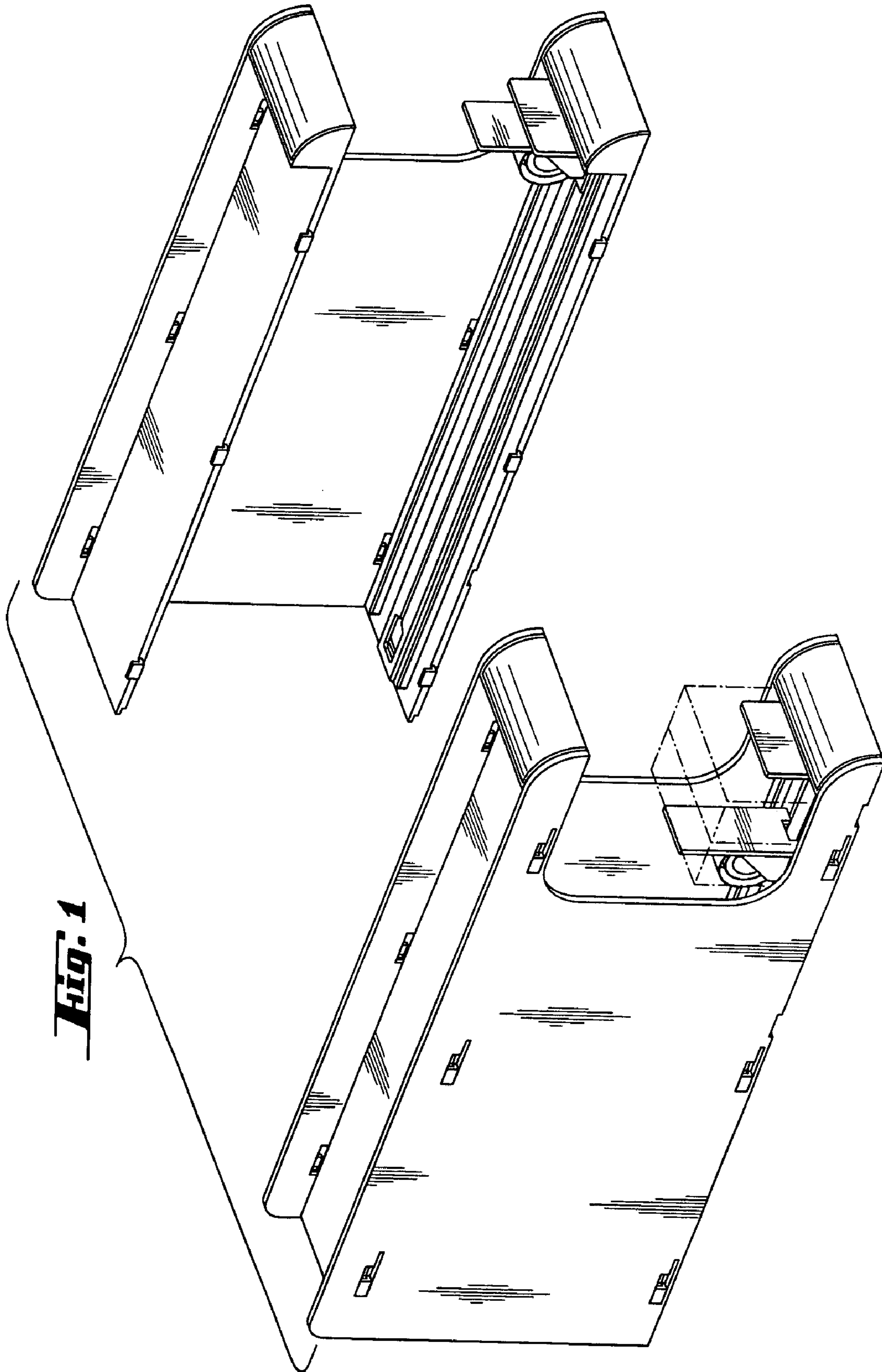
FIG. 4 is a front elevational view thereof; and,

FIG. 5 is a front perspective view thereof.

The broken line showing in the drawings represents environmental structure and forms no part of the claimed design.

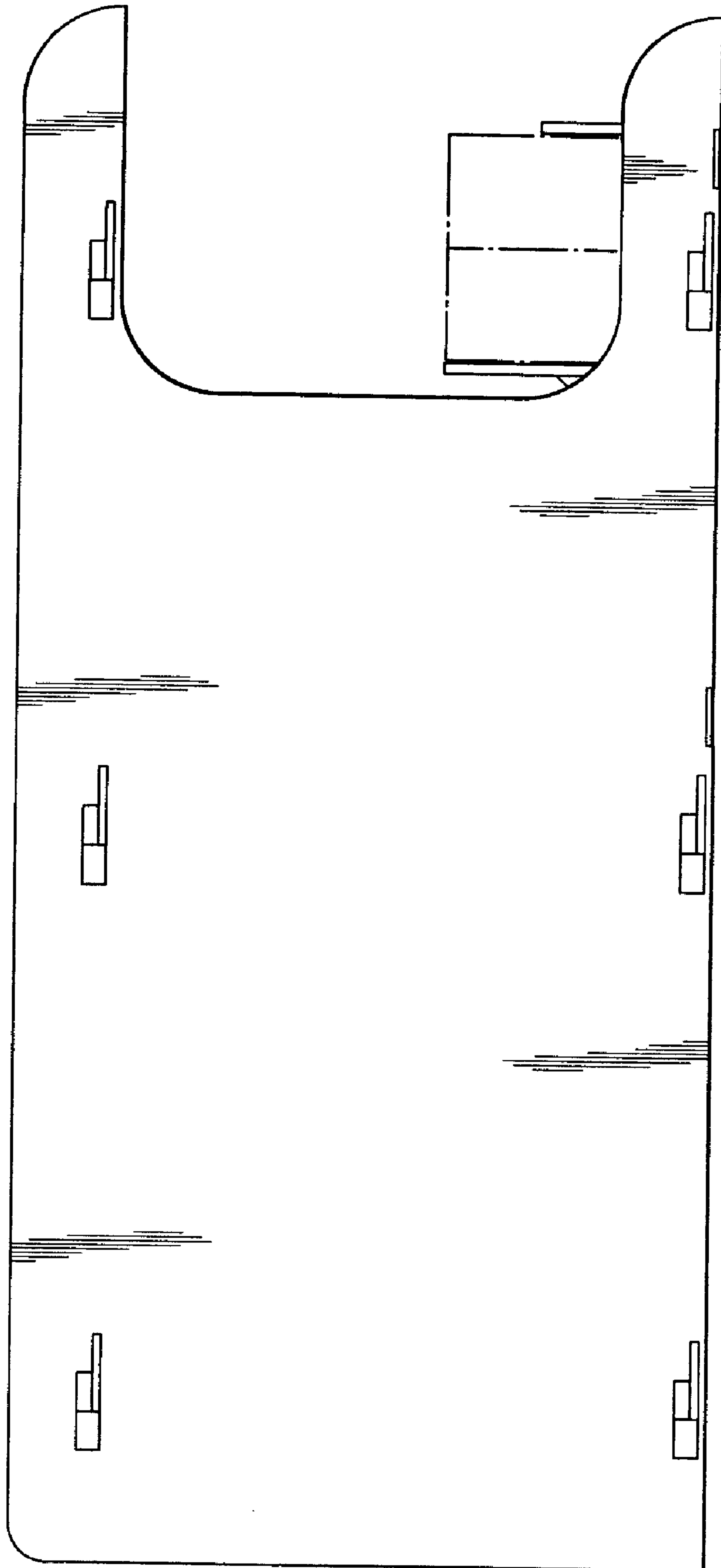
**1 Claim, 5 Drawing Sheets**



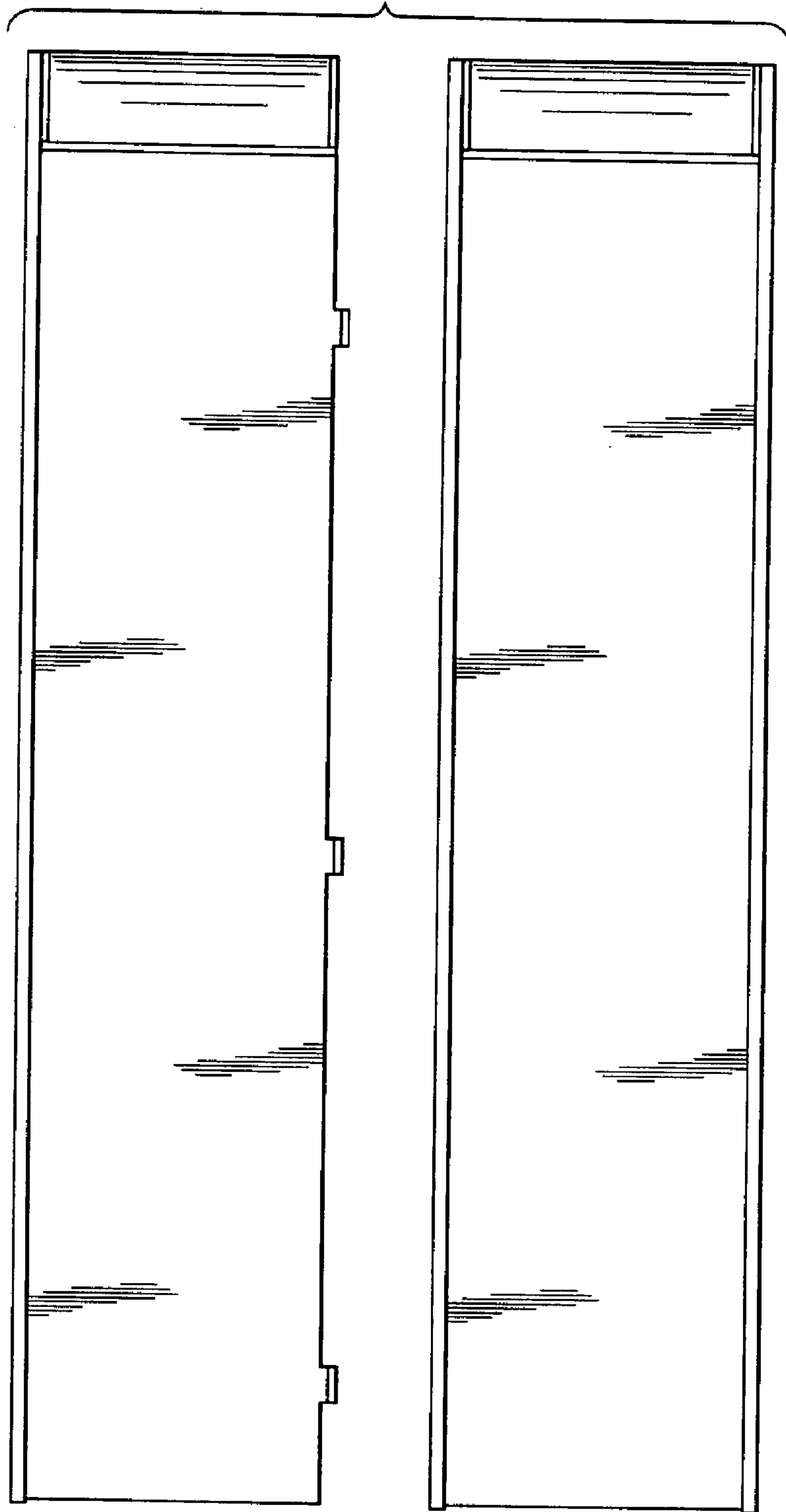


**Fig. 1**

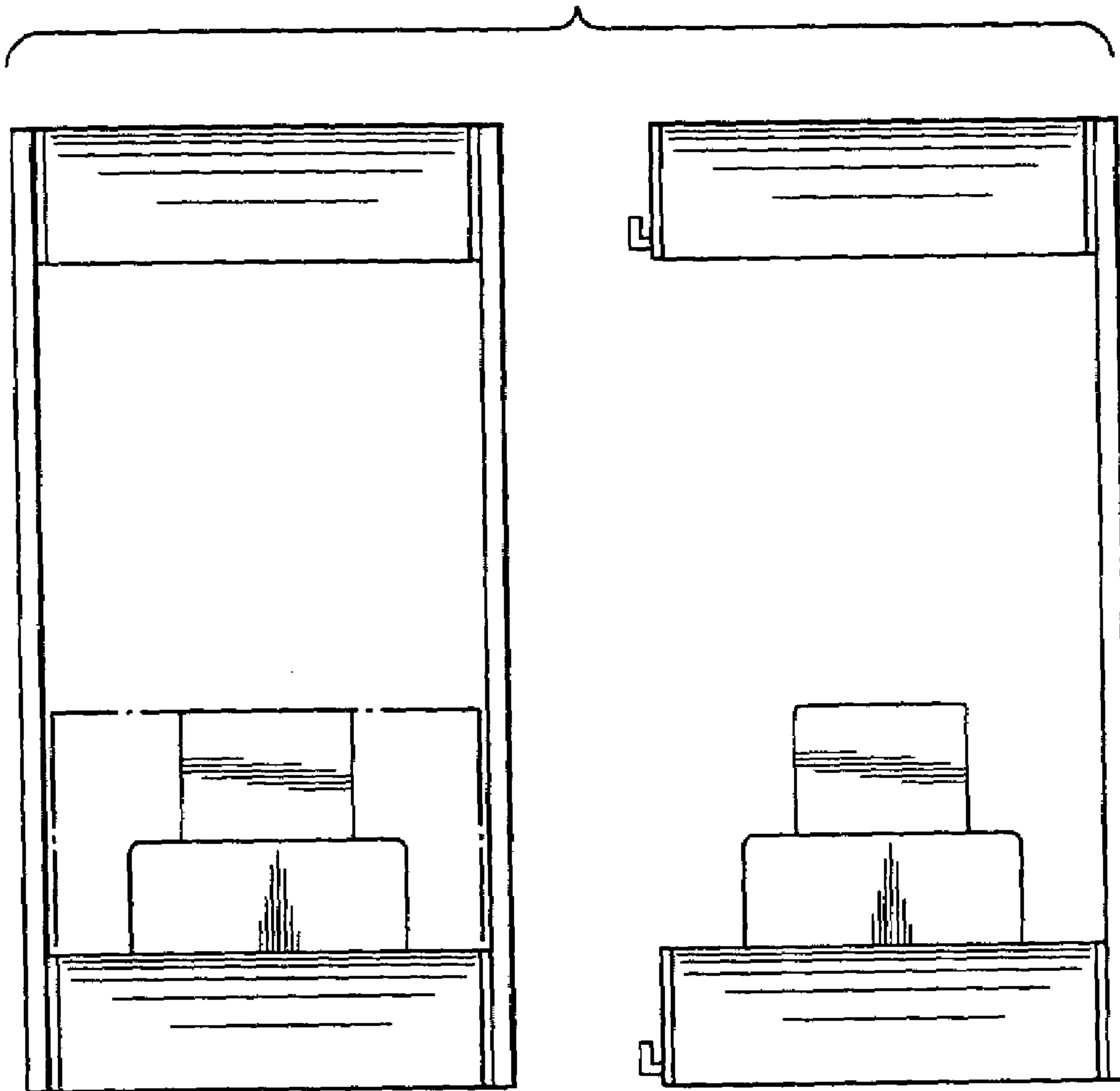
**FIG. 2**



**FIG. 3**



***Fig. 4***



**FIG. 5**

