



US00D547565S

(12) **United States Design Patent**
Peterson et al.

(10) **Patent No.:** **US D547,565 S**

(45) **Date of Patent:** **** Jul. 31, 2007**

(54) **PORTION OF A BED**

(75) Inventors: **Dale Peterson**, New York, NY (US);
Jonsara Ruth, Brooklyn, NY (US);
Stacy Mar, New York, NY (US)

(73) Assignee: **Martha Stewart Living Omnimedia, Inc.**, New York, NY (US)

(**) Term: **14 Years**

(21) Appl. No.: **29/265,645**

(22) Filed: **Sep. 5, 2006**

Related U.S. Application Data

(63) Continuation of application No. 29/210,455, filed on Jul. 30, 2004, now Pat. No. Des. 527,545.

(51) **LOC (8) Cl.** **06-06**

(52) **U.S. Cl.** **D6/395; D6/503**

(58) **Field of Classification Search** D6/382,
D6/385, 388-395, 505-508; 5/53.1, 907,
5/279.1, 280, 281, 2.1, 308

See application file for complete search history.

(56) **References Cited**

U.S. PATENT DOCUMENTS

D24,711 S * 9/1895 Wiessner D6/395
D26,449 S * 12/1896 Merritt D6/395

D26,855 S * 3/1897 Foster D6/395
D29,188 S * 8/1898 Weissner D6/508
D35,528 S * 12/1901 Barcalo D6/395
D369,255 S * 4/1996 Laslo D6/495
D527,545 S * 9/2006 Peterson et al. D6/395

* cited by examiner

Primary Examiner—Janice Seeger

(74) *Attorney, Agent, or Firm*—Kenyon & Kenyon LLP

(57) **CLAIM**

The ornamental design for a portion of a bed, as shown and described.

DESCRIPTION

FIG. 1 is a perspective view of an embodiment of a portion of a bed showing my new design;

FIG. 2 is a left right side view thereof;

FIG. 3 is a front view thereof;

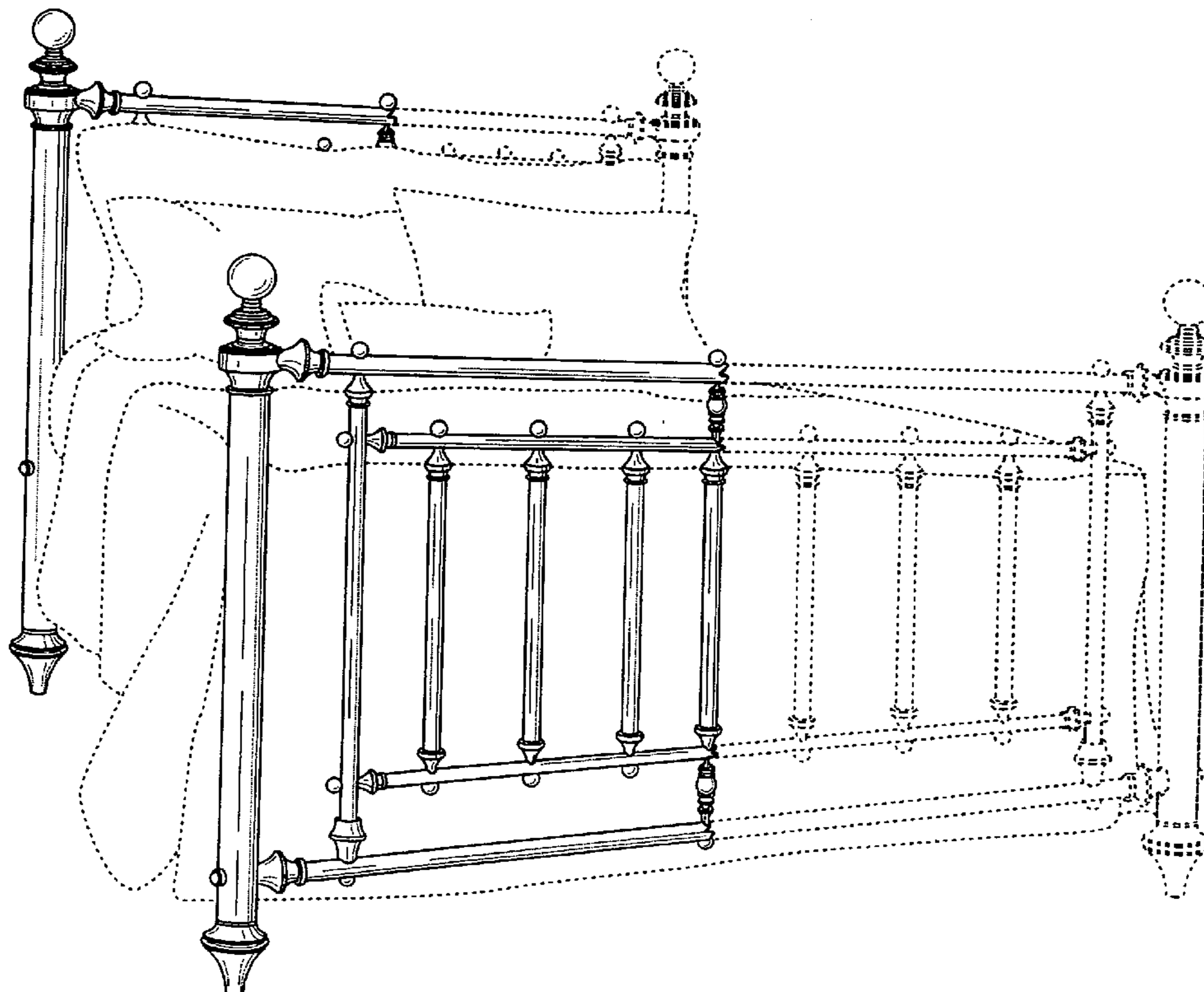
FIG. 4 is a top view thereof;

FIG. 5 is an enlarged fragmentary view of the leg thereof; and,

FIG. 6 is enlarged fragmentary view of the center post thereof.

The single broken line portions are for illustrative purposes only and form no part of the claimed design.

1 Claim, 6 Drawing Sheets



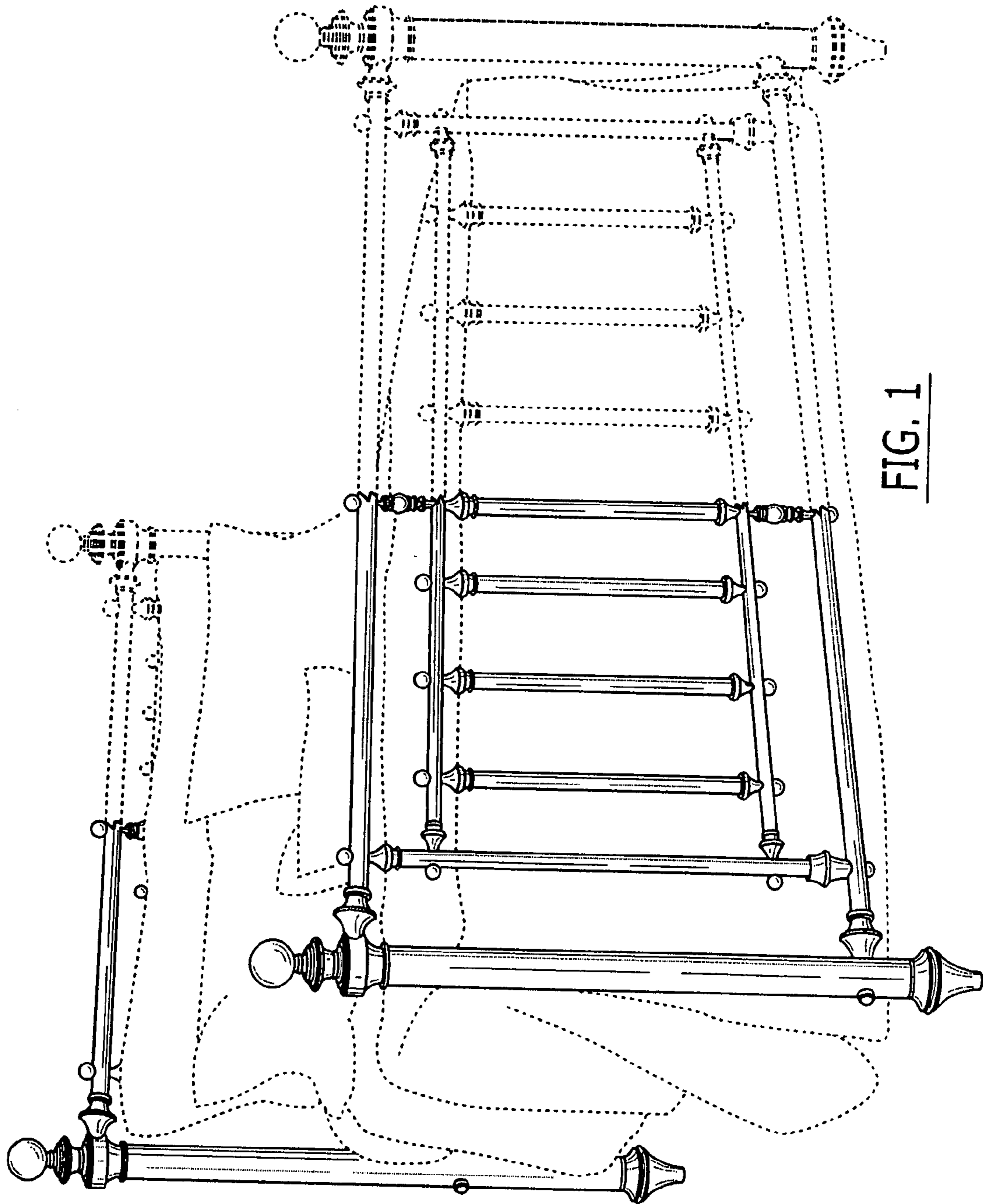


FIG. 1

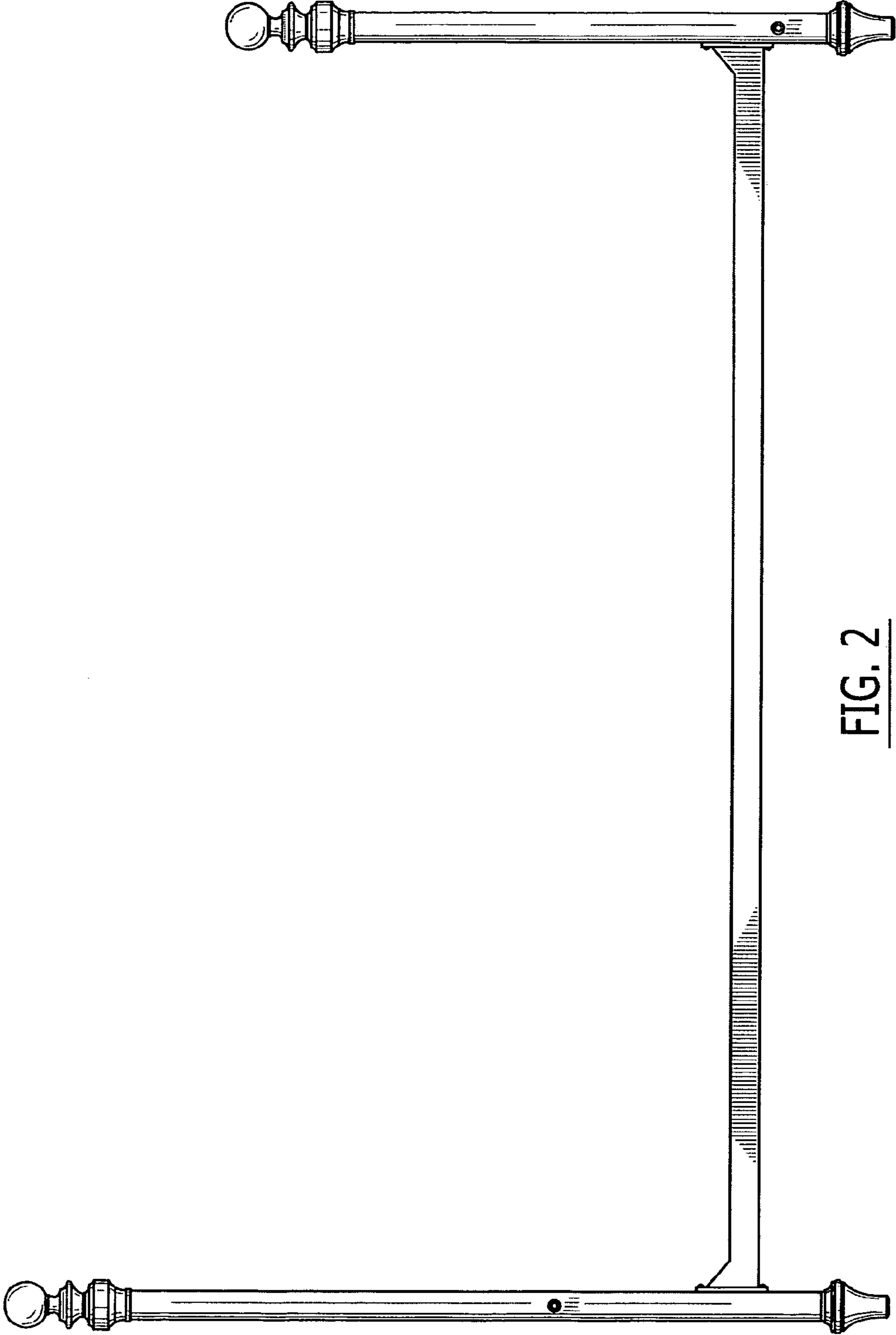


FIG. 2

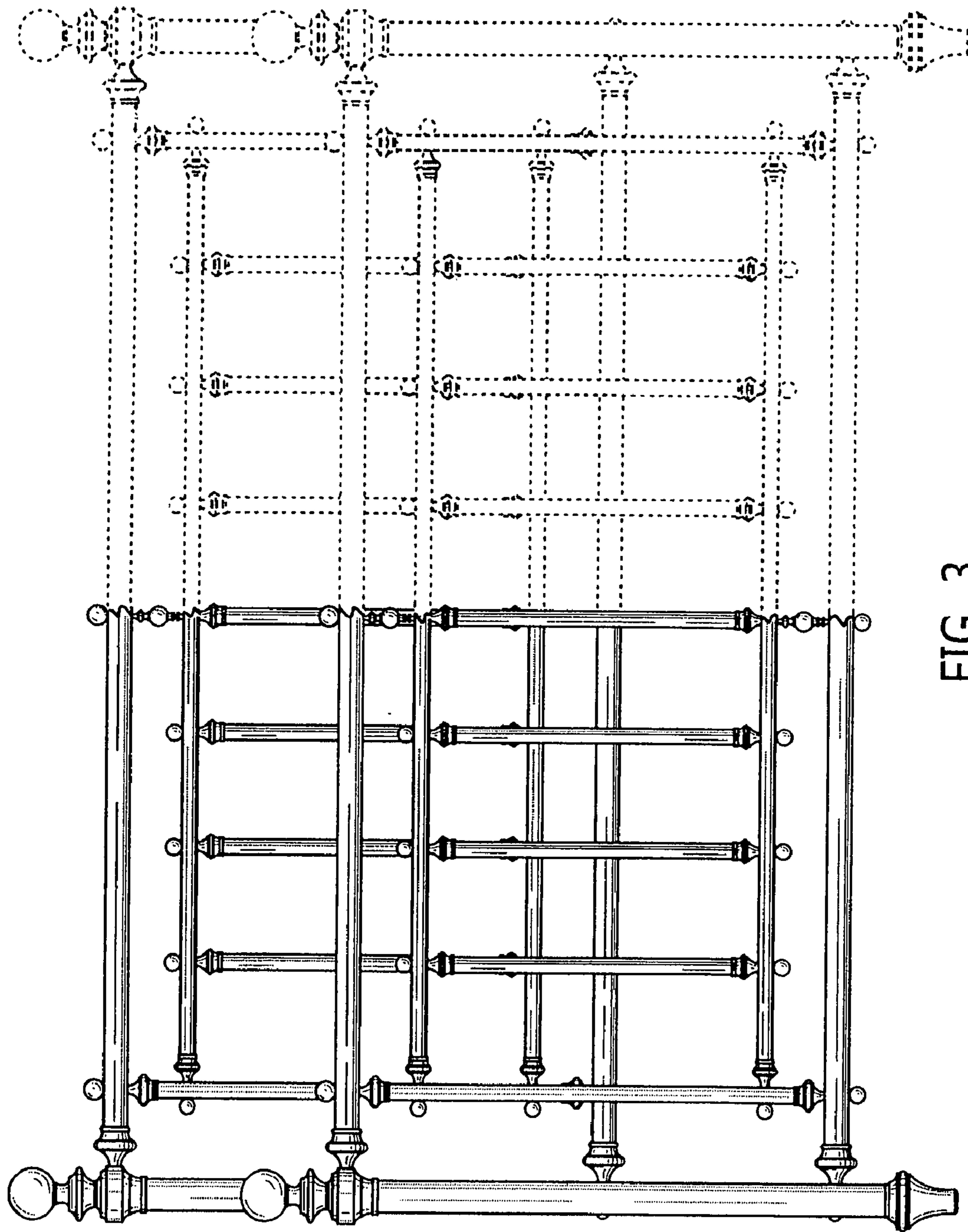


FIG. 3

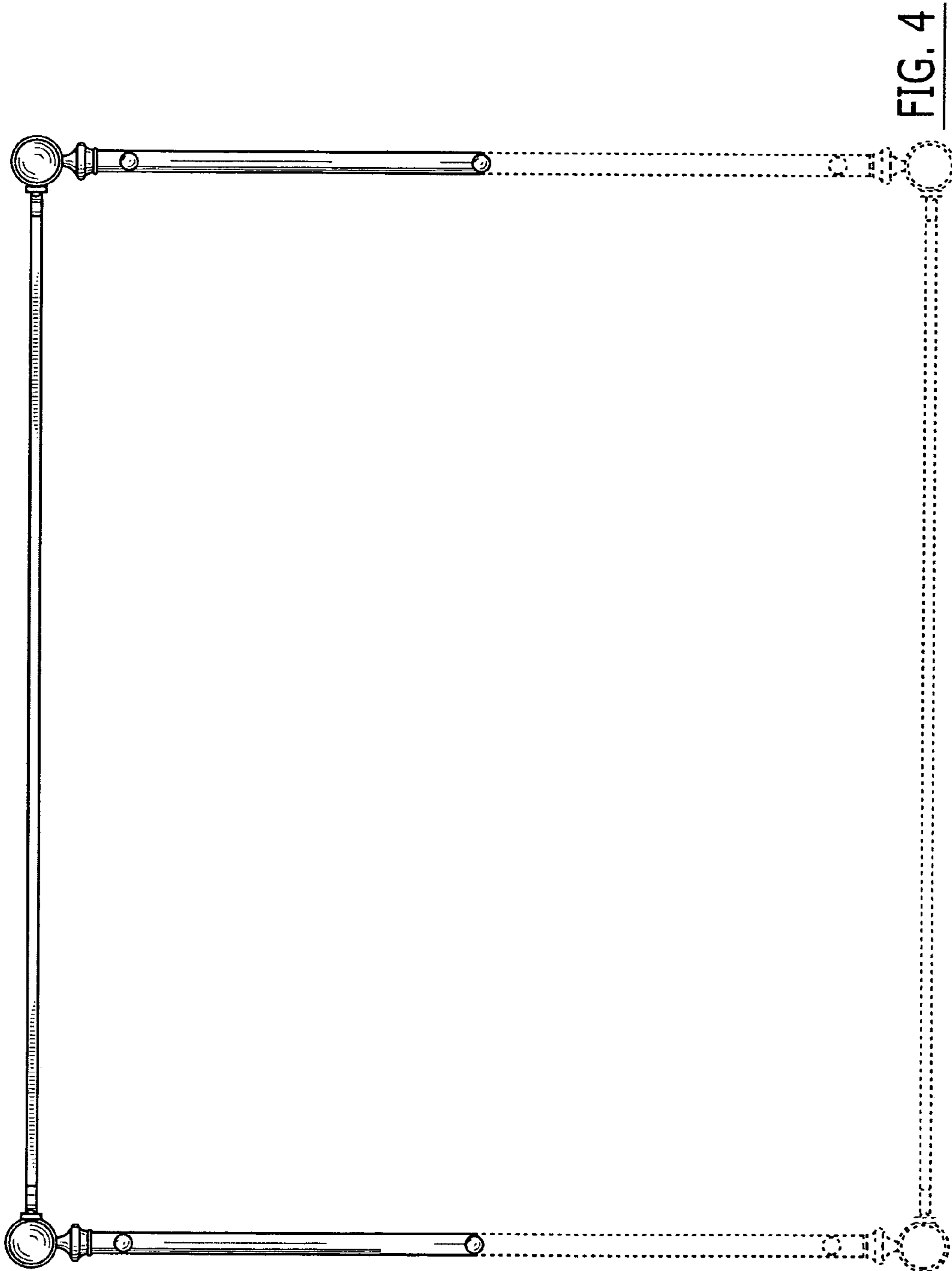


FIG. 4

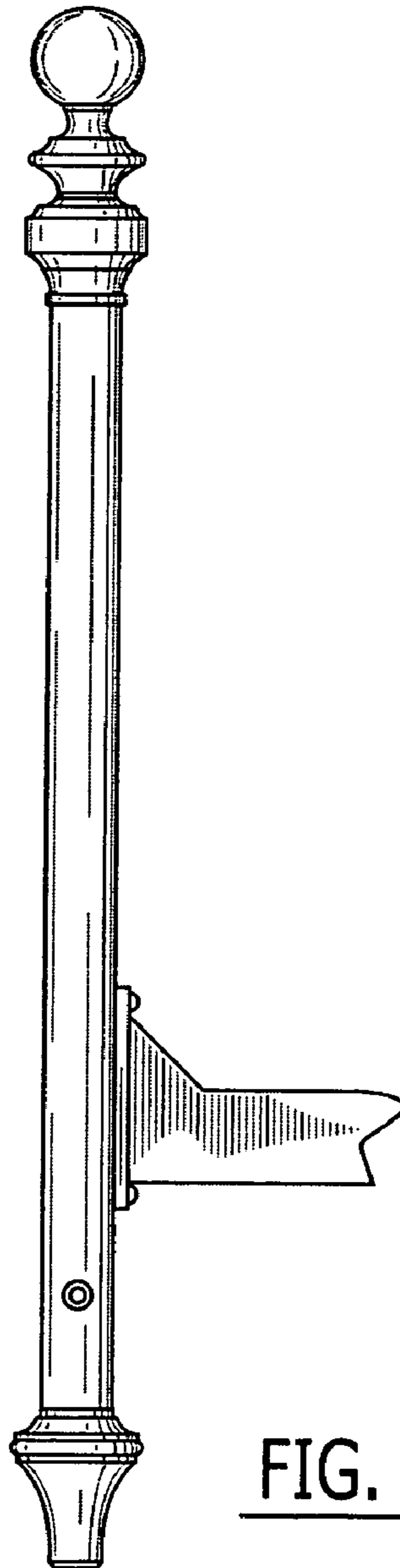


FIG. 5

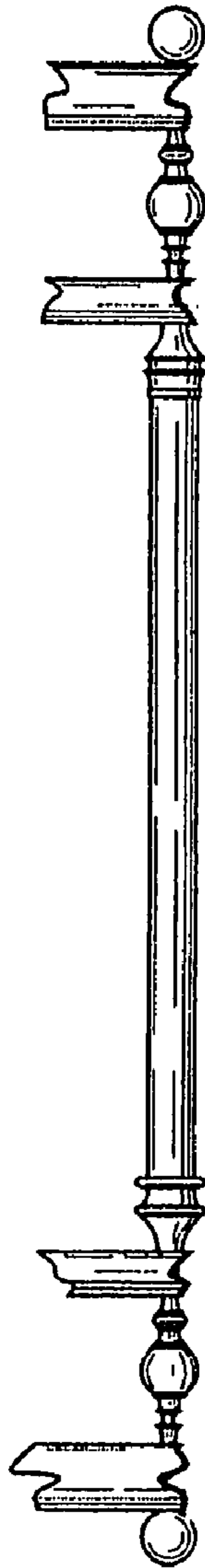


FIG. 6