



US00D547561S

(12) **United States Design Patent**
Thompson

(10) **Patent No.:** **US D547,561 S**

(45) **Date of Patent:** **** Jul. 31, 2007**

(54) **FURNITURE LEG**

D525,042 S * 7/2006 Everson et al. D6/379
D529,305 S * 10/2006 Domack et al. D6/370

(75) Inventor: **David W. Thompson**, New Albany, OH
(US)

* cited by examiner

(73) Assignee: **American Signature, Inc.**, Columbus,
OH (US)

Primary Examiner—Mimosa De
(74) *Attorney, Agent, or Firm*—Wood, Herron & Evans,
LLP.

(**) Term: **14 Years**

(57) **CLAIM**

(21) Appl. No.: **29/257,418**

The ornamental design for a furniture leg, as shown and
described.

(22) Filed: **Apr. 4, 2006**

(51) **LOC (8) Cl.** **06-01**

DESCRIPTION

(52) **U.S. Cl.** **D6/370; D6/379; D6/380**

FIG. 1 is a front view of a furniture leg showing my new
design.

(58) **Field of Classification Search** D6/334–336,
D6/358, 369, 370, 374, 379, 380, 381, 491,
D6/500–502; 297/445.1, 446.1

FIG. 2 is an enlarged view thereof.

See application file for complete search history.

FIG. 3 is a cross-sectional view taken along line 3—3 of
FIG. 2, depicting the exterior shape thereof.

(56) **References Cited**

FIG. 4 is a top plan view thereof; and,

U.S. PATENT DOCUMENTS

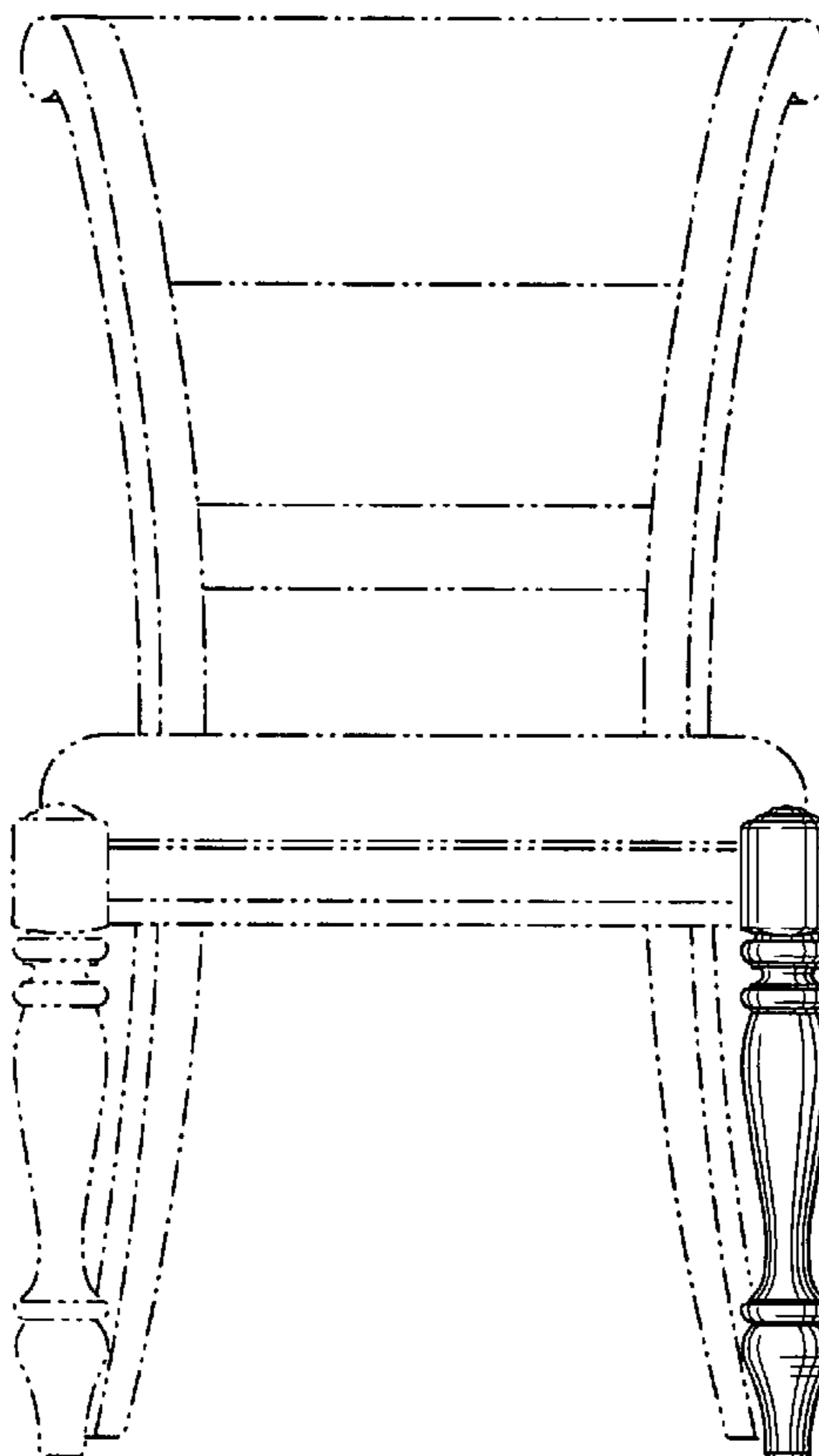
FIG. 5 is a bottom plan view thereof.

D66,698 S *	2/1925	McCargar	D6/379
D103,714 S *	3/1937	Davis et al.	D6/379
D242,308 S *	11/1976	Adkinson	D6/379
D376,486 S *	12/1996	Lenger	D6/380
D377,565 S *	1/1997	Lenger	D6/358
D431,120 S *	9/2000	Hazen et al.	D6/370
D436,261 S *	1/2001	Mohundro	D6/370
D519,741 S *	5/2006	Katz et al.	D6/370

The right-side, left-side and rear elevational views thereof
are identical to FIG. 2.

The broken lines are included only to show one possible
environment of my design, and form no part of the claimed
design.

1 Claim, 1 Drawing Sheet



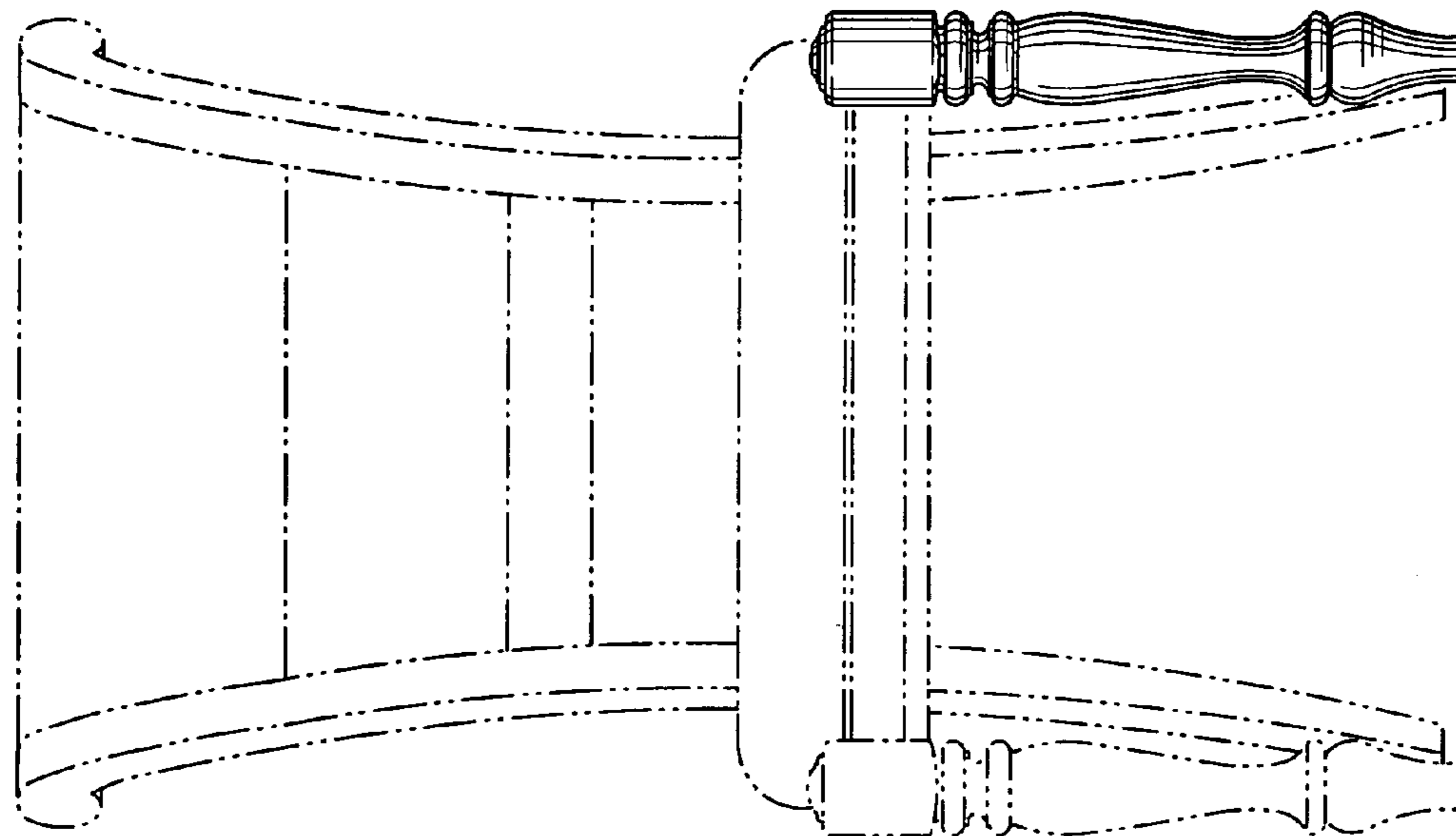


FIG. 1



FIG. 2

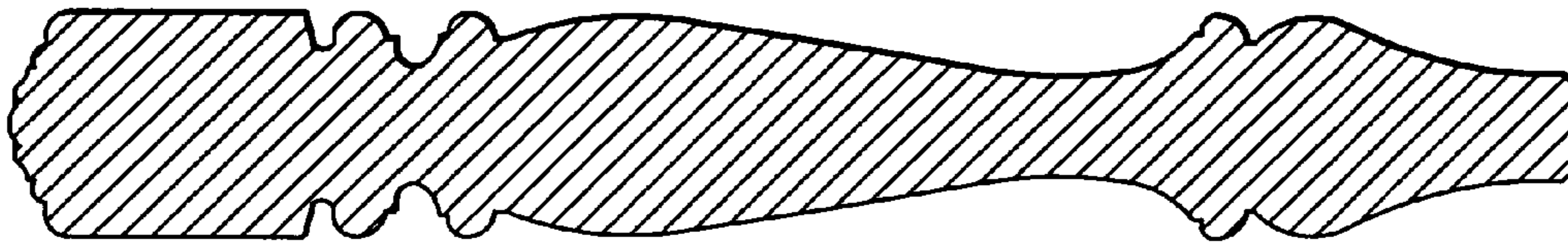


FIG. 3

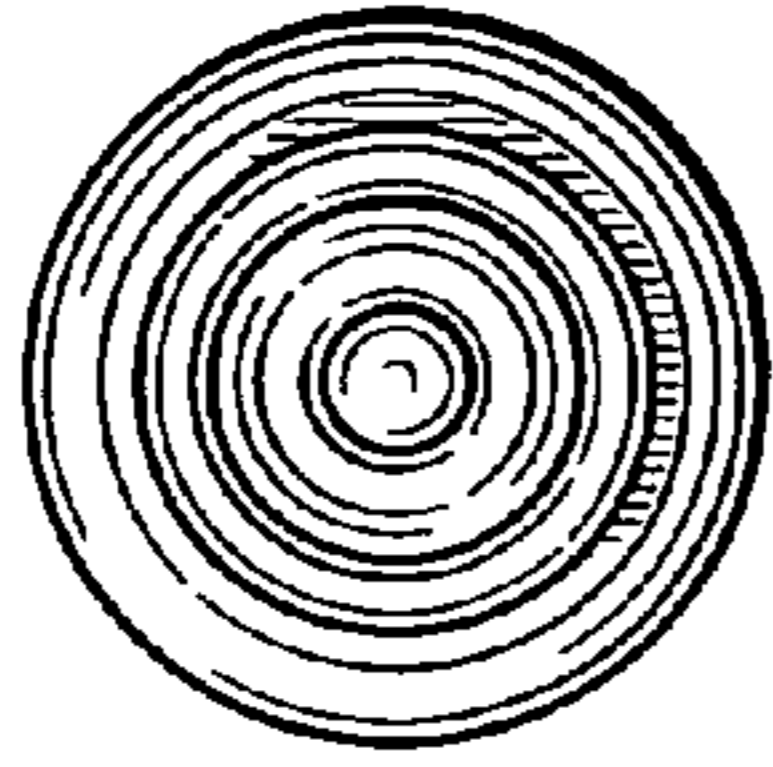


FIG. 4

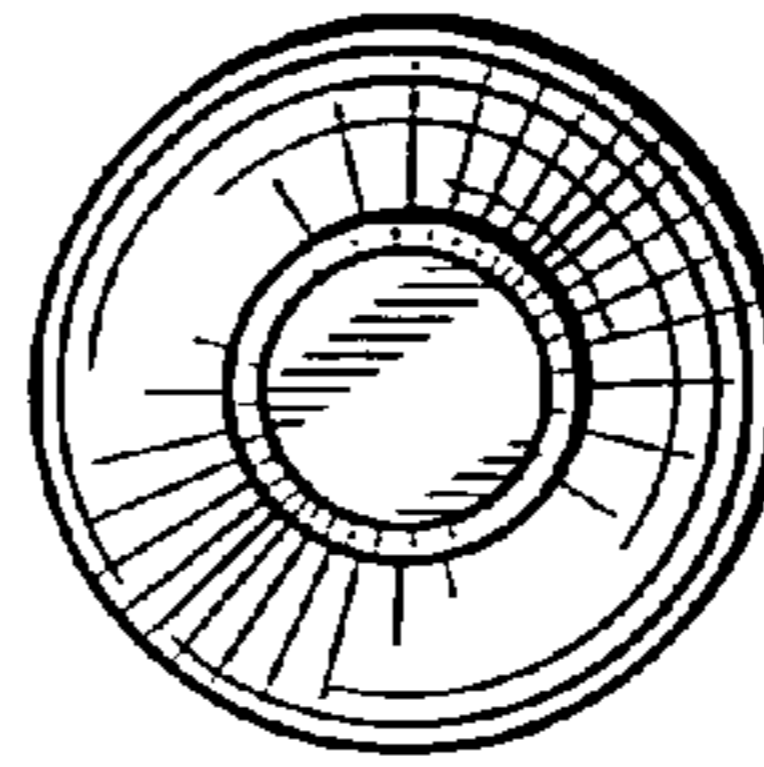


FIG. 5