

US00D547559S

(12) **United States Design Patent**
Ellacott

(10) **Patent No.:** **US D547,559 S**

(45) **Date of Patent:** **** Jul. 31, 2007**

(54) **SUN LOUNGER**

(75) Inventor: **John Ellacott**, Paignton (GB)

(73) Assignee: **Seladis Limited** (GB)

(**) Term: **14 Years**

(21) Appl. No.: **29/259,567**

(22) Filed: **May 11, 2006**

(30) **Foreign Application Priority Data**

Dec. 28, 2005 (EM) 000458468

(51) **LOC (8) Cl.** **06-01**

(52) **U.S. Cl.** **D6/361**

(58) **Field of Classification Search** D6/334-336,
D6/361, 364, 367, 368, 370, 375, 500-502;
5/622, 624; 135/87, 96; 297/184.1, 184.15,
297/344.22, 423.1, 452.12

See application file for complete search history.

(56) **References Cited**

U.S. PATENT DOCUMENTS

- D201,750 S * 7/1965 Melchior D6/335
- D233,493 S * 11/1974 Tuttle D6/361
- 4,295,481 A * 10/1981 Gee 135/96
- 4,544,202 A * 10/1985 Keaton 297/344.22
- D294,435 S * 3/1988 Massonnet D6/368
- D304,394 S * 11/1989 Harmer D6/361
- 5,000,210 A * 3/1991 Worthington, Jr. 135/96
- 5,013,085 A * 5/1991 Craig 297/184.1
- D334,486 S * 4/1993 Brown et al. D6/361
- D342,838 S * 1/1994 Peterson D6/361

- D350,240 S * 9/1994 Carstarphen D6/361
- D358,497 S * 5/1995 Jones et al. D6/361
- 6,739,006 B2 * 5/2004 Borders et al. 5/622
- 2002/0170115 A1 * 11/2002 Borderd et al. 5/624
- 2006/0054207 A1 * 3/2006 Wootliff 135/96

* cited by examiner

Primary Examiner—Mimosa De

(74) *Attorney, Agent, or Firm*—Woodard, Emhardt,
Moriarty, McNett & Henry LLP

(57) **CLAIM**

I claim the ornamental design for a sun lounger, as shown and described.

DESCRIPTION

FIG. 1 is a right side view of the sun lounger showing my new design, the left side view being a mirror image of the right side view;

FIG. 2 is a top plan view thereof;

FIG. 3 is a front view thereof;

FIG. 4 is a rear view thereof;

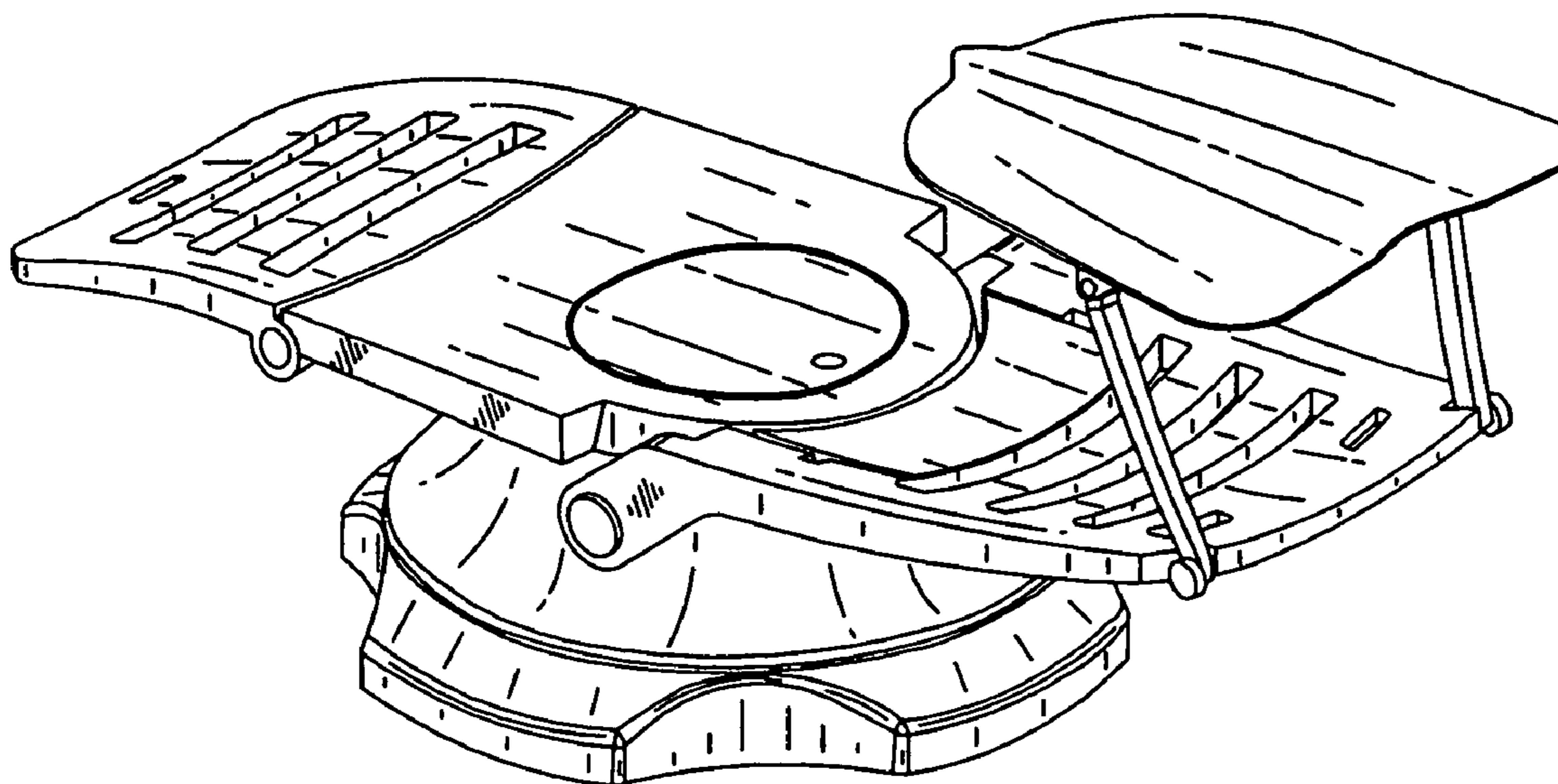
FIG. 5 is a front perspective view thereof;

FIG. 6 is a rear perspective view thereof;

FIG. 7 is an underside view thereof; and,

FIG. 8 is a right side view of the sun lounger showing a foot rest, a back rest and a sunshade of the sun lounger in different positions than the position of the foot rest, the back rest and the sunshade shown in the other Figures.

1 Claim, 4 Drawing Sheets



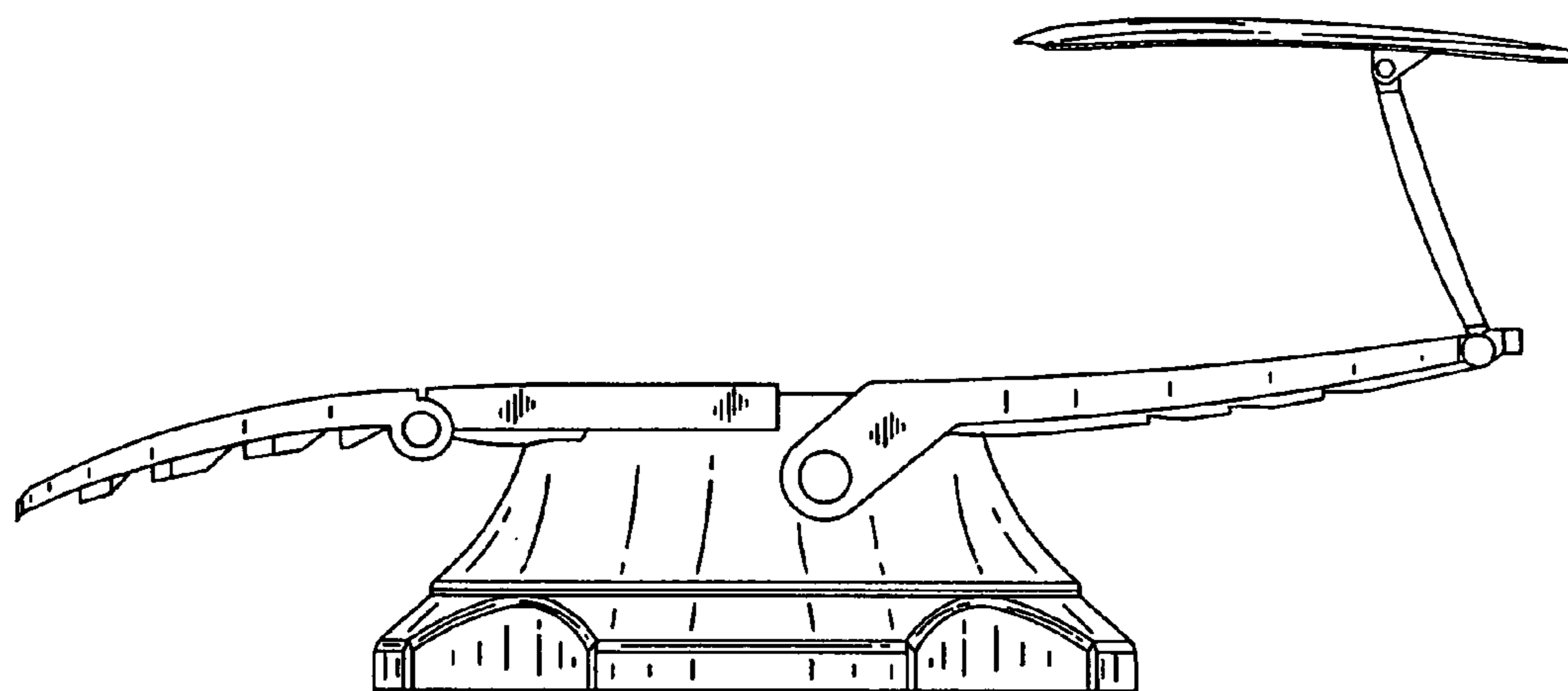


FIG. 1

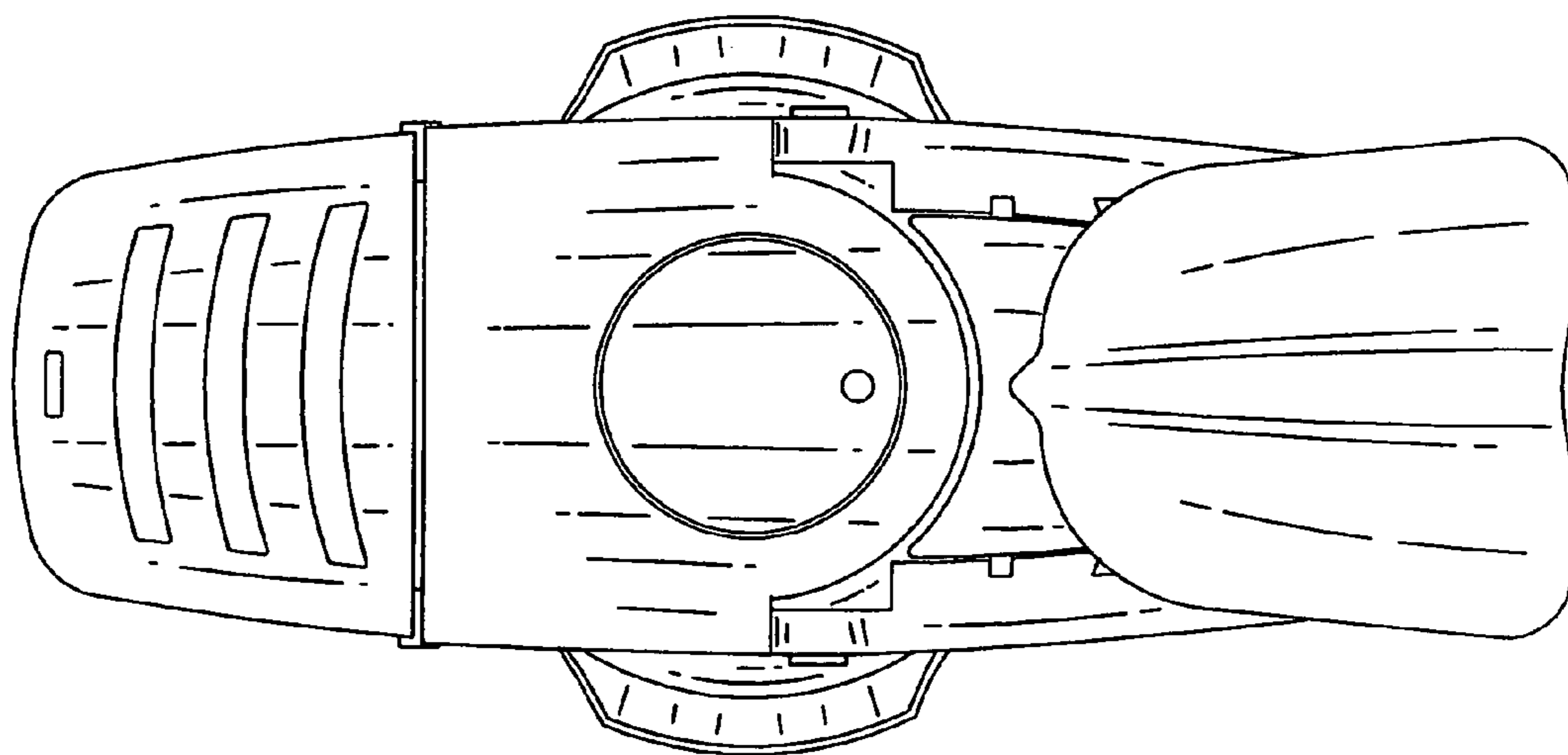


FIG. 2

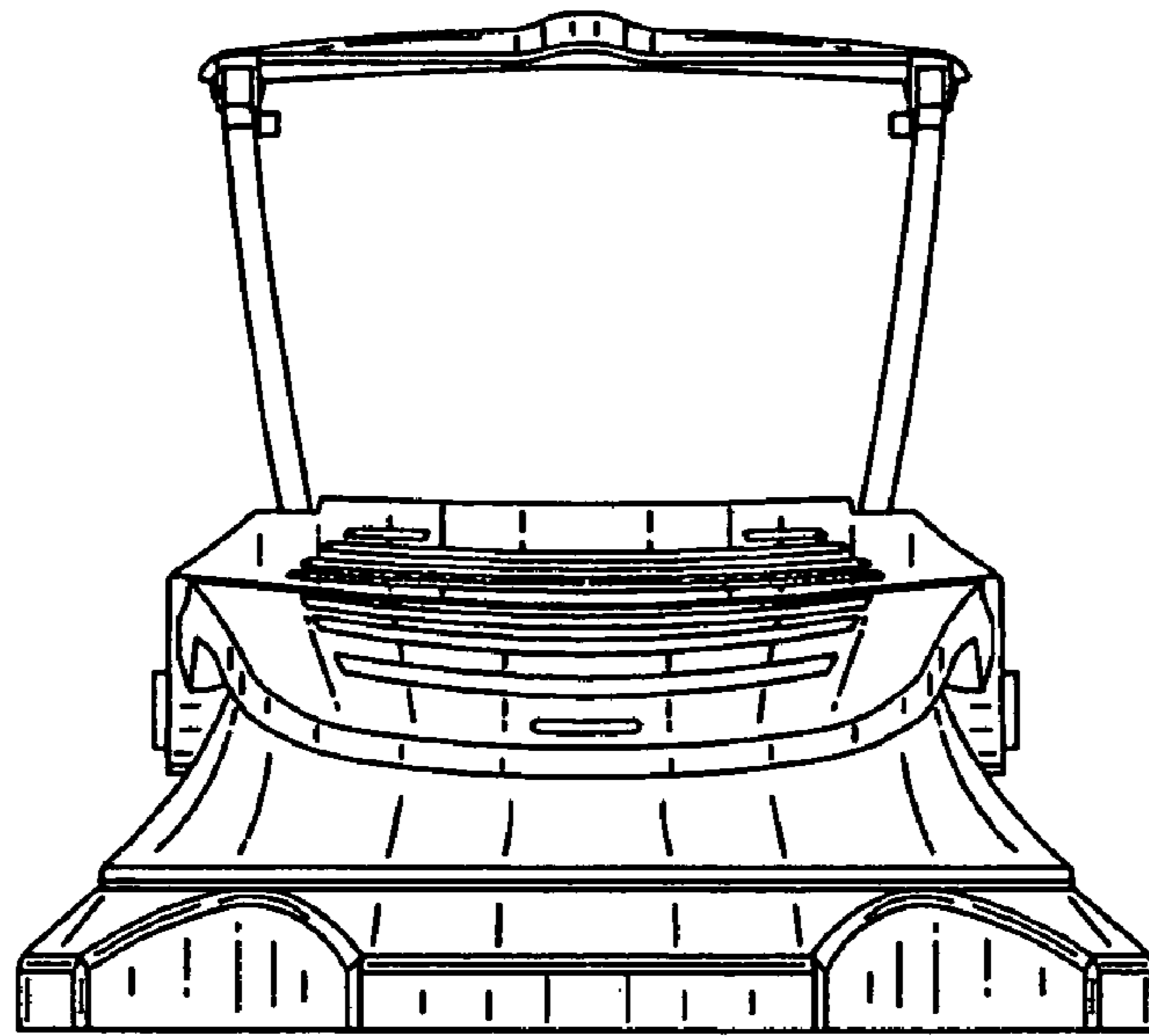


FIG.3

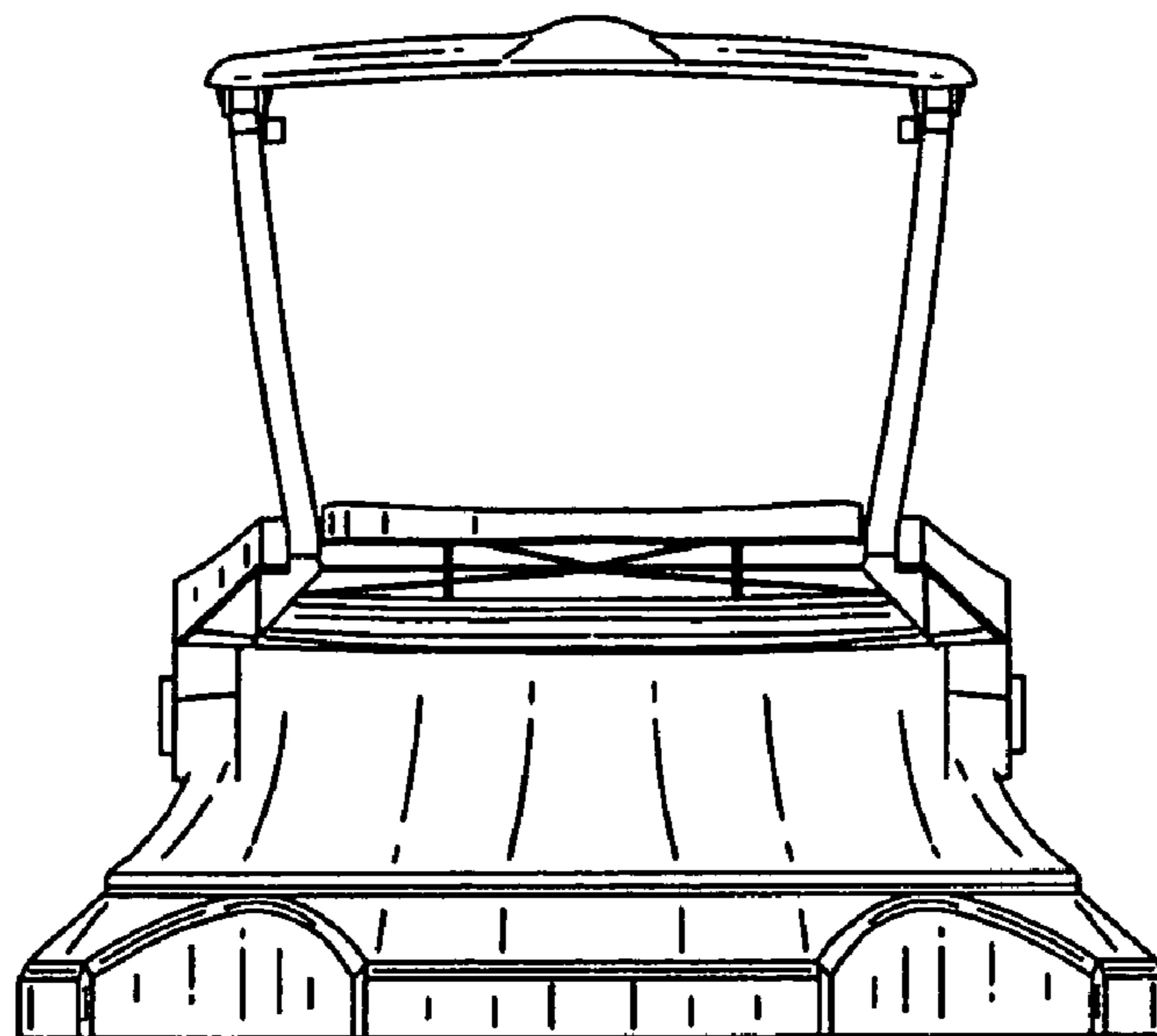


FIG.4

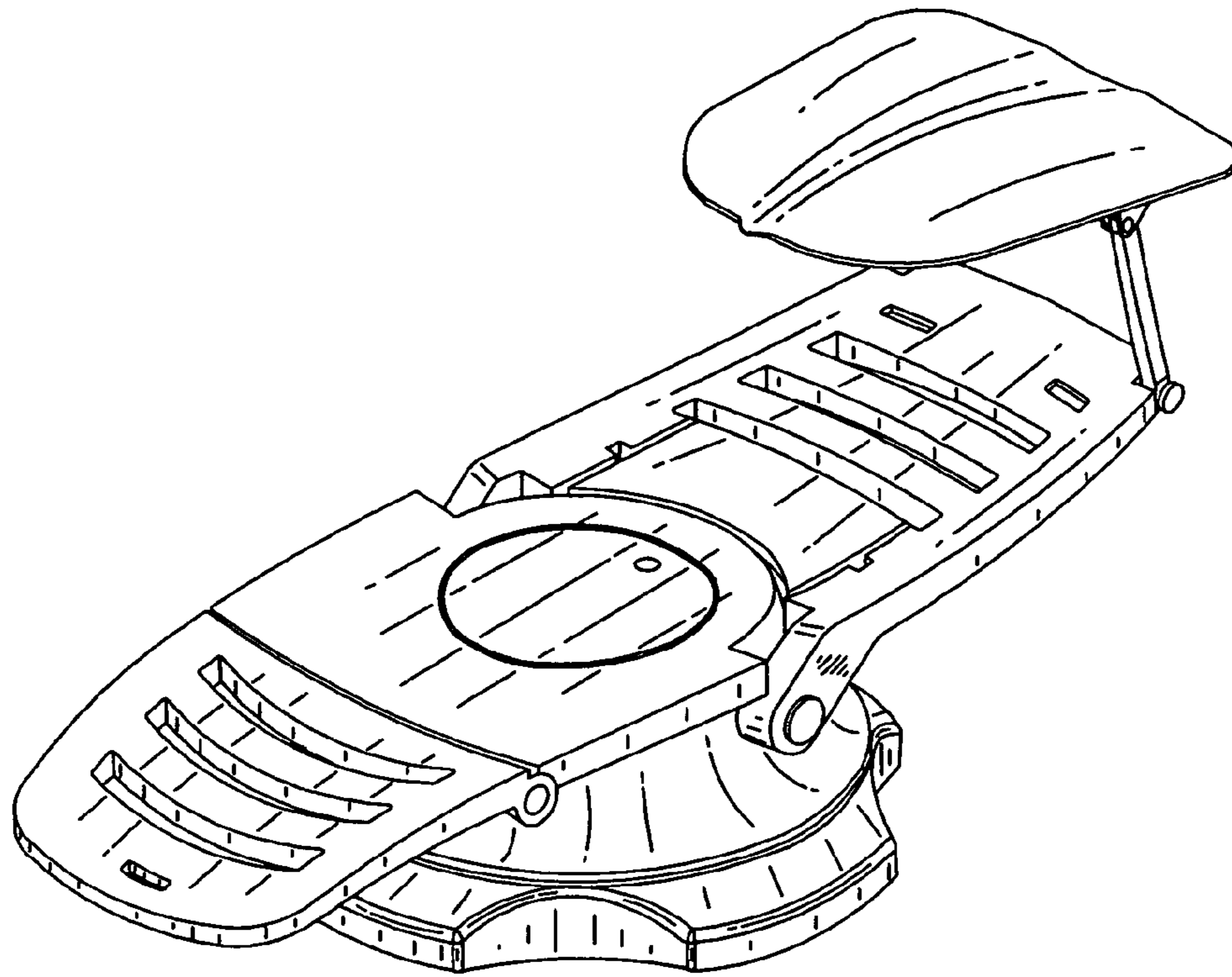


FIG. 5

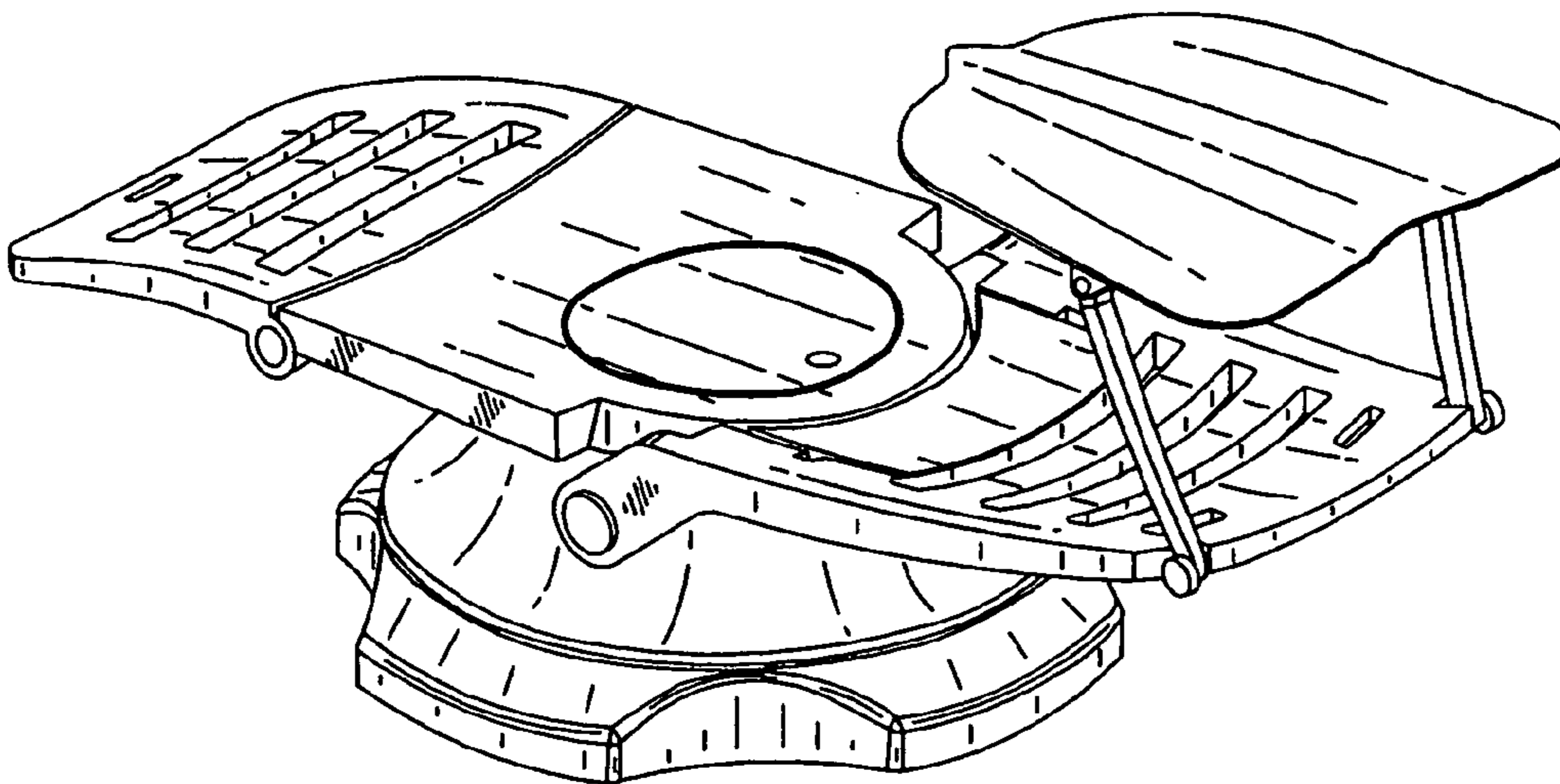


FIG. 6

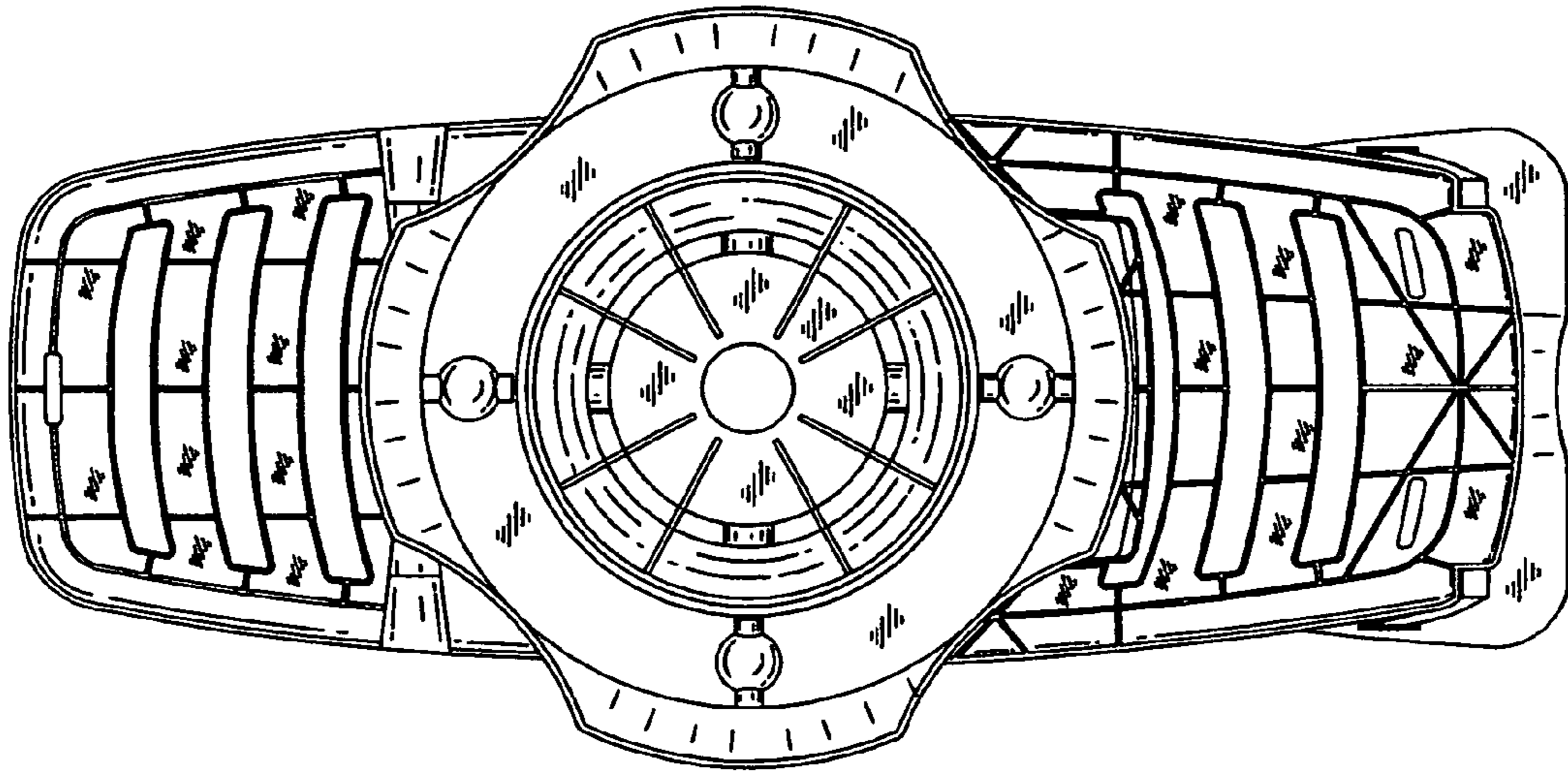


FIG. 7

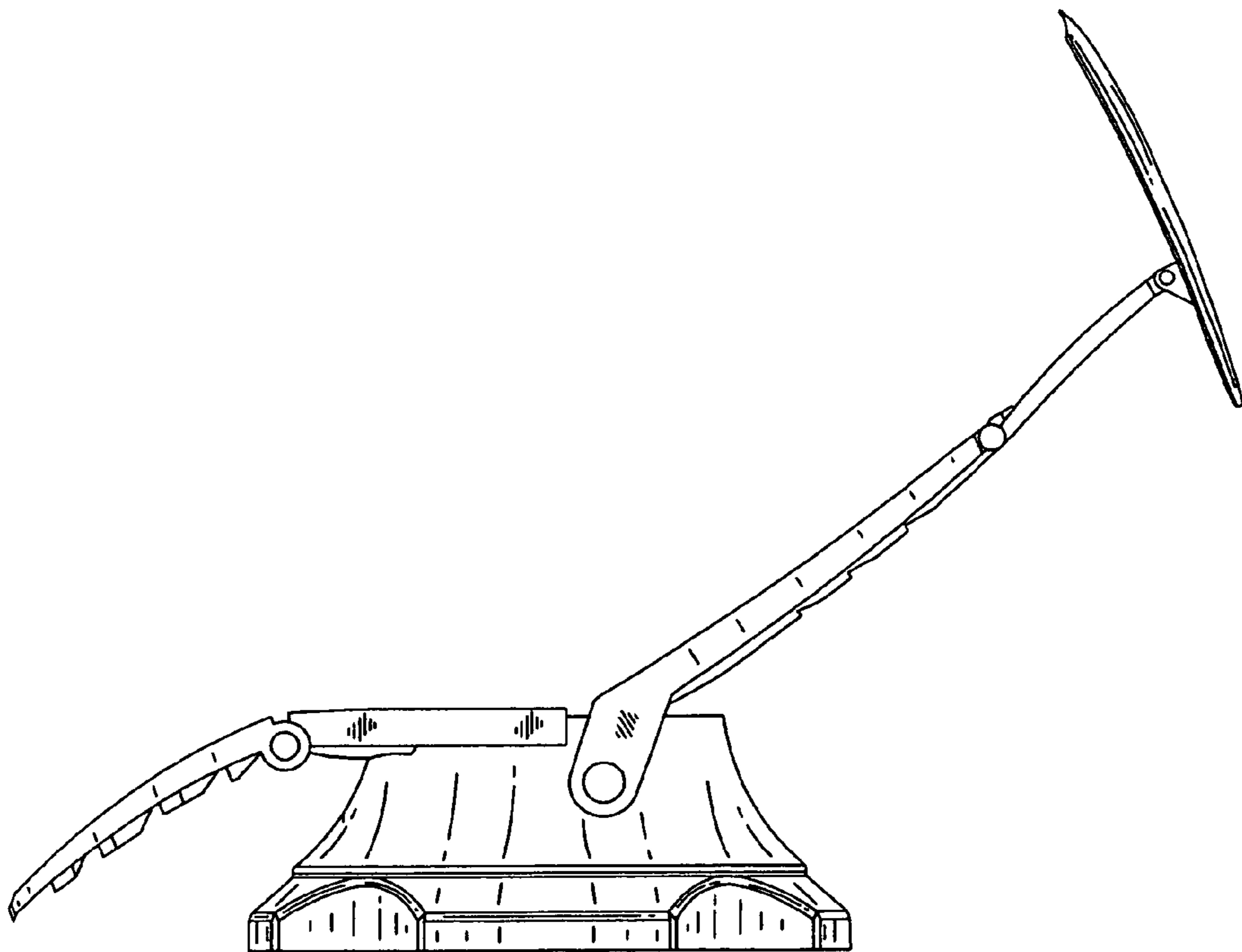


FIG. 8