

US00D547557S

(12) **United States Design Patent** (10) **Patent No.:** **US D547,557 S**
Wu (45) **Date of Patent:** **** Jul. 31, 2007**

(54) **GARMENT SIZER RING**

(76) Inventor: **Raymond Wu**, 12640 Belinda Ct.,
Lynwood, CA (US) 90262

(**) Term: **14 Years**

(21) Appl. No.: **29/254,106**

(22) Filed: **Feb. 17, 2006**

(51) **LOC (8) Cl.** **06-08**

(52) **U.S. Cl.** **D6/328**

(58) **Field of Classification Search** D6/315,
D6/316, 318, 319, 326, 328; 223/85-98,
223/DIG. 2, 4; D9/414, 428; 211/1, 6, 7,
211/13.1, 85.3, 183; D7/932.1; 24/455;
D21/385; D11/147; D25/47; D19/65; 361/807
See application file for complete search history.

(56) **References Cited**

U.S. PATENT DOCUMENTS

D282,982 S *	3/1986	Kodet	D6/328
D348,415 S *	7/1994	Domurat	D11/147
5,566,054 A *	10/1996	Sato et al.	361/807
D402,374 S *	12/1998	Kinder	D25/47
D433,154 S *	10/2000	Fisk	D25/47
D451,338 S *	12/2001	Fradkin	D7/392.1
D492,728 S *	7/2004	Nuttall et al.	D19/65
D510,198 S *	10/2005	Willardson	D6/328

* cited by examiner

Primary Examiner—Stella Reid
Assistant Examiner—Shanda C. Hill

(74) *Attorney, Agent, or Firm*—Troxell Law Office, PLLC

(57) **CLAIM**

The ornamental design for the garment sizer ring, as shown and described.

DESCRIPTION

FIG. 1 is a perspective view of the garment sizer ring showing the new design;

FIG. 2 is a front view of the new design;

FIG. 3 is a rear view of the new design;

FIG. 4 is a left view of the new design;

FIG. 5 is a right view of the new design;

FIG. 6 is a top view of the new design;

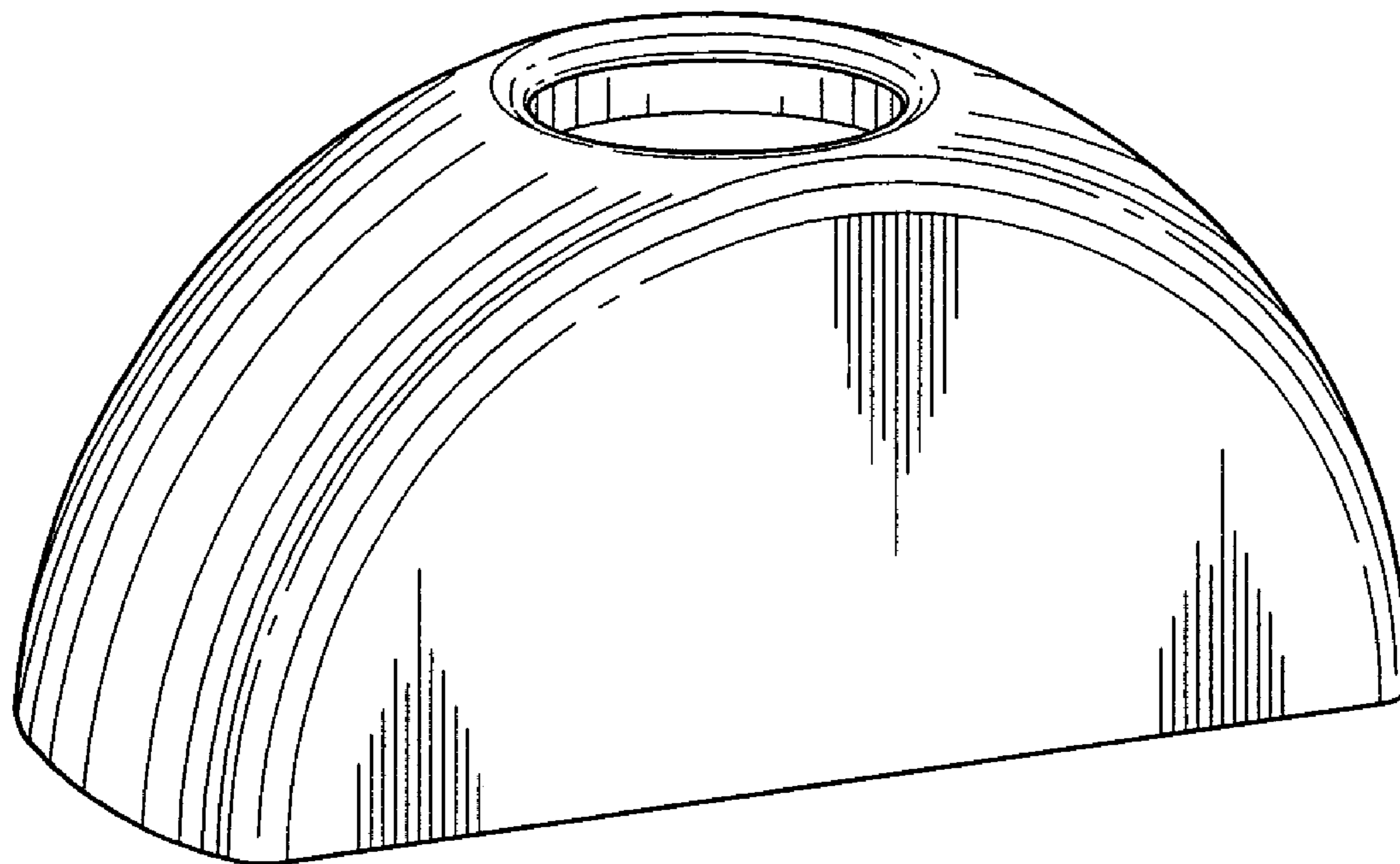
FIG. 7 is a bottom view of the new design;

FIG. 8 is a perspective view of the garment sizer ring, shown in condition of use; and,

FIG. 9 is another perspective view of the garment sizer ring, shown in condition of use.

The broken lines shown in the drawing disclosure are for illustrative purposes only and form no part of the claimed design.

1 Claim, 6 Drawing Sheets



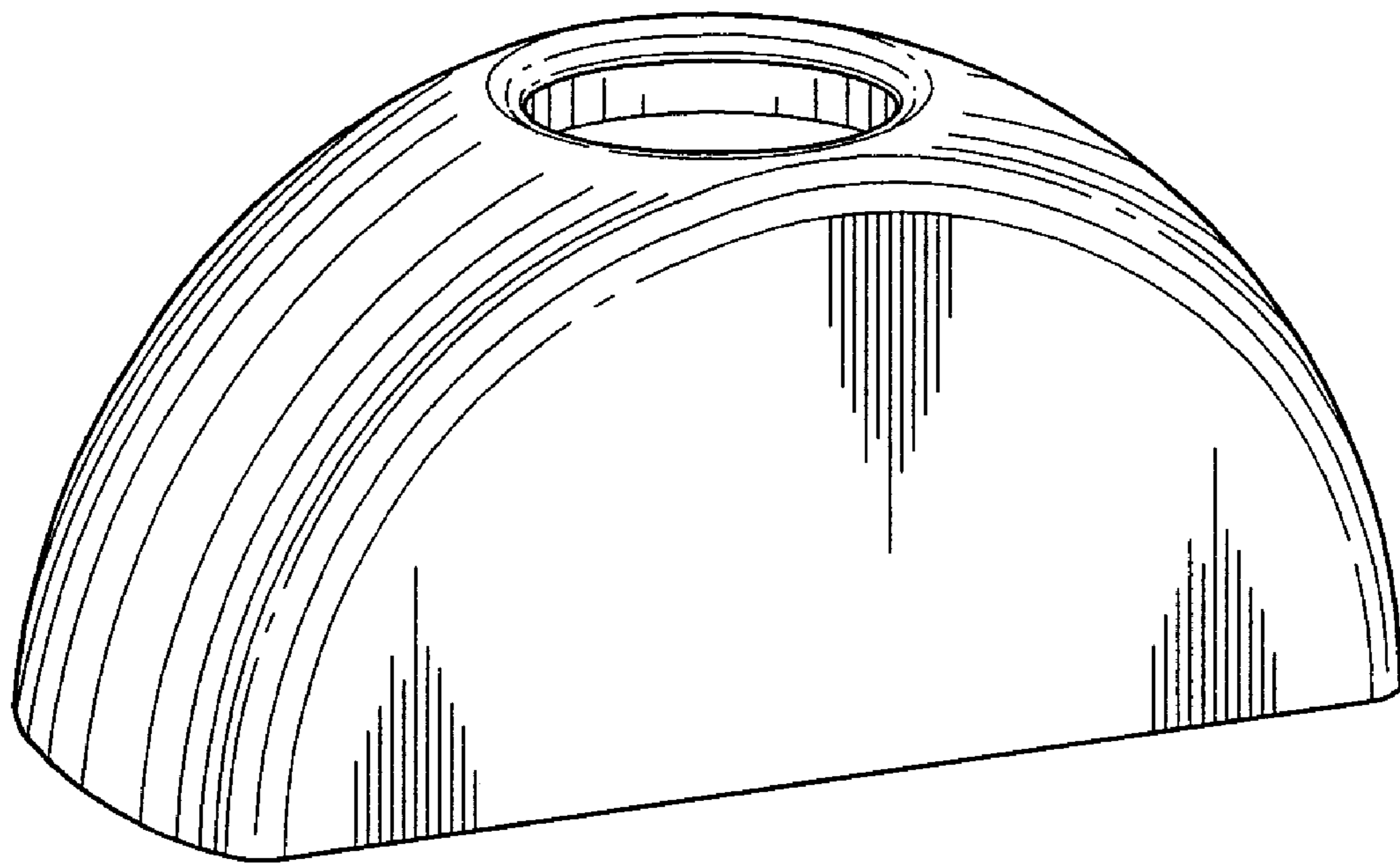


FIG. 1

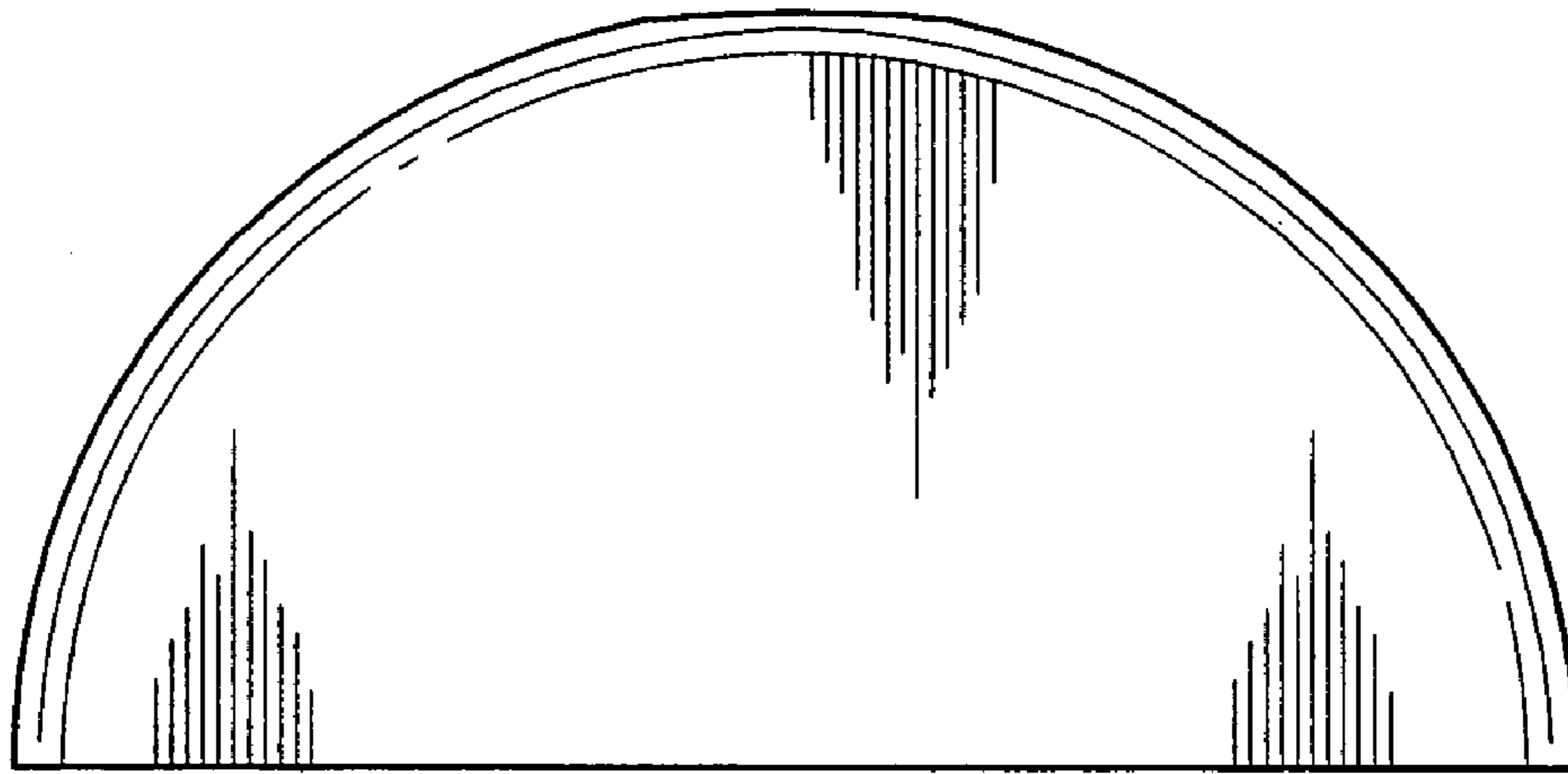


FIG. 2

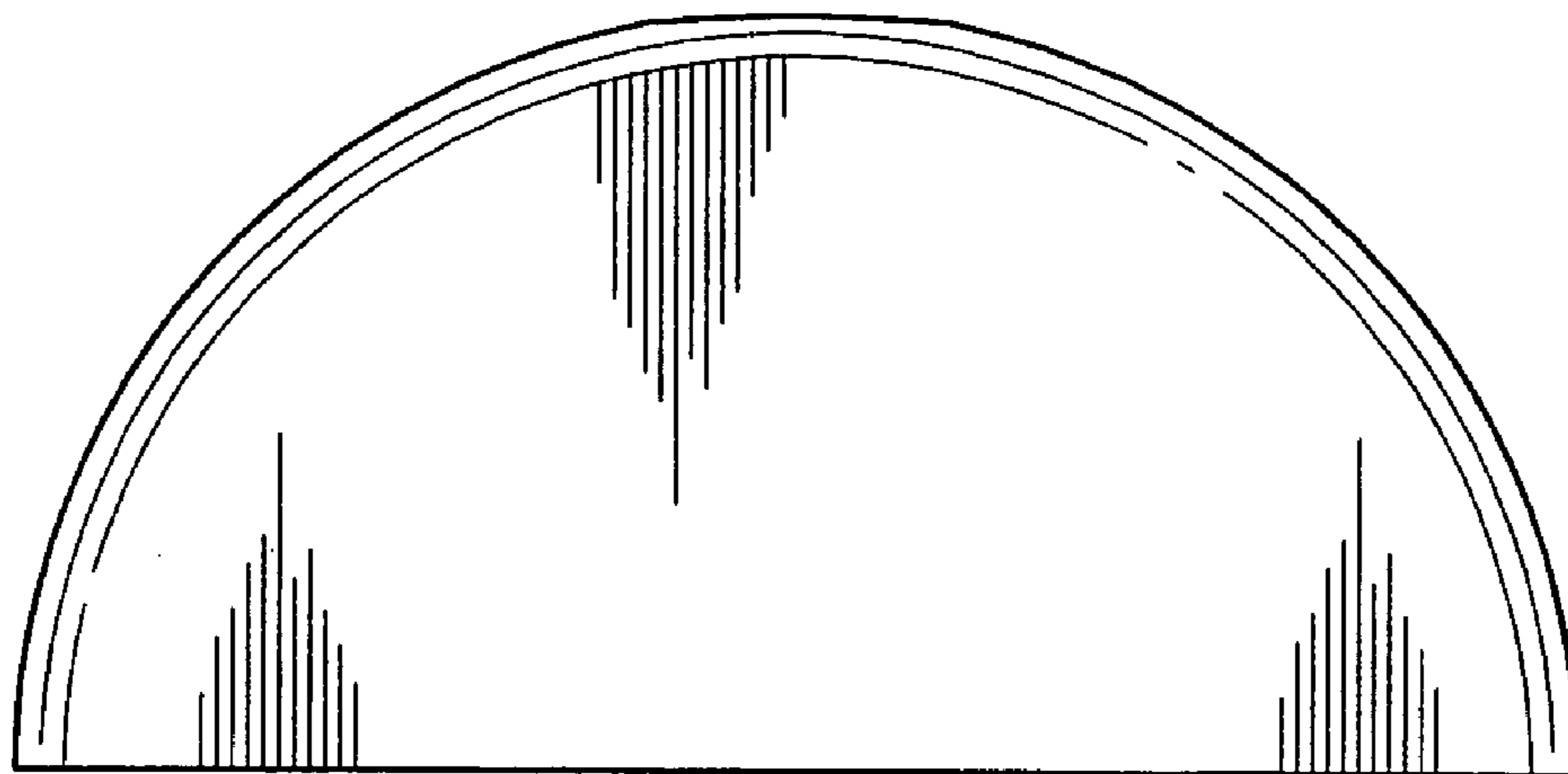


FIG. 3

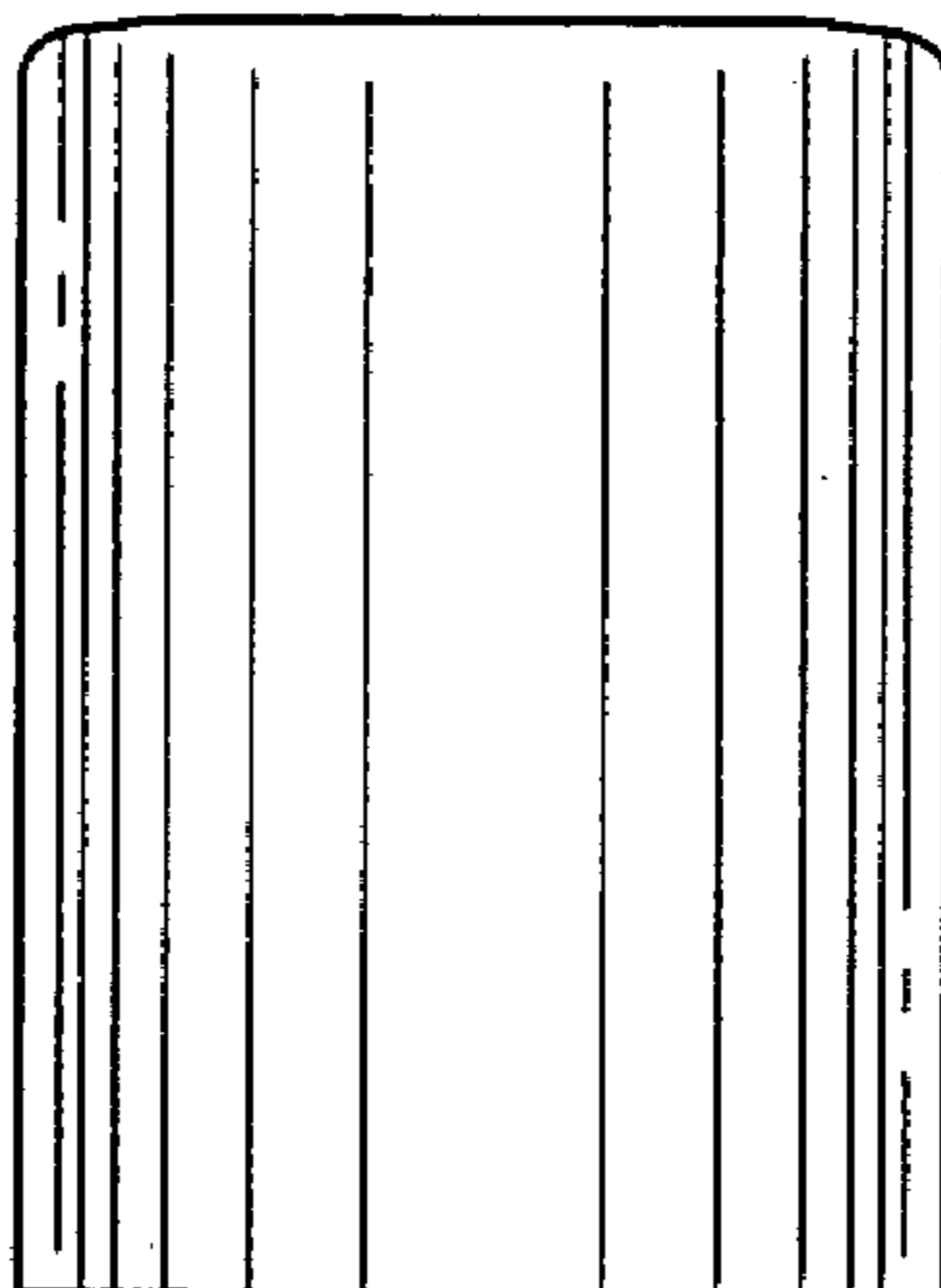


FIG. 4

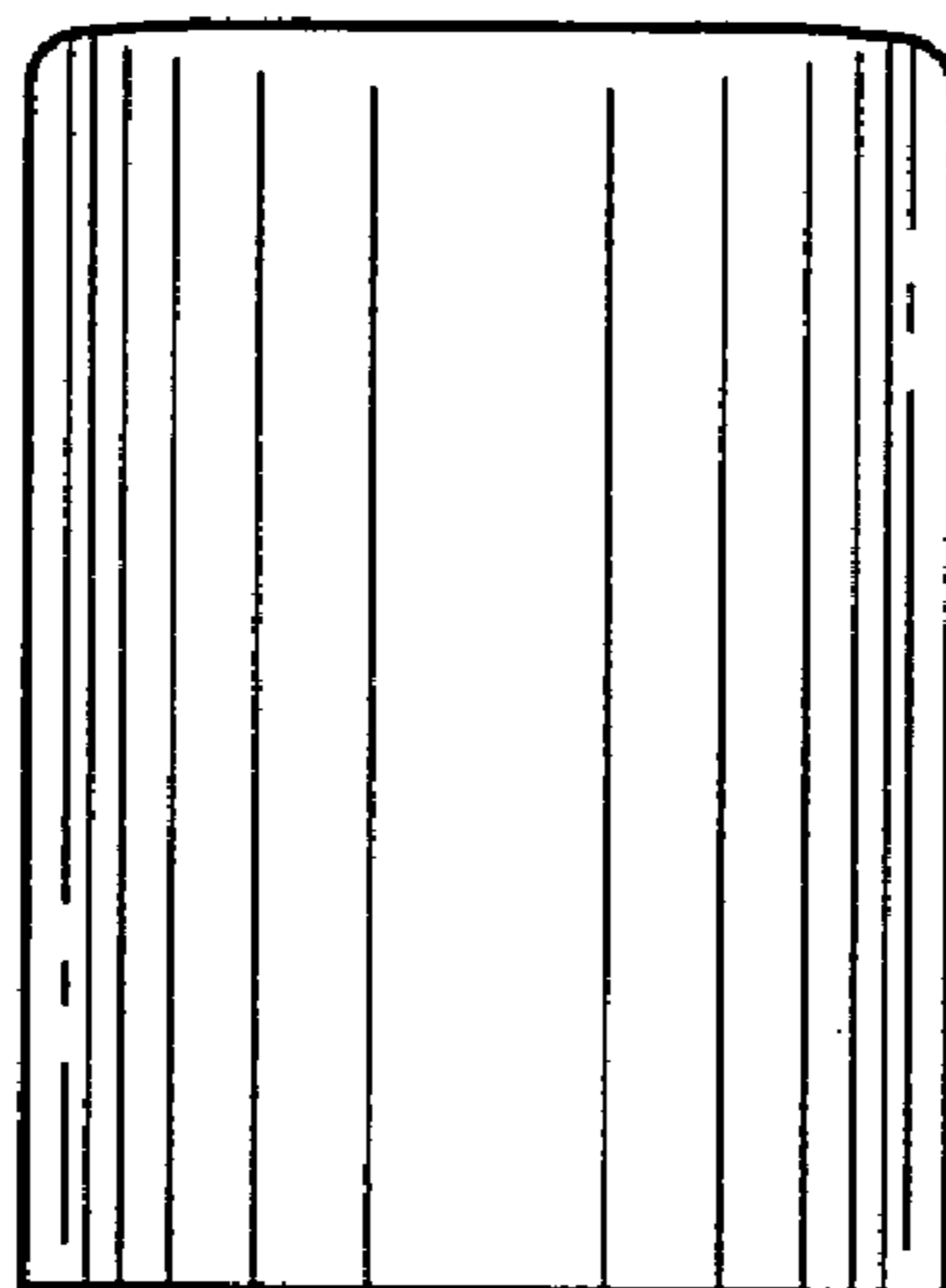


FIG. 5

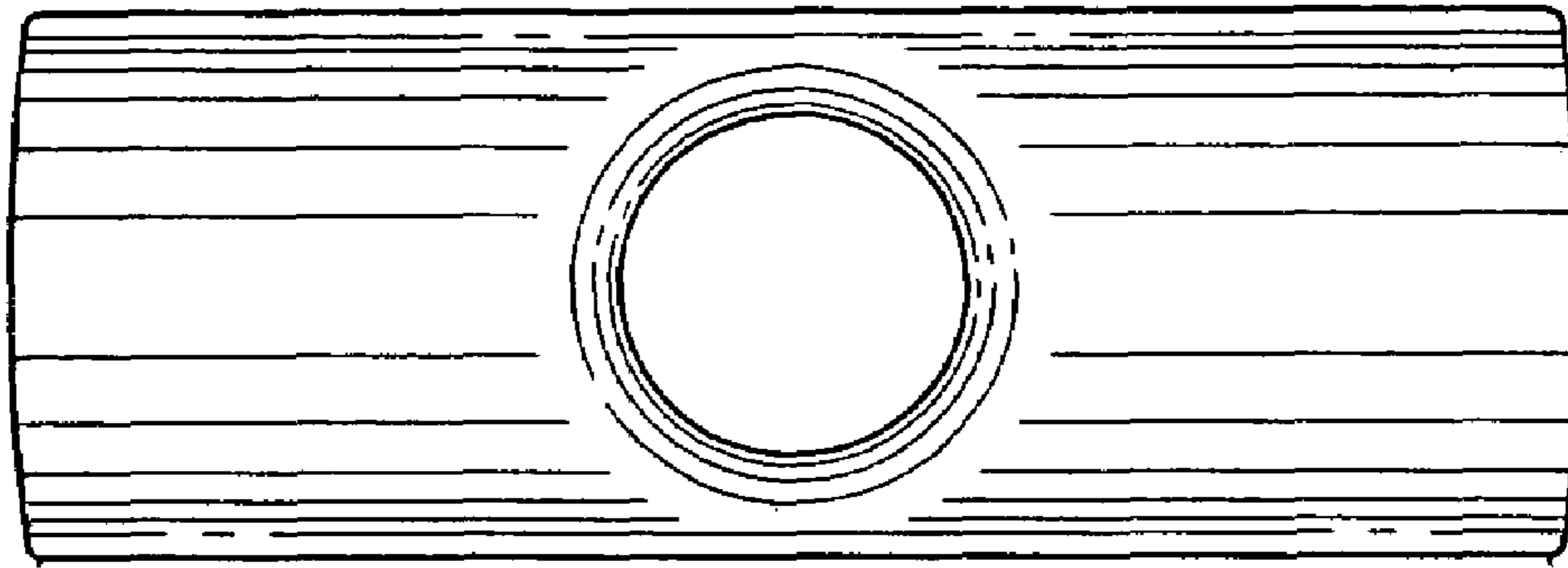


FIG. 6

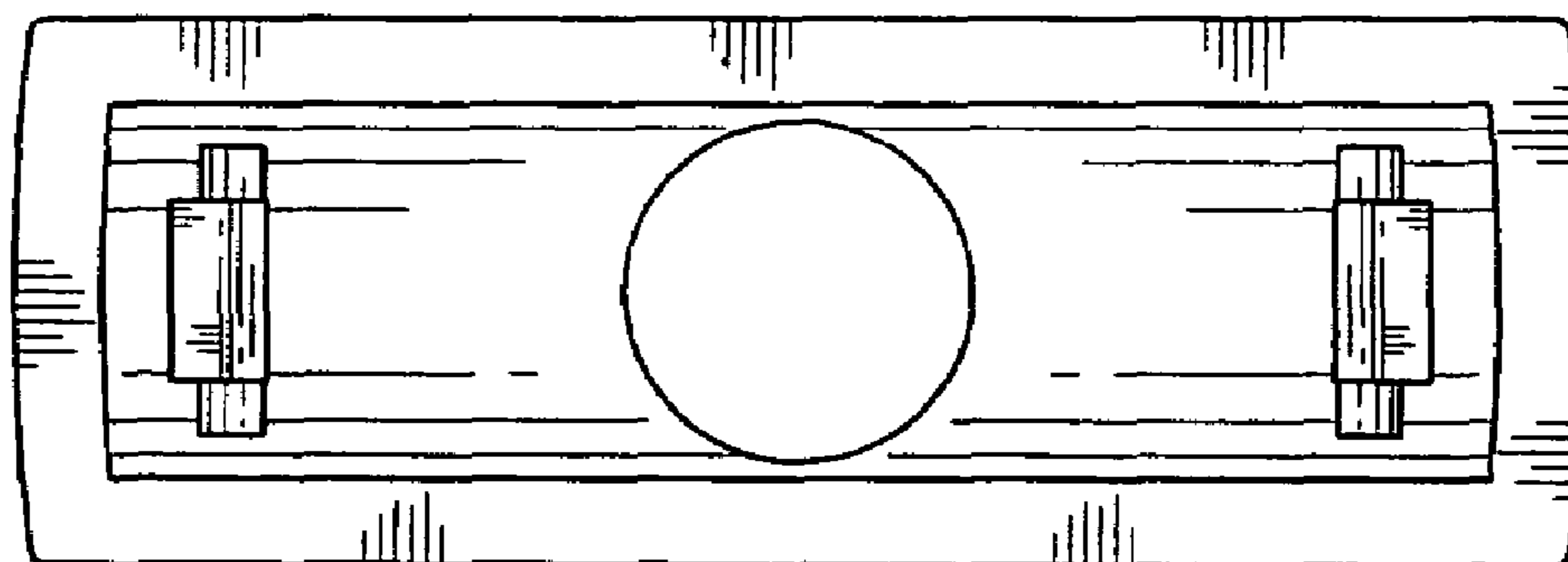


FIG. 7

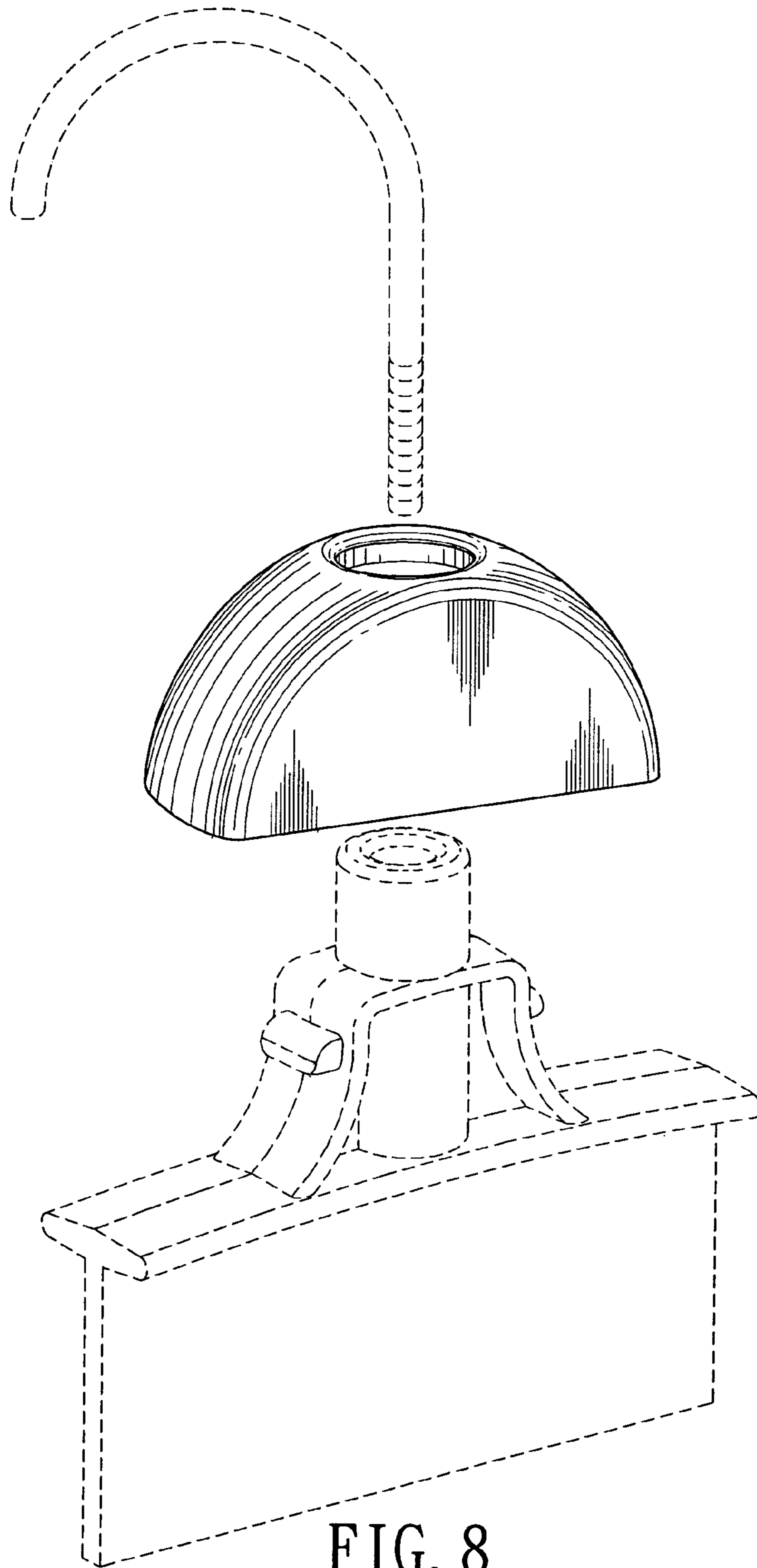


FIG. 8

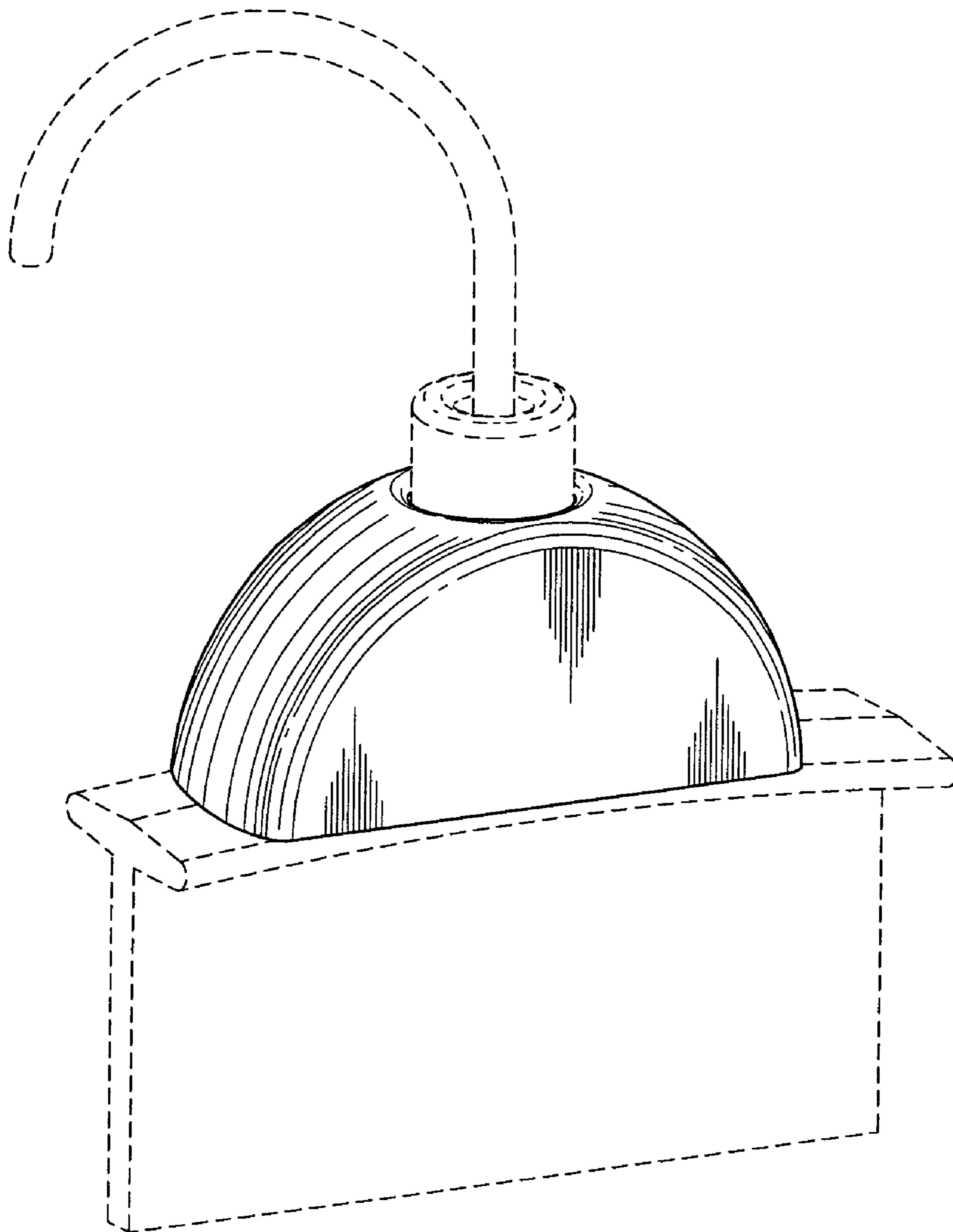


FIG. 9