



US00D547551S

(12) **United States Design Patent** (10) **Patent No.:** **US D547,551 S**  
**Sickler et al.** (45) **Date of Patent:** **\*\* Jul. 31, 2007**

(54) **SNOW BRUSH WITH ICE SCRAPER AND DUAL GRIPS**

(75) Inventors: **Vicki Sickler**, Emporia, KS (US); **Evan Solida**, Emporia, KS (US)

(73) Assignee: **Hopkins Manufacturing Corporation**, Emporia, KS (US)

(\*\*) Term: **14 Years**

(21) Appl. No.: **29/213,545**

(22) Filed: **Sep. 20, 2004**

(51) **LOC (8) Cl.** ..... **04-01**

(52) **U.S. Cl.** ..... **D4/118; D4/138; D32/49**

(58) **Field of Classification Search** ..... D32/40, D32/41, 42, 46, 49; D4/118; 15/143.1, 236.05, 15/236.06, 236.08, 236.09; 294/57, 58; 16/110.1, 16/426, 430, DIG. 12, DIG. 19  
See application file for complete search history.

(56) **References Cited**

**U.S. PATENT DOCUMENTS**

D265,269 S \* 7/1982 Frantz ..... D4/118  
D365,897 S \* 1/1996 Pereira ..... D32/46  
D373,251 S \* 9/1996 Young ..... D4/118  
D424,305 S \* 5/2000 Lozeau et al. .... D4/118  
6,062,619 A \* 5/2000 Clark, Jr. .... 294/58  
6,216,306 B1 \* 4/2001 Esterson et al. .... 15/111  
D441,198 S \* 5/2001 Primeau ..... D4/118

D456,143 S 4/2002 Ingram  
D460,589 S \* 7/2002 Weinberger et al. .... D32/46  
D501,608 S \* 2/2005 Uffner et al. .... D4/118  
D508,109 S \* 8/2005 Roethel ..... D23/252  
2003/0106569 A1 \* 6/2003 Marion et al. .... 134/6

\* cited by examiner

*Primary Examiner*—Alan P. Douglas

*Assistant Examiner*—Barbara Fox

(74) *Attorney, Agent, or Firm*—Hovey Williams LLP

(57) **CLAIM**

The ornamental design for a snow brush with ice scraper and dual grips, as shown and described.

**DESCRIPTION**

FIG. 1 is an isometric view of a snow brush with an ice scraper and dual grips;

FIG. 2 is a right side elevational view thereof;

FIG. 3 is a rear sectional view thereof;

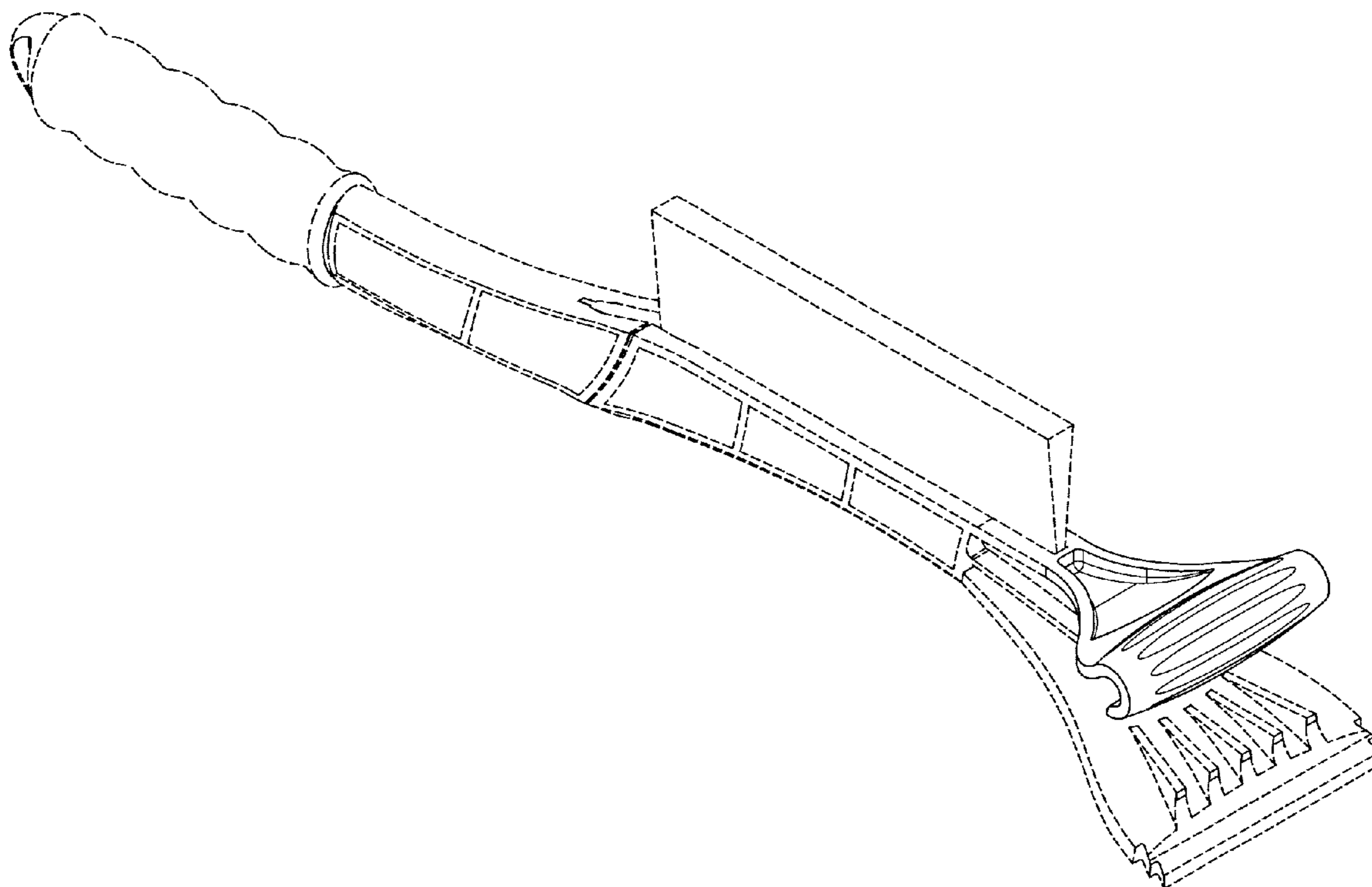
FIG. 4 is a front sectional view thereof;

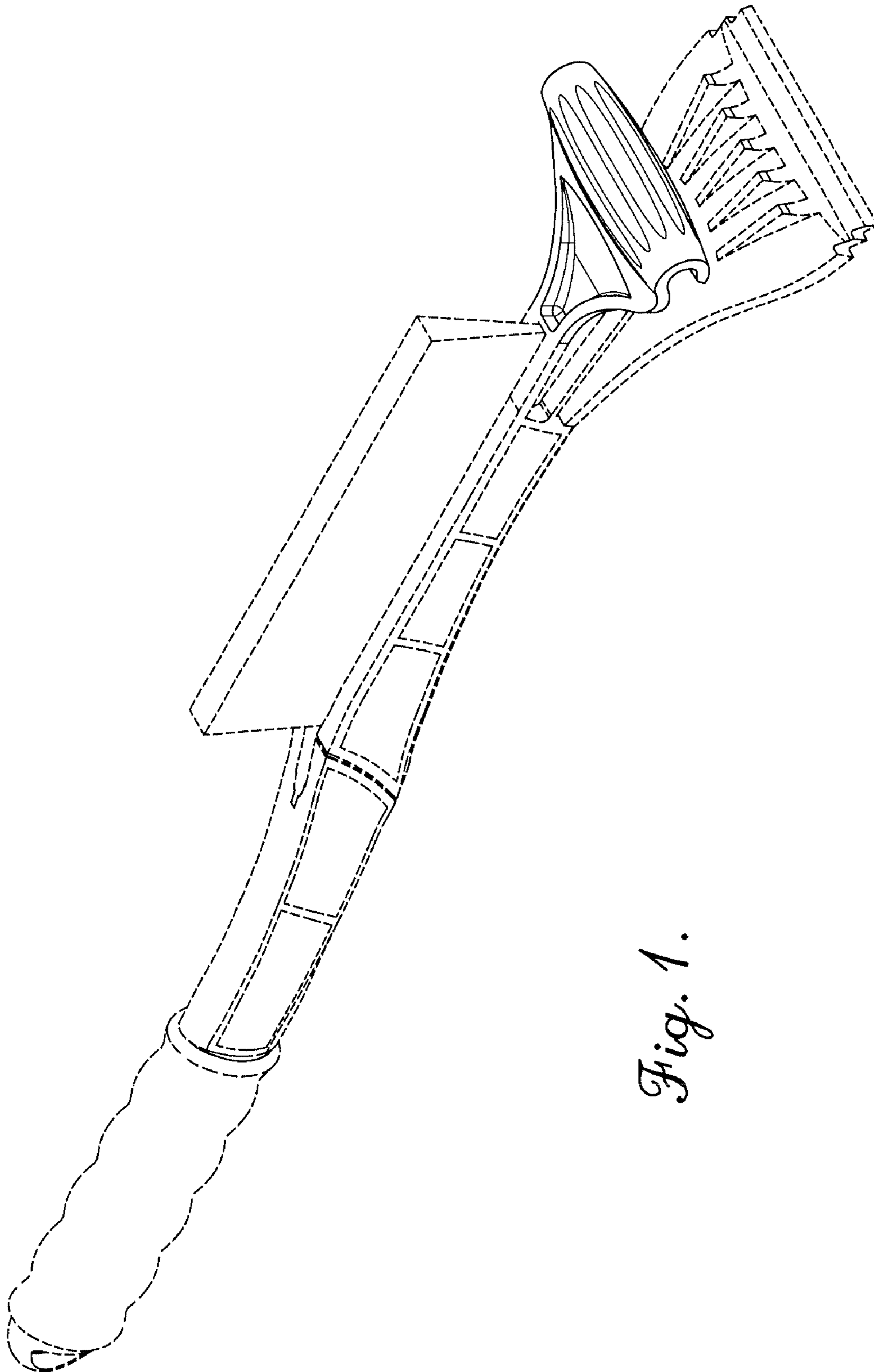
FIG. 5 is a top view plan thereof; and,

FIG. 6 is a bottom view thereof.

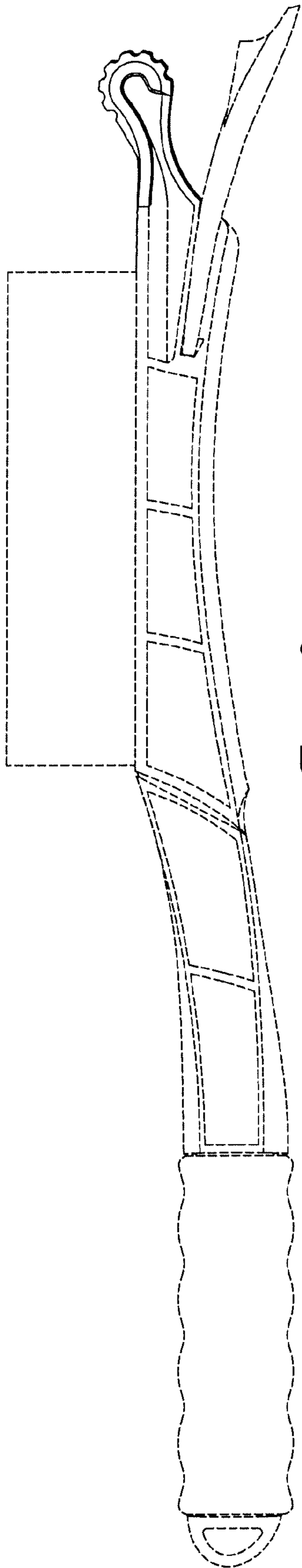
The broken line showing of a snow brush with an ice scraper and dual grips is included for the purpose of illustrating portions of the article and forms no part of the claimed design.

**1 Claim, 3 Drawing Sheets**

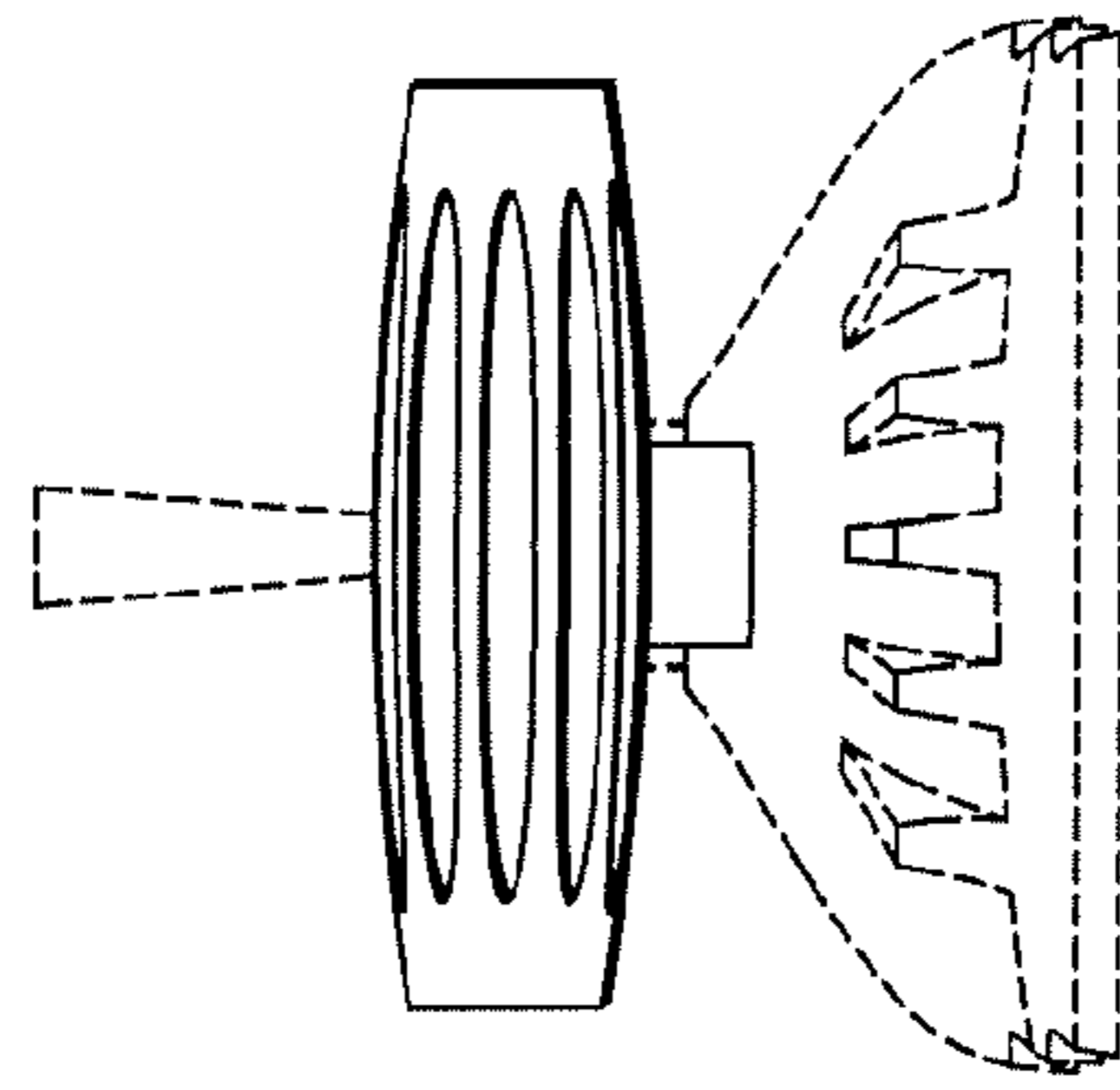




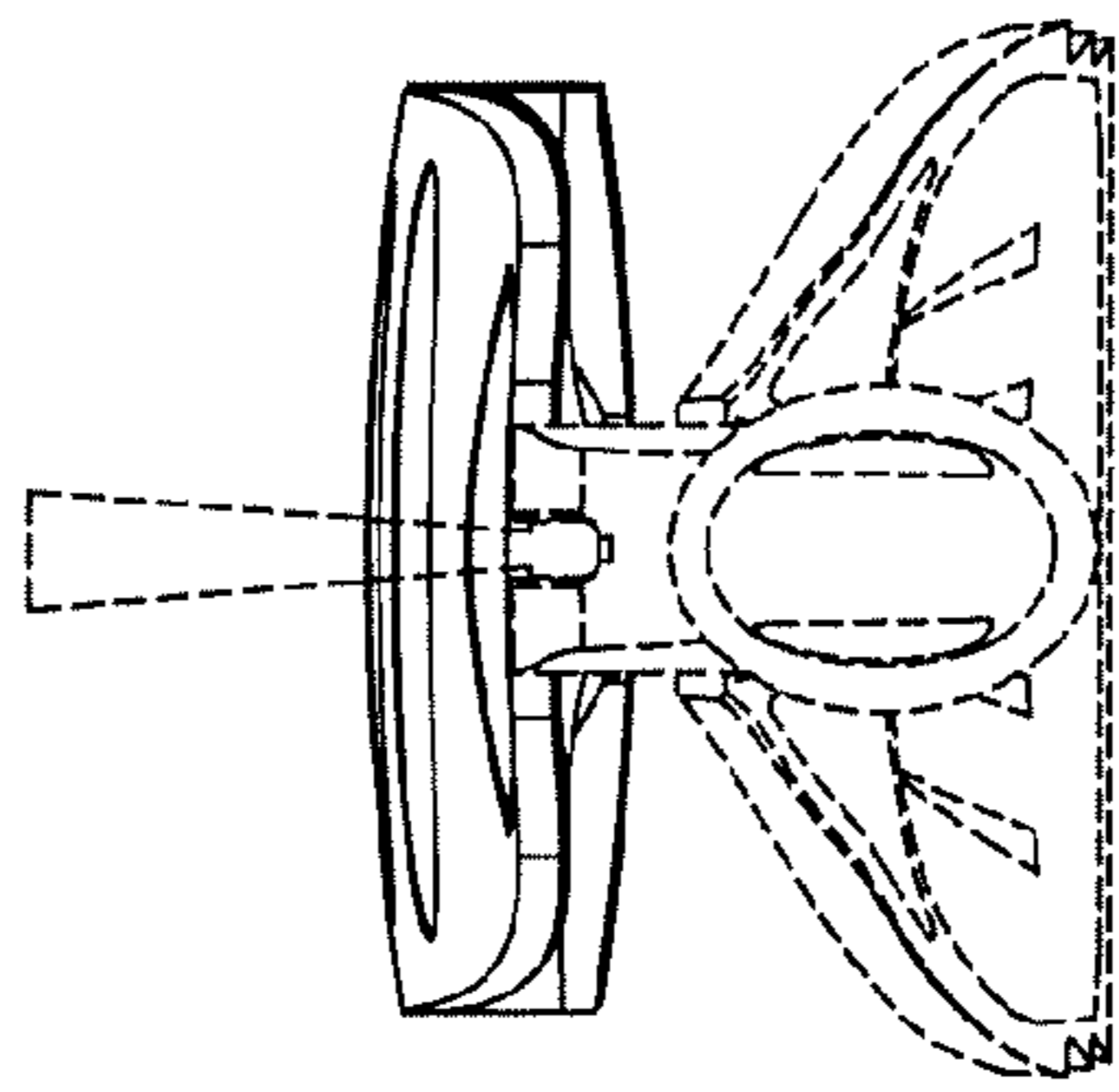
*Fig. 1.*



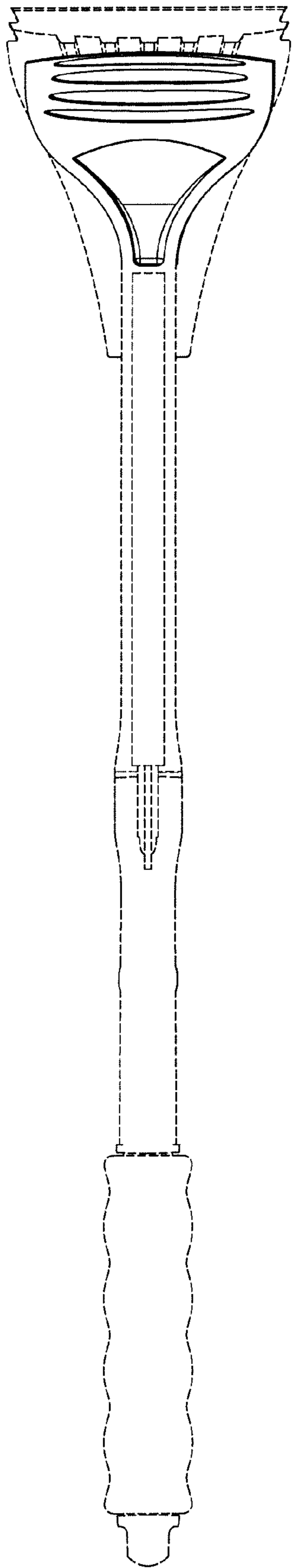
*Fig. 2.*



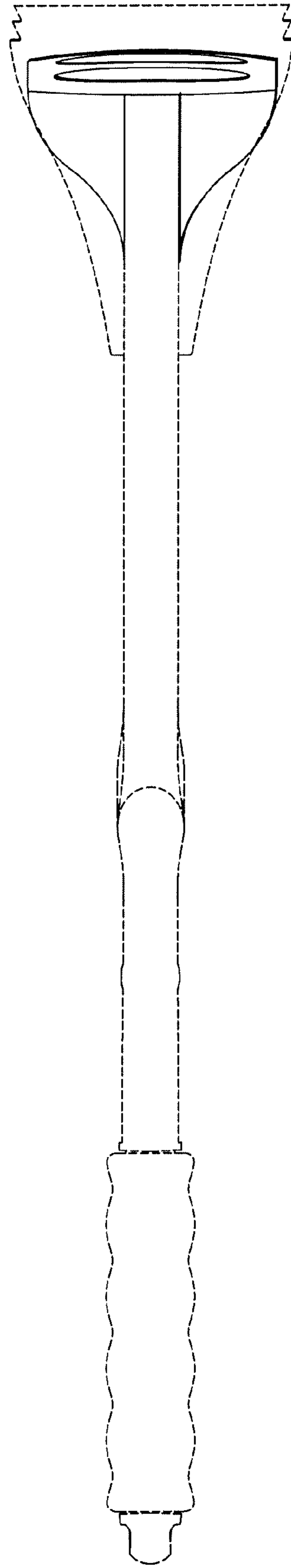
*Fig. 4.*



*Fig. 3.*



*Fig. 5.*



*Fig. 6.*