



US00D547547S

(12) **United States Design Patent**  
**Maurion**

(10) **Patent No.:** **US D547,547 S**

(45) **Date of Patent:** **\*\* Jul. 31, 2007**

(54) **RECEIPT ORGANIZER**

(76) Inventor: **Philippe L. Maurion**, 96 Pinnacle  
Crescent, Guelph, Ontario (CA) N1K  
1P5

(\*\*) Term: **14 Years**

(21) Appl. No.: **29/256,845**

(22) Filed: **Mar. 27, 2006**

(51) **LOC (8) Cl.** ..... **03-01**

(52) **U.S. Cl.** ..... **D3/247**

(58) **Field of Classification Search** ..... D3/215,  
D3/247, 249, 299; D11/216, 220, 48, 78.1;  
D12/181; D19/9; 206/449; 281/29  
See application file for complete search history.

(56) **References Cited**

**U.S. PATENT DOCUMENTS**

4,803,795	A *	2/1989	Questel et al.	.....	40/124.2
D372,359	S *	8/1996	Tytula	.....	D3/253
D510,800	S *	10/2005	Jakovljevic	.....	D3/253
D511,038	S *	11/2005	Schrey	.....	D3/249

\* cited by examiner

*Primary Examiner*—Louis S. Zarfaz  
*Assistant Examiner*—Michelle E. Wilson

(74) *Attorney, Agent, or Firm*—Miller Thomson LLP

(57) **CLAIM**

The ornamental design for a receipt organizer, as shown and described.

**DESCRIPTION**

FIG. 1 is a front perspective view of a receipt organizer showing my new design;

FIG. 2 is a back perspective view of the receipt organizer.

FIG. 3 is a right side plan view of the receipt organizer.

FIG. 4 is a front plan view of the receipt organizer.

FIG. 5 is a back plan view of the receipt organizer.

FIG. 6 is a top plan view of the receipt organizer.

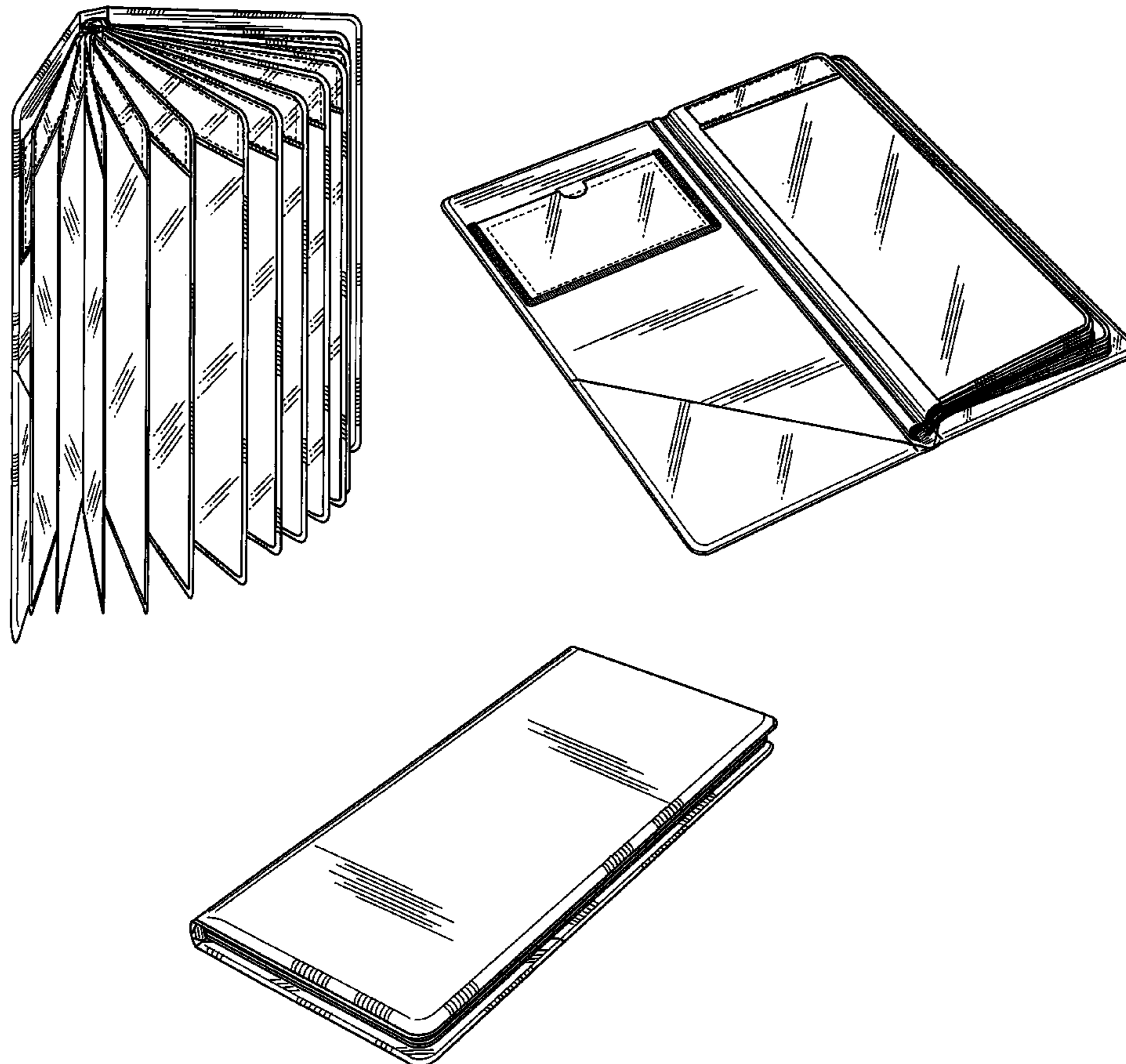
FIG. 7 is a bottom plan view of the receipt organizer.

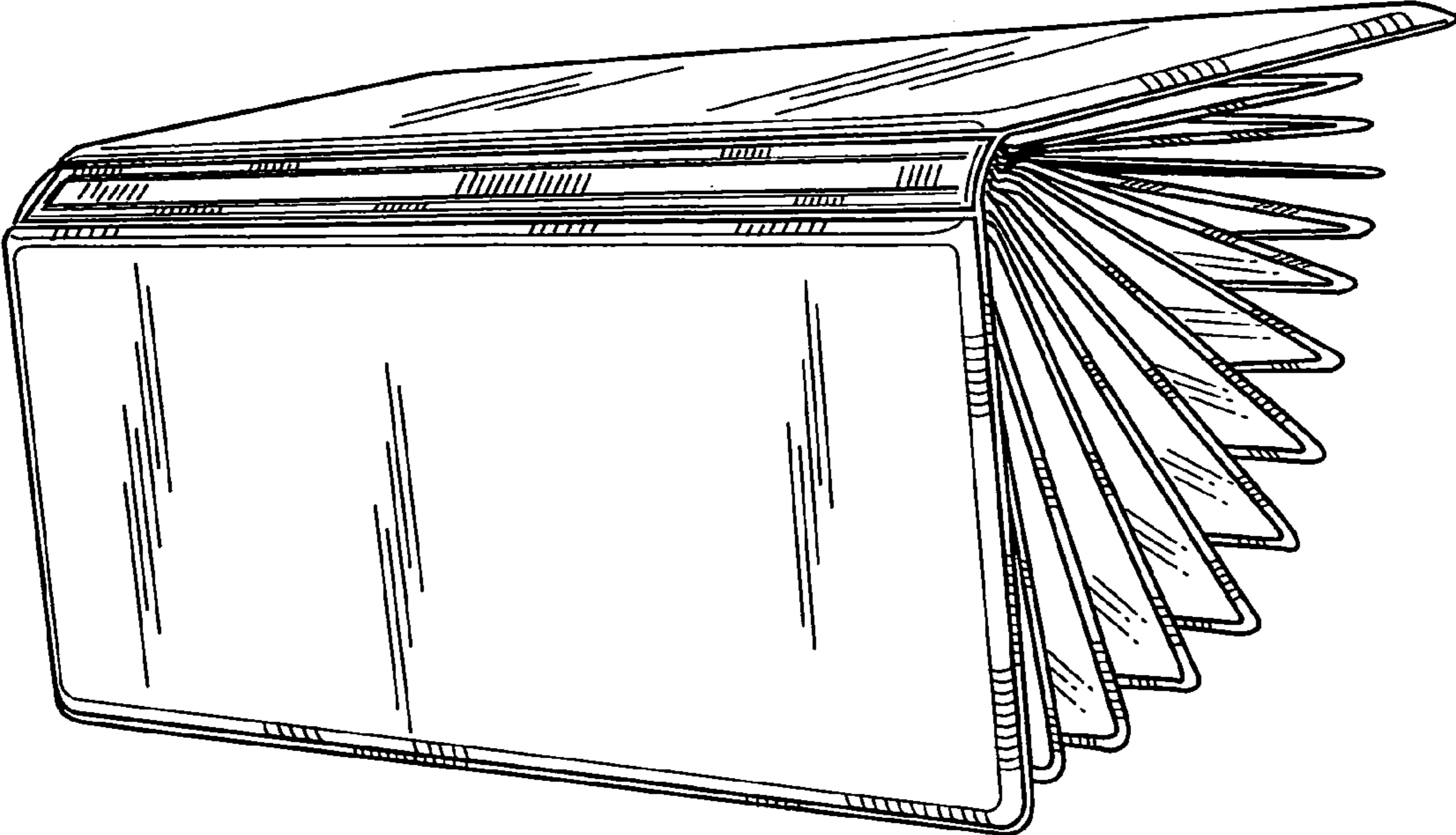
FIG. 8 is an open perspective view of the receipt organizer.

FIG. 9 is an open perspective view of the receipt organizer; and,

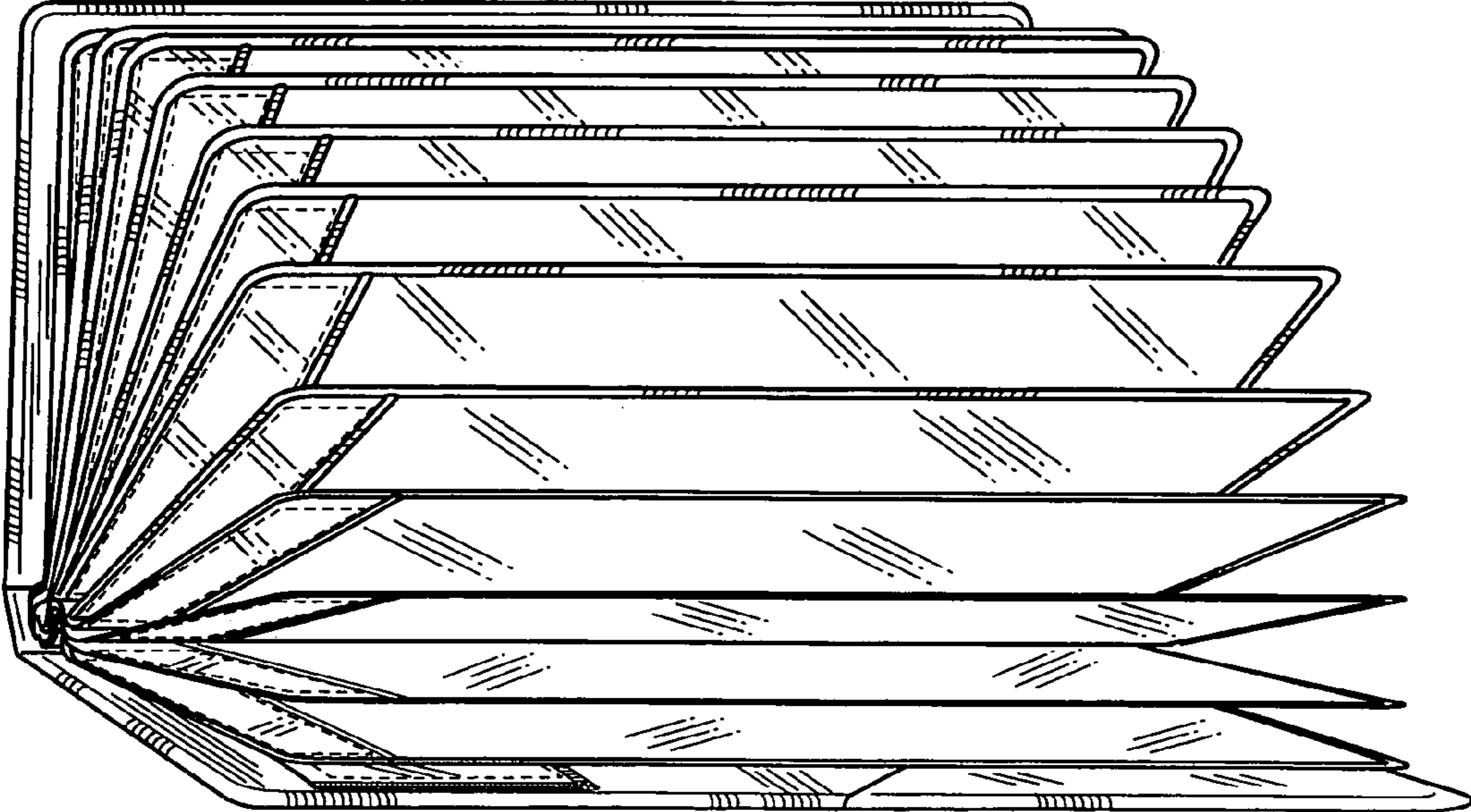
FIG. 10 is a closed perspective view of the receipt organizer.

**1 Claim, 6 Drawing Sheets**

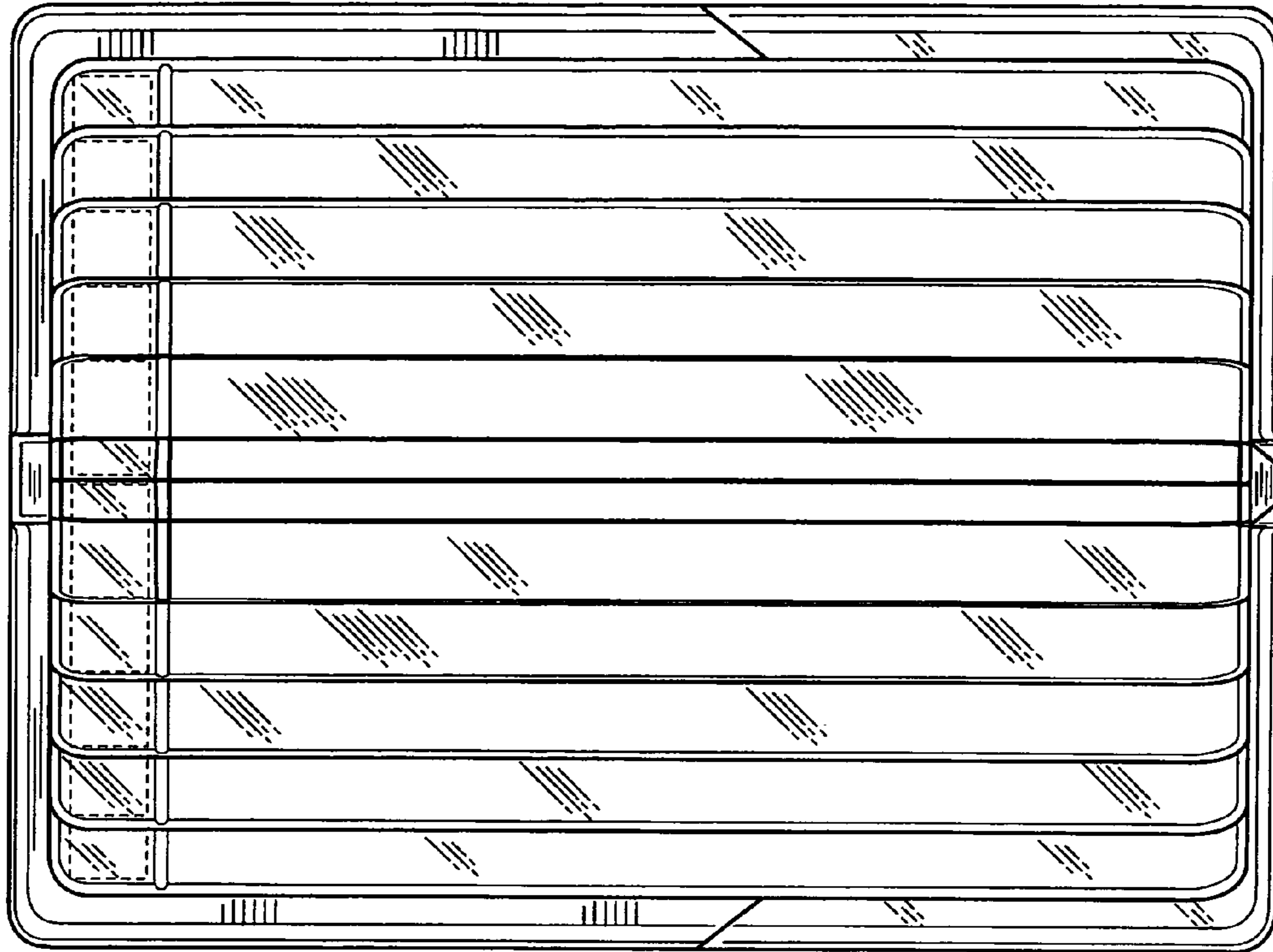




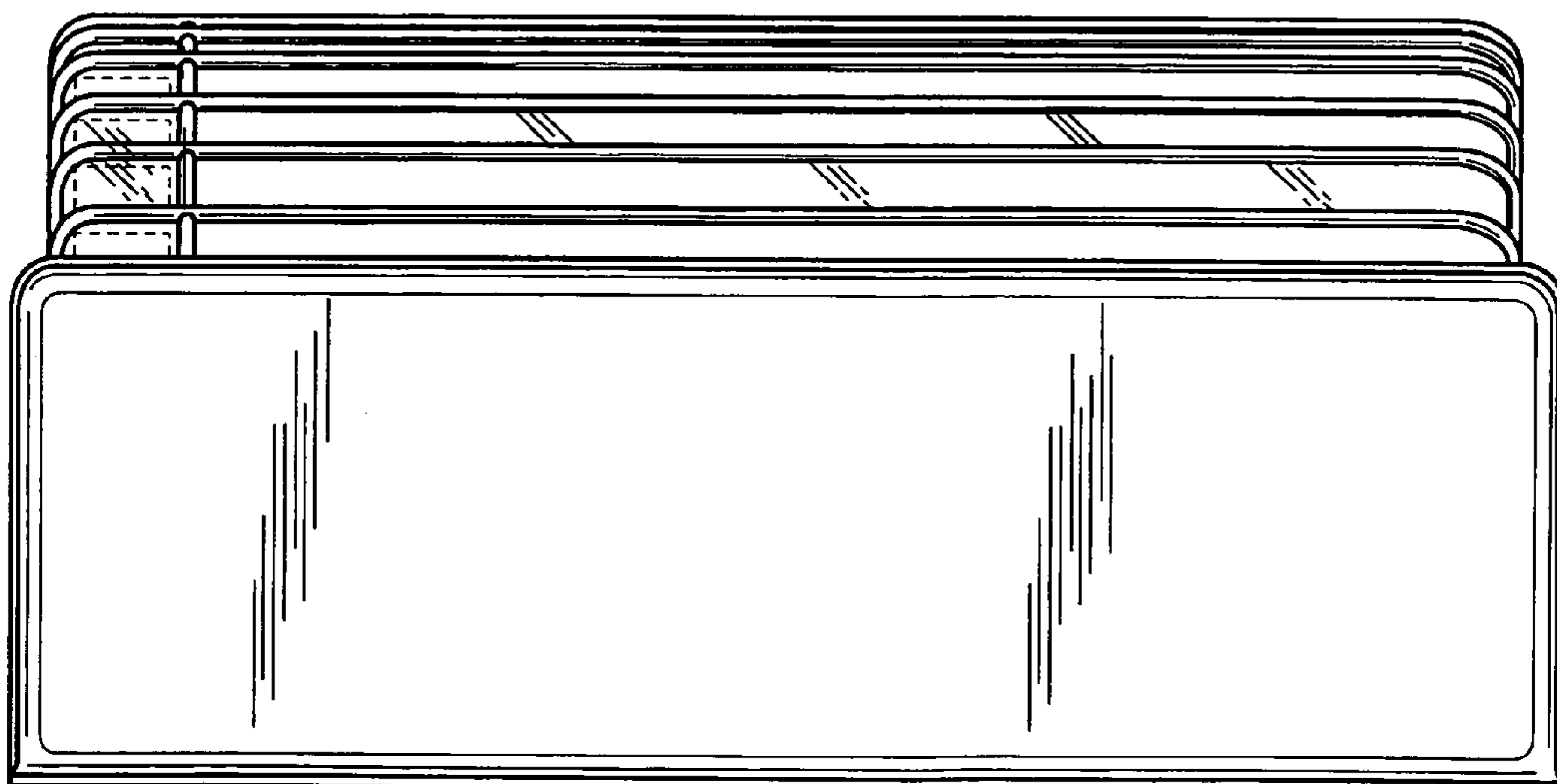
**FIG. 2**



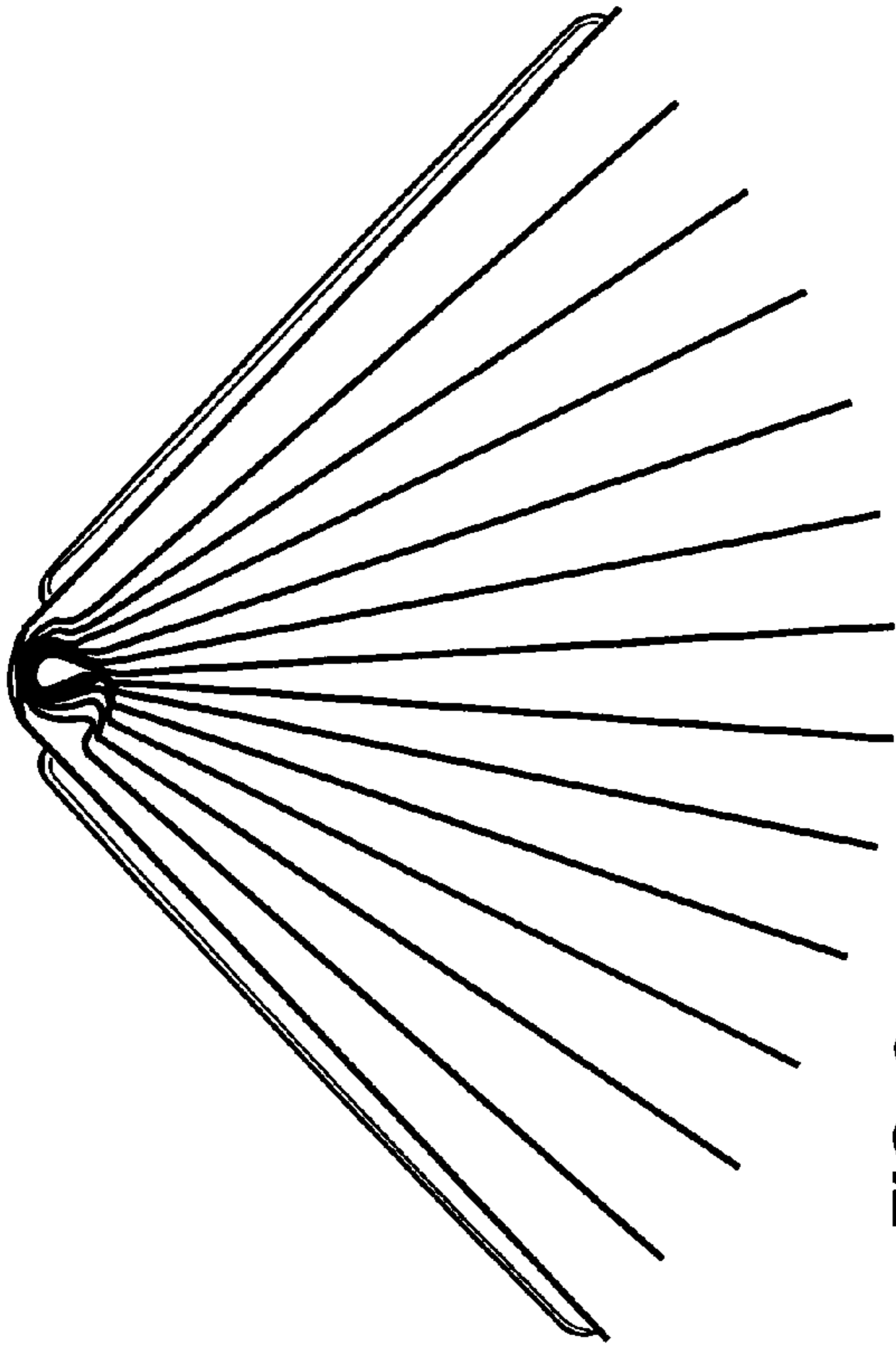
**FIG. 1**



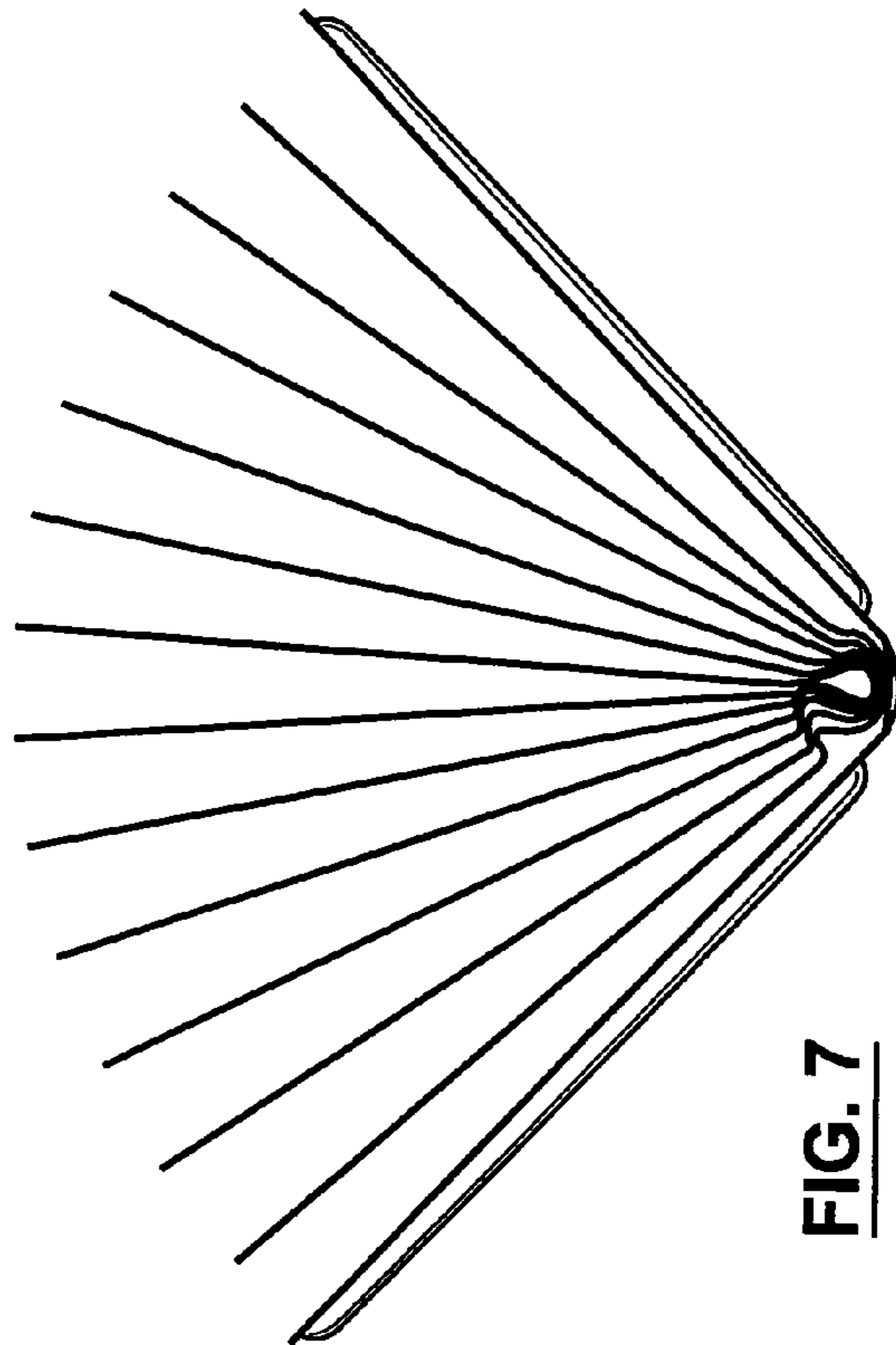
**FIG. 4**



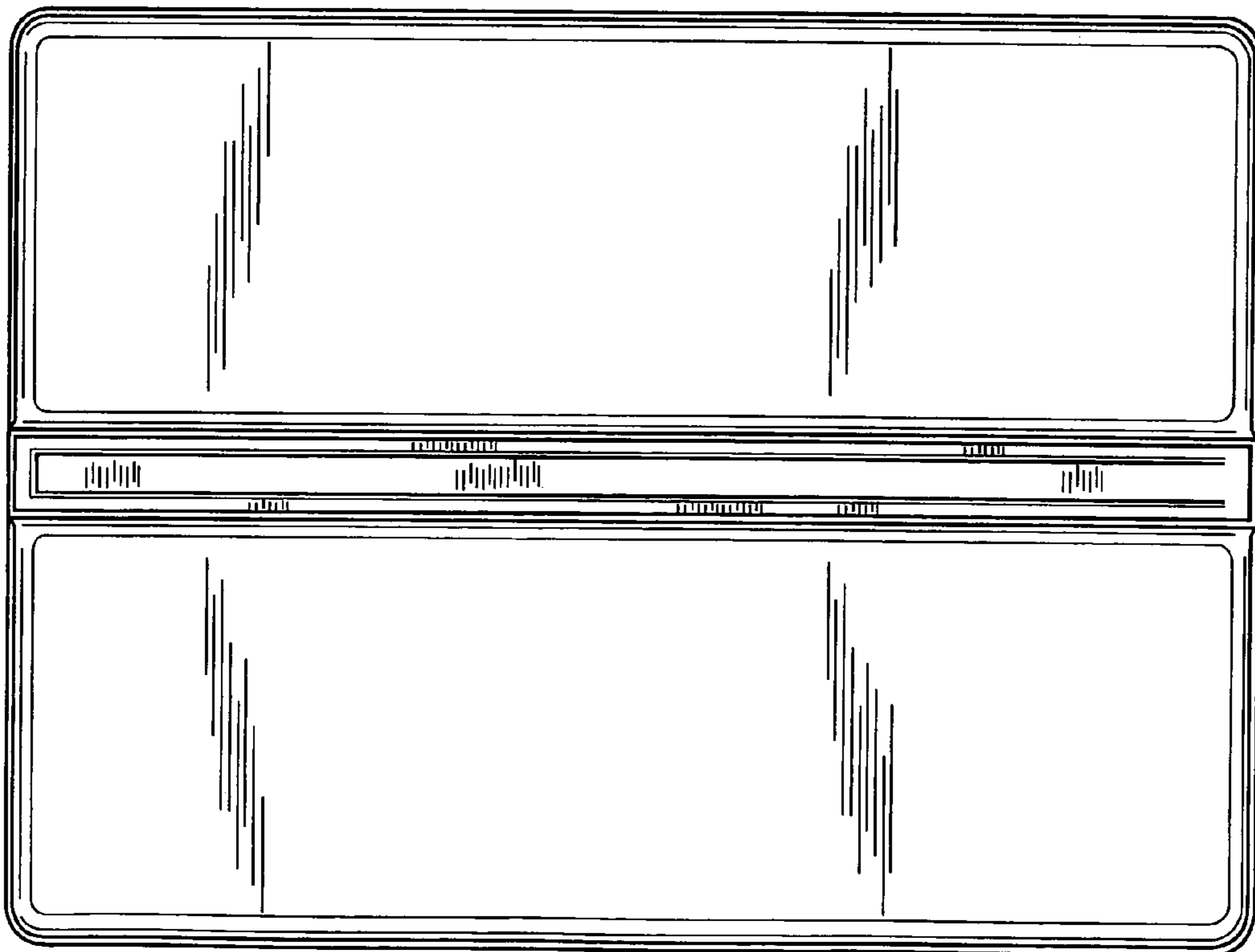
**FIG. 3**



**FIG. 6**



**FIG. 7**



**FIG. 5**

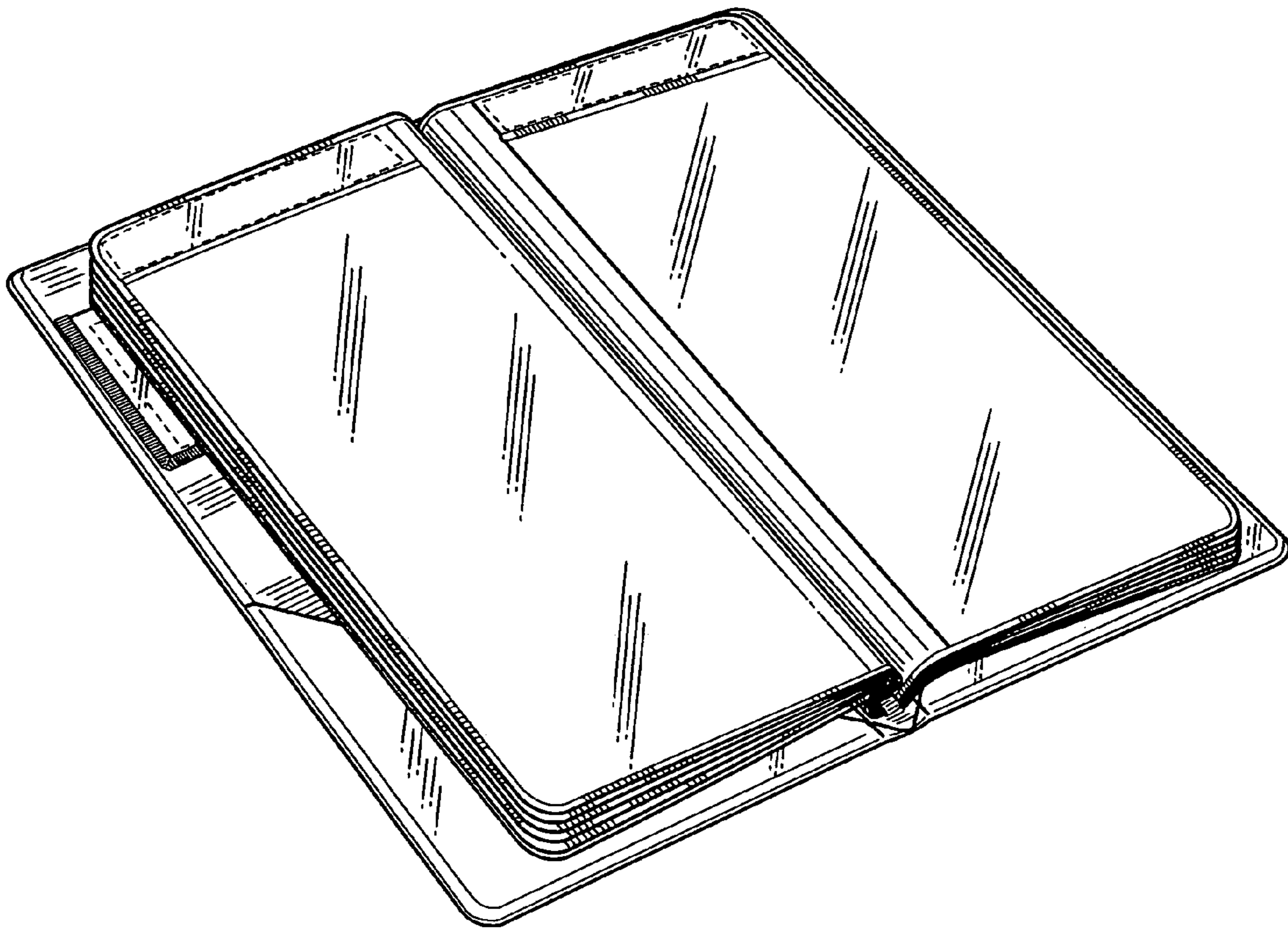
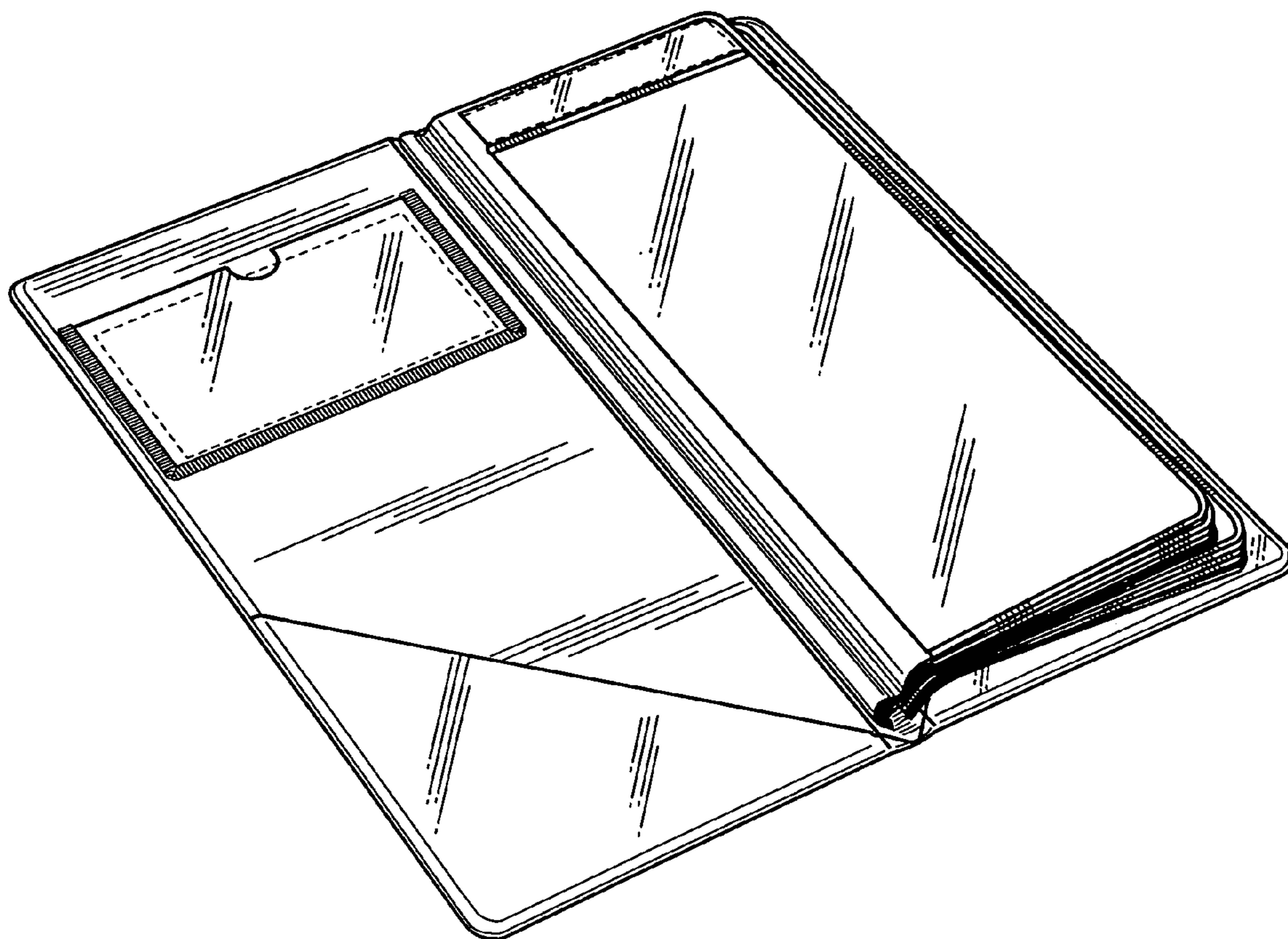
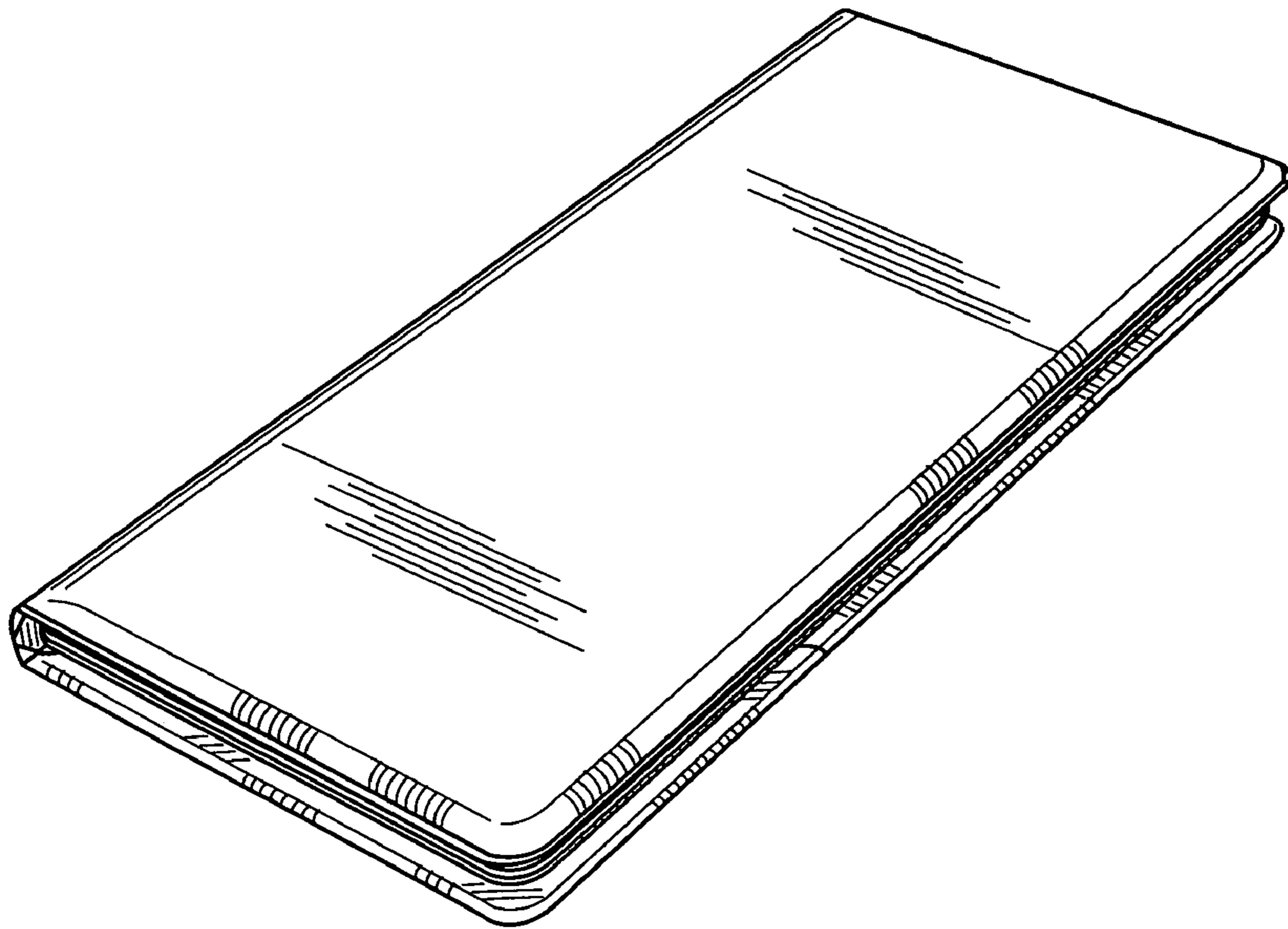


FIG. 8



**FIG. 9**



**FIG. 10**