

US00D547544S

(12) **United States Design Patent**  
**Hussaini et al.**

(10) **Patent No.:** **US D547,544 S**

(45) **Date of Patent:** **\*\* Jul. 31, 2007**

(54) **CASE FOR PORTABLE ELECTRONIC DEVICE**

*Primary Examiner*—Catherine R. Oliver  
(74) *Attorney, Agent, or Firm*—Berenato, White & Stavish

(75) Inventors: **Saied Hussaini**, Miami, FL (US); **Marc Iacovelli**, Miami, FL (US)

(57) **CLAIM**

(73) Assignee: **Intec, Inc.**, Miami, FL (US)

The ornamental design for a case for a portable electronic device, as shown and described.

(\*\*) Term: **14 Years**

(21) Appl. No.: **29/257,140**

**DESCRIPTION**

(22) Filed: **Mar. 30, 2006**

(51) **LOC (8) Cl.** ..... **03-01**

FIG. 1 is a front elevational perspective view of the case for portable electronic device according to the present invention.

(52) **U.S. Cl.** ..... **D3/201**

(58) **Field of Classification Search** ..... D3/201,  
D3/215, 218, 219, 230, 294, 265–273, 205;  
D9/420–425; 206/5, 5.1, 6; 248/902; D6/631–634  
See application file for complete search history.

FIG. 2 is a front View of the case of FIG. 1.

FIG. 3 is a rear view of the case of FIG. 1.

FIG. 4 is a right side view of the case of FIG. 1.

FIG. 5 is a left side view of the case of FIG. 1.

FIG. 6 is a top view of the case of FIG. 1.

FIG. 7 is a bottom view of the case of FIG. 1; and,

FIG. 8 is a perspective view of the case according to the present invention in an open configuration.

The broken lines shown in the drawing figures represent stitching.

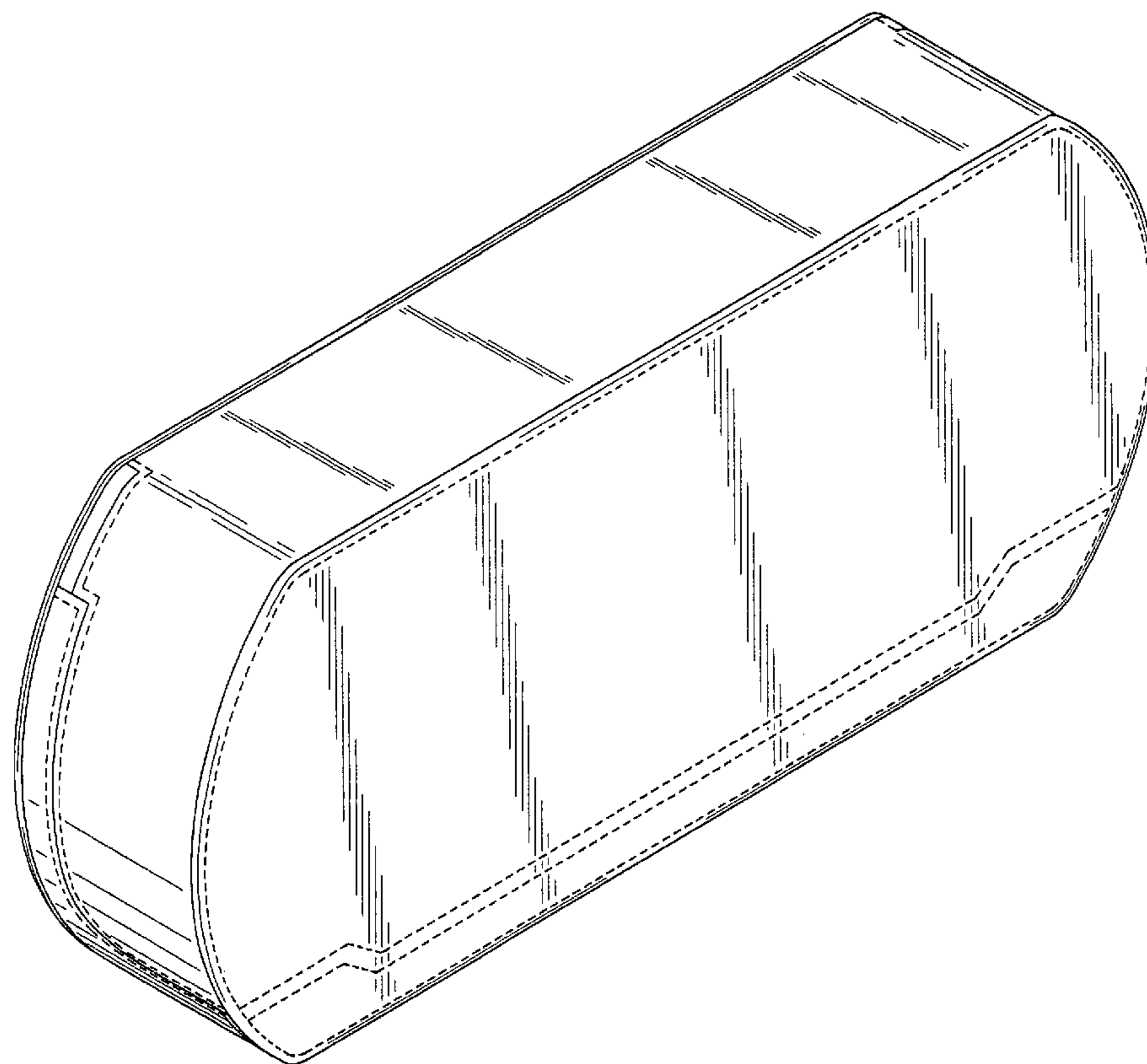
(56) **References Cited**

**U.S. PATENT DOCUMENTS**

D427,432 S *	7/2000	Au et al.	.....	D3/265
D430,727 S *	9/2000	Wisniewski	.....	D3/265
D457,374 S *	5/2002	Lee	.....	D6/632
D465,330 S *	11/2002	Parker	.....	D3/273
D517,311 S *	3/2006	Kim	.....	D3/218
D525,422 S *	7/2006	Williams et al.	.....	D3/218

\* cited by examiner

**1 Claim, 6 Drawing Sheets**



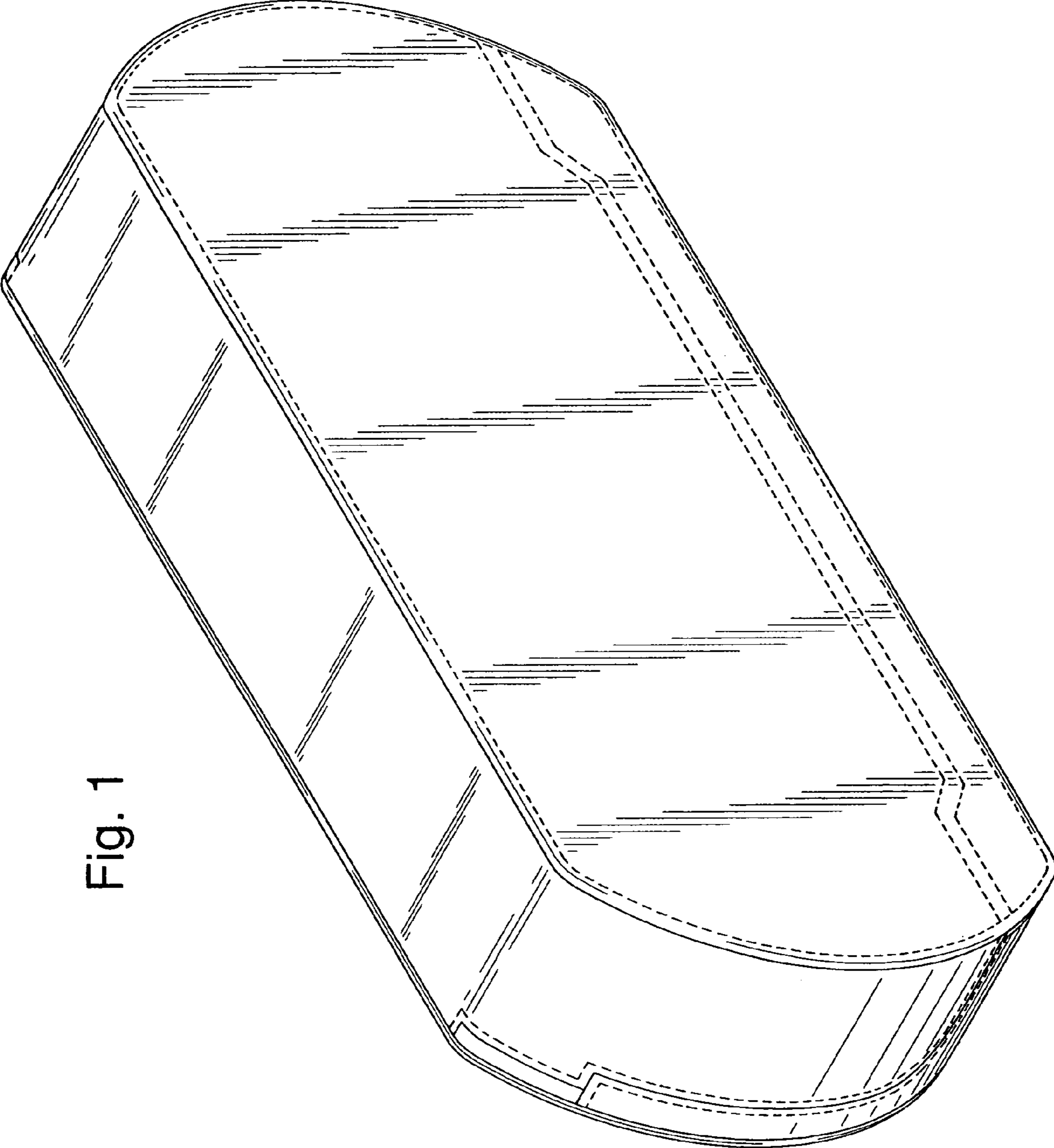


Fig. 1

Fig. 2

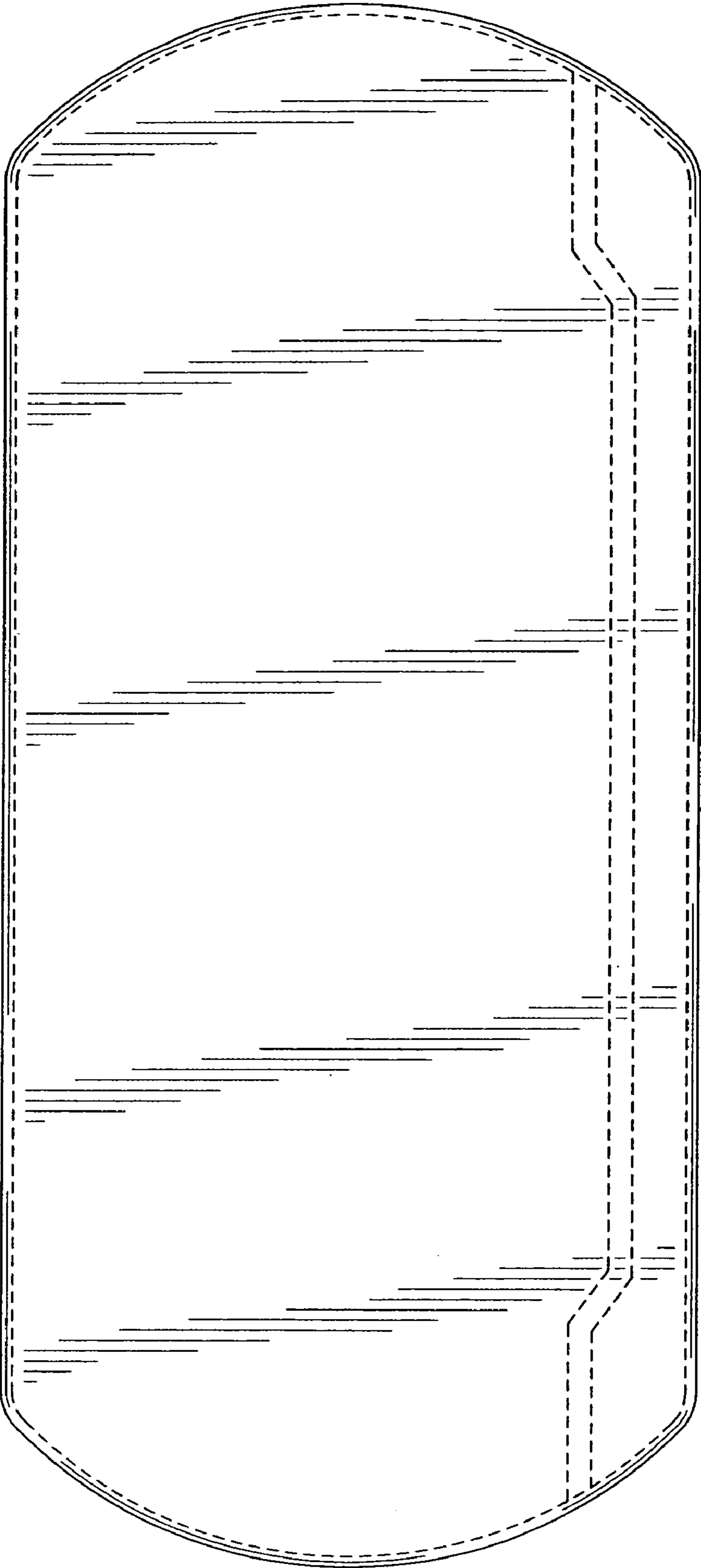


Fig. 3

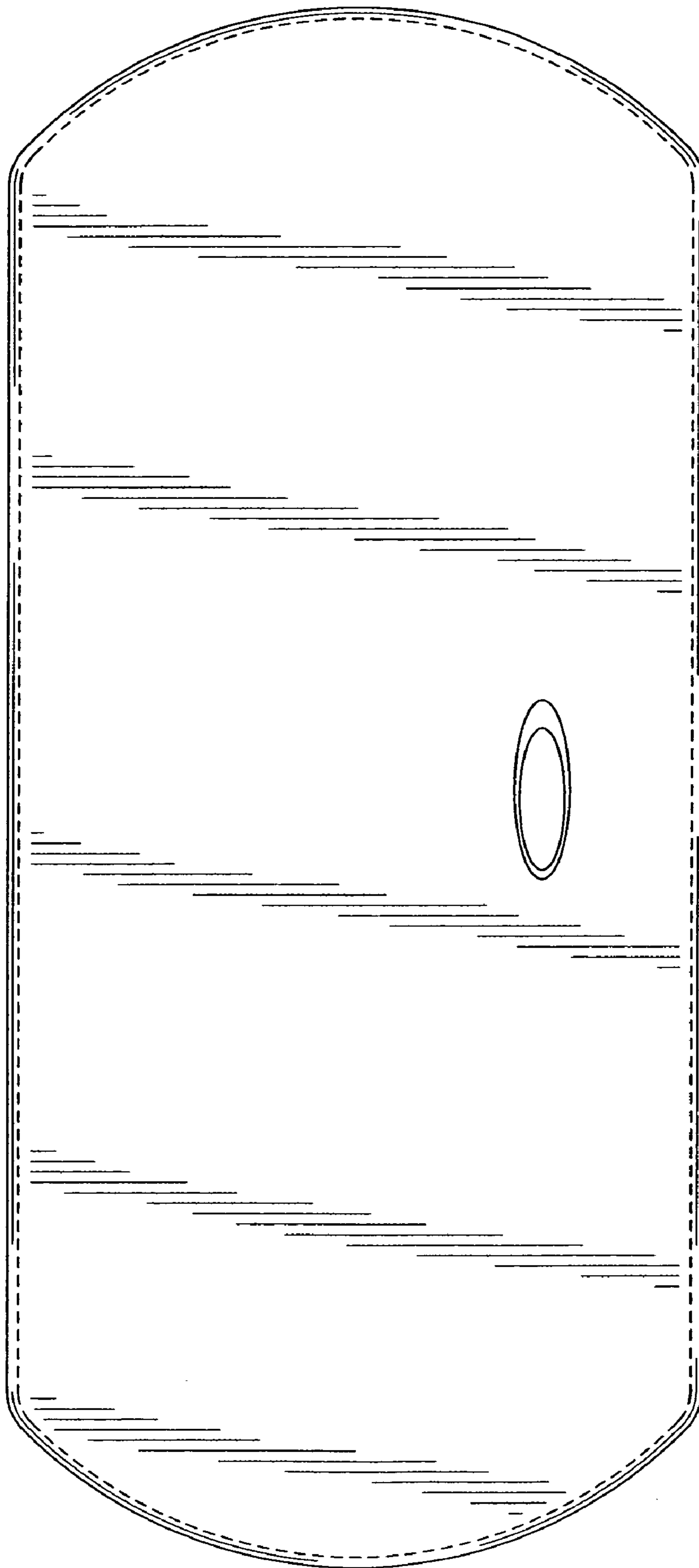


Fig. 5

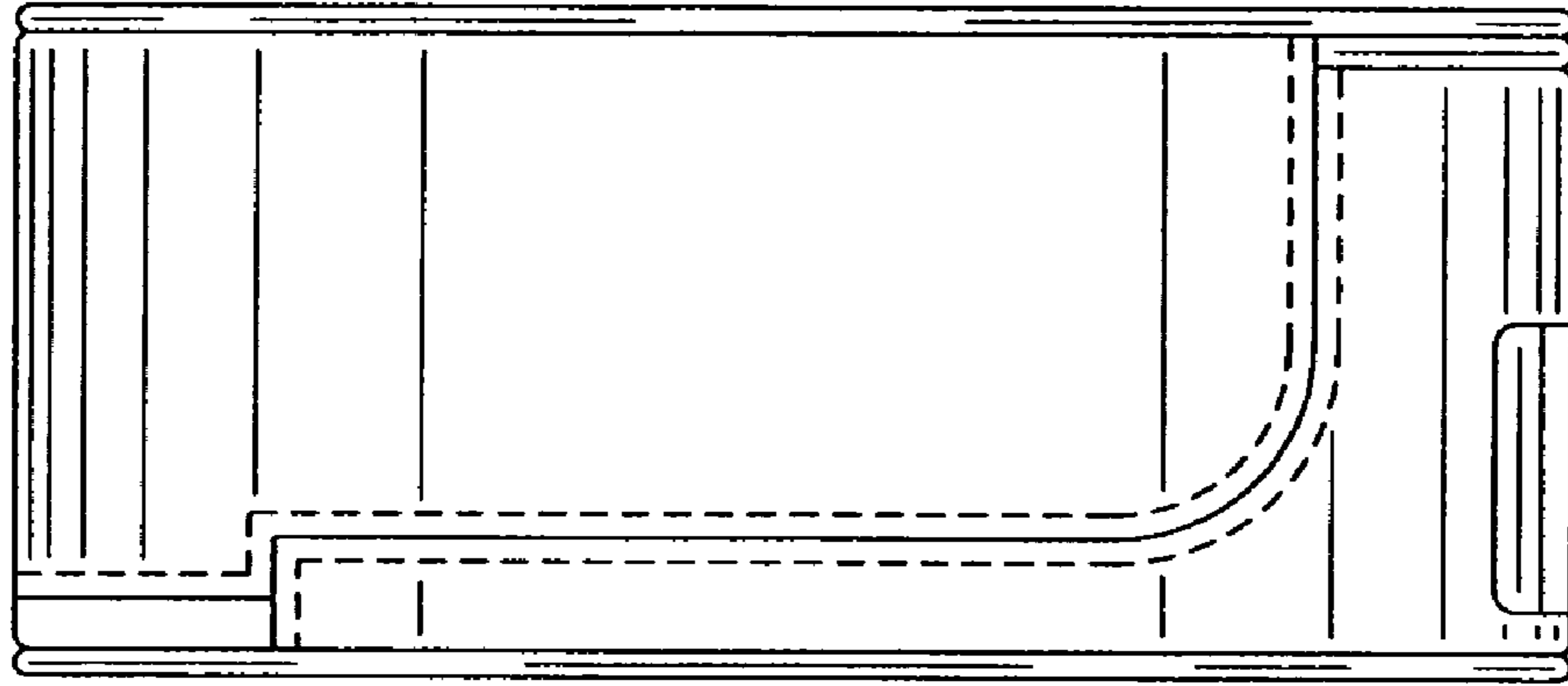


Fig. 4

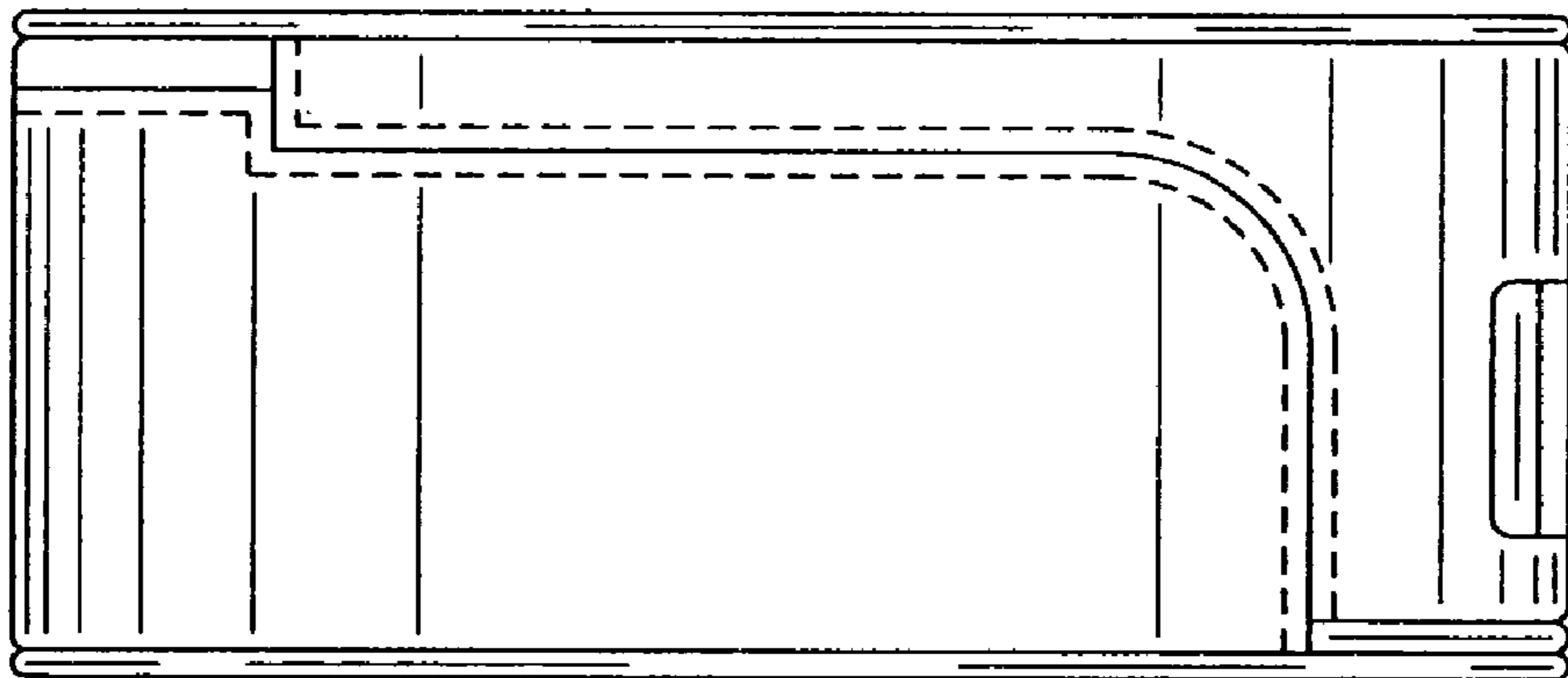


Fig. 6

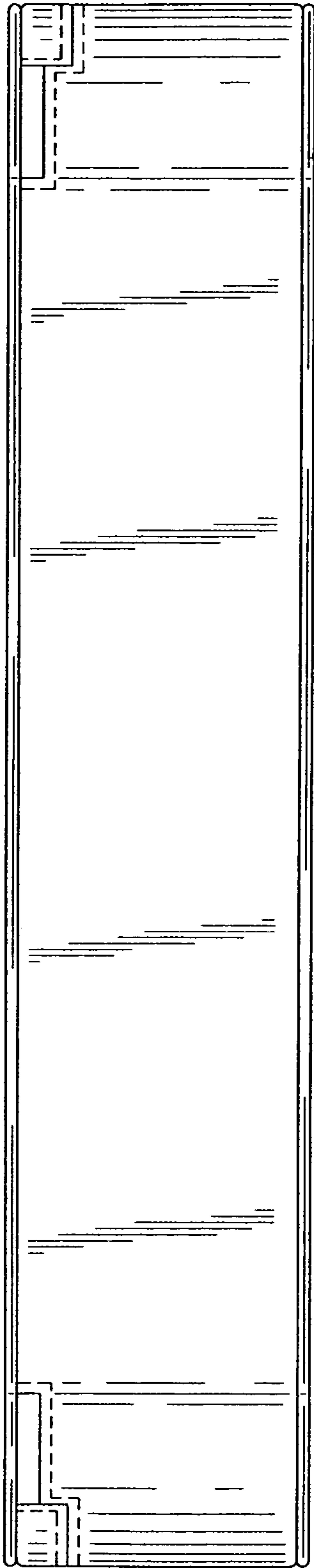
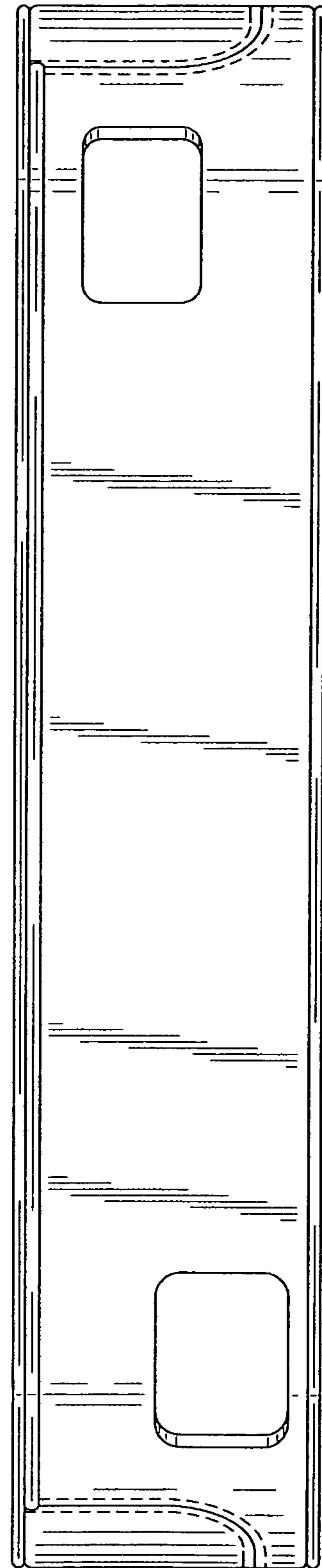


Fig. 7



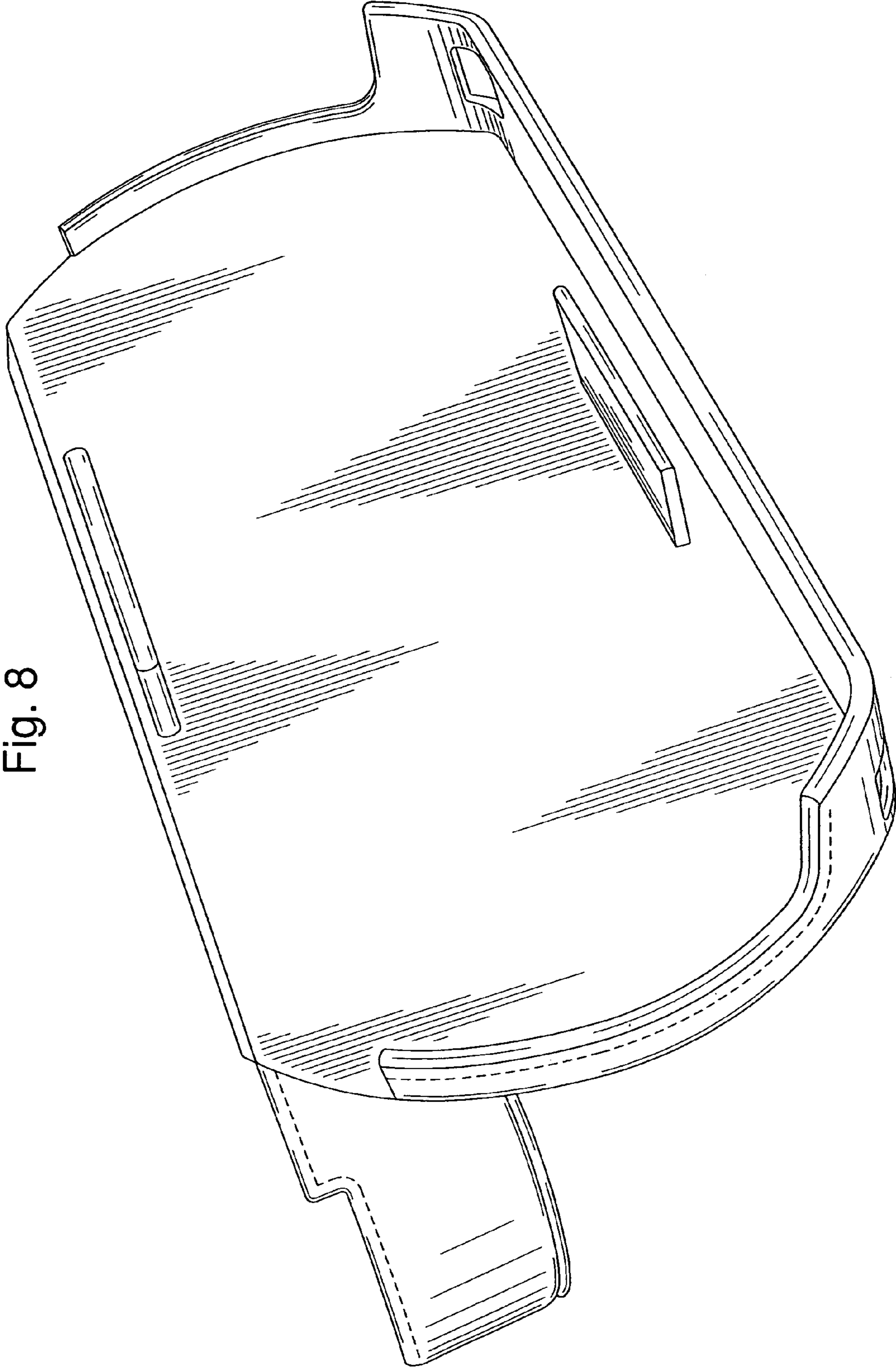


Fig. 8