

US00D547543S

(12) **United States Design Patent**  
**Dunn**

(10) **Patent No.:** **US D547,543 S**  
(45) **Date of Patent:** **\*\* Jul. 31, 2007**

(54) **BASKET**

(75) Inventor: **Yu-Jen Dunn**, Taipei (TW)

(73) Assignee: **Prym Consumer USA Inc.**,  
Spartanburg, SC (US)

(\*\*) Term: **14 Years**

(21) Appl. No.: **29/237,718**

(22) Filed: **Sep. 6, 2005**

(51) **LOC (8) Cl.** ..... **03-01**

(52) **U.S. Cl.** ..... **D3/21; D3/22; D3/276**

(58) **Field of Classification Search** ..... **D3/20–23,**  
**D3/26–27, 271.8, 273, 277; 223/107**  
See application file for complete search history.

(56) **References Cited**

**U.S. PATENT DOCUMENTS**

202,048	A *	4/1878	Pickens	223/107
561,874	A *	6/1896	Eager et al.	223/107
1,302,305	A *	4/1919	Byers	223/107
1,894,868	A *	1/1933	Hokerk	223/107
D118,677	S *	1/1940	Sstoehr	D3/277
D136,154	S *	8/1943	Beauchamp	D3/20
D149,414	S *	4/1948	Jahn et al.	D3/21
D158,422	S *	5/1950	Ulvad	D3/20
2,537,725	A	1/1951	Watson	
2,675,949	A *	4/1954	Severson	223/107
D177,938	S	6/1956	Rosenberg	
D177,939	S	6/1956	Rosenberg	
2,787,821	A	4/1957	Shukait	
2,808,171	A	10/1957	Wilson	
D221,725	S *	9/1971	Tatum	D3/27
D240,888	S	8/1976	Roussel	
D268,378	S *	3/1983	Sims	D3/27
4,499,999	A	2/1985	Behar	
D289,127	S	4/1987	Blumenthal	
5,020,672	A *	6/1991	Watts	206/575
D320,142	S	9/1991	Kin	
D333,386	S	2/1993	Kahl	
D365,207	S	12/1995	Lacy	
D385,698	S	11/1997	Lacy	

D390,359	S	2/1998	Lacy
D396,748	S	8/1998	Dodds
D415,897	S	11/1999	Lacy et al.
D416,683	S	11/1999	Lacy et al.
D434,227	S	11/2000	Lacy et al.
D443,984	S	6/2001	Lacy et al.
6,247,328	B1	6/2001	Mogil
D463,913	S	10/2002	Lacy et al.
D469,610	S	2/2003	Corp et al.
D471,015	S	3/2003	Lacy et al.
D504,566	S	5/2005	Guy
D526,122	S	8/2006	Dodds

**OTHER PUBLICATIONS**

Apple Pincushion Sewing Box from Clotilde. Downloaded Mar. 27, 2006 at [http://www.clotilde.com/detail.html?source=froogle&prod\\_id=2445](http://www.clotilde.com/detail.html?source=froogle&prod_id=2445). (Cited as general reference only; not as prior art.)\*  
Small Soire Sage Sewing Basket, Jo-Ann Stores, Sep. 27, 2006  
<http://www.amazon.com/Small-Soire-Sage-Sewing-Basket/dp/B0002TTLU4/sf=8-15/qid=>.

(Continued)

*Primary Examiner*—Philip S. Hyder  
*Assistant Examiner*—RoseLynne (Ulm) Cody  
(74) *Attorney, Agent, or Firm*—J. Bennett Mullinax, LLC

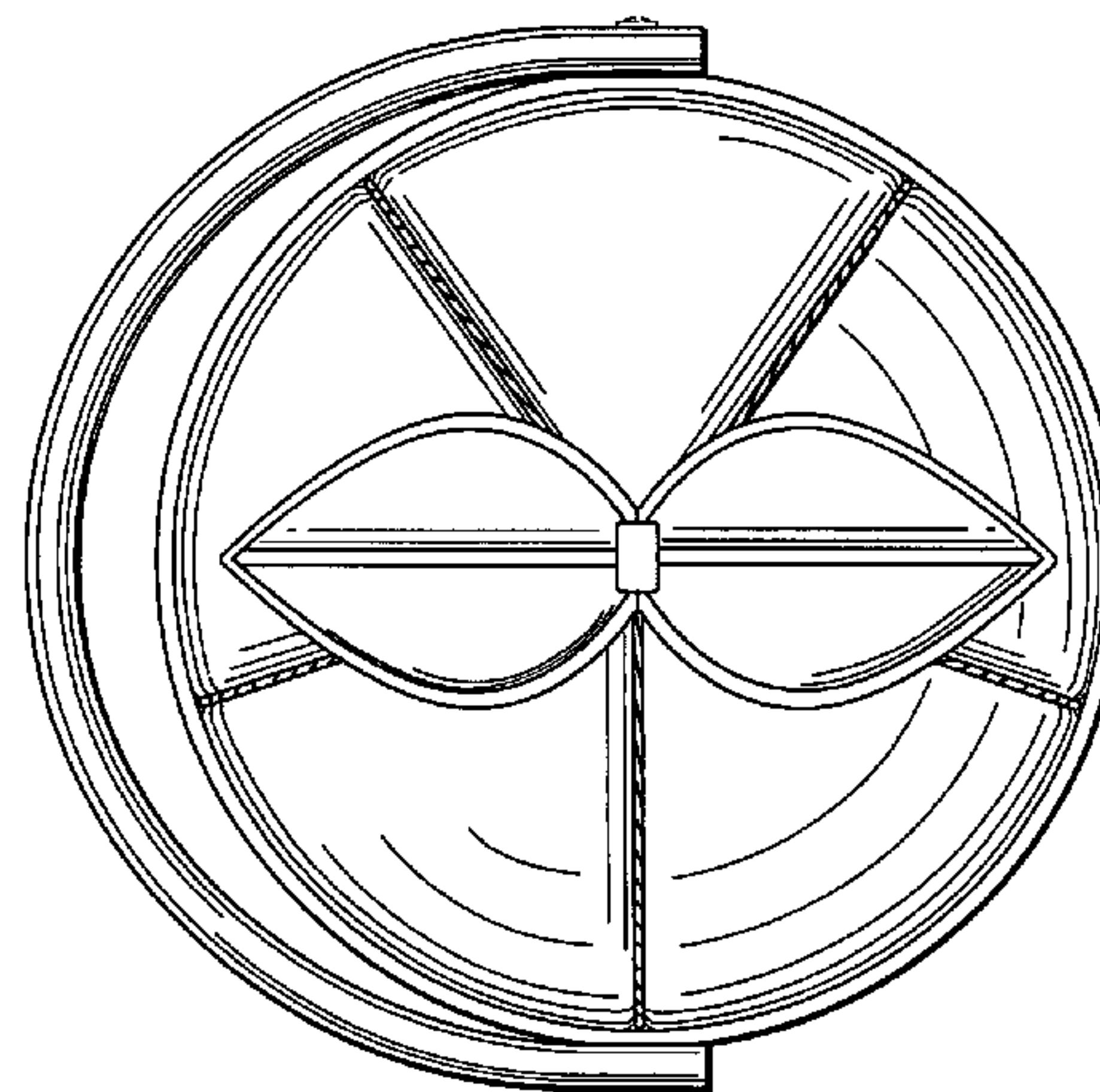
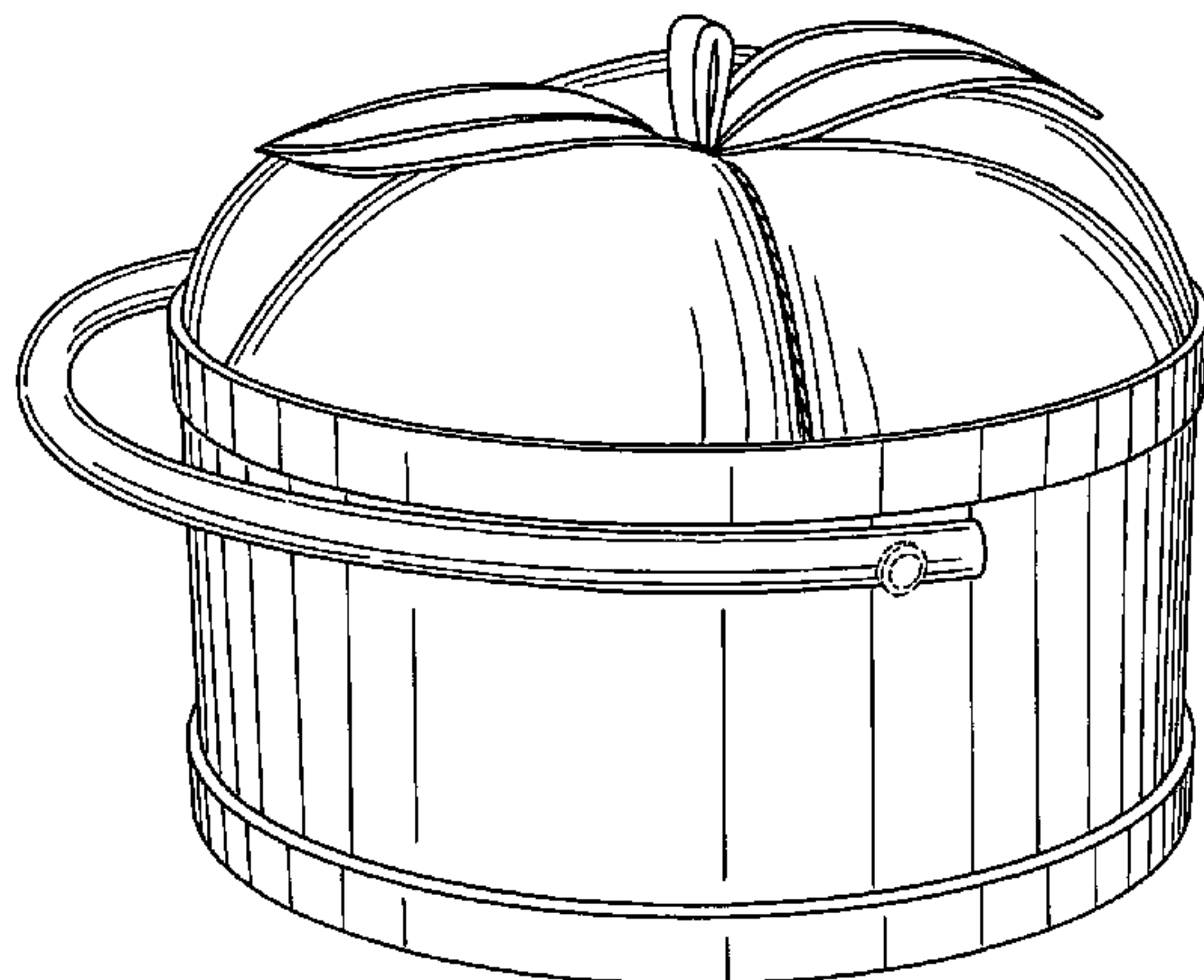
(57) **CLAIM**

The ornamental design for a basket, as shown and described.

**DESCRIPTION**

FIG. 1 is a side perspective view of a basket design.  
FIG. 2 is a top plan view of the basket design.  
FIG. 3 is an elevation view of the right side of the basket.  
FIG. 4 is a bottom plan view of the basket.  
FIG. 5 is a left elevation view of the basket.  
FIG. 6 is a front elevation view of the basket; and,  
FIG. 7 is a rear elevation view of the basket.  
The broken lines form no part of the claimed design, the broken lines being for illustrative purposes only.

**1 Claim, 4 Drawing Sheets**

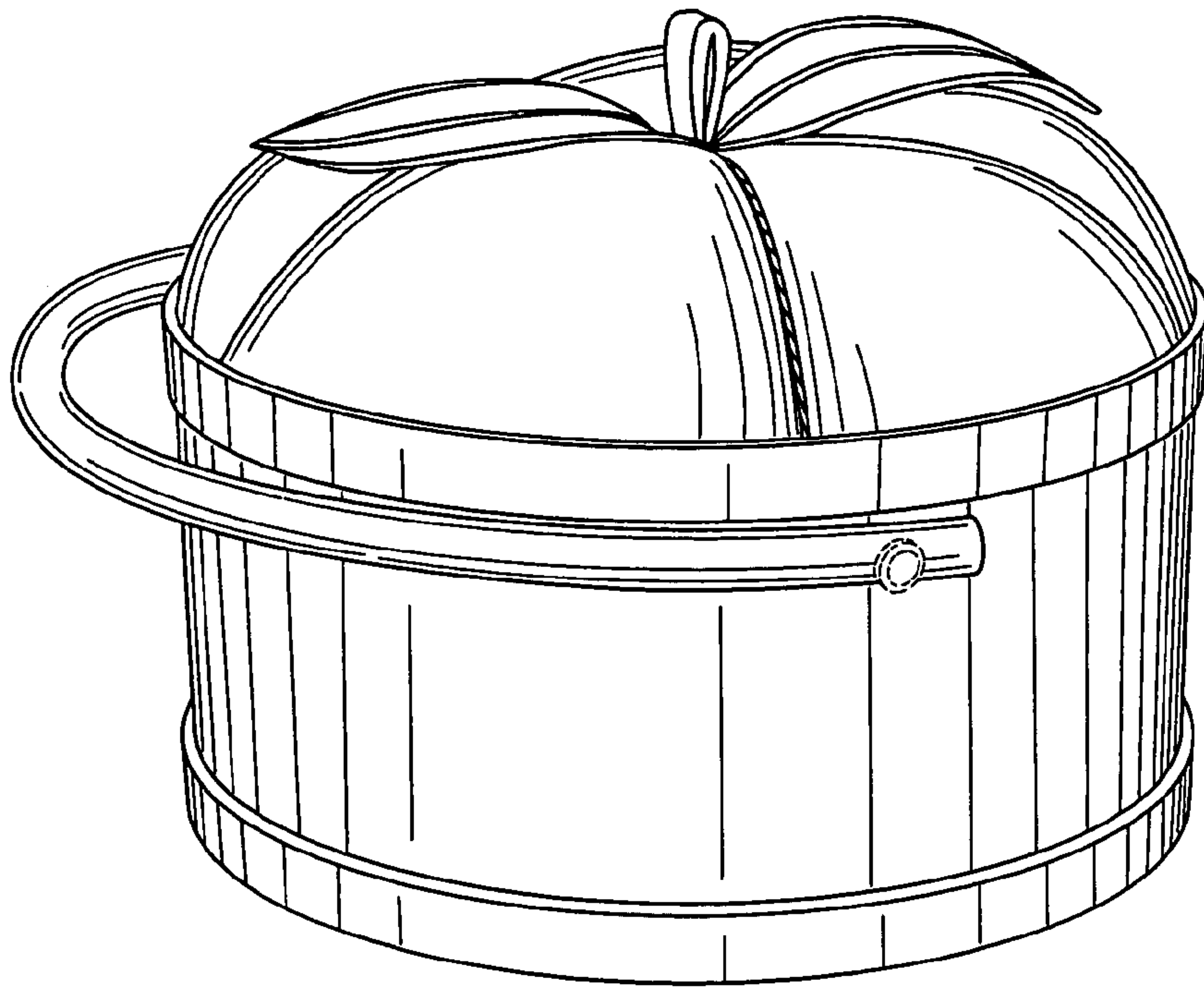


OTHER PUBLICATIONS

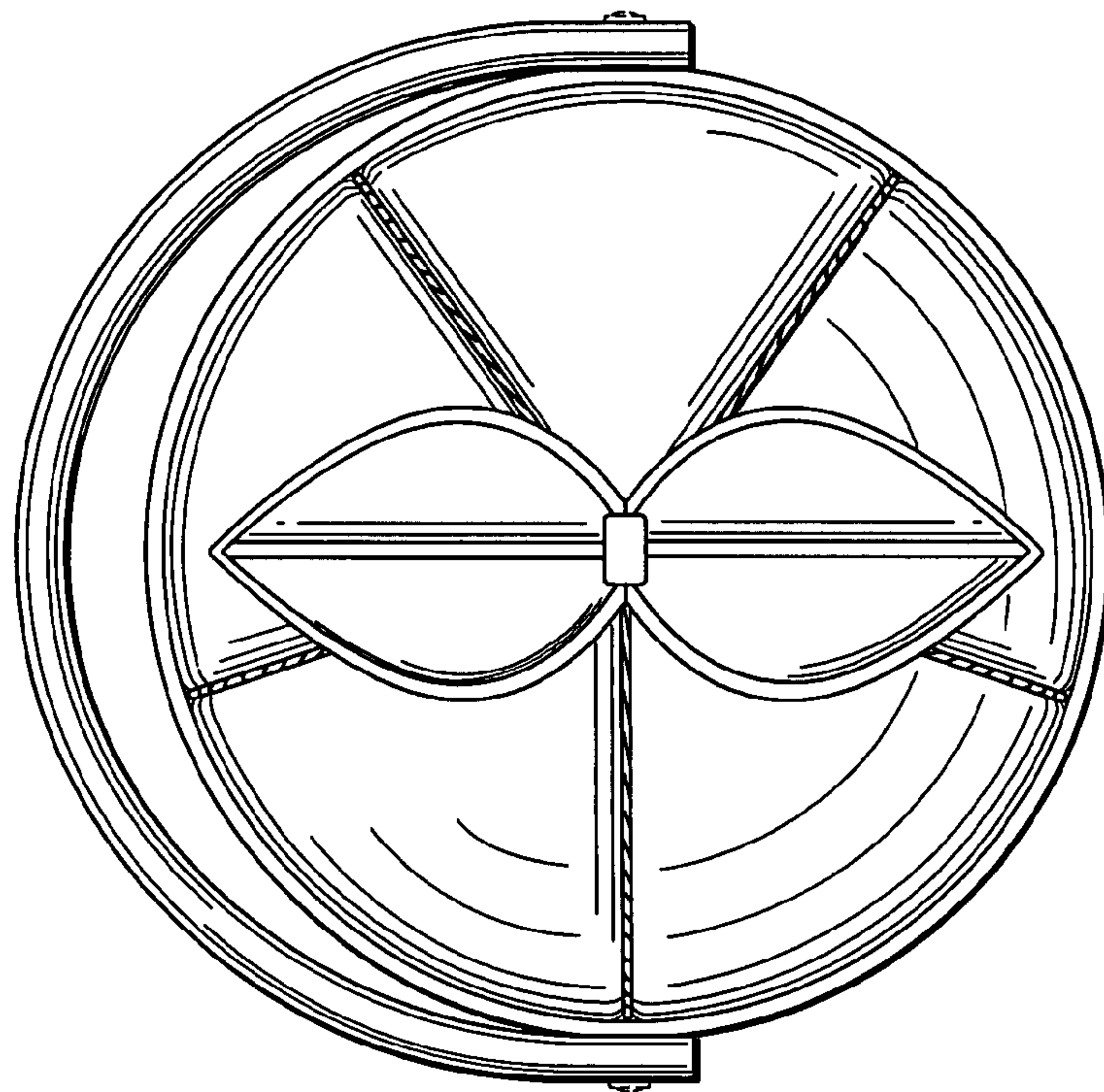
Small Paris Sage-Sewing Basket, Jo-Ann Stores, Sep. 27, 2006  
<http://www.joann.com/catalog.jhtml?CATID=106971&PRODID=92263>.

Small Zia Patina-Sewing Basket, Jo-Ann Stores, Sep. 27, 2006  
<http://www.joann.com/catalog.jhtml?CATID=106971&PRODID=92260>.

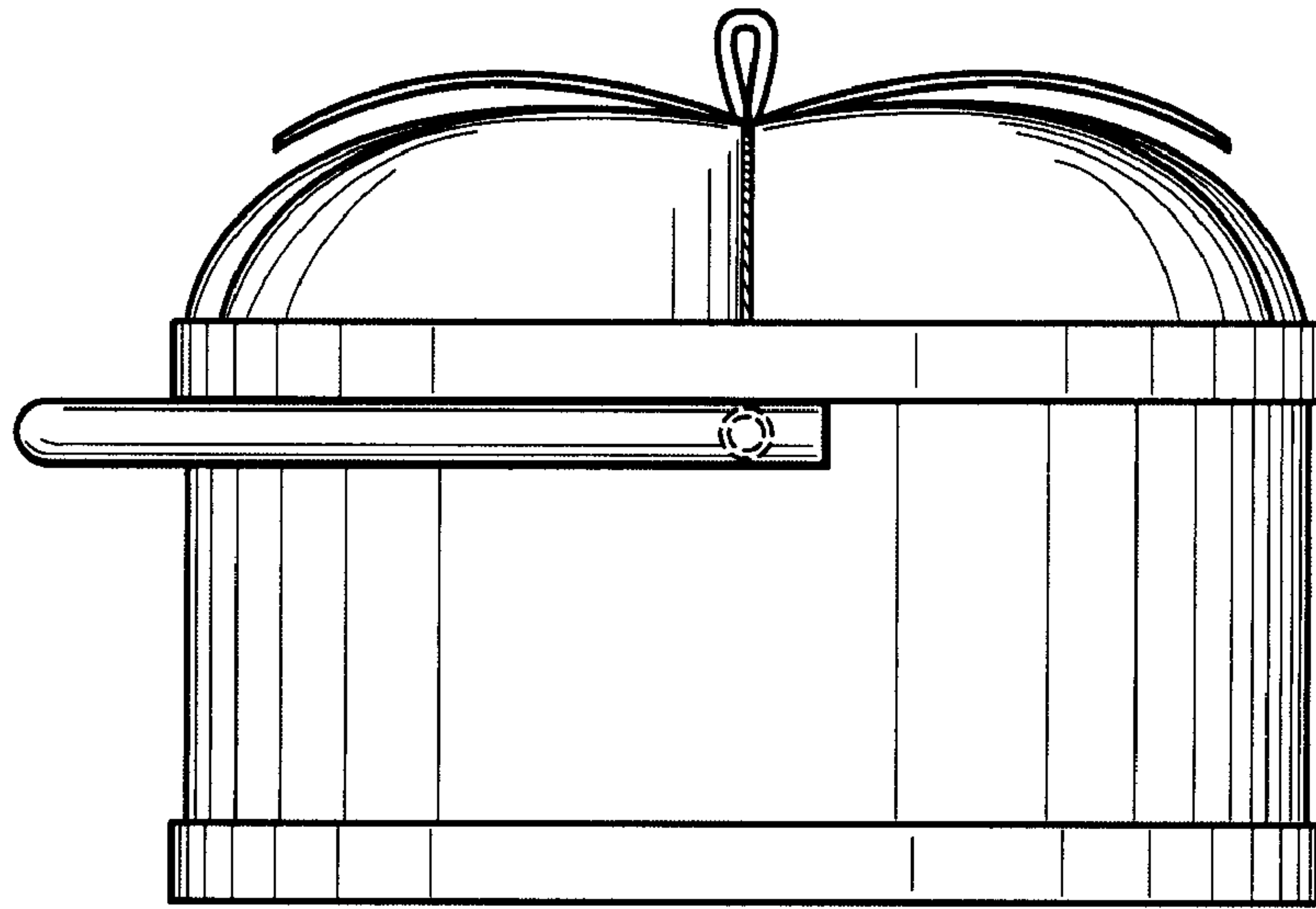
\* cited by examiner



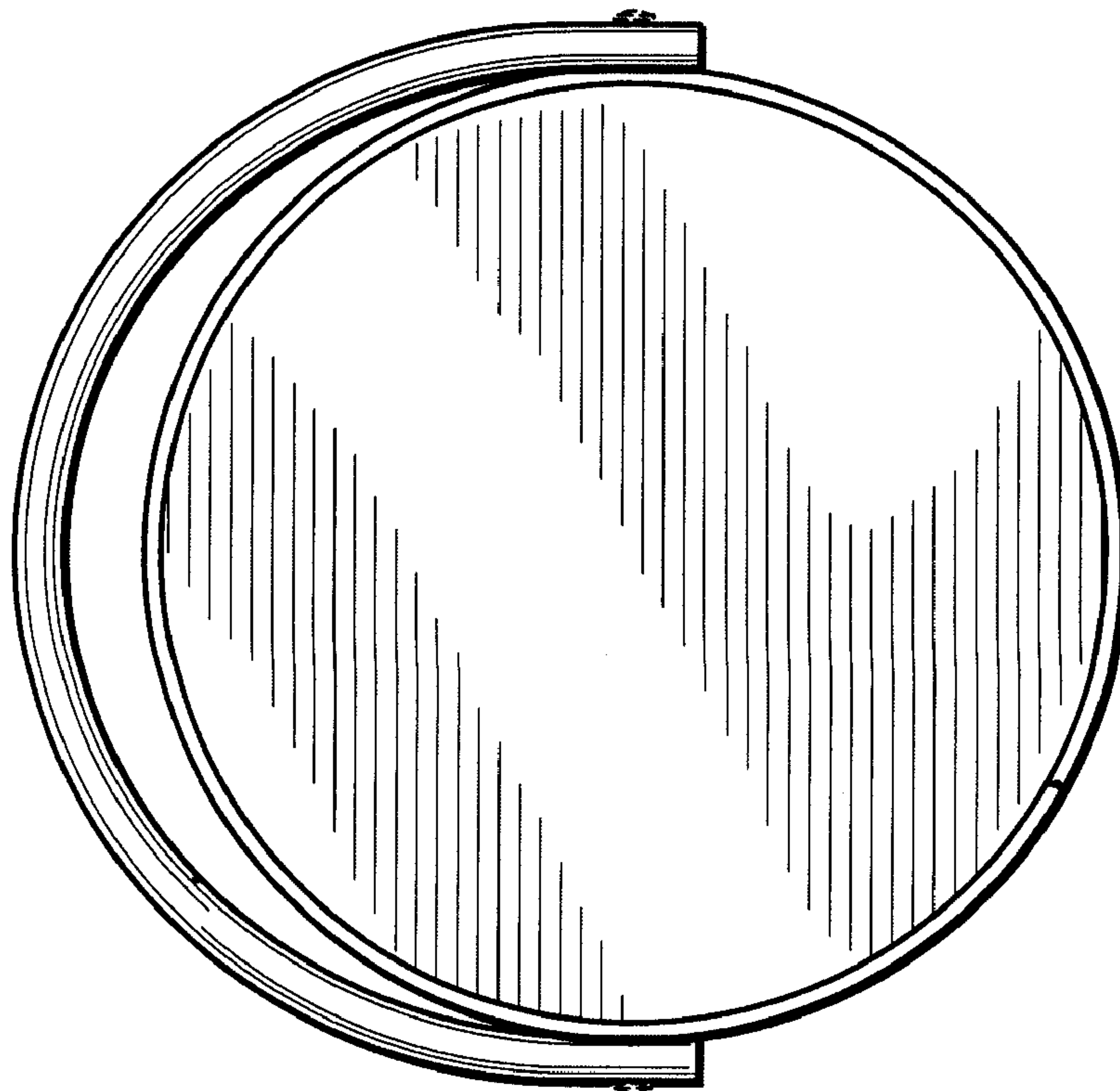
*Fig. 1*



*Fig. 2*

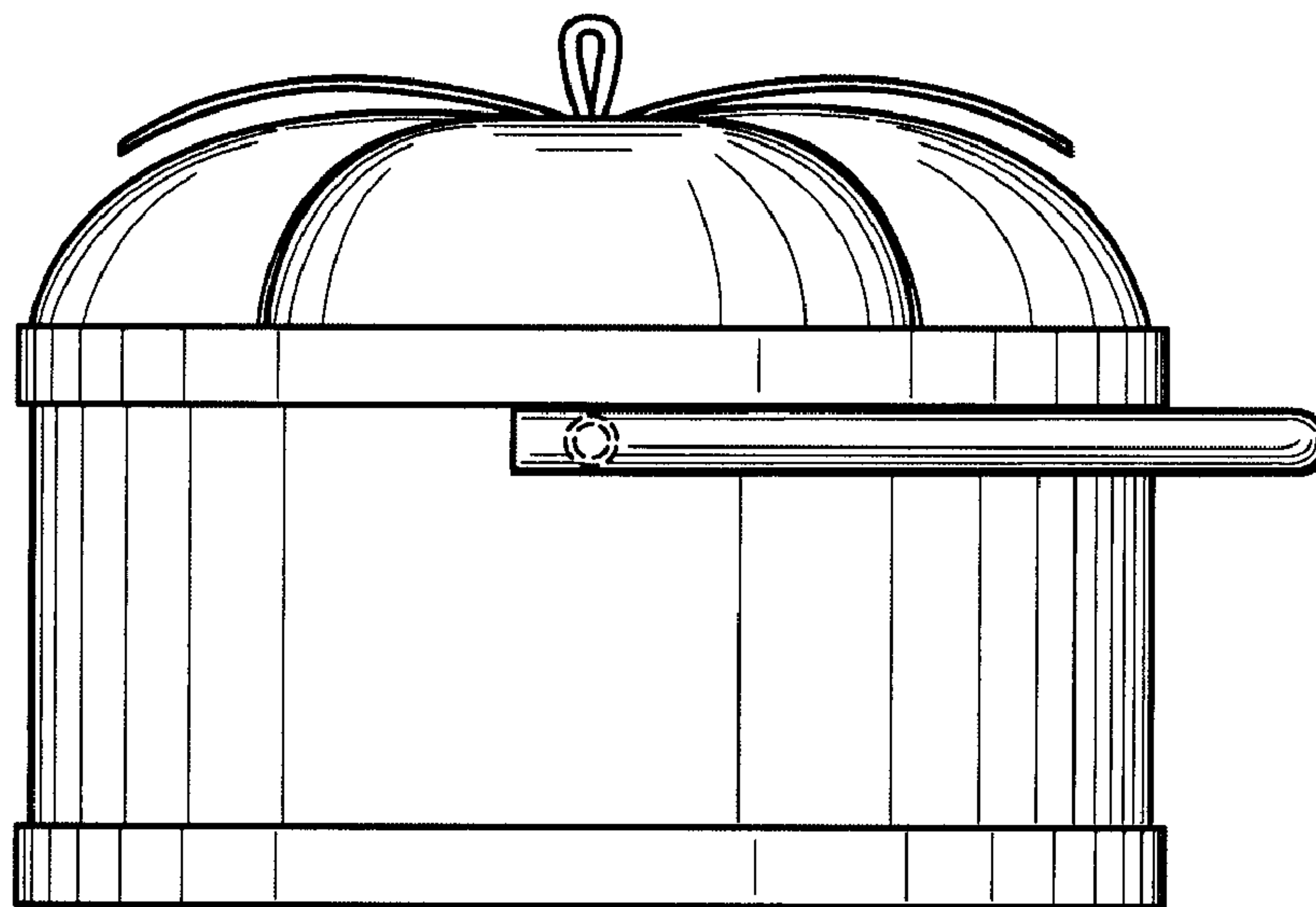


*Fig. 3*

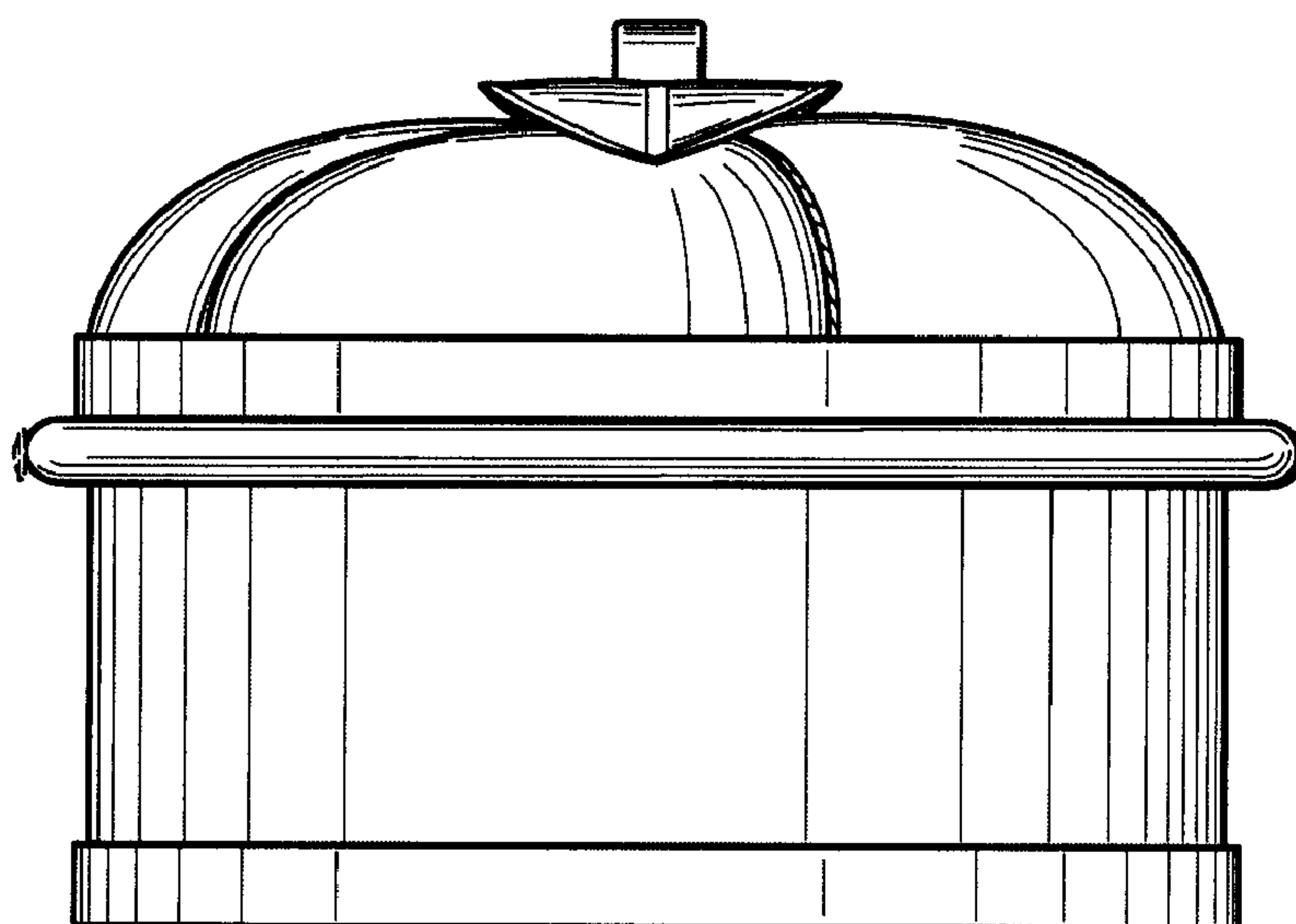


*Fig. 4*

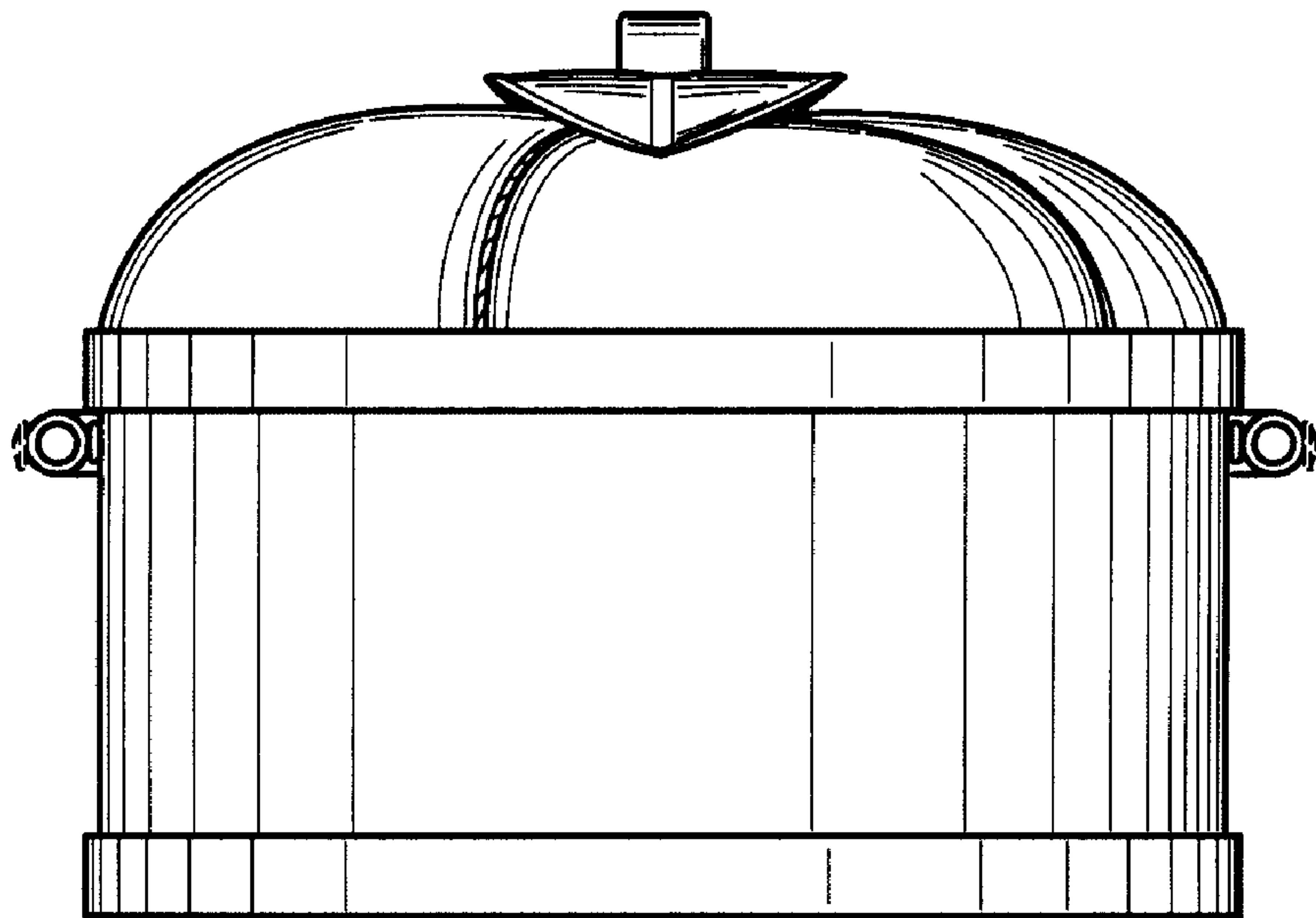




*Fig. 5*



*Fig. 6*



*Fig. 7*