

US00D547542S

(12) **United States Design Patent**  
**Vellrath**

(10) **Patent No.:** **US D547,542 S**  
(45) **Date of Patent:** **\*\* Jul. 31, 2007**

(54) **HANDLE FOR PHYSICAL ASSISTANCE DEVICES**

FOREIGN PATENT DOCUMENTS

GB 2057896 A 4/1981

(75) Inventor: **Andrew Vellrath**, New Castle, DE (US)

(Continued)

(73) Assignee: **Full Life Products, LLC**, Moorestown, NJ (US)

OTHER PUBLICATIONS

Roller Cane Co. advertisement, Traveler, 1 pg., no date.\*

(\*\*) Term: **14 Years**

(Continued)

(21) Appl. No.: **29/215,837**

*Primary Examiner*—Lou Zarfaz

*Assistant Examiner*—Anhdao Doan

(22) Filed: **Oct. 25, 2004**

(74) *Attorney, Agent, or Firm*—Morgan, Lewis & Bockius LLP

(51) **LOC (8) Cl.** ..... **03-03**

(52) **U.S. Cl.** ..... **D3/12**

(58) **Field of Classification Search** ..... D3/5-17;  
135/65-68, 72, 73, 76, 77, 911; D8/107,  
D8/303, 306, 307; D12/130, 133, 105  
See application file for complete search history.

(57) **CLAIM**

The ornamental design for a handle for physical assistance devices, as shown and described.

(56) **References Cited**

**DESCRIPTION**

U.S. PATENT DOCUMENTS

1,307,058 A	6/1919	McGrath	
2,244,869 A	6/1941	Everest et al.	
D142,549 S *	10/1945	Fink .....	D3/16
D187,450 S	3/1960	Maxwell	
D187,842 S *	5/1960	Jeys .....	D3/16
3,133,551 A	5/1964	Murcott	
3,157,187 A	11/1964	Murcott	
3,165,314 A	1/1965	Clearman et al.	
3,273,575 A	9/1966	Aldrich	
3,350,095 A	10/1967	Clasen	
D218,602 S *	9/1970	Malasky .....	D12/179
D229,728 S	12/1973	Thomas	
D230,531 S	2/1974	Thomas	
3,884,327 A	5/1975	Zigman	
4,044,784 A	8/1977	Smith	
4,046,374 A	9/1977	Breyley	
4,062,372 A	12/1977	Slusher	

FIG. 1 is an isometric view of a handle for physical assistance devices in accordance with the invention;

FIG. 2 is a rear view of a handle for physical assistance devices;

FIG. 3 is a front view of a handle for physical assistance devices;

FIG. 4 is a right side view of a handle for physical assistance devices, the left side being a mirror image of the right side;

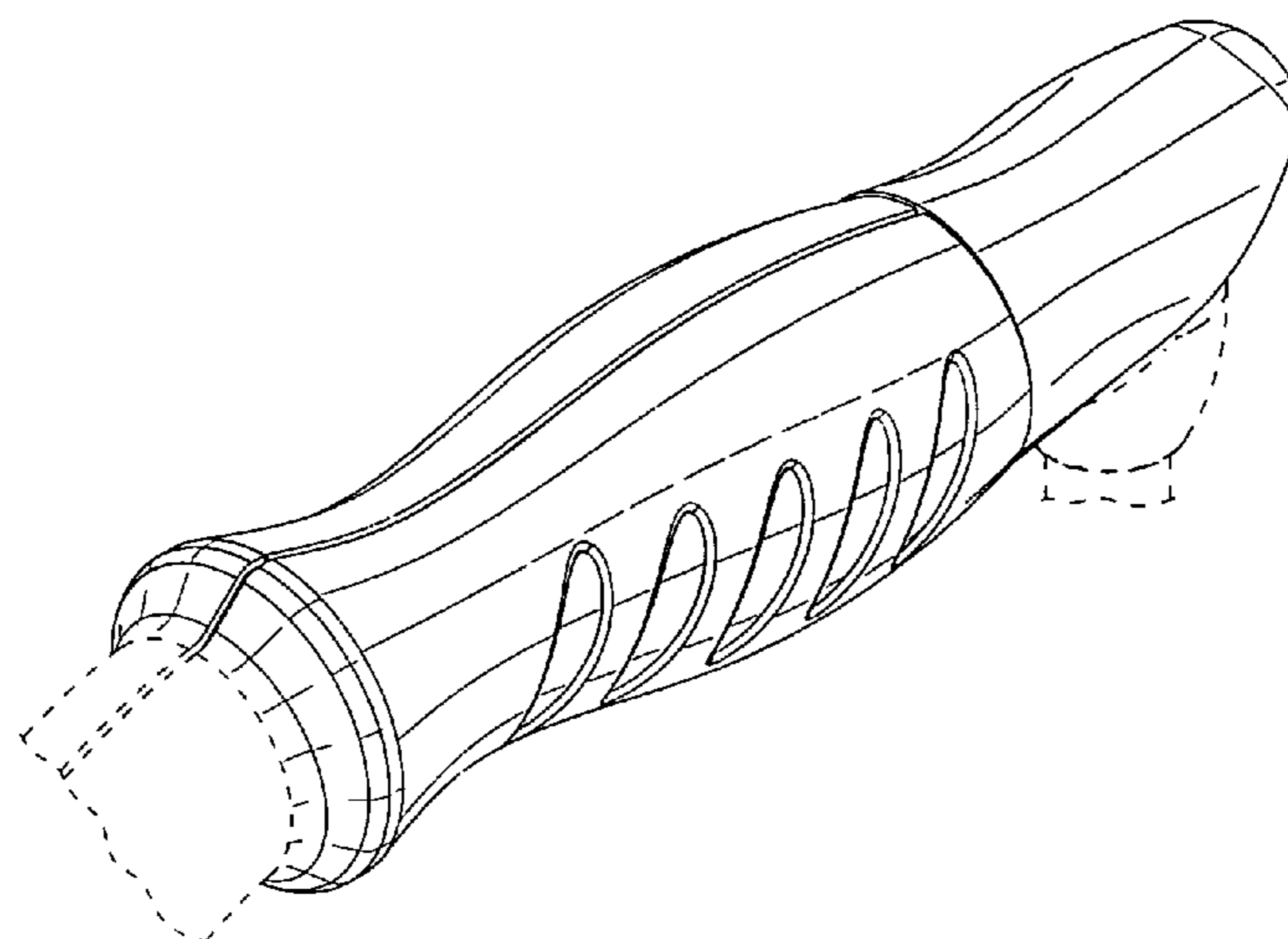
FIG. 5 is a top view of a handle for physical assistance devices; and,

FIG. 6 is a bottom view of a handle for physical assistance devices.

The broken lines in the drawings are for illustrative purposes only and form no part of the claimed design.

(Continued)

**1 Claim, 2 Drawing Sheets**



# US D547,542 S

## U.S. PATENT DOCUMENTS

4,091,828	A	5/1978	Jorgensen	
4,106,521	A	8/1978	Thomas	
4,135,535	A	1/1979	Thomas	
4,258,735	A	3/1981	Meade	
4,274,430	A	6/1981	Schaaf et al.	
4,341,381	A	7/1982	Norberg	
4,342,465	A	8/1982	Stillings	
D272,677	S	2/1984	Bove et al.	
4,550,802	A	11/1985	Roper	
4,559,962	A	12/1985	Marchiano	
4,561,652	A	12/1985	Wilkinson	
4,601,302	A	7/1986	Breen et al.	
D290,186	S	6/1987	Meunchen	
D295,694	S	5/1988	Mace	
4,787,405	A	11/1988	Karwoski	
4,796,648	A	1/1989	Goulter	
4,834,127	A	5/1989	Van Sice	
4,844,199	A	7/1989	Nimz	
4,962,781	A	10/1990	Kanbar	
4,974,871	A	12/1990	Mao	
4,993,446	A	2/1991	Yarbrough	
4,997,001	A	3/1991	DiCarlo	
5,025,820	A *	6/1991	Gamper .....	135/69
5,056,545	A	10/1991	Spaeth	
5,090,434	A	2/1992	Hagan	
D324,946	S	3/1992	Karten	
5,112,044	A	5/1992	Dubats	
5,127,664	A	7/1992	Cheng	
D329,538	S	9/1992	Rau	
5,156,176	A	10/1992	Doorenbos	
5,188,138	A	2/1993	Yamasaki et al.	
5,201,334	A	4/1993	Tseng	
5,238,013	A	8/1993	Battiston et al.	
5,282,486	A	2/1994	Hoover	
5,301,704	A	4/1994	Brown	
5,307,828	A	5/1994	Gardner et al.	
5,318,057	A	6/1994	Wallum	
5,339,850	A	8/1994	Mertz	
5,355,904	A	10/1994	Wallum	
5,385,163	A	1/1995	Fairchild	
5,390,687	A	2/1995	Tsai	
5,392,800	A	2/1995	Sergi	
5,392,801	A	2/1995	Hannoosh et al.	
5,449,221	A	9/1995	Stander	
5,482,070	A	1/1996	Kelly	
5,495,867	A	3/1996	Block	
5,499,645	A	3/1996	Baliga	
5,588,457	A	12/1996	Tartaglia	
5,636,651	A	6/1997	Einbinder	
5,692,533	A	12/1997	Meltzer	
5,746,288	A	5/1998	O'Neal et al.	
5,785,070	A	7/1998	Block et al.	
5,794,638	A	8/1998	Richey et al.	
D401,192	S	11/1998	Gagnon	
D411,343	S	6/1999	Brightbill et al.	
D411,653	S	6/1999	Richey et al.	
5,941,262	A	8/1999	Tschirhart	
5,954,074	A	9/1999	Mattson	

5,983,912	A	11/1999	Leu	
6,003,532	A	12/1999	Pi	
D422,747	S	4/2000	Evans	
D426,129	S *	6/2000	Pringle et al. ....	D8/80
D428,367	S	7/2000	Lundh	
6,158,453	A	12/2000	Nasco	
D439,625	S	3/2001	Tamaribuchi	
D441,162	S	4/2001	Grove et al.	
6,217,056	B1	4/2001	Tsuchie	
D442,446	S *	5/2001	Hortnagl .....	D8/10
D444,605	S	7/2001	Porter	
D448,151	S	9/2001	Outlaw	
6,318,392	B1	11/2001	Chen	
6,338,355	B1	1/2002	Cheng	
D455,985	S	4/2002	Olivares	
D457,840	S	5/2002	Hsia	
6,454,357	B1	9/2002	Foulger	
6,494,469	B1	12/2002	Hara et al.	
D468,669	S	1/2003	Hopely, Jr.	
D480,995	S	10/2003	Owens	
6,675,820	B2	1/2004	Balan	
6,708,705	B2	3/2004	Nasco, Sr.	
6,715,794	B2	4/2004	Frank	
D494,109	S	8/2004	Karasin et al.	
6,877,519	B2	4/2005	Fink	
D506,419	S	6/2005	Coster	
D522,342	S *	6/2006	Kwan .....	D8/107
D526,184	S *	8/2006	Yu et al. ....	D8/107
2001/0038186	A1	11/2001	Wychozowycz	
2003/0094191	A1	5/2003	Lin	
2003/0111100	A1	6/2003	Bell et al.	
2004/0216776	A1	11/2004	Otis	
2005/0093326	A1	5/2005	Miller et al.	

## FOREIGN PATENT DOCUMENTS

JP	8089322	4/1996
JP	10071181	3/1998
JP	2004357731	12/2004

## OTHER PUBLICATIONS

Roller Cane Walker Co. advertisement, 1 pg., no date.\*  
 Roller Cane Walker with Brake advertisement, Traveling Helper, 2 pgs., no date.\*  
 Roller Cane Walker with Brake advertisement, Companion, 1 pg., no date.\*  
 U.S. Appl. No. 11/107,198, filed Apr. 15, 2005, Tartaglia.  
 U.S. Appl. No. 11/107,260, filed Apr. 15, 2005, Tartaglia.  
 U.S. Appl. No. 29/215,880, filed Oct. 25, 2004, Karasin et al.  
 U.S. Appl. No. 29/215,901, filed Oct. 25, 2004, Vellrath.  
 U.S. Appl. No. 29/215,883, filed Oct. 25, 2004, Reed et al.  
 U.S. Appl. No. 29/215,881, filed Oct. 25, 2004, Karasin et al.  
 U.S. Appl. No. 29/215,882, filed Oct. 25, 2004, Vellrath.  
 U.S. Appl. No. 29/215,836, filed Oct. 25, 2004, Karasin et al.  
 U.S. Appl. No. 29/215,899, filed Oct. 25, 2004, Karasin et al.  
 U.S. Appl. No. 29/215,902, filed Oct. 25, 2004, Reed et al.  
 U.S. Appl. No. 29/215,839, filed Oct. 25, 2004, Vellrath.  
 Declaration of John Tartaglia, executed on May 4, 2005.

\* cited by examiner

FIG. 1

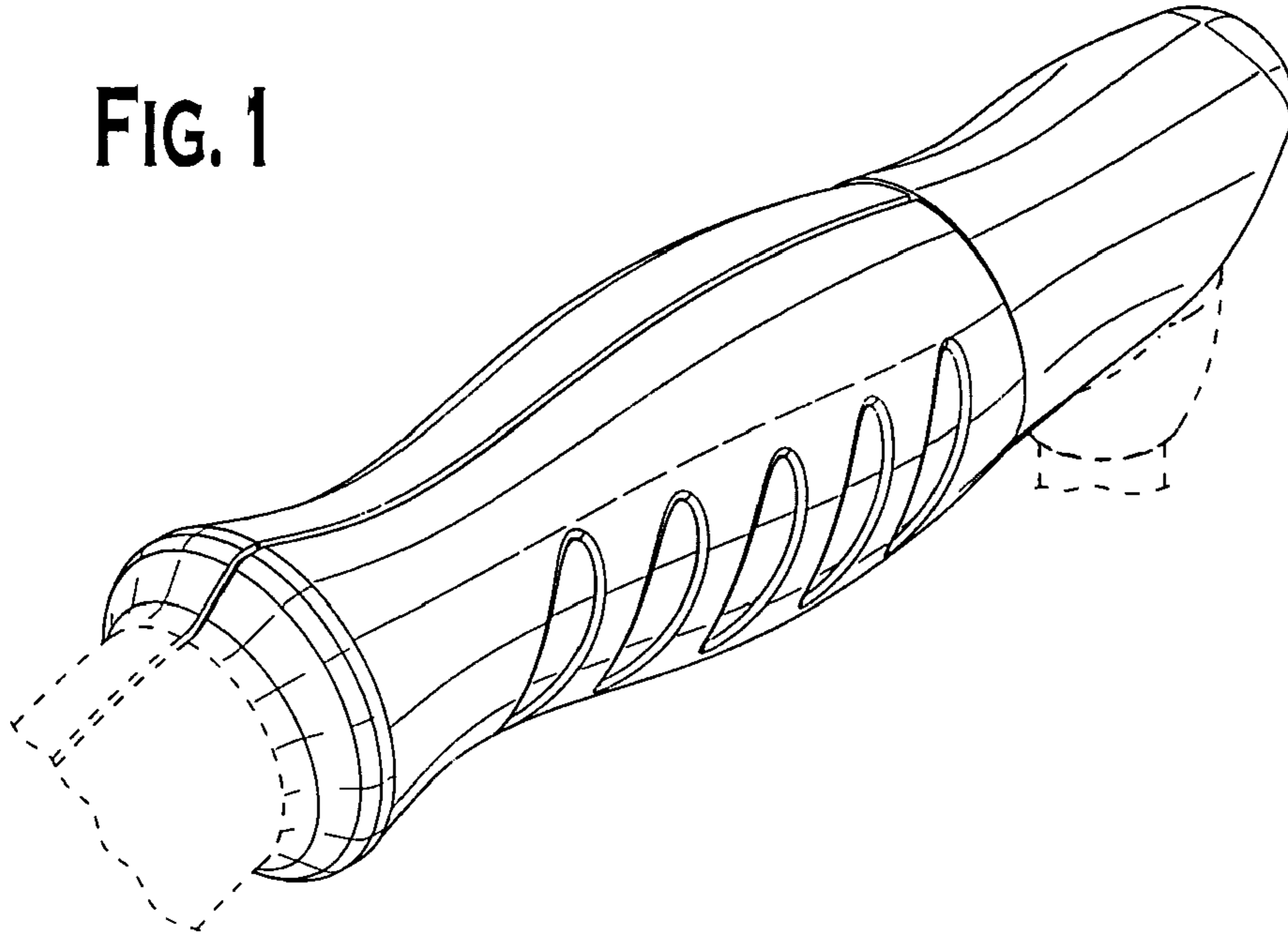


FIG. 3

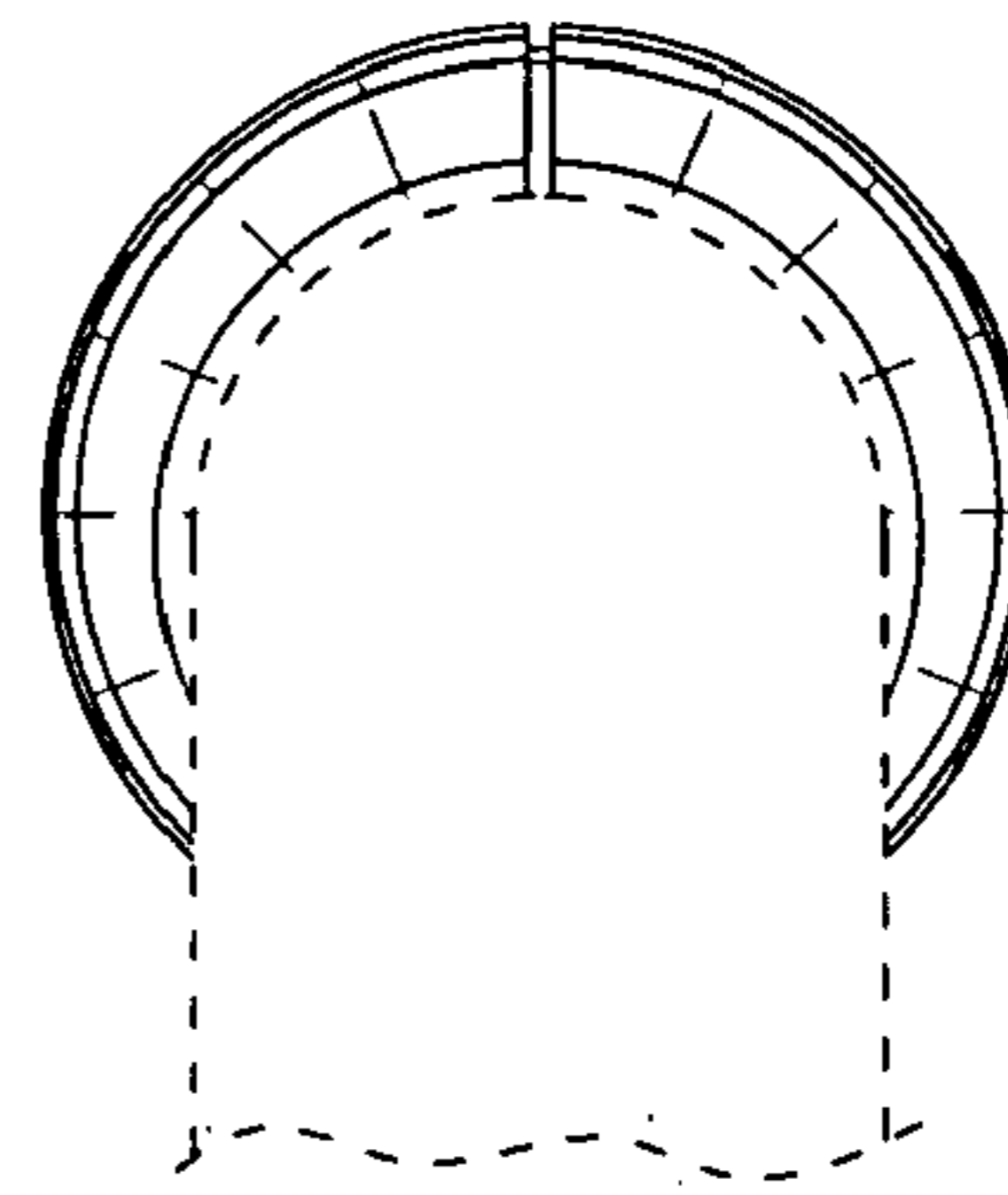
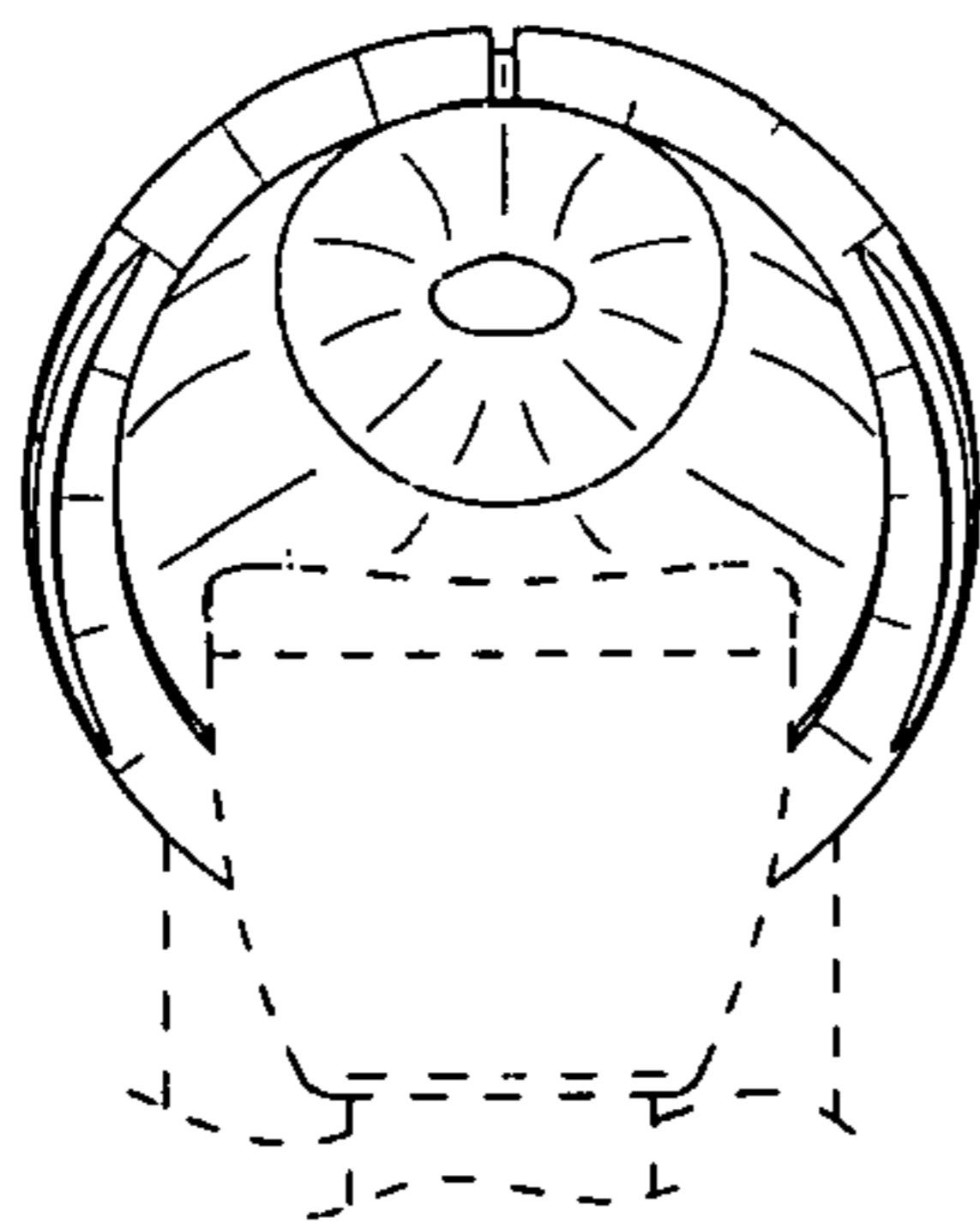
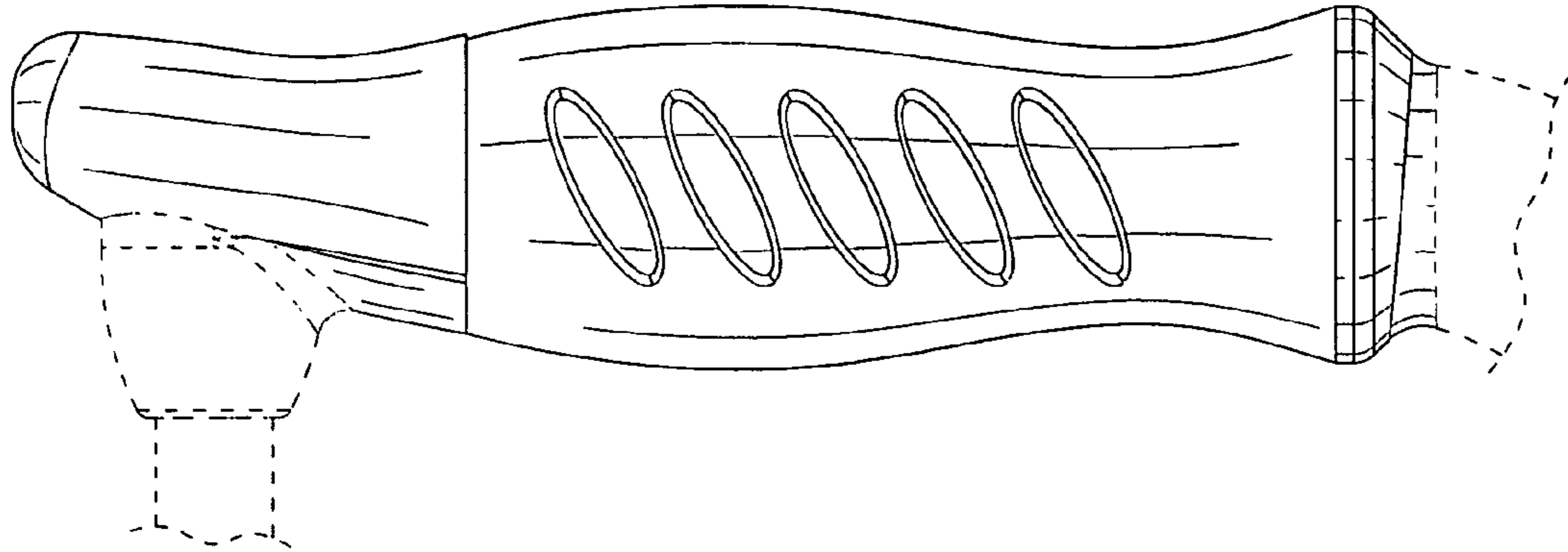


FIG. 2

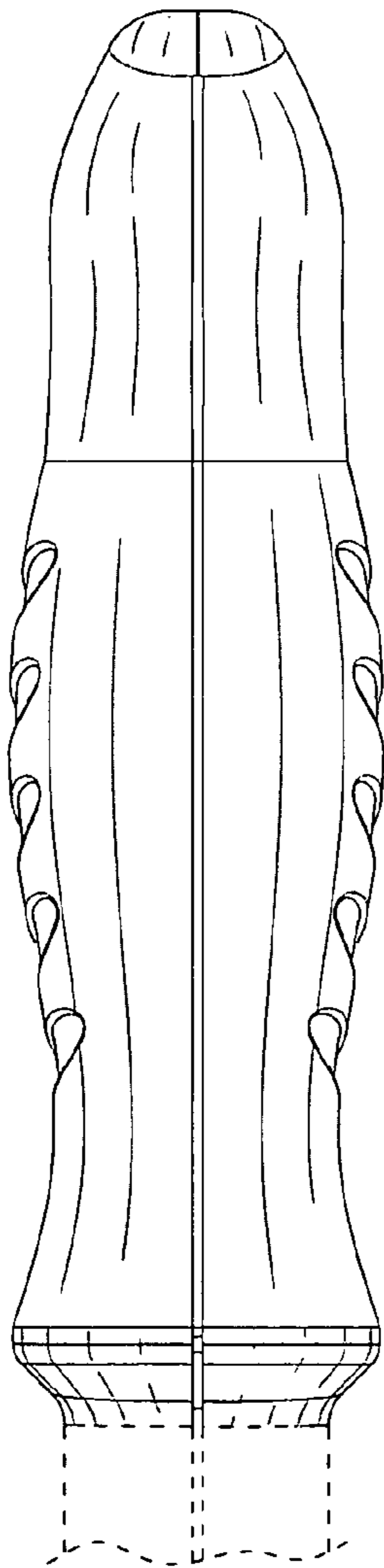




**FIG. 4**



**FIG. 5**



**FIG. 6**

