

US00D547534S

(12) **United States Design Patent**  
**Schindler et al.**

(10) **Patent No.:** **US D547,534 S**

(45) **Date of Patent:** **\*\* Jul. 31, 2007**

(54) **BLADDER FOR A SHOE SOLE**

(75) Inventors: **Eric Steven Schindler**, Portland, OR (US); **Troy C. Lindner**, Portland, OR (US); **Sebastien Mermet**, Creteil (FR); **Andrew Caine**, Portland, OR (US)

(73) Assignee: **Nike, Inc.**, Beaverton, OR (US)

(\*\*) Term: **14 Years**

(21) Appl. No.: **29/275,598**

(22) Filed: **Dec. 29, 2006**

(51) **LOC (8) Cl.** ..... **02-99**

(52) **U.S. Cl.** ..... **D2/961**

(58) **Field of Classification Search** ..... D2/902,  
D2/906-908, 943, 944, 961, 968, 972-974;  
36/45, 50.1, 77 M, 77 R, 83, 88, 113, 114,  
36/126-131, 28, 29

See application file for complete search history.

(56) **References Cited**

**U.S. PATENT DOCUMENTS**

D293,161 S *	12/1987	Stevens, Jr. ....	D2/968
4,817,304 A *	4/1989	Parker et al. ....	36/114
D336,772 S	6/1993	Forland et al.	
5,313,717 A *	5/1994	Allen et al. ....	36/28
D349,804 S *	8/1994	Passke et al. ....	D2/961
5,353,459 A *	10/1994	Potter et al. ....	12/146 R
D364,036 S *	11/1995	Passke et al. ....	D2/961
D407,194 S *	3/1999	Brandt et al. ....	D2/961

6,023,859 A	2/2000	Burke et al.	
D440,386 S	4/2001	James	
6,253,466 B1	7/2001	Harmon-Weiss et al.	
6,374,514 B1 *	4/2002	Swigart .....	36/35 B
6,385,864 B1	5/2002	Sell, Jr. et al.	
6,457,262 B1 *	10/2002	Swigart .....	36/29
6,557,274 B2	5/2003	Litchfield et al.	
D496,526 S *	9/2004	Grisoni et al. ....	D2/961
7,000,335 B2	2/2006	Swigart et al.	

\* cited by examiner

*Primary Examiner*—Dominic Simone

(74) *Attorney, Agent, or Firm*—Banner & Witcoff, Ltd.

(57) **CLAIM**

The ornamental design for a bladder for a shoe sole, as shown and described.

**DESCRIPTION**

FIG. 1 is a first perspective view of a bladder for a shoe sole showing our new design;

FIG. 2 is a second perspective view thereof;

FIG. 3 is a top plan view thereof;

FIG. 4 is a bottom plan view thereof;

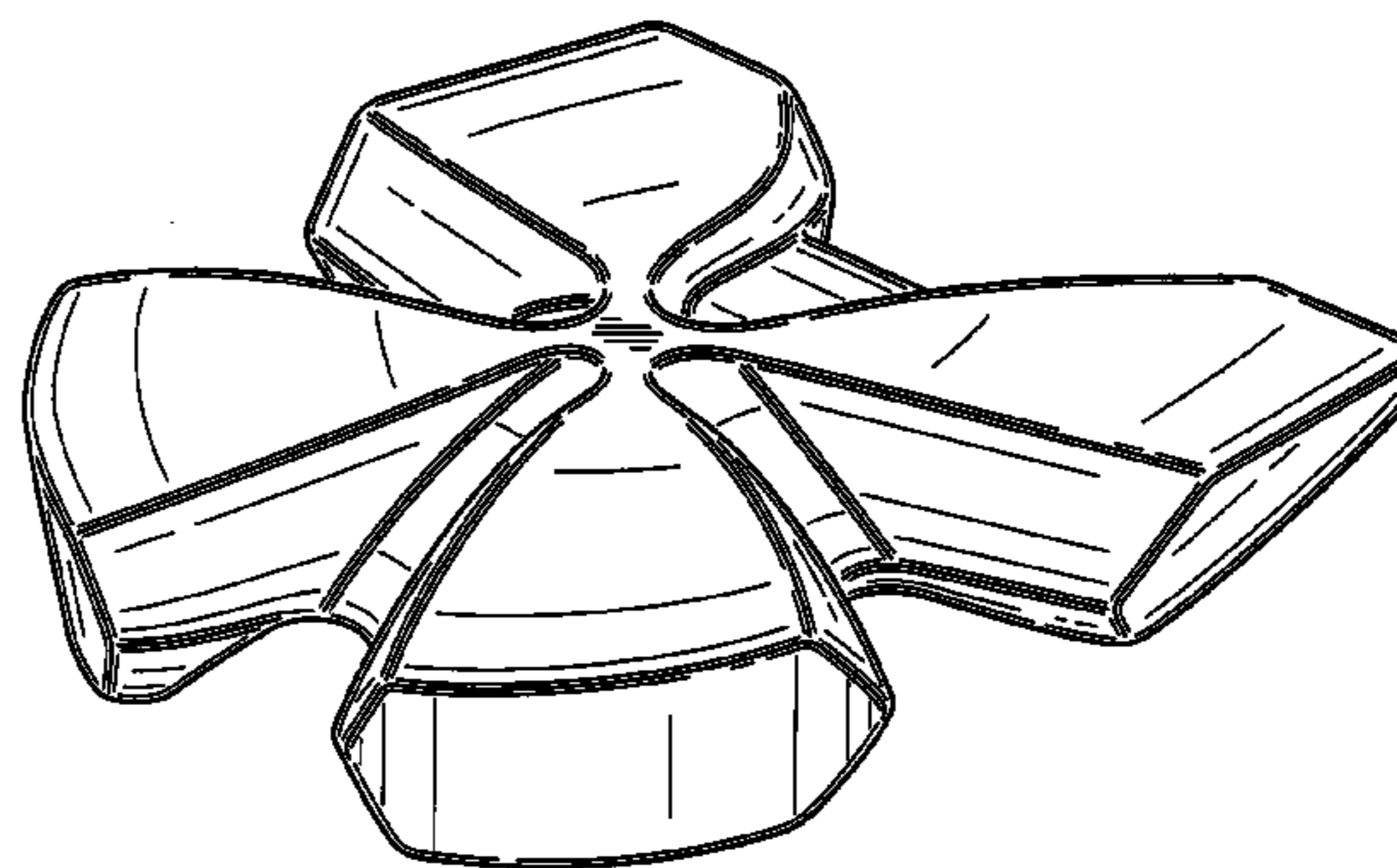
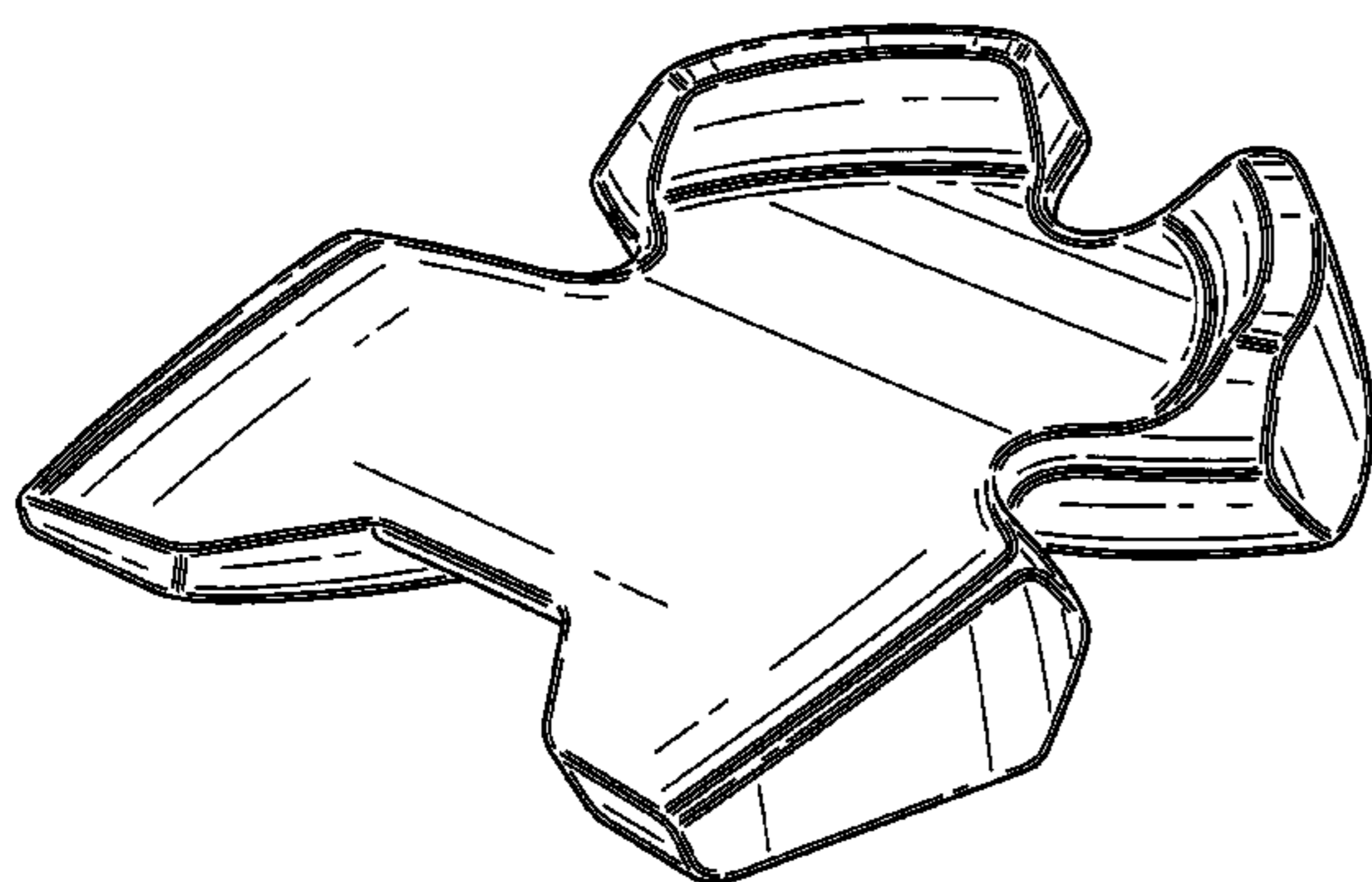
FIG. 5 is a side elevational view of the right side thereof;

FIG. 6 is a side elevational view of the left side thereof;

FIG. 7 is an elevational view of the front thereof; and,

FIG. 8 is an elevational view of the rear thereof.

**1 Claim, 4 Drawing Sheets**



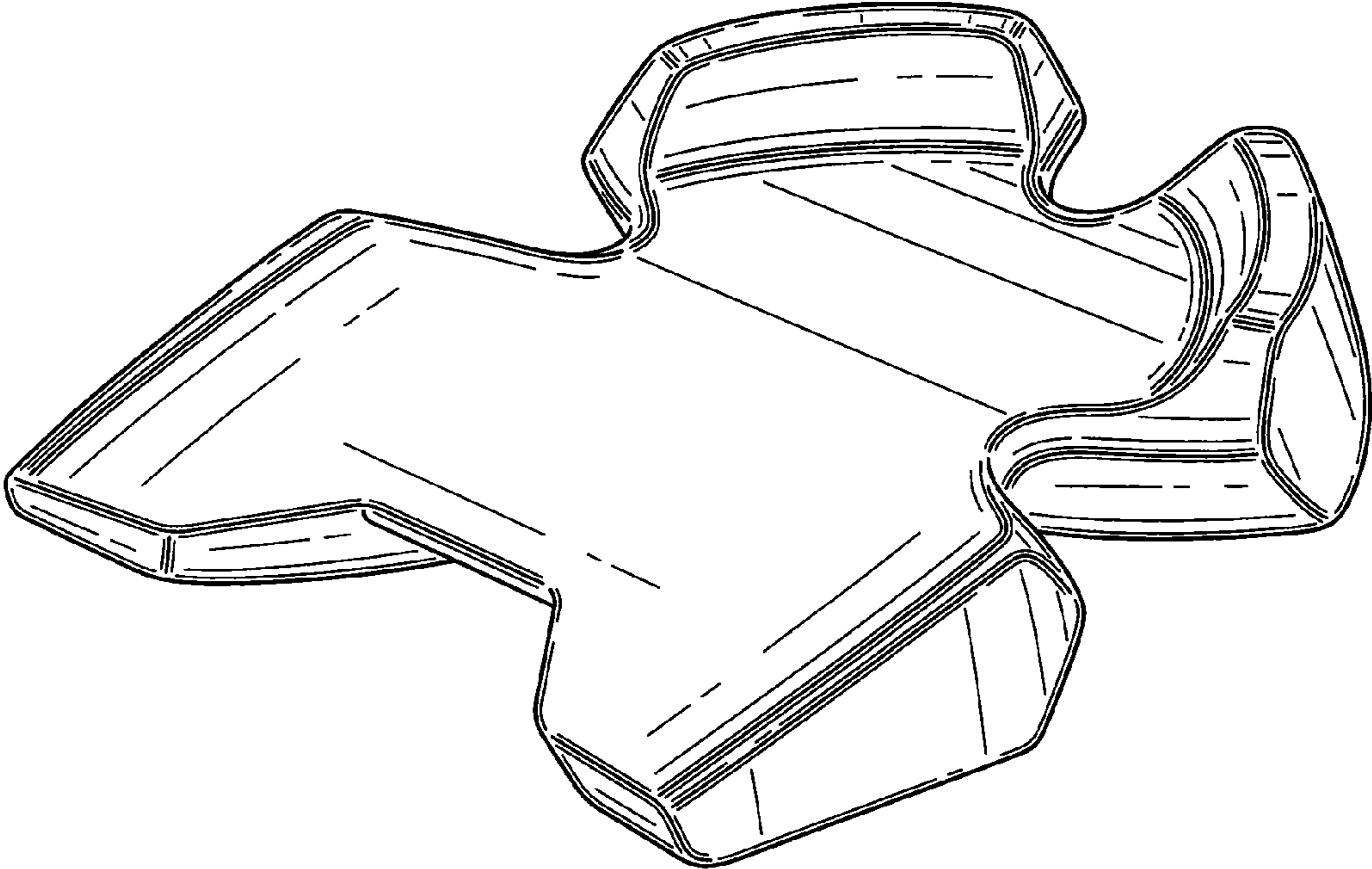


FIG. 1

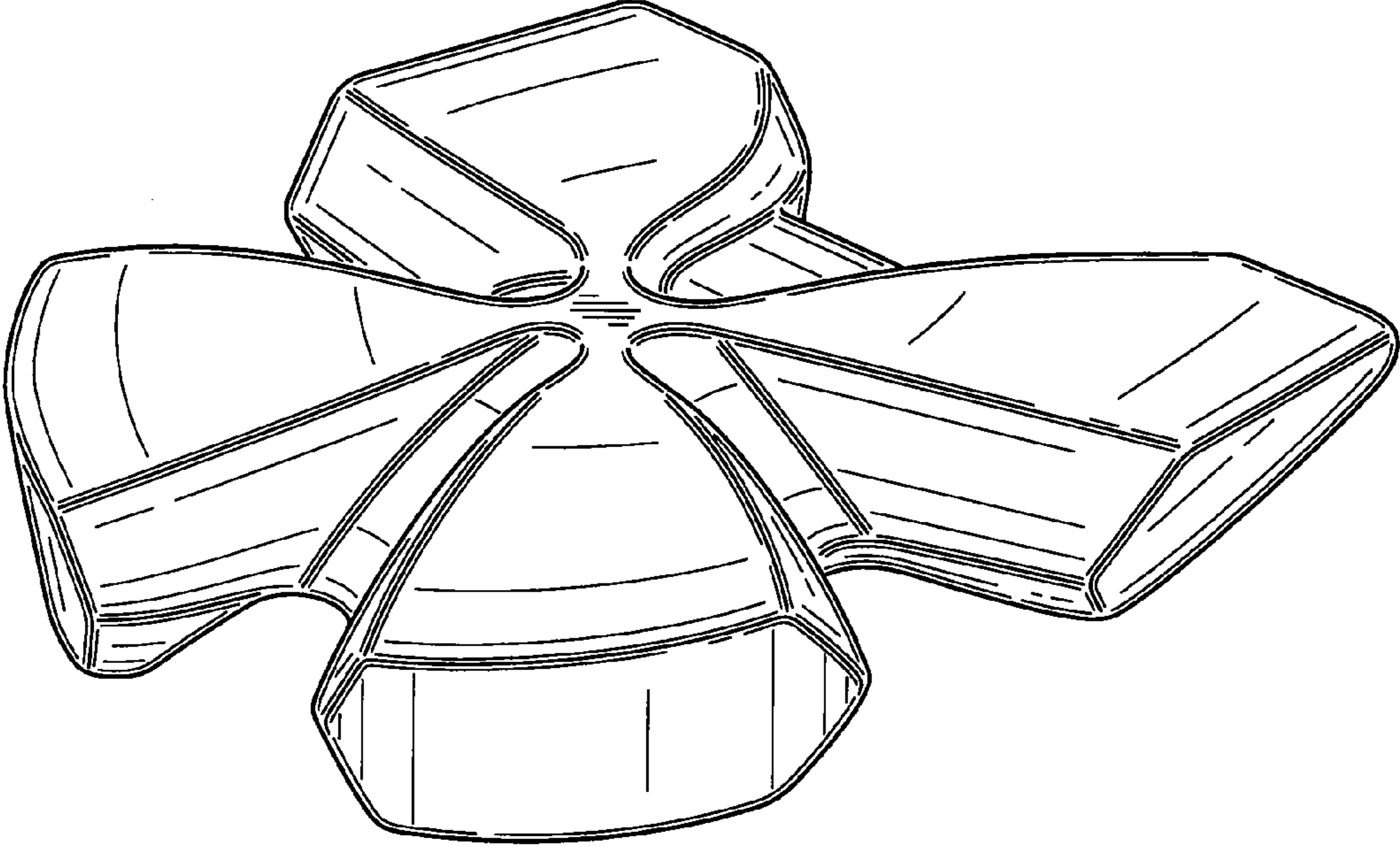


FIG. 2

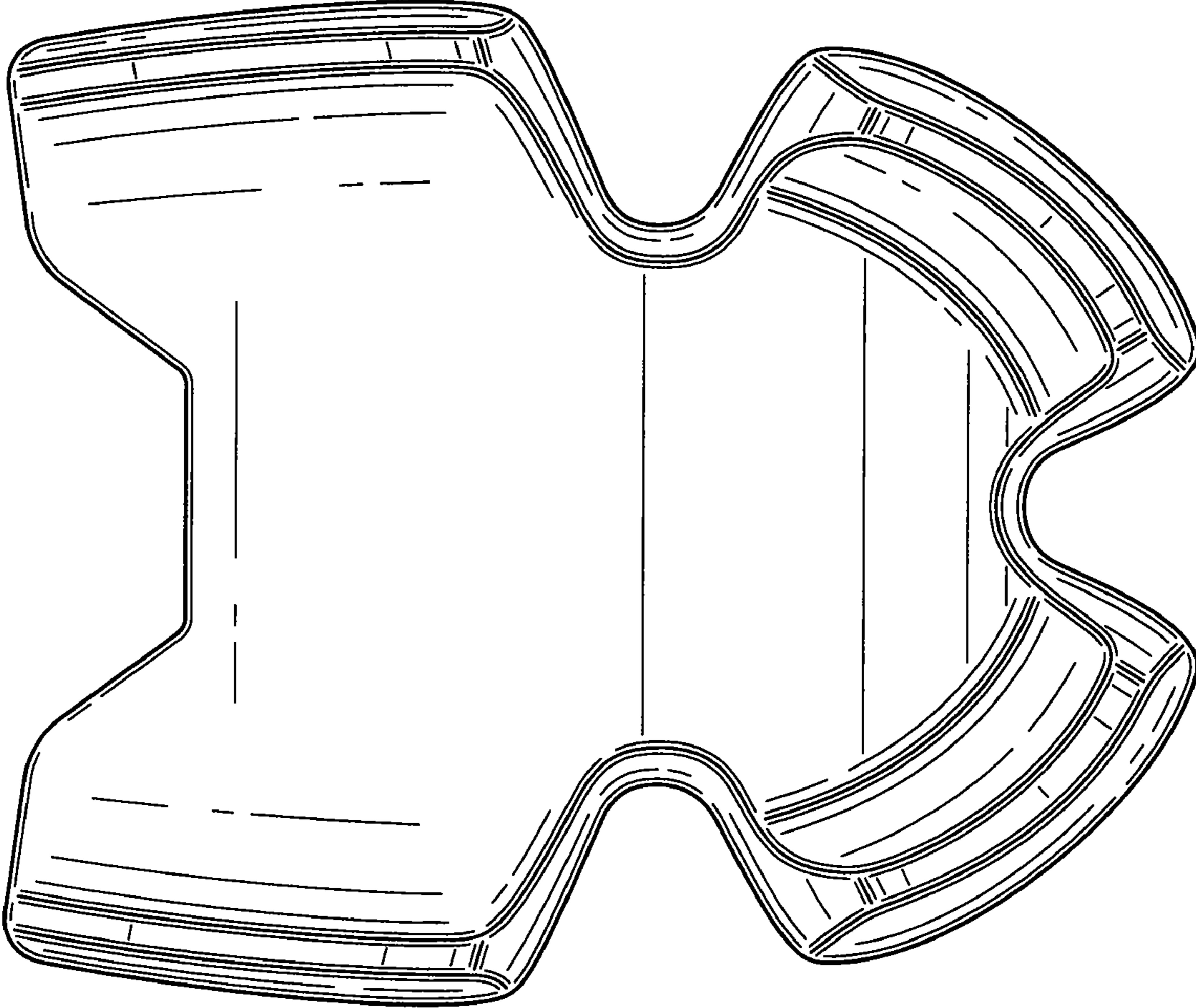


FIG. 3

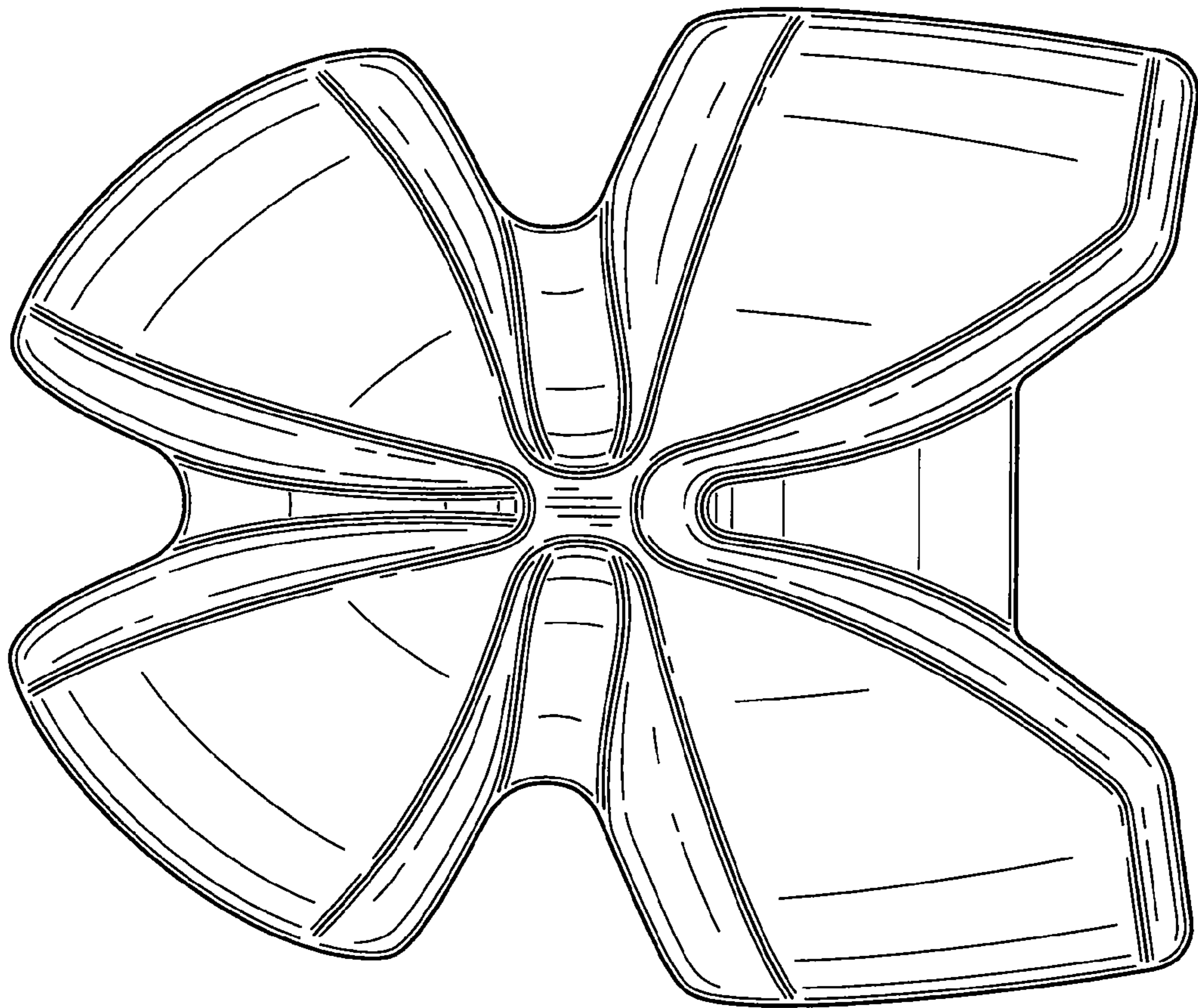


FIG. 4

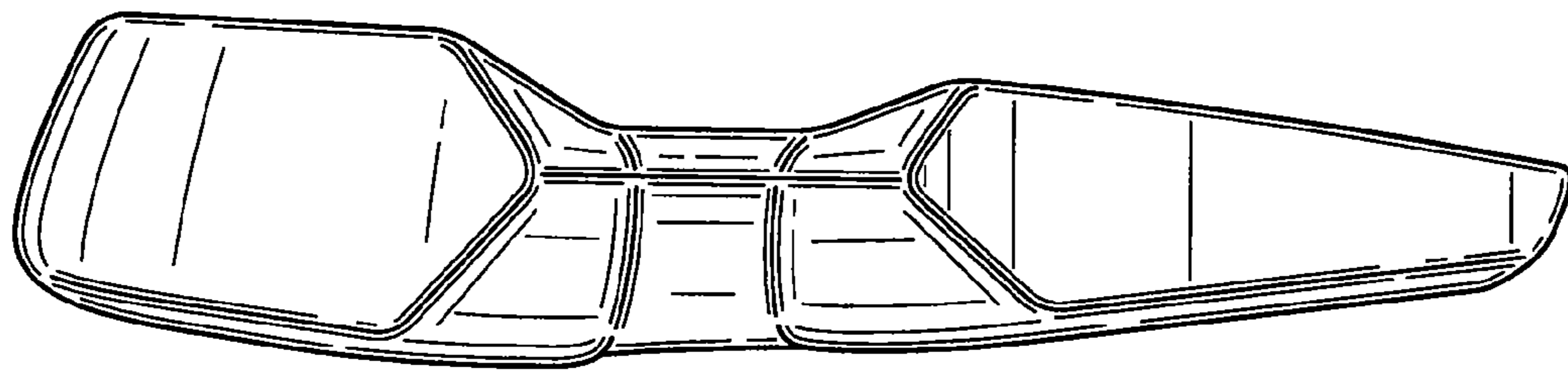


FIG. 5

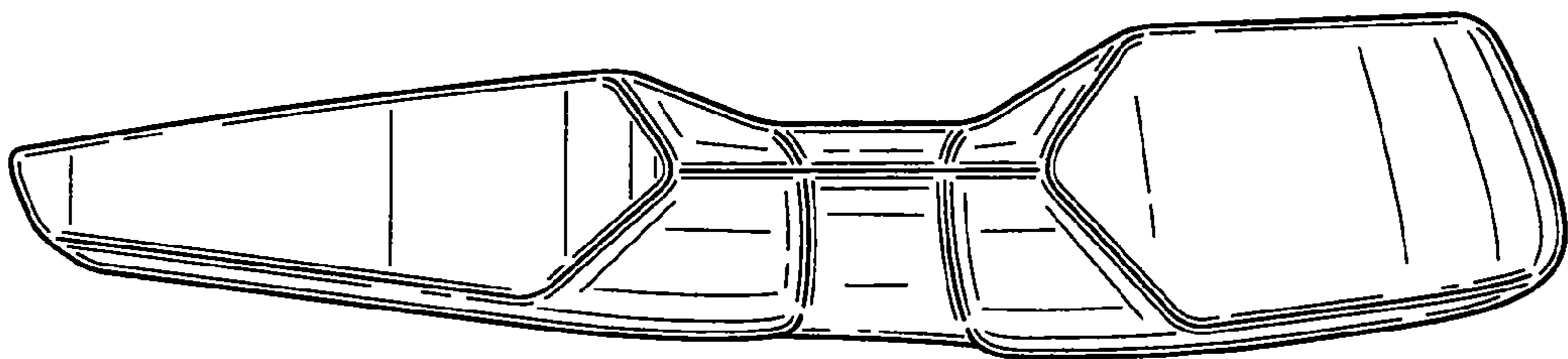


FIG. 6

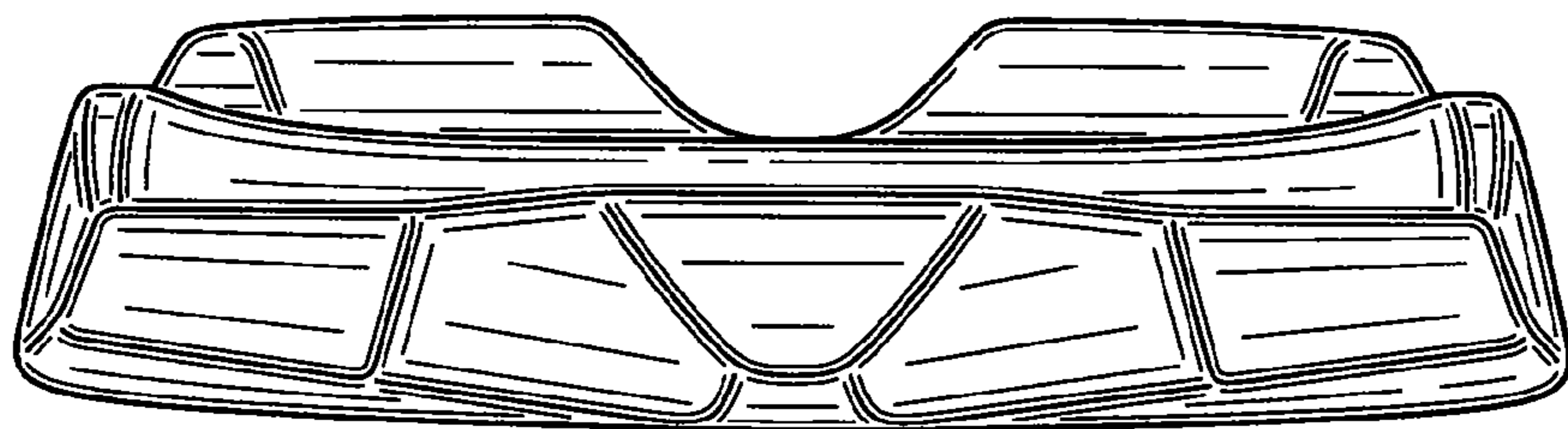


FIG. 7

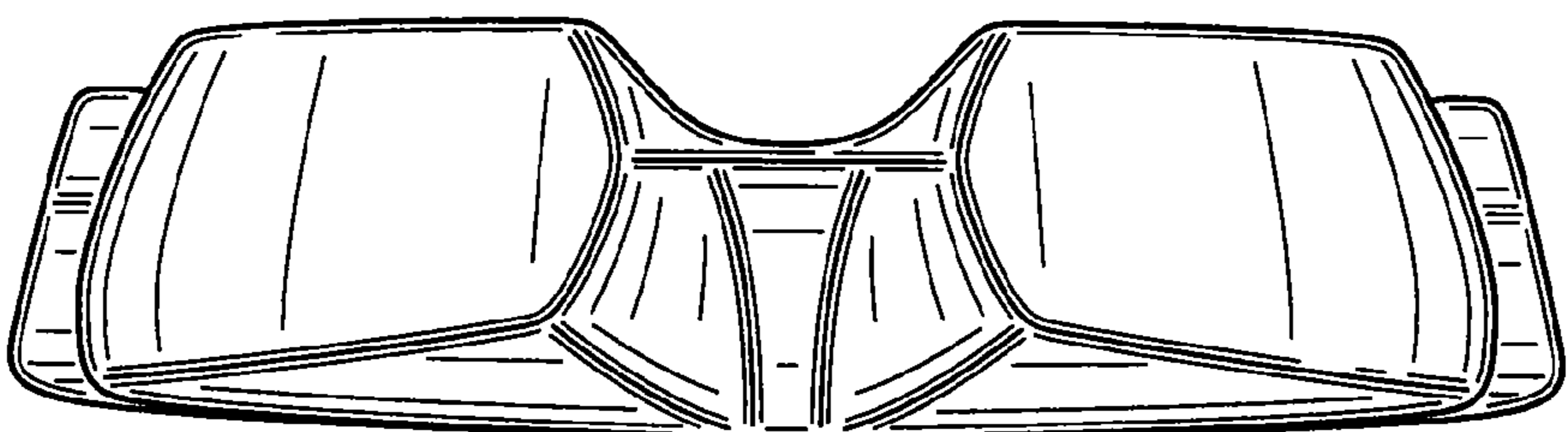


FIG. 8