



US00D547527S

(12) **United States Design Patent**
Thiaudiere et al.

(10) **Patent No.:** **US D547,527 S**
(45) **Date of Patent:** **** Jul. 31, 2007**

(54) **BATCH BREAD SLICE**

(75) Inventors: **Jean-Luc Thiaudiere**, Mozac (FR);
Xavier Piezel, Randan (FR)

(73) Assignee: **Jacquet Panification**, Bondoufle (FR)

(**) Term: **14 Years**

(21) Appl. No.: **29/255,100**

(22) Filed: **Mar. 6, 2006**

(30) **Foreign Application Priority Data**

Sep. 9, 2005 (EM) 000400577-001
Sep. 9, 2005 (EM) 000400577-002
Sep. 9, 2005 (EM) 000400577-003

(51) **LOC (8) Cl.** **01-01**

(52) **U.S. Cl.** **D1/129**

(58) **Field of Classification Search** D1/125,
D1/128-9, 199; 426/104, 275, 446, 503,
426/518, 549, 653, 658, 661, 388-9, 391
See application file for complete search history.

(56) **References Cited**

U.S. PATENT DOCUMENTS

D100,257 S * 7/1936 Brooks D1/121

(Continued)

OTHER PUBLICATIONS

Practical Baking: Fifth Edition, by William J. Sultan, Ban Nostrand
Reinhold, NY, © 1990, p. 562.*

Better Homes and Gardens, Apr. 1956, p. 157.*

Restaurants and Institutions, Jun. 22, 1987, p. 267.*

Primary Examiner—Robin Webster

Assistant Examiner—Karen E. Patterson

(74) *Attorney, Agent, or Firm*—Stites & Harbison PLLC;
Douglas E. Jackson

(57) **CLAIM**

The ornamental design for a batch bread slice, as shown and described.

DESCRIPTION

FIG. 1 is front view of a batch bread slice according to a first embodiment of the present invention, the rear view being a mirror image thereof.

FIG. 2 is a top view of the batch bread slice depicted in FIG. 1.

FIG. 3 is a bottom view of the batch bread slice depicted in FIG. 1.

FIG. 4 is a right side view of the batch bread slice depicted in FIG. 1, the left side view being a mirror image thereof.

FIG. 5 is a perspective front, bottom and right side view of the batch bread slice depicted in FIG. 1.

FIG. 6 is front view of a batch bread slice according to a second embodiment of the present invention, the rear view being a mirror image thereof.

FIG. 7 is a top view of the batch bread slice depicted in FIG. 6.

FIG. 8 is a bottom view of the batch bread slice depicted in FIG. 6.

FIG. 9 is a right side view of the batch bread slice depicted in FIG. 6, the left side view being a mirror image thereof.

FIG. 10 is a perspective front, bottom and right side view of the batch bread slice depicted in FIG. 6.

FIG. 11 is front view of a batch bread slice according to a third embodiment of the present invention, the rear view being a mirror image thereof.

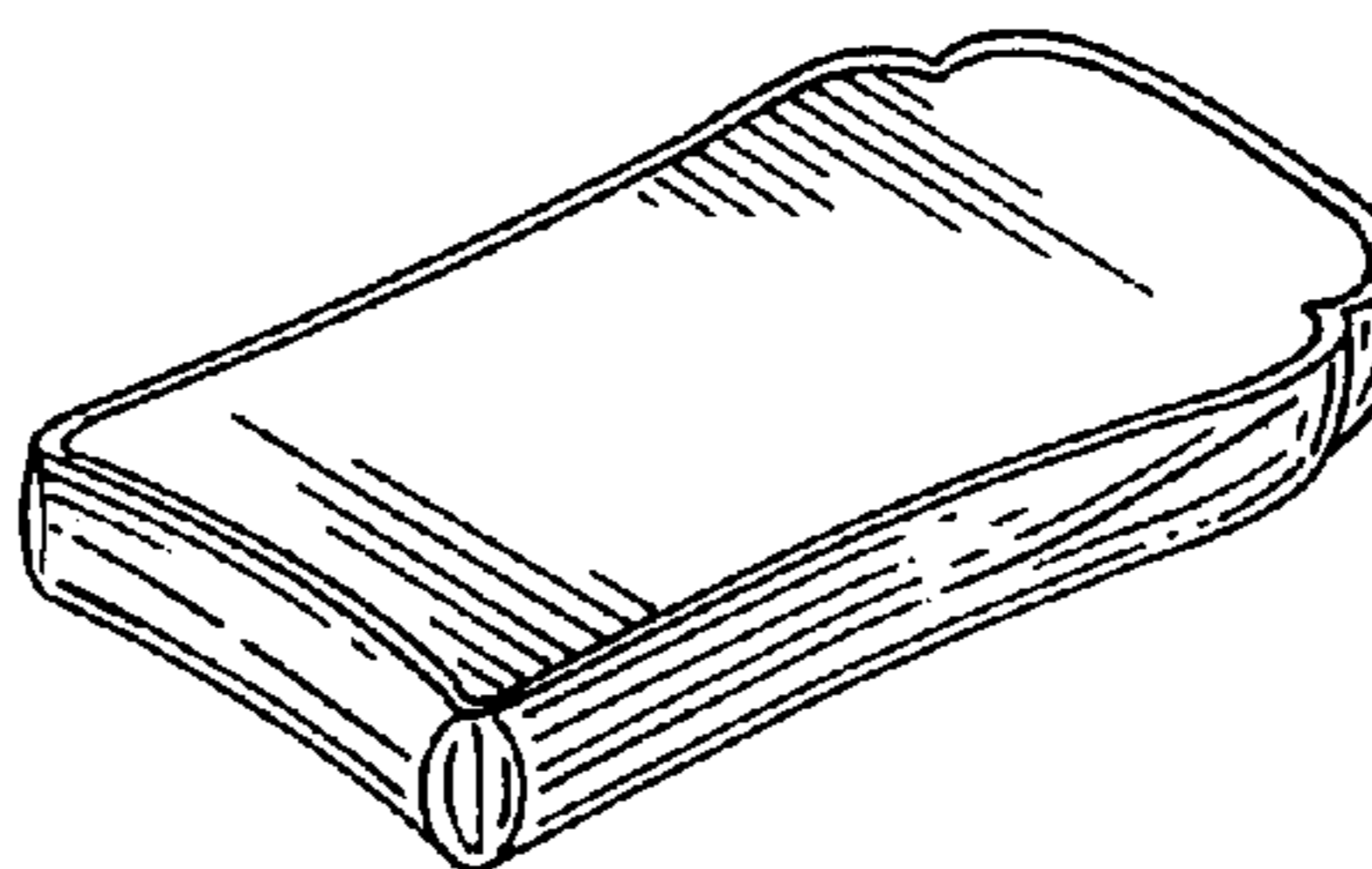
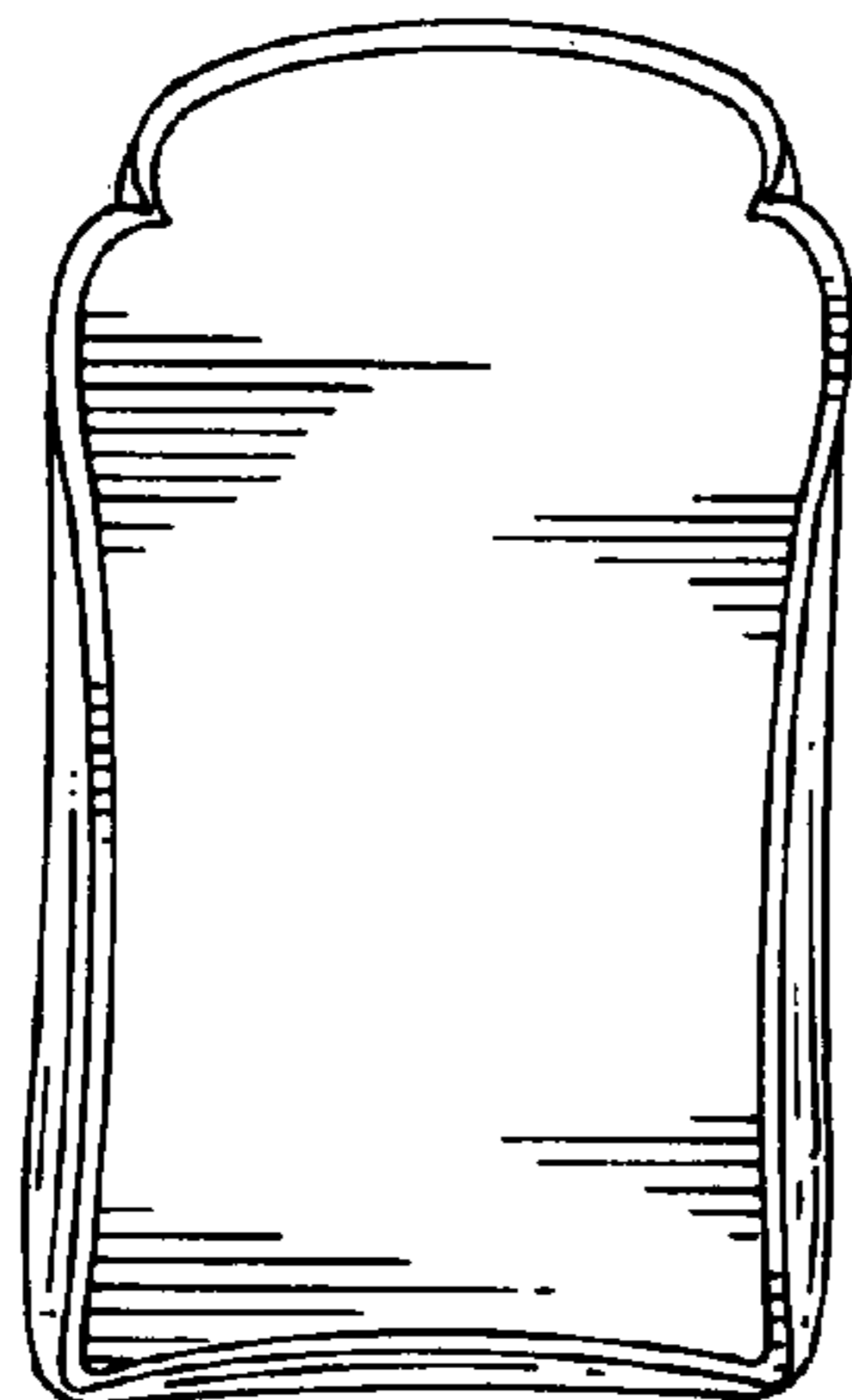
FIG. 12 is a top view of the batch bread slice depicted in FIG. 11.

FIG. 13 is a bottom view of the batch bread slice depicted in FIG. 11.

FIG. 14 is a right side view of the batch bread slice depicted in FIG. 11, the left side view being a mirror image thereof; and,

FIG. 15 is a perspective front, bottom and right side view of the batch bread slice depicted in FIG. 11.

1 Claim, 3 Drawing Sheets



US D547,527 S

Page 2

U.S. PATENT DOCUMENTS

2,483,669	A *	10/1949	Reid	426/383	6,013,300	A *	1/2000	Reichkitzer et al.	426/552
2,734,449	A *	2/1956	Erickson	426/275	6,126,982	A *	10/2000	Maldonado	426/549
4,198,438	A *	4/1980	Singer et al.	426/549	D445,992	S *	8/2001	Reinhart et al.	D1/128
5,716,653	A *	2/1998	Simard et al.	426/653	6,967,035	B2 *	11/2005	Bojsen et al.	426/549
D395,535	S *	6/1998	Reichkitzer et al.	D1/129	2003/0175386	A1 *	9/2003	Hayes-Jacobson	426/94
D403,485	S *	1/1999	Clanton et al.	D1/129	2004/0033300	A1 *	2/2004	Takahashi et al.	426/549

* cited by examiner

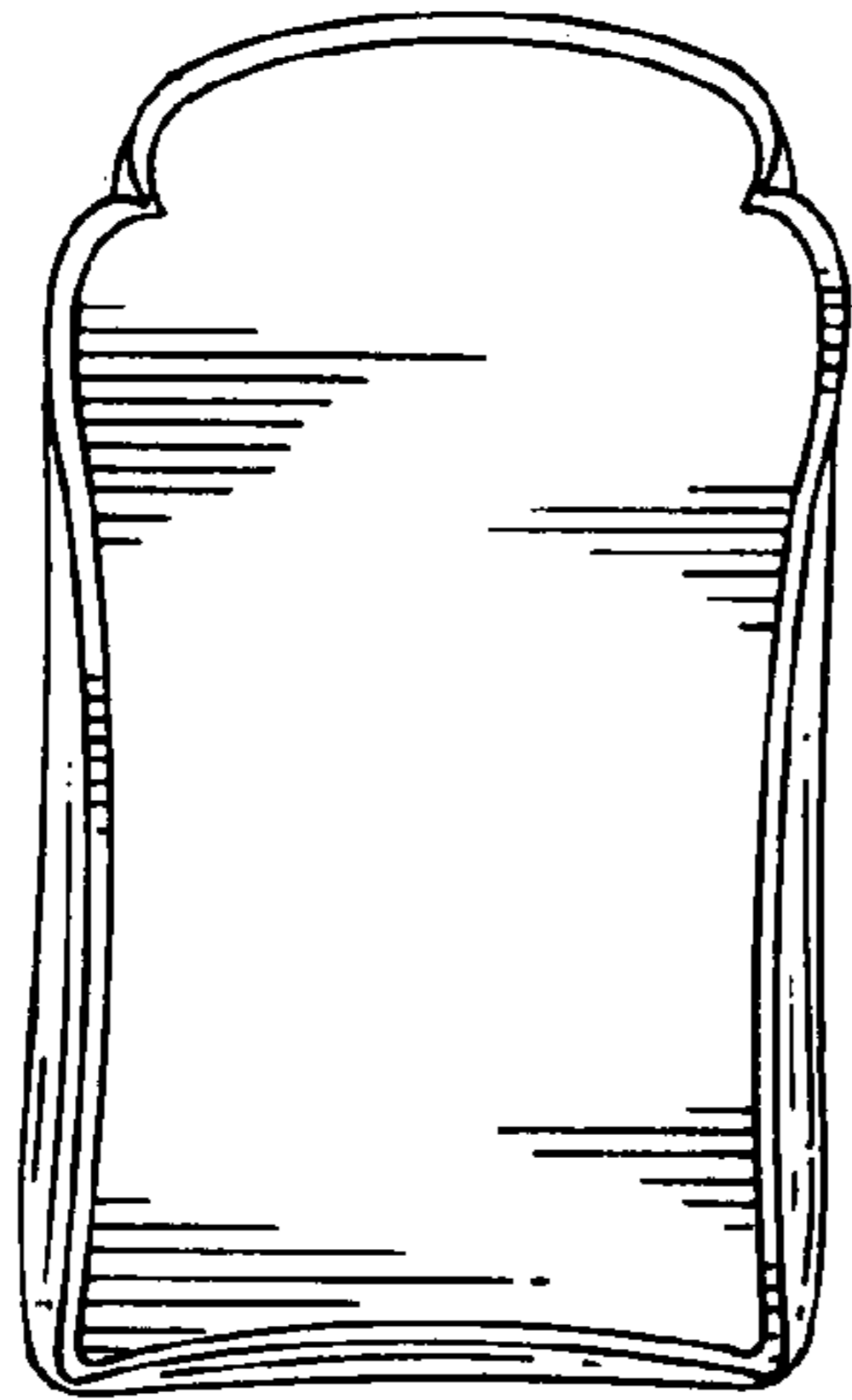


FIG. 1

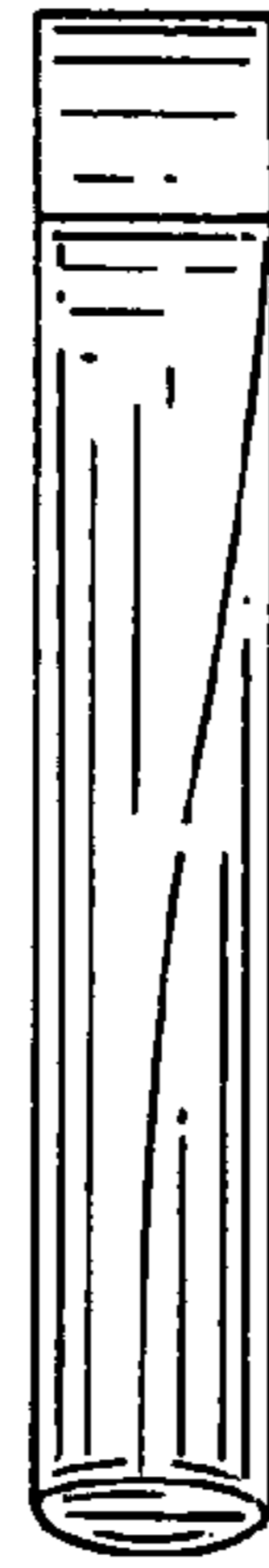


FIG. 4

FIG. 2

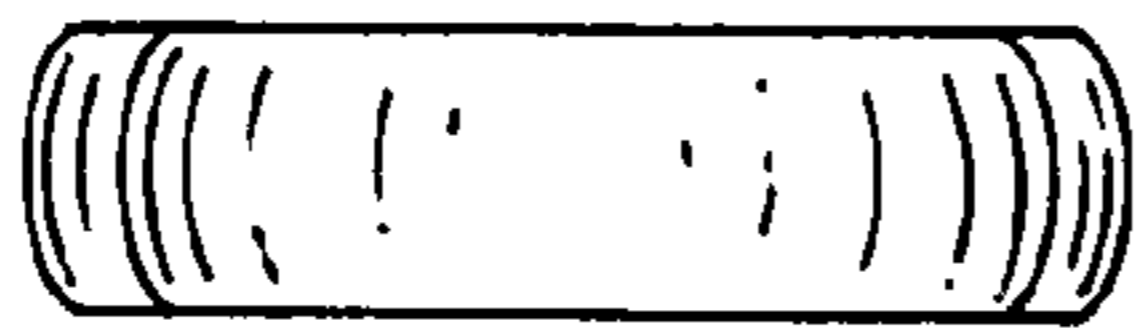


FIG. 3

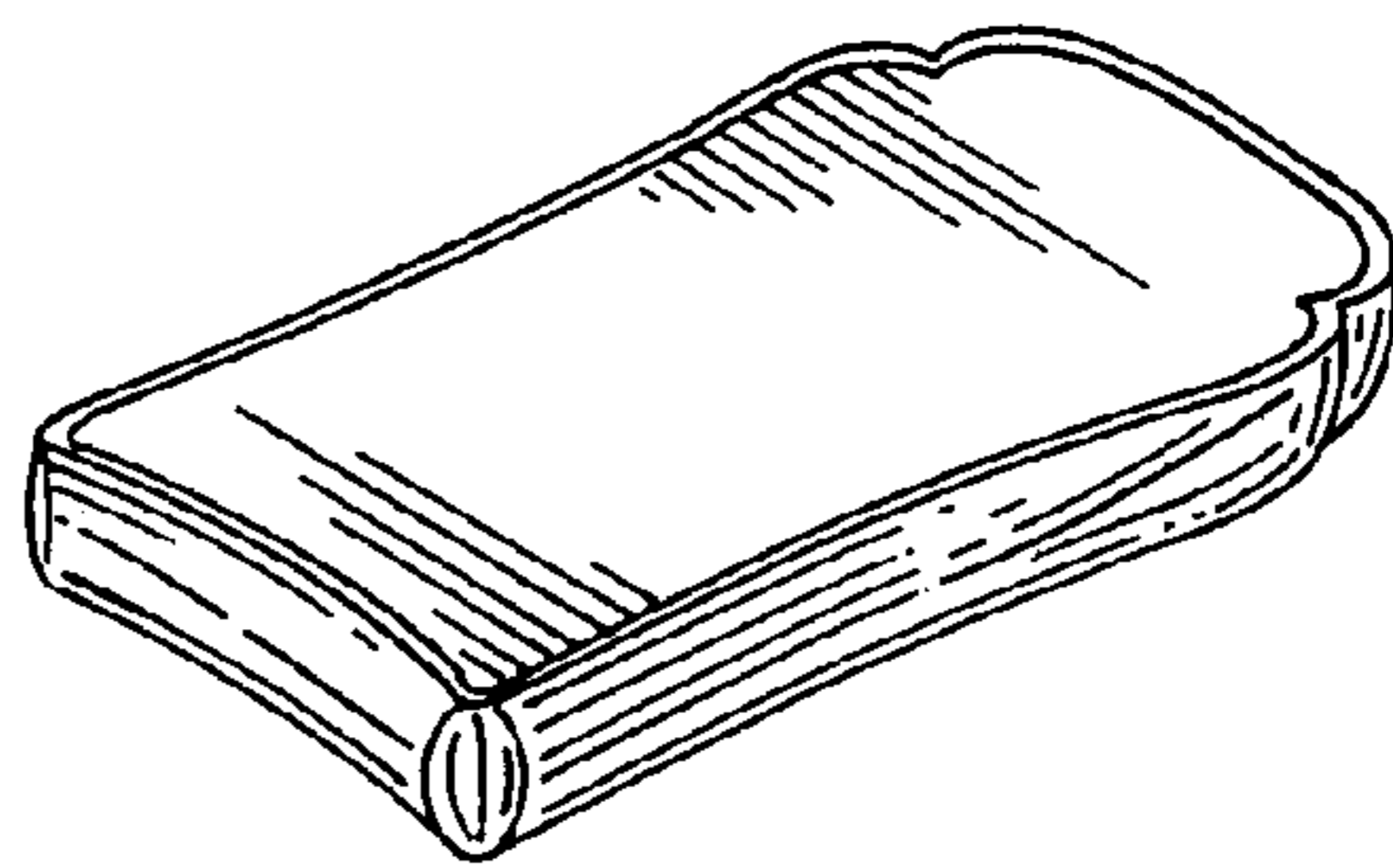
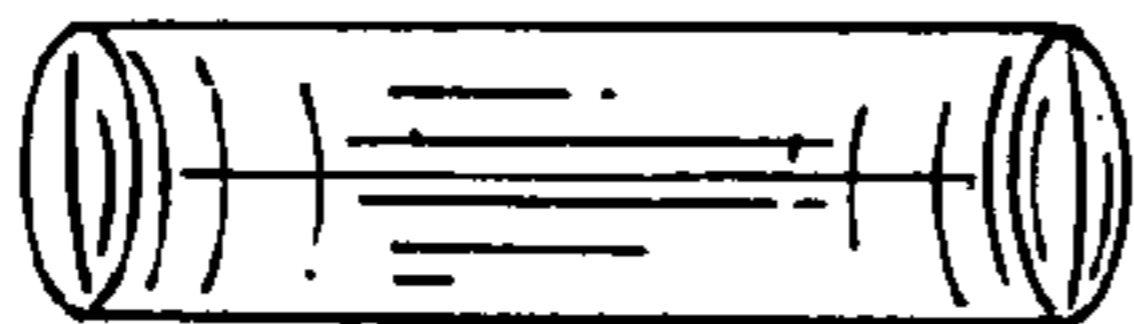


FIG. 5

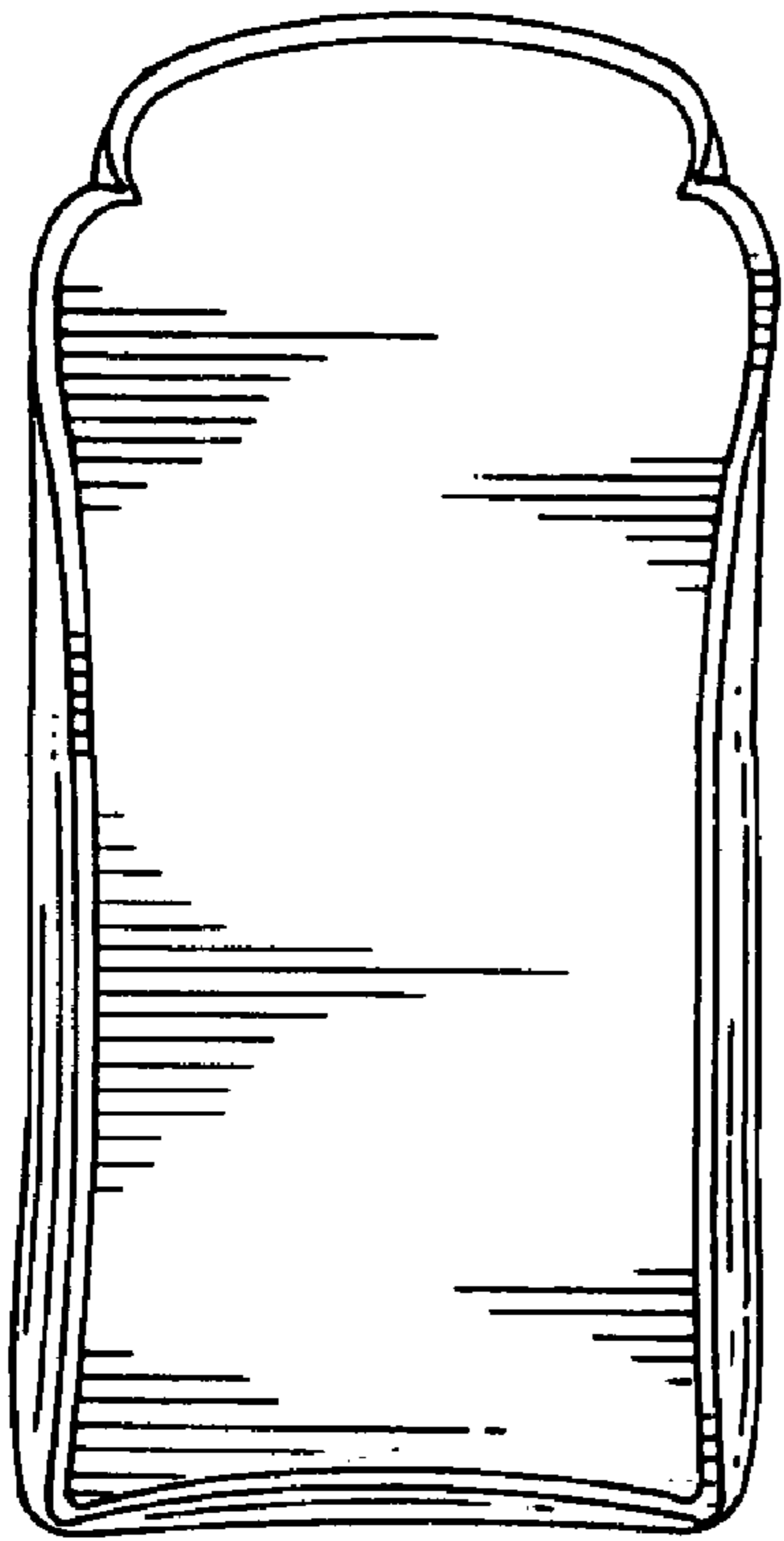


FIG. 6

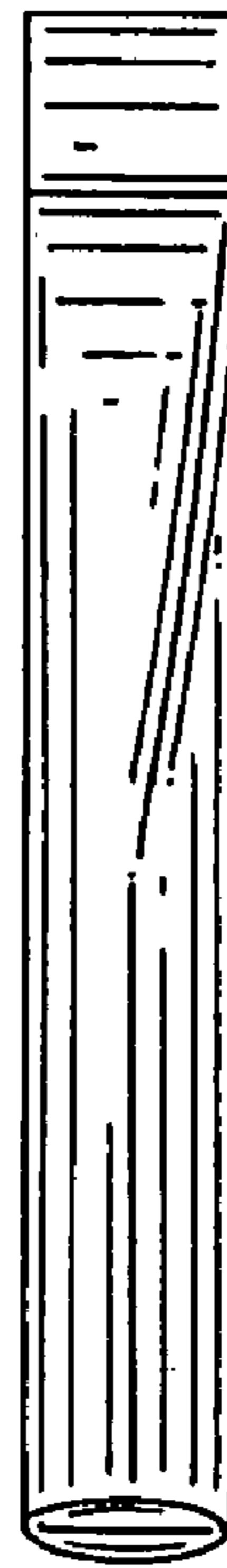


FIG. 9

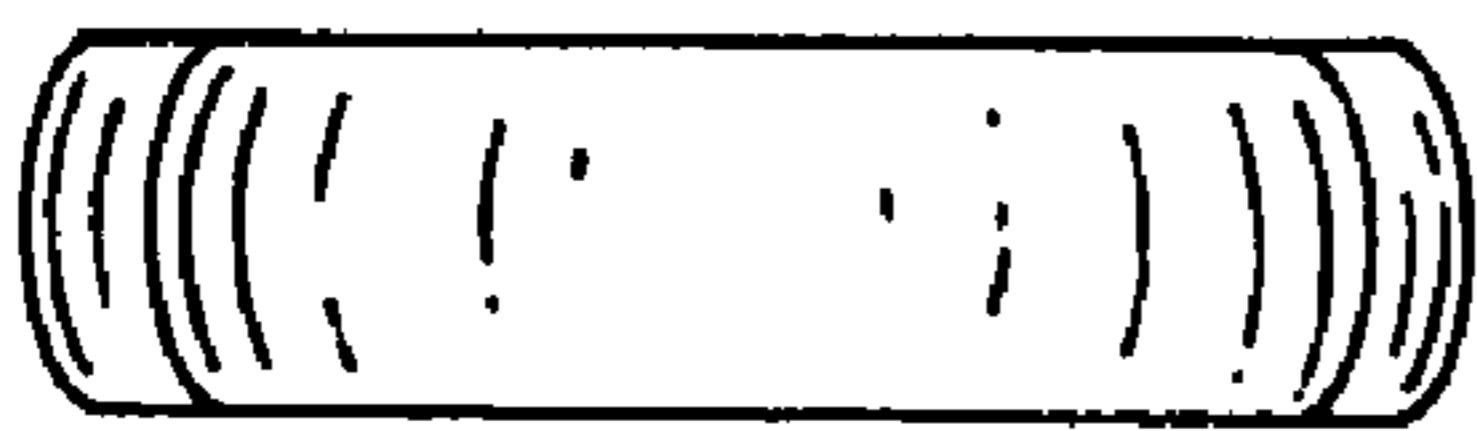


FIG. 7

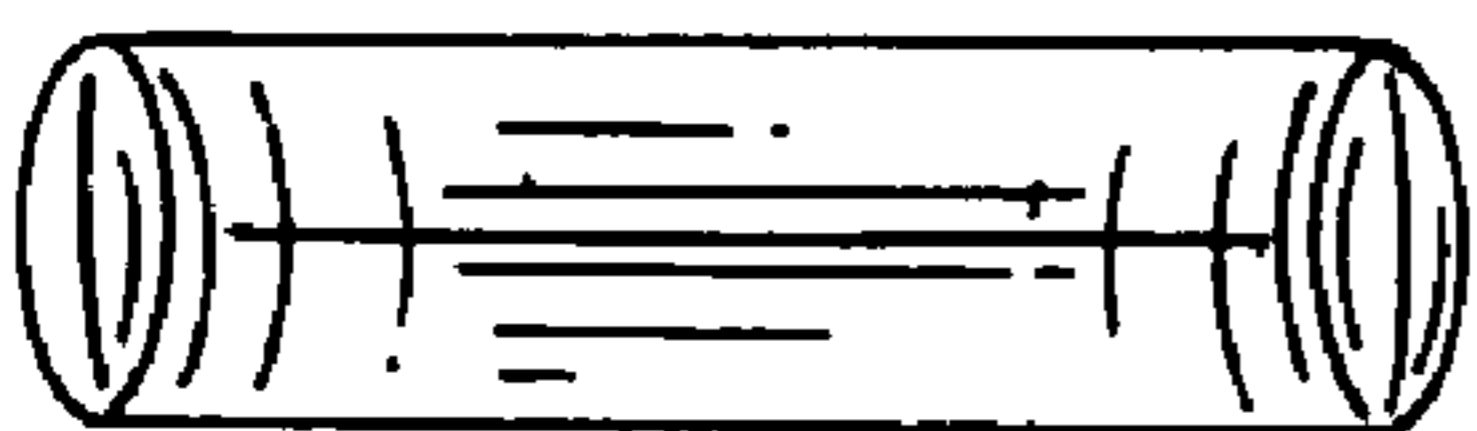


FIG. 8

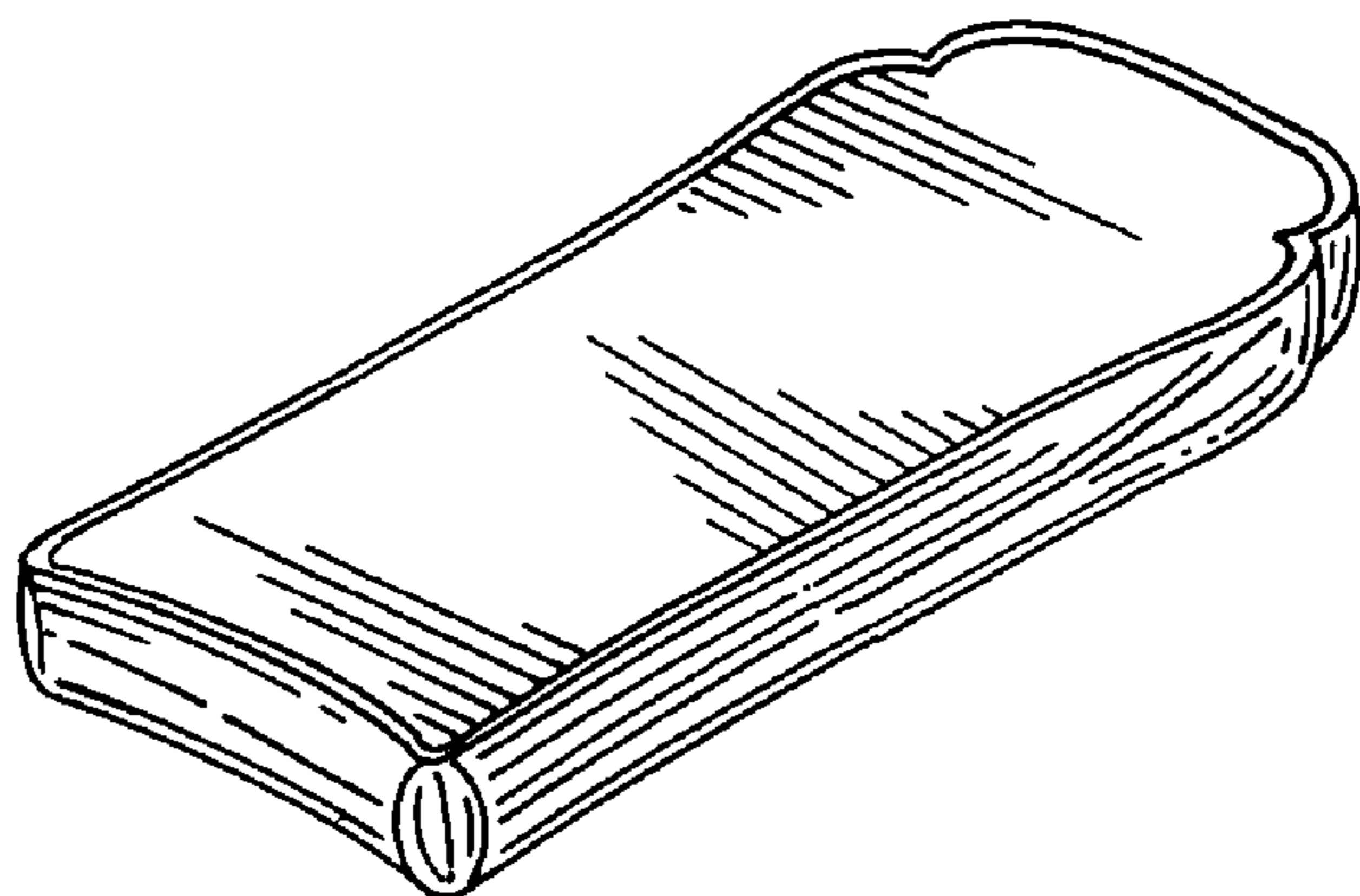


FIG. 10

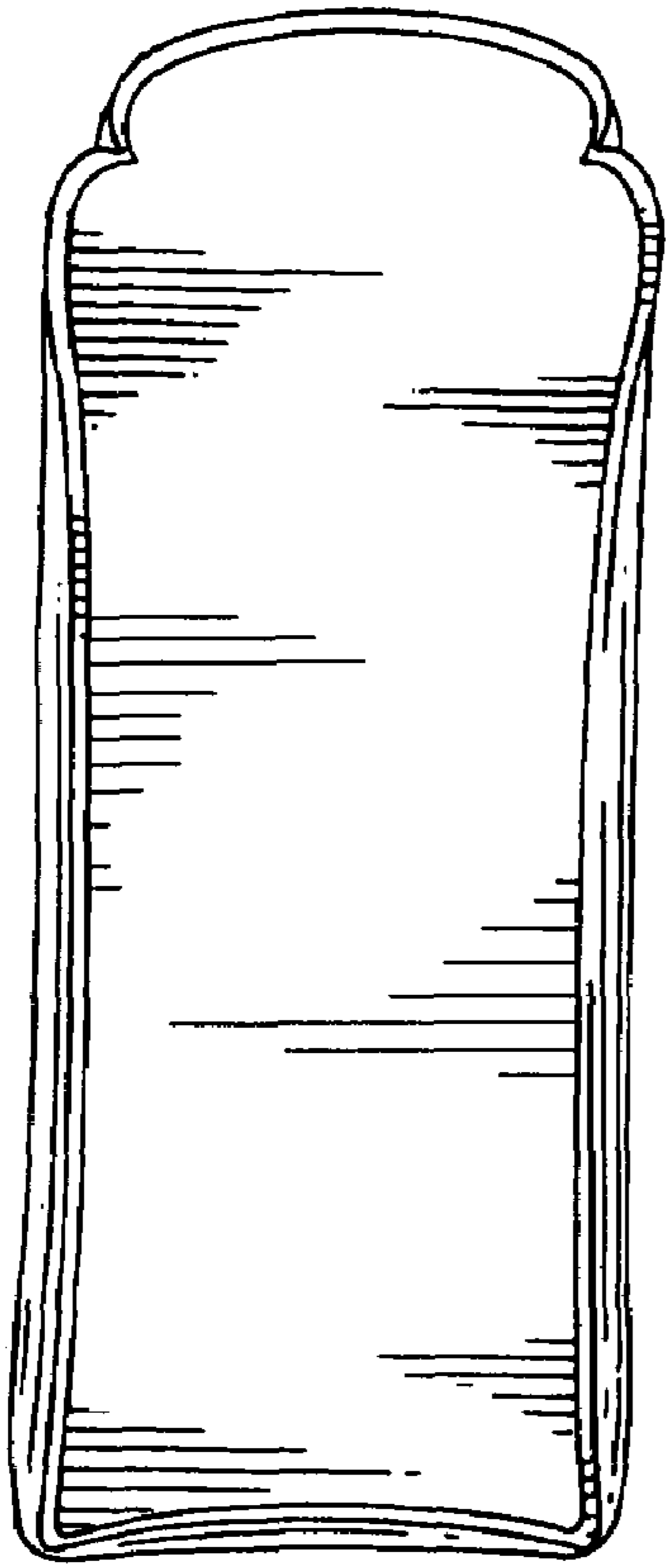


FIG. 11

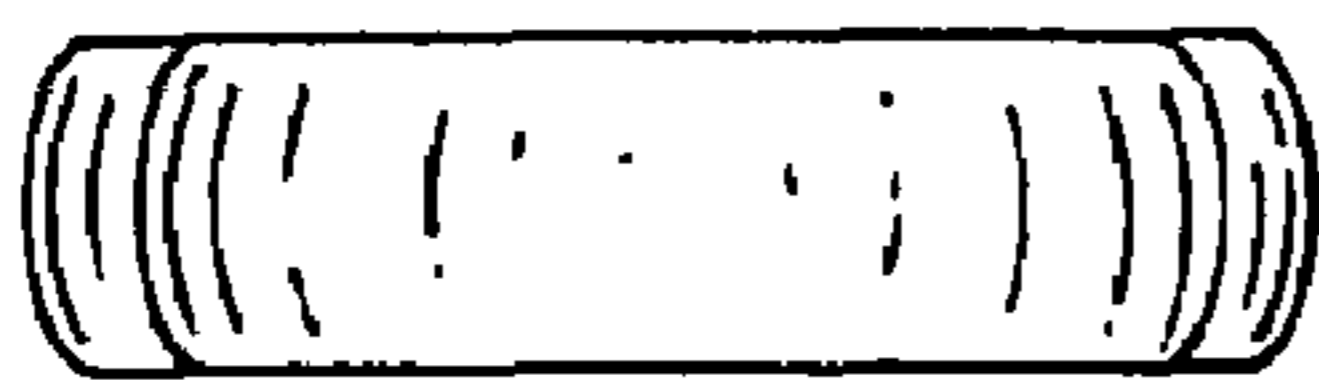


FIG. 12

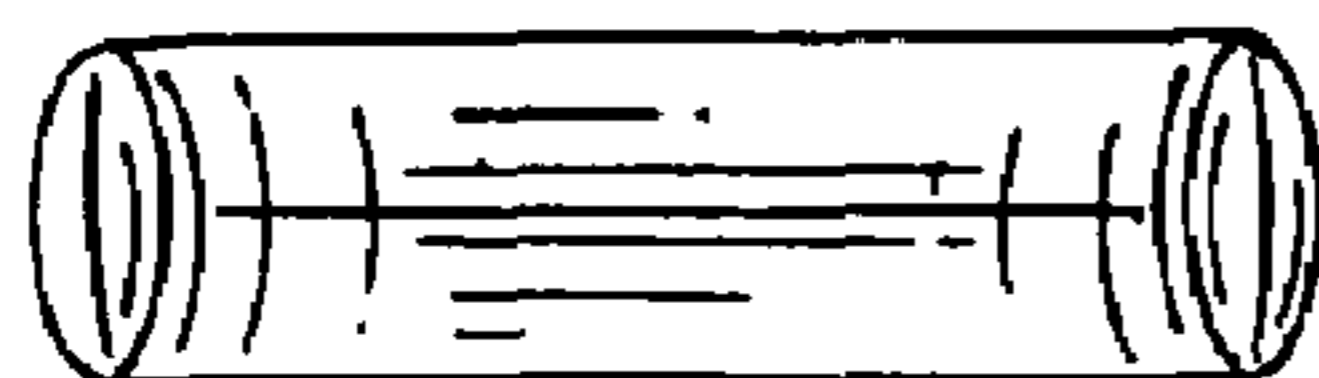


FIG. 13



FIG. 14

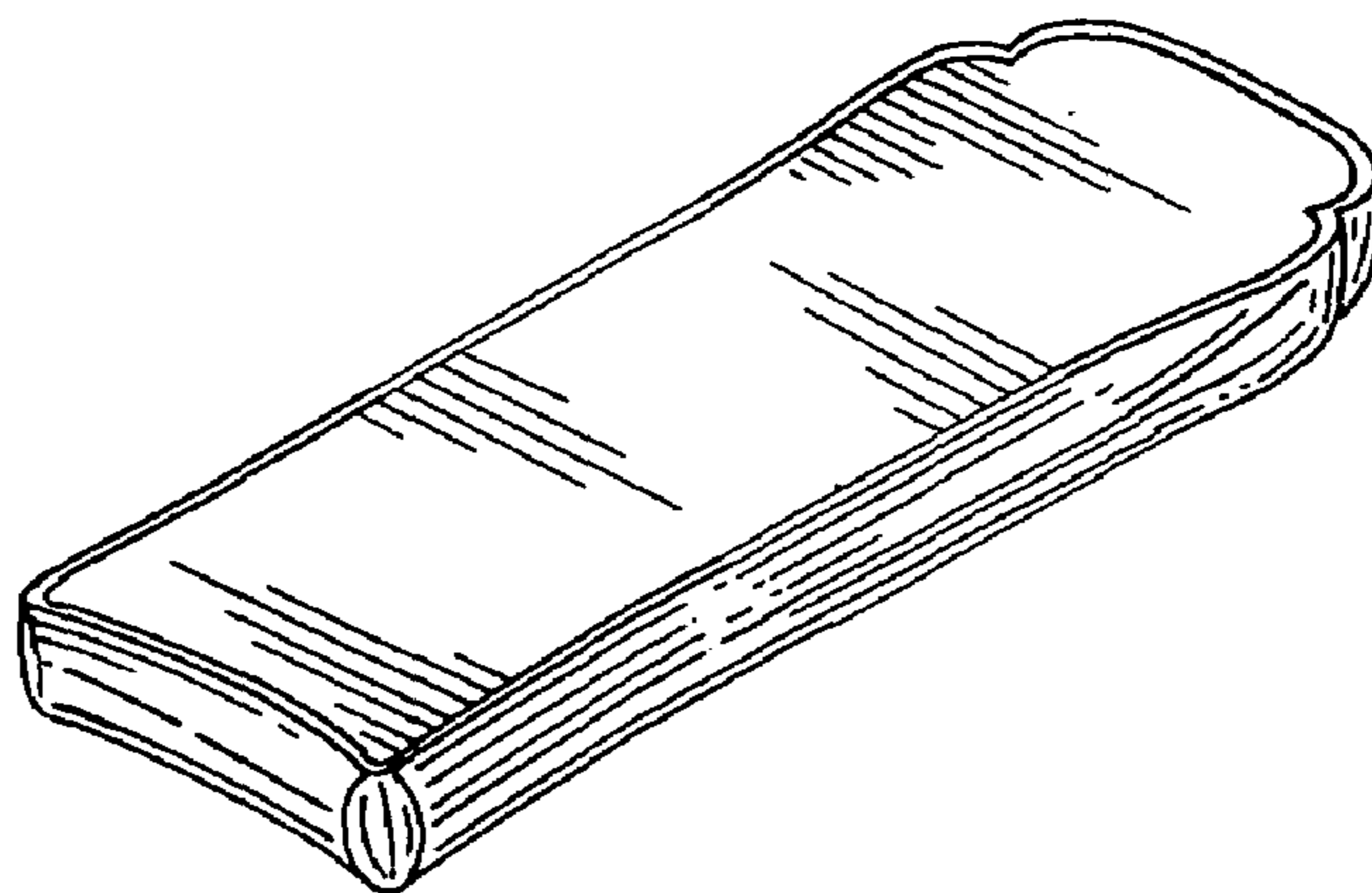


FIG. 15