



US00D547519S

(12) **United States Design Patent**  
**Reckelhoff**

(10) **Patent No.:** **US D547,519 S**

(45) **Date of Patent:** **\*\* Jul. 24, 2007**

(54) **BASE FOR A COMPUTER CART**

*Primary Examiner*—Cynthia E. Ramirez

(75) Inventor: **Ray Reckelhoff**, Elgin, SC (US)

(74) *Attorney, Agent, or Firm*—Sara A. Centioni; Nexsen Pruet, LLC

(73) Assignee: **Rioux Vision, Inc.**, Elgin, SC (US)

(57) **CLAIM**

(\*\*) Term: **14 Years**

I claim the ornamental design for a base for a computer cart, as shown and described.

(21) Appl. No.: **29/262,906**

(22) Filed: **Jul. 13, 2006**

**DESCRIPTION**

(51) **LOC (8) Cl.** ..... **12-02**

(52) **U.S. Cl.** ..... **D34/27; D34/23**

(58) **Field of Classification Search** ..... D34/12-27;  
280/47.34, 79.3, 47.35, 47.26; 248/129,  
248/174; 211/135, 153, 194; D6/426, 422;  
108/50.01, 59

See application file for complete search history.

FIG. 1 is a perspective view of a base for a computer cart showing my new design;

FIG. 2 is a left side view thereof;

FIG. 3 is a right side view thereof;

FIG. 4 is a top view of thereof;

FIG. 5 is a bottom view of thereof;

FIG. 6 is a front view thereof; and,

FIG. 7 is a rear view thereof.

(56) **References Cited**

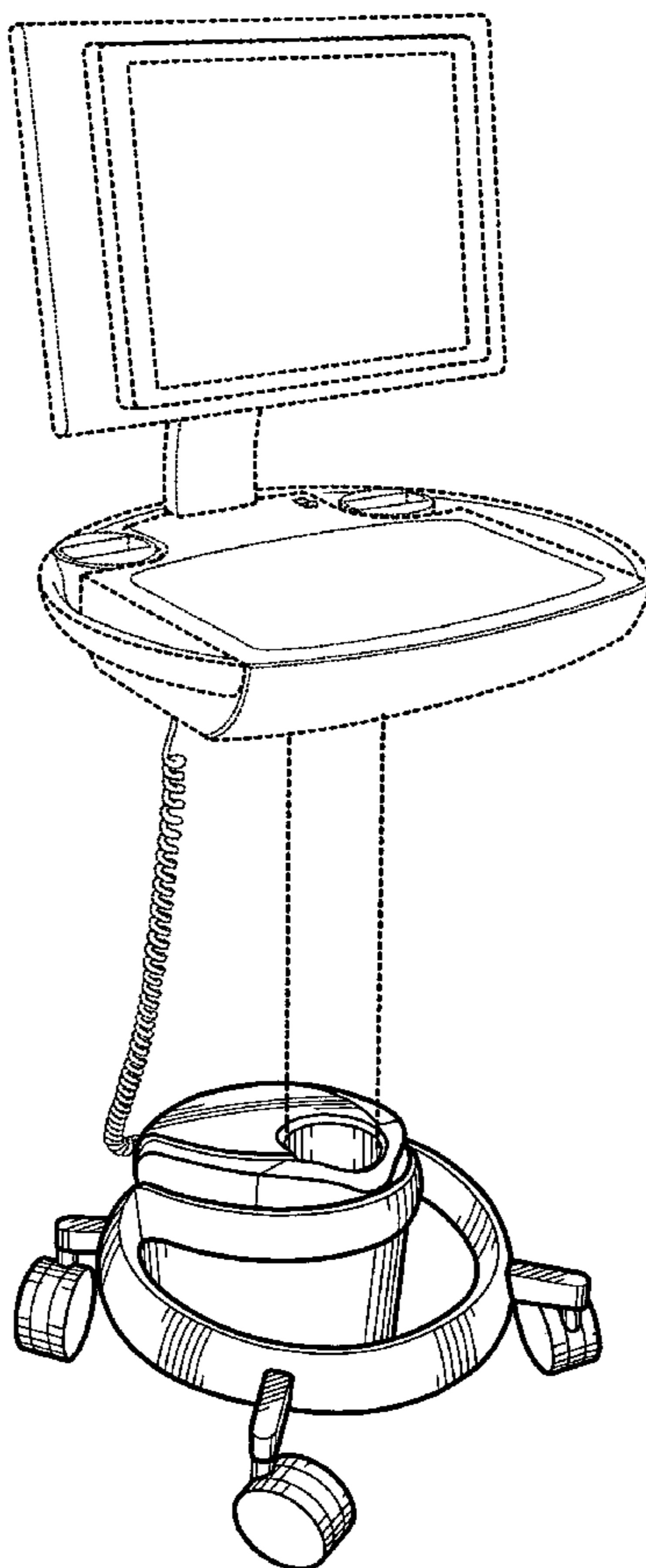
**U.S. PATENT DOCUMENTS**

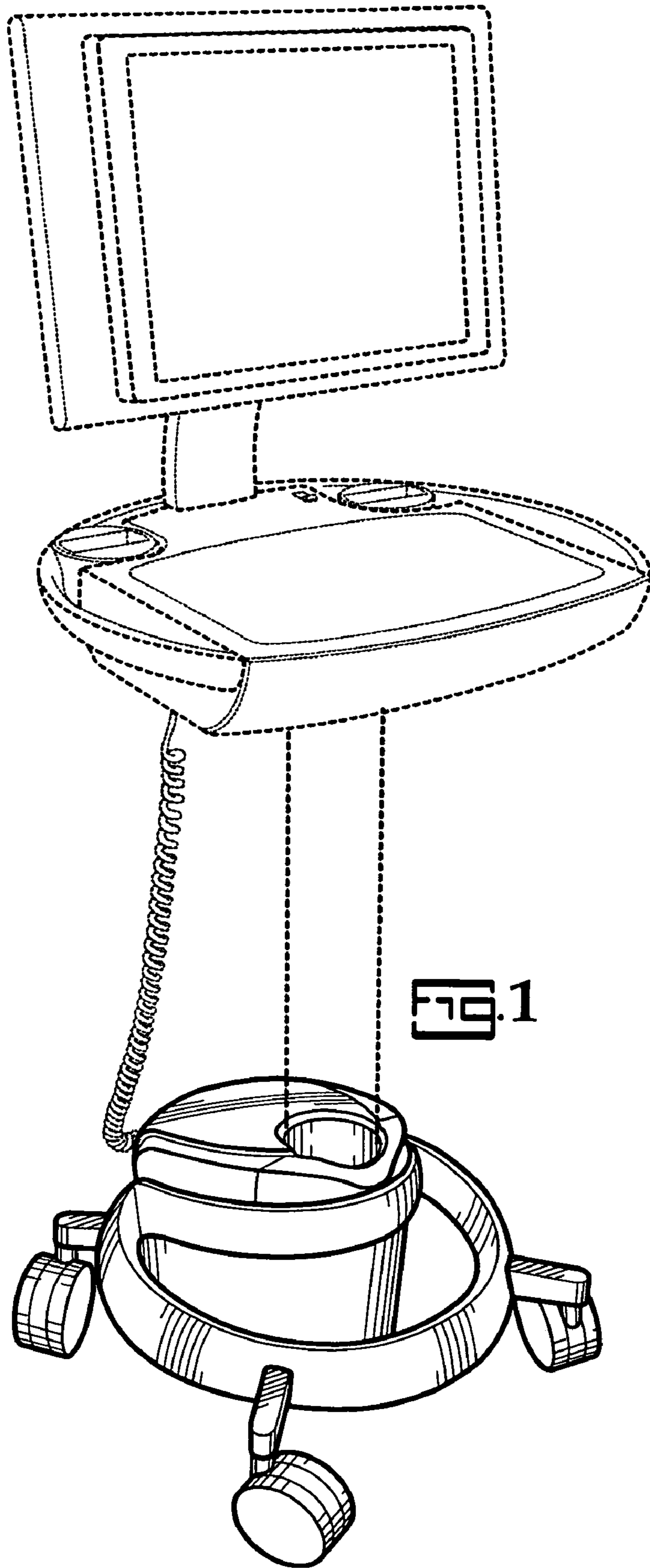
6,484,747 B2 *	11/2002	Bridgers	.....	137/355.17
D493,977 S *	8/2004	Rossini et al.	.....	D6/426
D532,953 S *	11/2006	Lauer et al.	.....	D34/23
D536,151 S *	1/2007	Rossini et al.	.....	D34/12

The broken line showing in the figures is included for the purpose of illustrating environment and forms no part of the claimed design.

\* cited by examiner

**1 Claim, 4 Drawing Sheets**





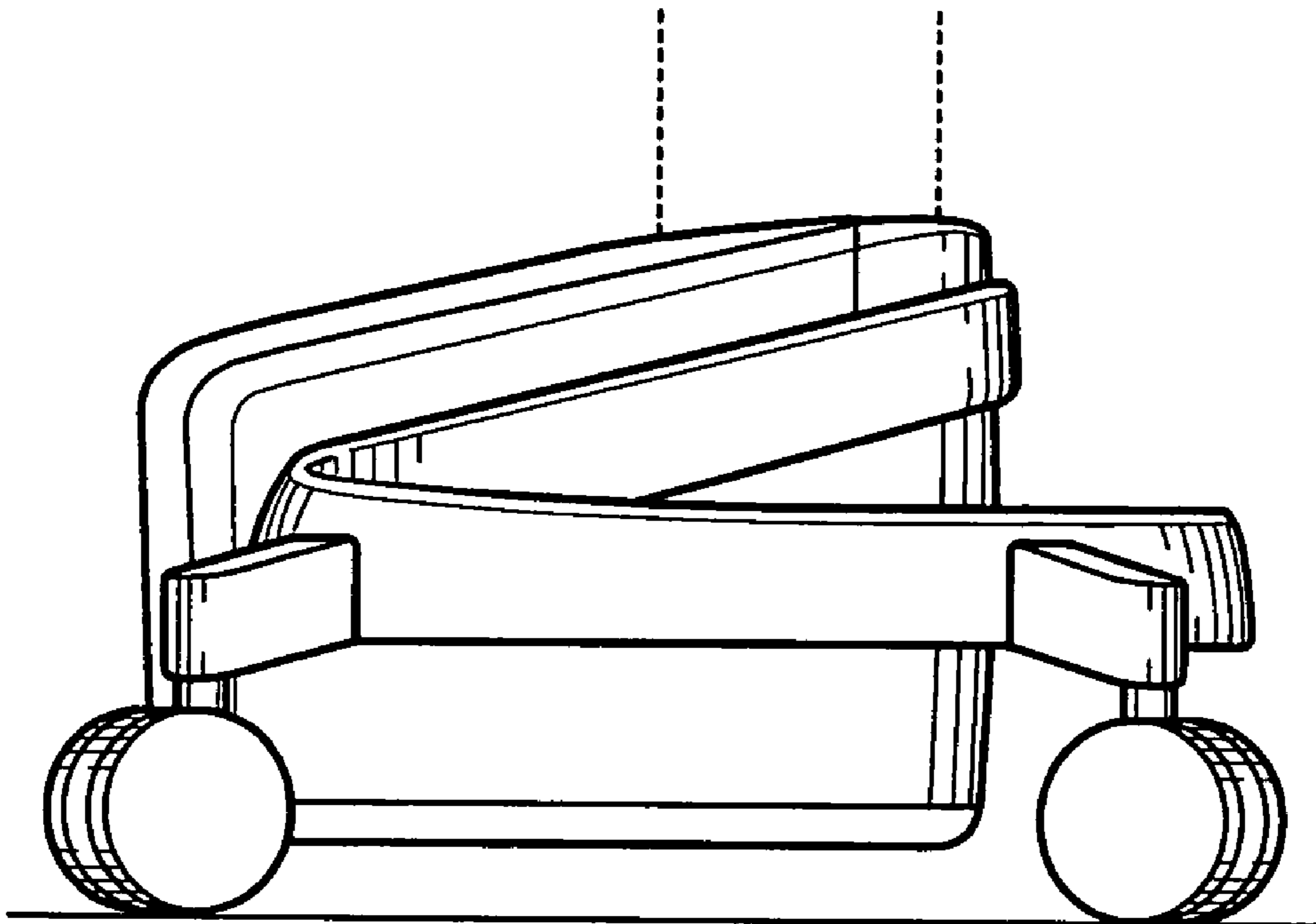


FIG. 2

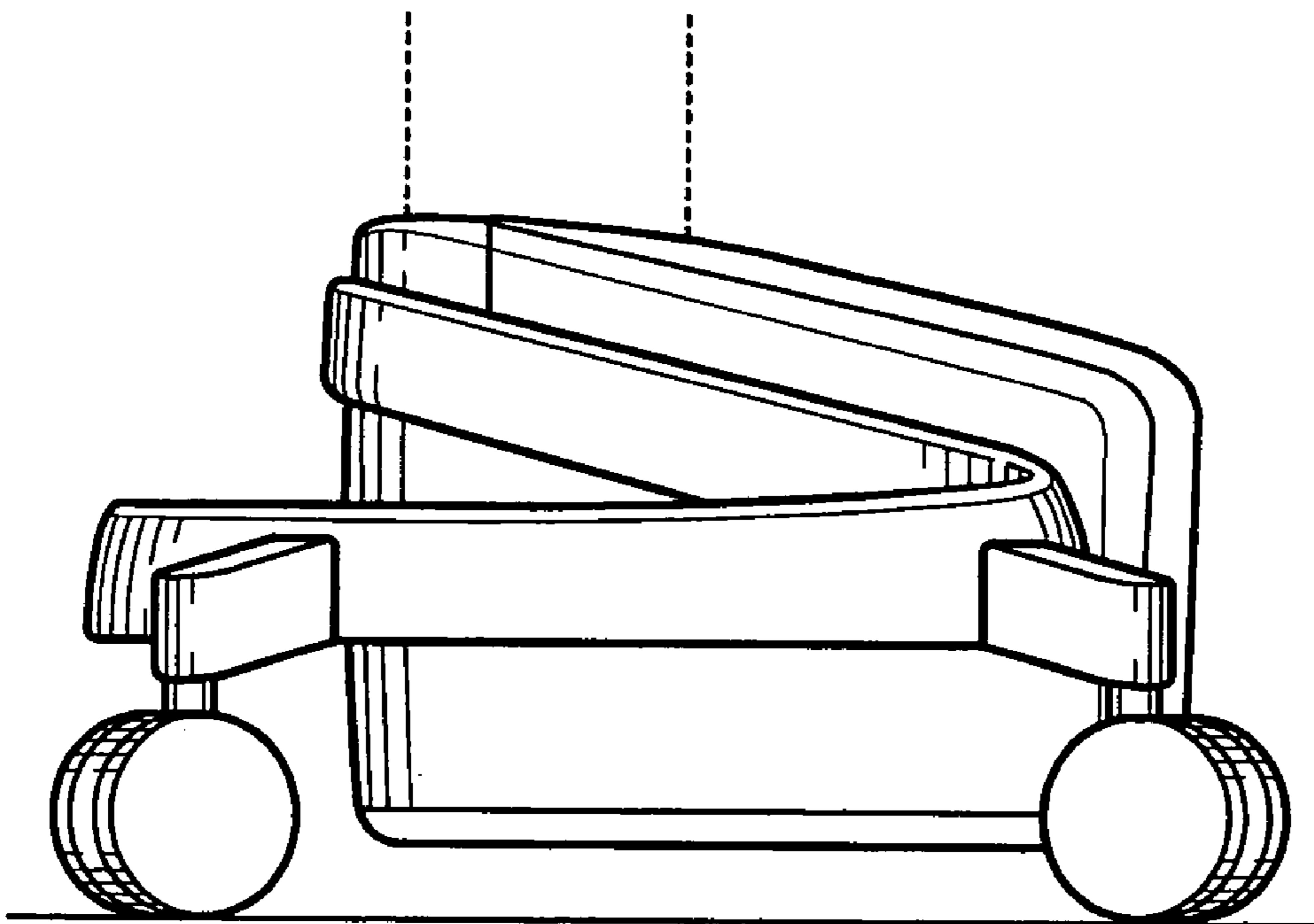


FIG. 3

