

US00D547518S

(12) **United States Design Patent**
McConnell

(10) **Patent No.:** **US D547,518 S**

(45) **Date of Patent:** **** Jul. 24, 2007**

- (54) **CART**
- (75) Inventor: **Evan T. McConnell**, Fairfax Station, VA (US)
- (73) Assignee: **Earthwalk Communications, Inc.**, Manassas, VA (US)
- (**) Term: **14 Years**
- (21) Appl. No.: **29/233,009**
- (22) Filed: **Jun. 27, 2005**
- (51) **LOC (8) Cl.** **12-02**
- (52) **U.S. Cl.** **D34/24**
- (58) **Field of Classification Search** D34/12-27; 40/308, 506; 280/33.992, 33.991, 655.1, 280/43.22, 645; D3/279, 76; 190/108, 103; 16/115

See application file for complete search history.

(56) **References Cited**

U.S. PATENT DOCUMENTS

- 3,675,108 A 7/1972 Nicholl
- 3,696,283 A 10/1972 Ackley, III
- 4,143,417 A 3/1979 Wald et al.
- 4,160,941 A 7/1979 Bennett
- 4,237,409 A 12/1980 Sugalski
- 4,254,850 A * 3/1981 Knowles 190/18 A
- 4,340,132 A * 7/1982 Cerna 190/18 A
- D270,017 S * 8/1983 DiDonna D3/279
- 4,672,292 A 6/1987 Hernandez
- 4,995,487 A * 2/1991 Plath 190/18 A
- 4,998,055 A 3/1991 Nash et al.
- 5,039,929 A 8/1991 Veistroffer et al.
- 5,206,577 A 4/1993 Fish
- D336,631 S 6/1993 Ivester
- 5,228,706 A * 7/1993 Boville 280/43.22
- D337,986 S 8/1993 Brunner et al.

- 5,357,184 A 10/1994 McGowan et al.
- 5,394,074 A 2/1995 Ori
- D357,354 S * 4/1995 Marchwiak et al. D3/279
- 5,428,868 A * 7/1995 Safdeye et al. 16/113.1
- 5,467,341 A 11/1995 Matsukane et al.
- 5,486,749 A 1/1996 Brainard
- 5,521,958 A 5/1996 Selig et al.
- 5,565,756 A 10/1996 Urbish et al.
- 5,602,456 A 2/1997 Cargin, Jr. et al.
- 5,641,588 A 6/1997 Sieminski et al.
- 5,647,484 A 7/1997 Fleming
- 5,671,407 A 9/1997 Demers et al.
- 5,677,827 A 10/1997 Yoshioka et al.
- 5,687,717 A 11/1997 Halpern et al.
- 5,694,019 A 12/1997 Uchida et al.

(Continued)

Primary Examiner—Freda S. Nunn
Assistant Examiner—Kevin K. Rudzinski
(74) *Attorney, Agent, or Firm*—Banner & Witcoff, Ltd.

(57) **CLAIM**

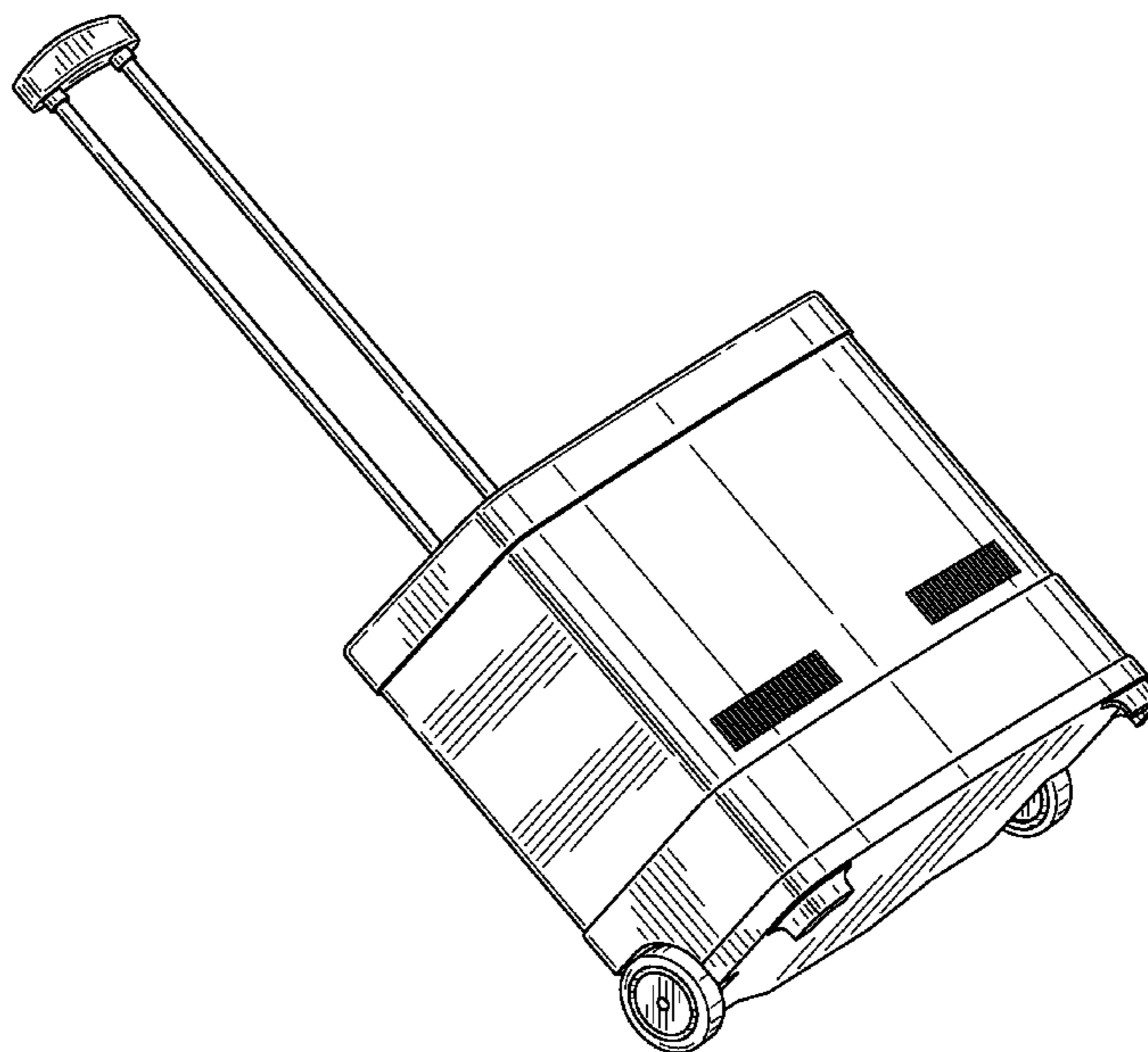
The ornamental design for a cart, as shown and described.

DESCRIPTION

FIG. 1 is an isometric view of a cart of my new design;
FIG. 2 is a front view thereof;
FIG. 3 a rear view thereof;
FIG. 4 is a right side view thereof;
FIG. 5 is a left side view thereof;
FIG. 6 is a top view thereof; and,
FIG. 7 is a bottom view thereof.

The broken line showing of various regions in FIG. 6 and the unshaded areas therein form no part of the claimed design.

1 Claim, 5 Drawing Sheets



US D547,518 S

Page 2

U.S. PATENT DOCUMENTS							
5,703,929	A	12/1997	Schillaci et al.	5,999,401	A	12/1999	Howell et al.
5,751,134	A	5/1998	Hoerner et al.	6,008,621	A	12/1999	Madison et al.
5,764,726	A	6/1998	Selig et al.	6,023,147	A	2/2000	Cargin, Jr. et al.
5,768,098	A	6/1998	Murayama	6,044,062	A	3/2000	Brownrigg et al.
5,791,469	A *	8/1998	Be 206/315.91	6,074,340	A	6/2000	Koenck
5,819,891	A *	10/1998	Wang et al. 190/103	6,078,164	A	6/2000	Park
5,831,415	A	11/1998	Rudolph et al.	6,108,199	A	8/2000	Bonardi et al.
5,860,015	A	1/1999	Olson	6,109,627	A *	8/2000	Be 280/47.19
5,888,664	A	3/1999	Sieminski et al.	D437,484	S *	2/2001	Tiramani et al. D3/279
5,889,386	A	3/1999	Koenck	6,218,796	B1	4/2001	Kozlowski
5,903,131	A	5/1999	Sekine et al.	6,421,525	B1	7/2002	Prewitt
5,915,008	A	6/1999	Dulman	6,493,217	B1	12/2002	Jenkins, Jr.
D412,702	S	8/1999	Goto	6,575,493	B1 *	6/2003	Lowenstein 280/655.1
5,957,699	A	9/1999	Peterson et al.	6,650,225	B2	11/2003	Bastian et al.
5,982,141	A	11/1999	Hinohara	2002/0097567	A1	7/2002	Zodnik et al.

* cited by examiner

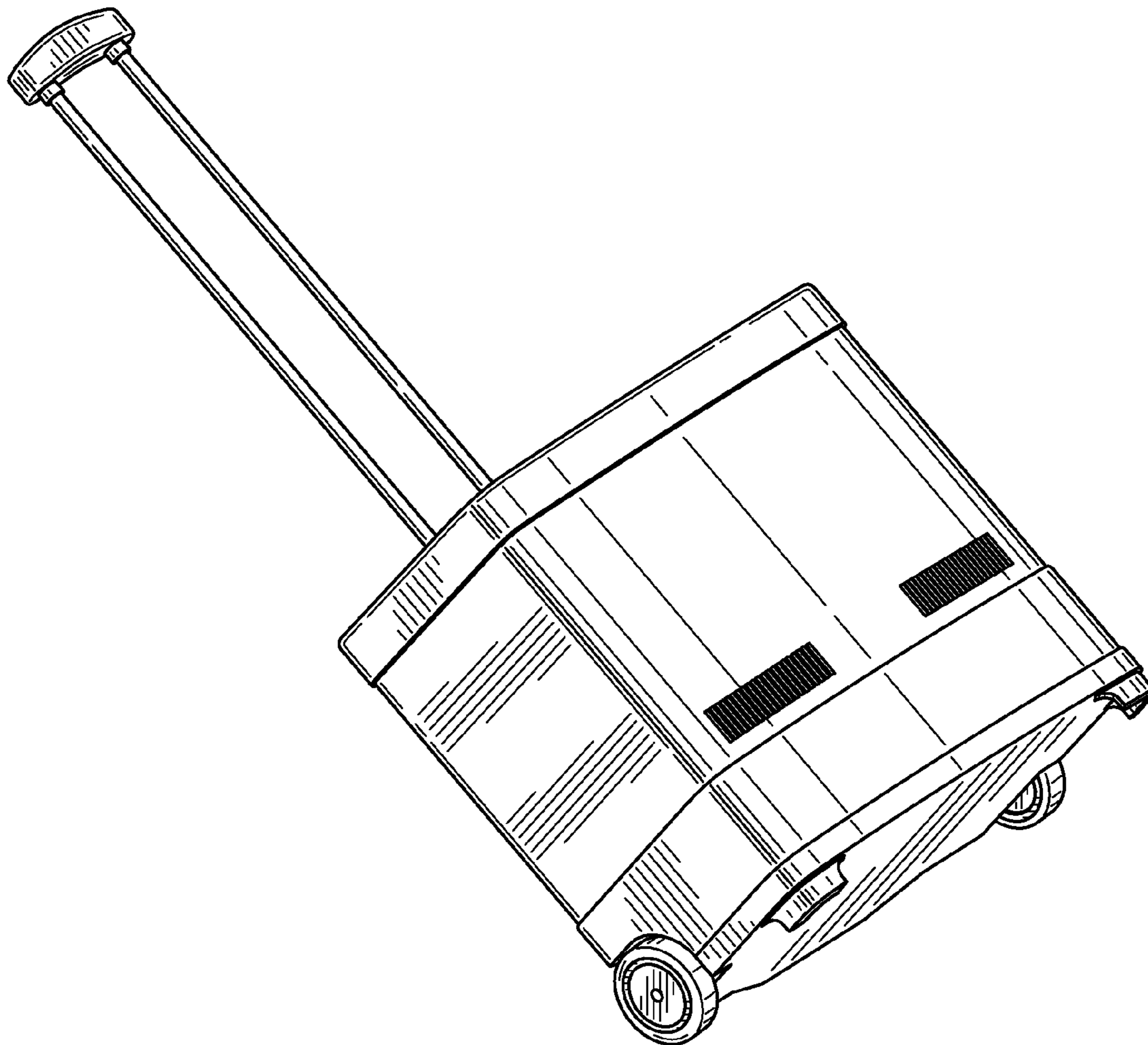


FIG. 1

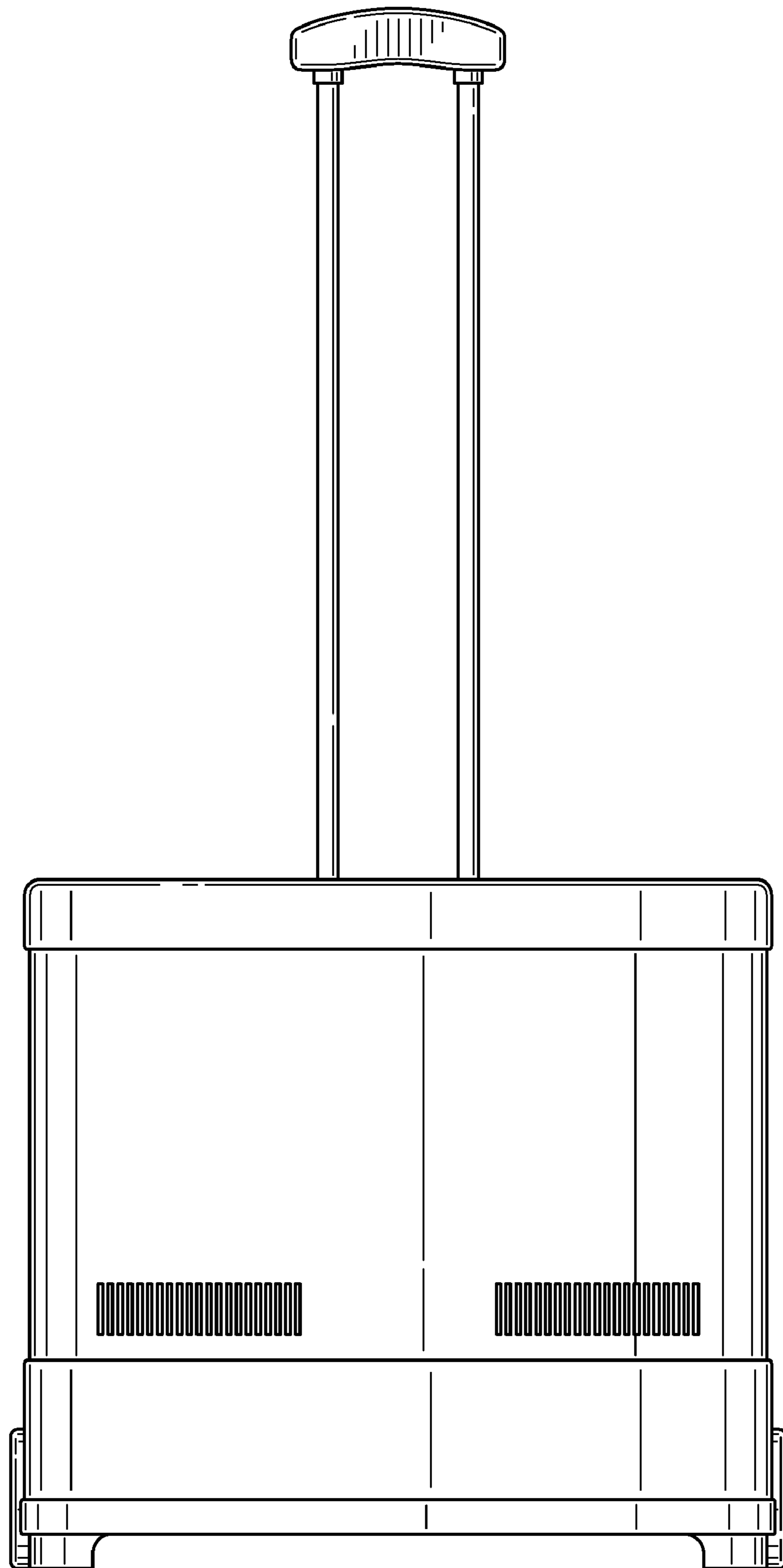


FIG. 2

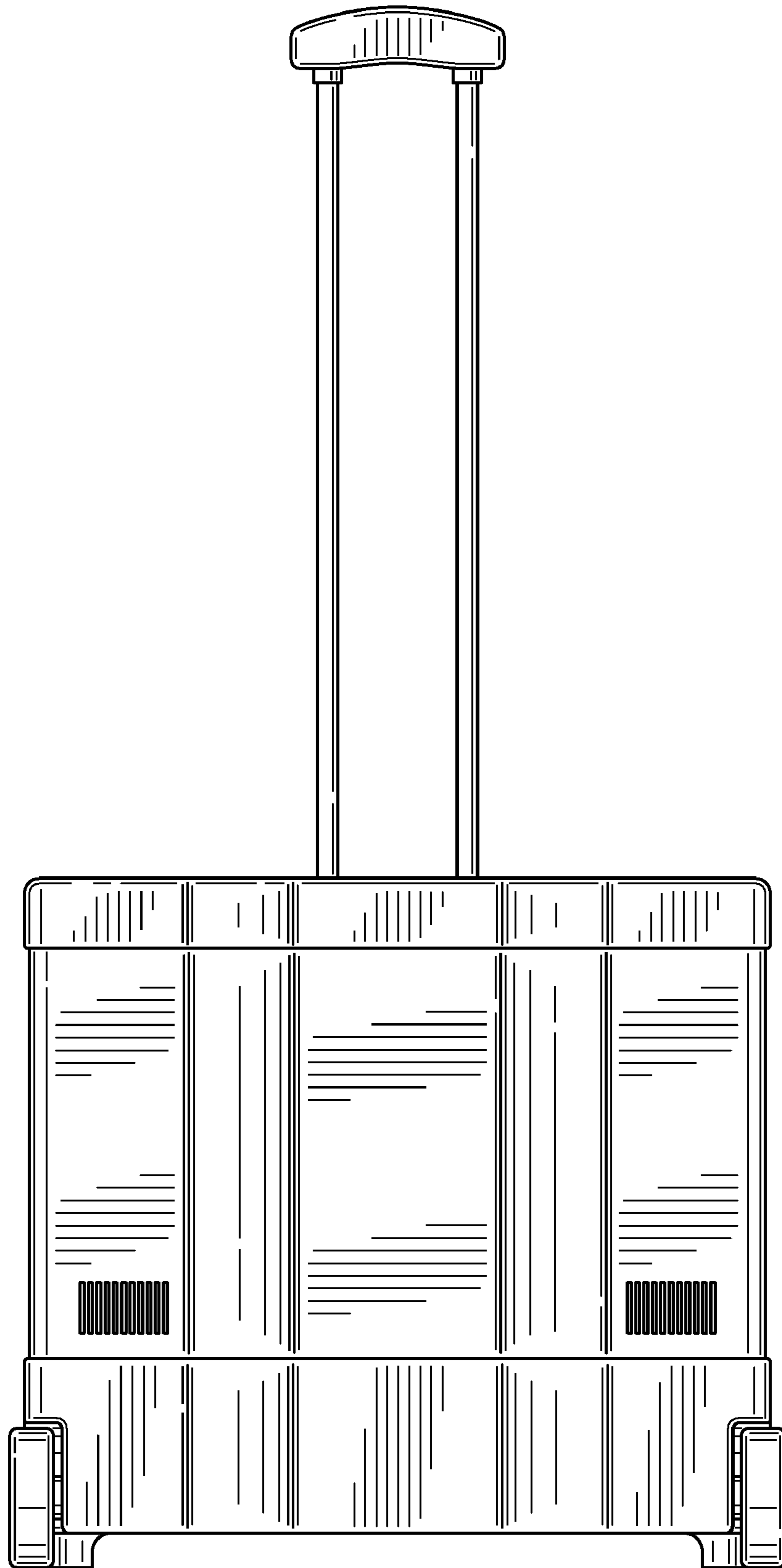


FIG. 3

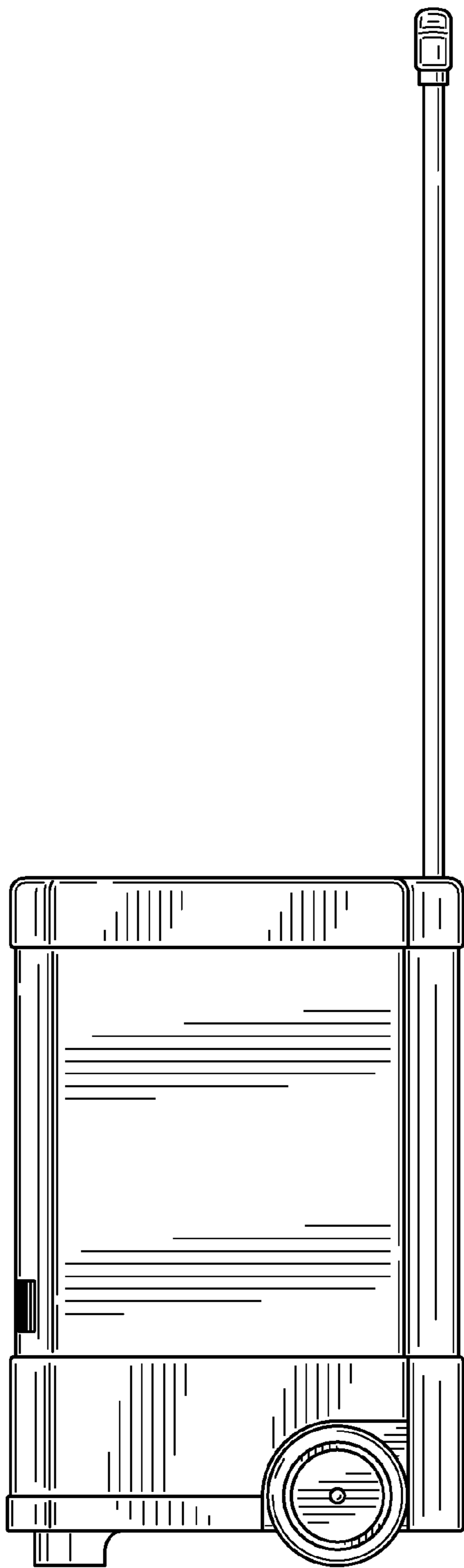


FIG. 4

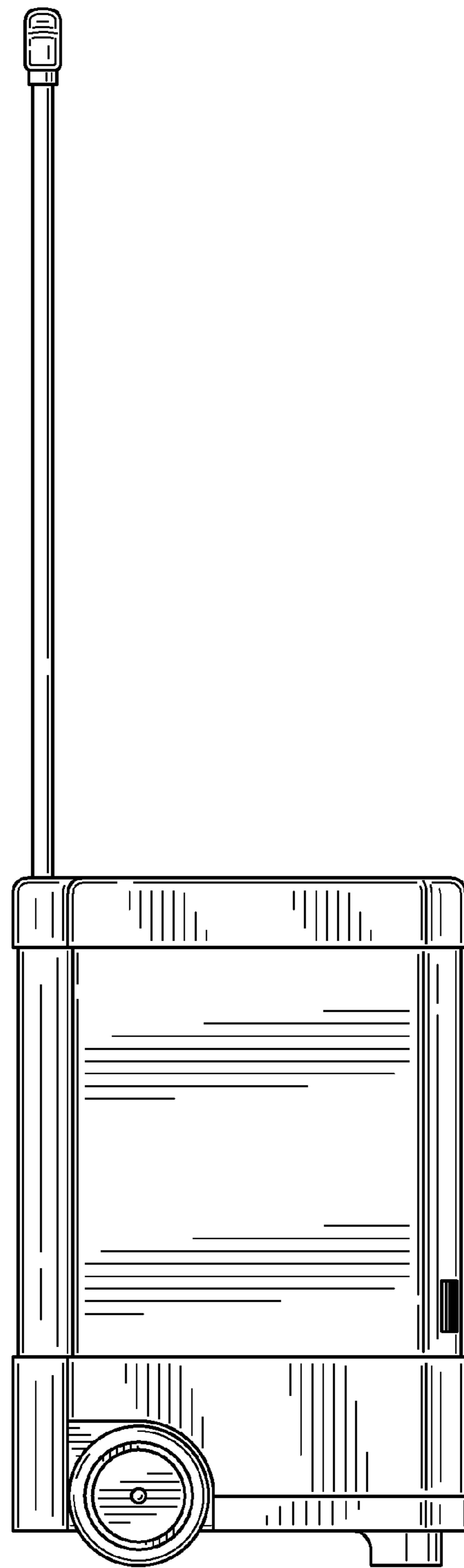


FIG. 5

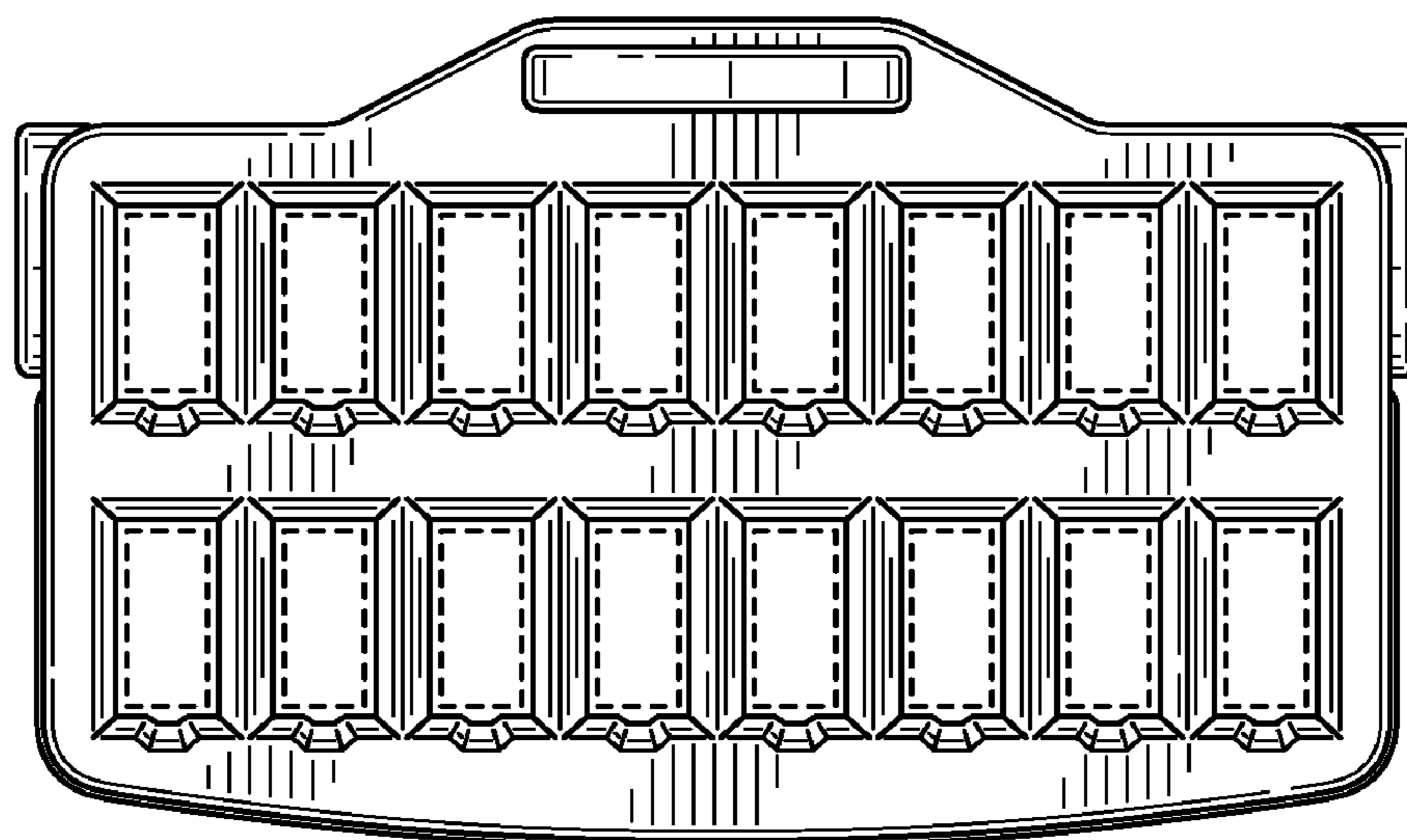


FIG. 6

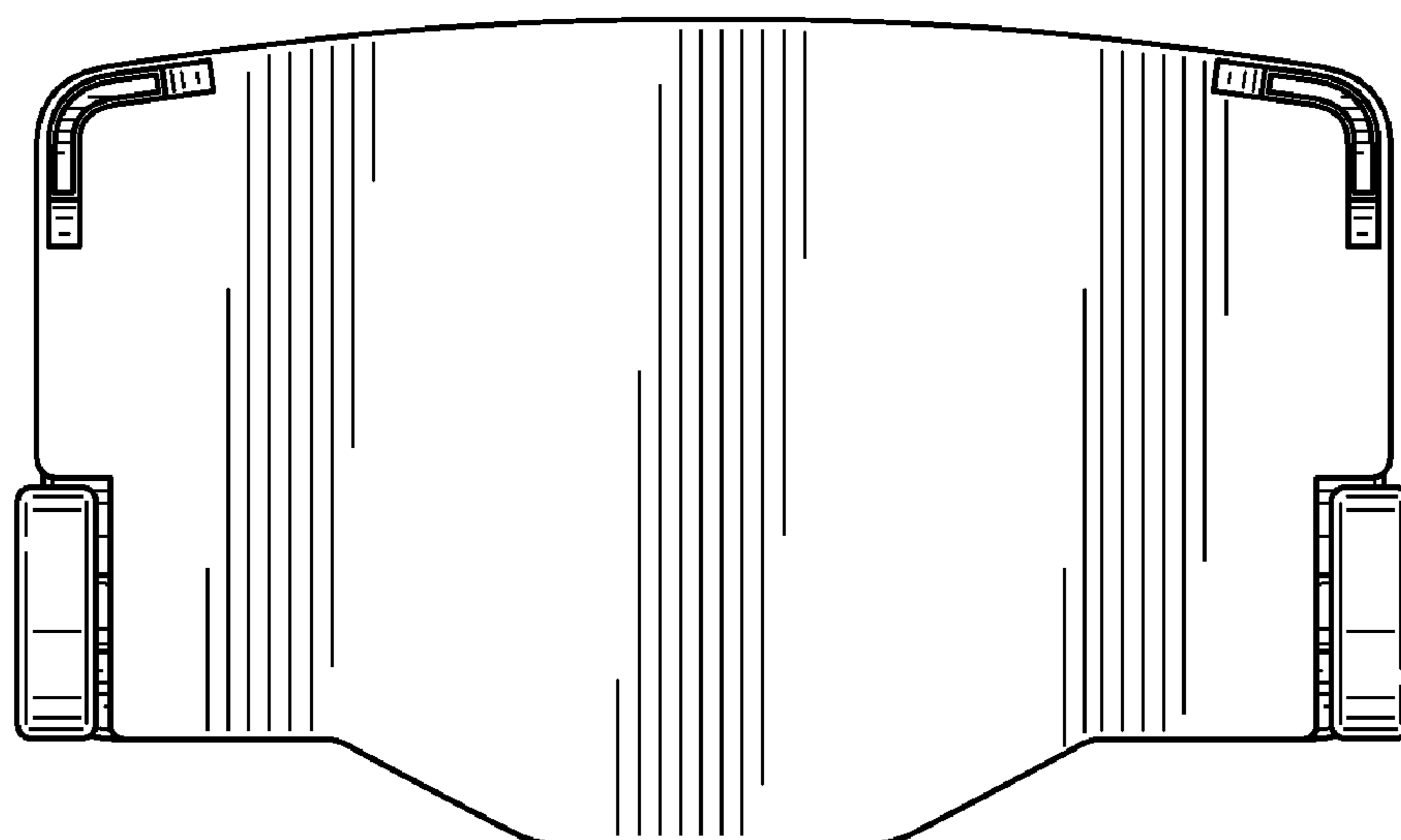


FIG. 7