

US00D547517S

(12) **United States Design Patent**
Hernandez

(10) **Patent No.:** **US D547,517 S**
(45) **Date of Patent:** **** Jul. 24, 2007**

(54) **MULTI-POSITION MECHANIC'S CREEPER**

(75) Inventor: **Hector R. Hernandez**, Fullerton, CA
(US)

(73) Assignee: **Alltrade Tools, LLC**, Long Beach, CA
(US)

(**) Term: **14 Years**

(21) Appl. No.: **29/263,110**

(22) Filed: **Jul. 17, 2006**

(51) **LOC (8) Cl.** **12-02**

(52) **U.S. Cl.** **D34/23**

(58) **Field of Classification Search** D34/12-27;
280/32.5, 32.6, 79.11, 79.2, 79.7

See application file for complete search history.

(56) **References Cited**

U.S. PATENT DOCUMENTS

546,993 A	10/1895	Bigalow	
781,243 A	1/1905	Thompson	
2,509,934 A	5/1950	Murray	
3,984,116 A	10/1976	Bowers	
4,580,799 A	4/1986	Quinonez	
4,889,352 A	12/1989	Chamberlin, Jr. et al.	
5,022,670 A	6/1991	Cote et al.	
5,108,118 A	4/1992	Schaevitz	
5,174,592 A	12/1992	Pool	
5,297,809 A	3/1994	Chen	
5,330,209 A	7/1994	Pool	
D351,707 S *	10/1994	Pill D34/23
5,494,305 A	2/1996	Chen	
5,730,449 A	3/1998	Miles	
D401,029 S	11/1998	Taylor	
5,857,683 A	1/1999	Auel	
5,863,053 A	1/1999	Berry	
D406,432 S	3/1999	Taylor et al.	
D406,433 S	3/1999	Taylor et al.	
D406,683 S	3/1999	Taylor et al.	

6,076,838 A *	6/2000	Peterson et al. 280/32.6
6,095,532 A	8/2000	Martin	
D436,708 S *	1/2001	Whiteside D34/27
6,702,305 B2	3/2004	Miles	
6,705,622 B2	3/2004	Whiteside	
6,966,564 B2	11/2005	Hernandez, Jr.	
D522,209 S *	5/2006	Chipps D34/23
D527,159 S *	8/2006	Staples D34/23
D530,877 S *	10/2006	Staples D34/23

* cited by examiner

Primary Examiner—Cynthia E. Ramirez

(74) *Attorney, Agent, or Firm*—Fulwider Patton LLP

(57) **CLAIM**

The new ornamental design of a multi-position mechanic's creeper, as shown and described.

DESCRIPTION

FIG. 1 is a perspective view, depicting a multi-position mechanic's creeper of the present invention;

FIG. 2 is a perspective view, depicting the underside of the multi-position mechanic's creeper of FIG. 1;

FIG. 3 is a top view, depicting the multi-position mechanic's creeper of FIG. 1;

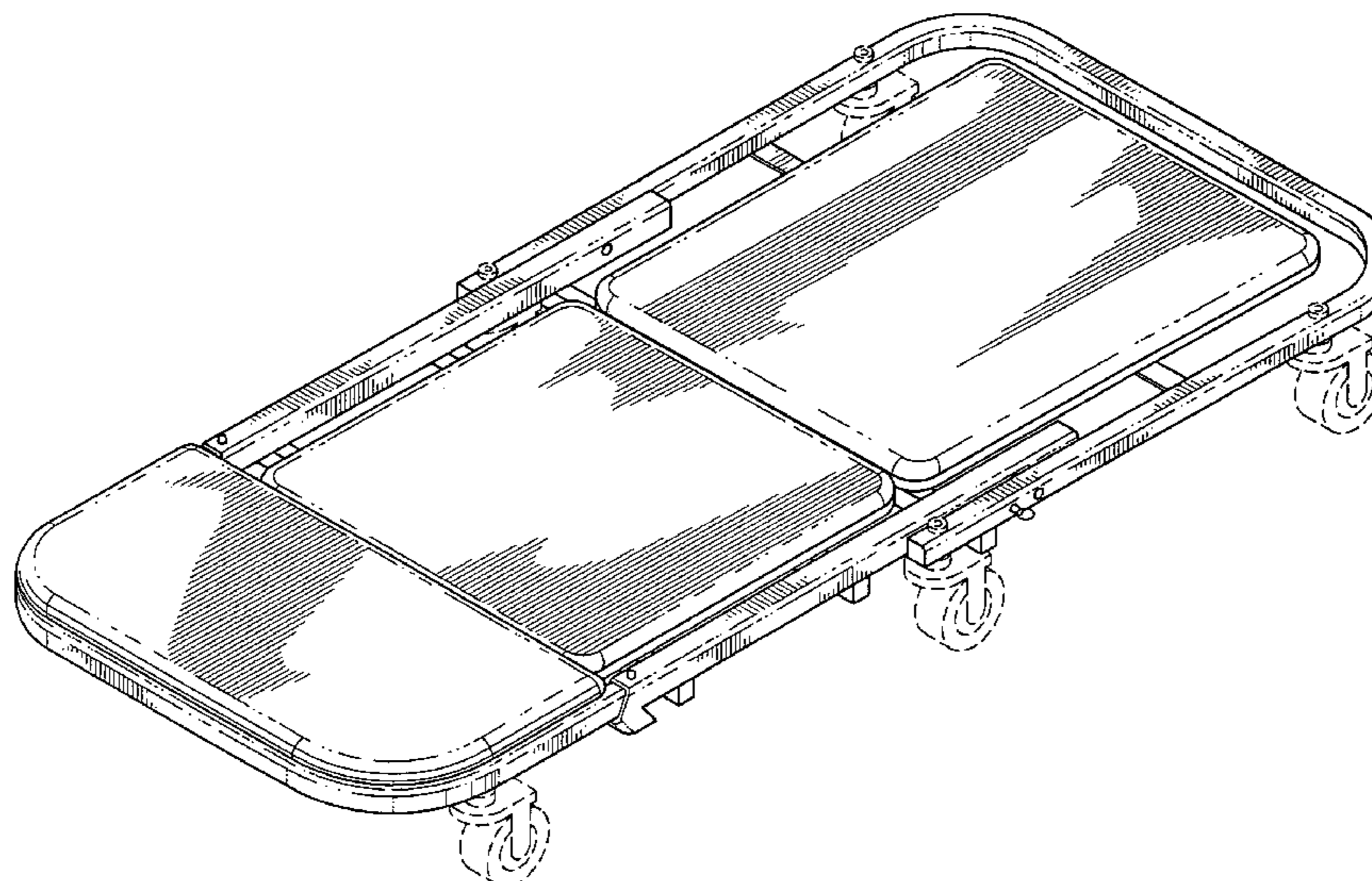
FIG. 4 is a side view, depicting the multi-position mechanic's creeper of FIG. 1;

FIG. 5 is a perspective view, depicting the multi-position mechanic's creeper of FIG. 1 in an inclined seating configuration; and,

FIG. 6 is a perspective view, depicting the multi-position mechanic's creeper of FIG. 1 in an upright seating configuration.

The broken line showing of wheels is included for the purpose of illustrating environmental structure and forms no part of the claimed design.

1 Claim, 5 Drawing Sheets



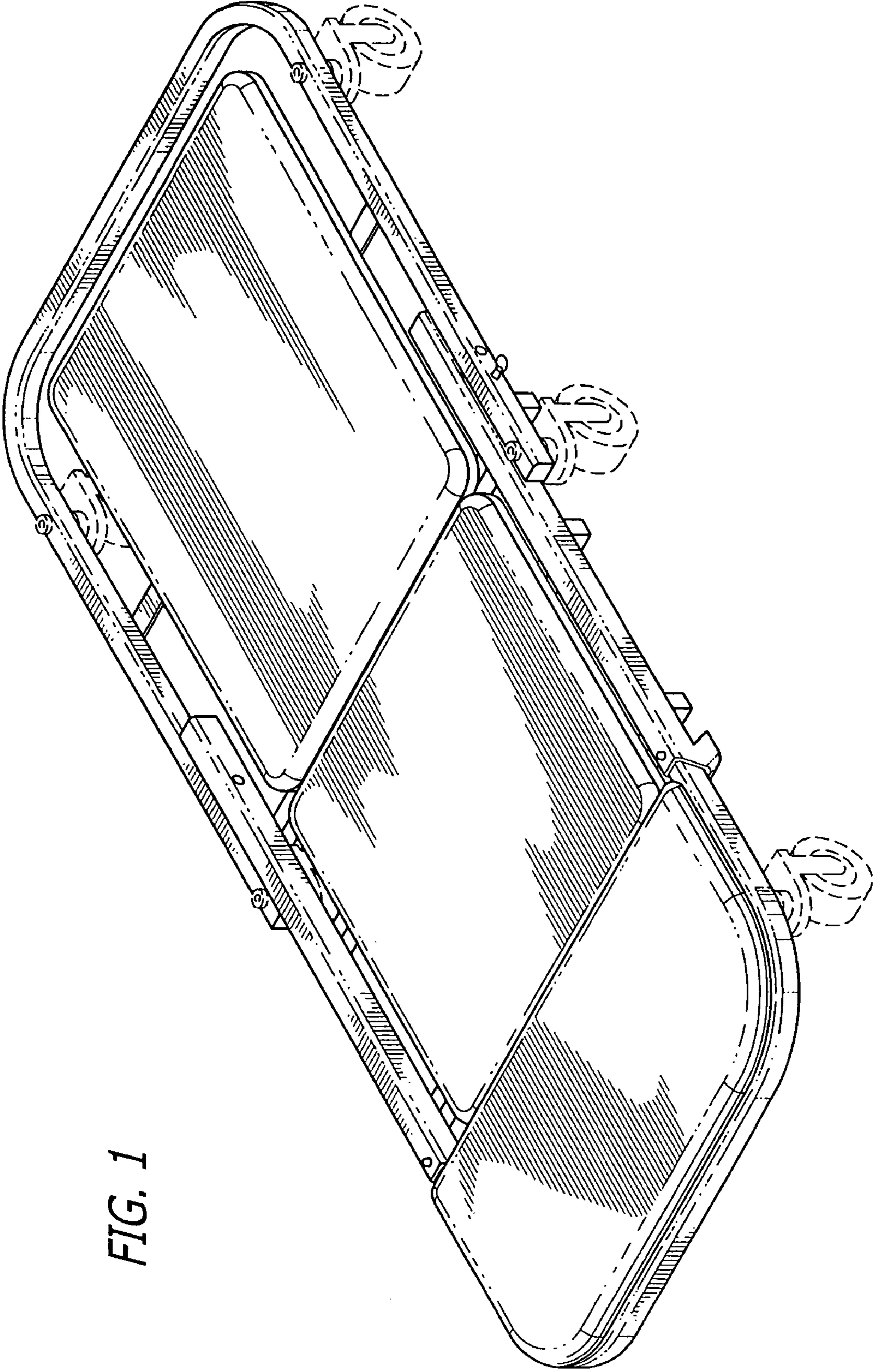


FIG. 1

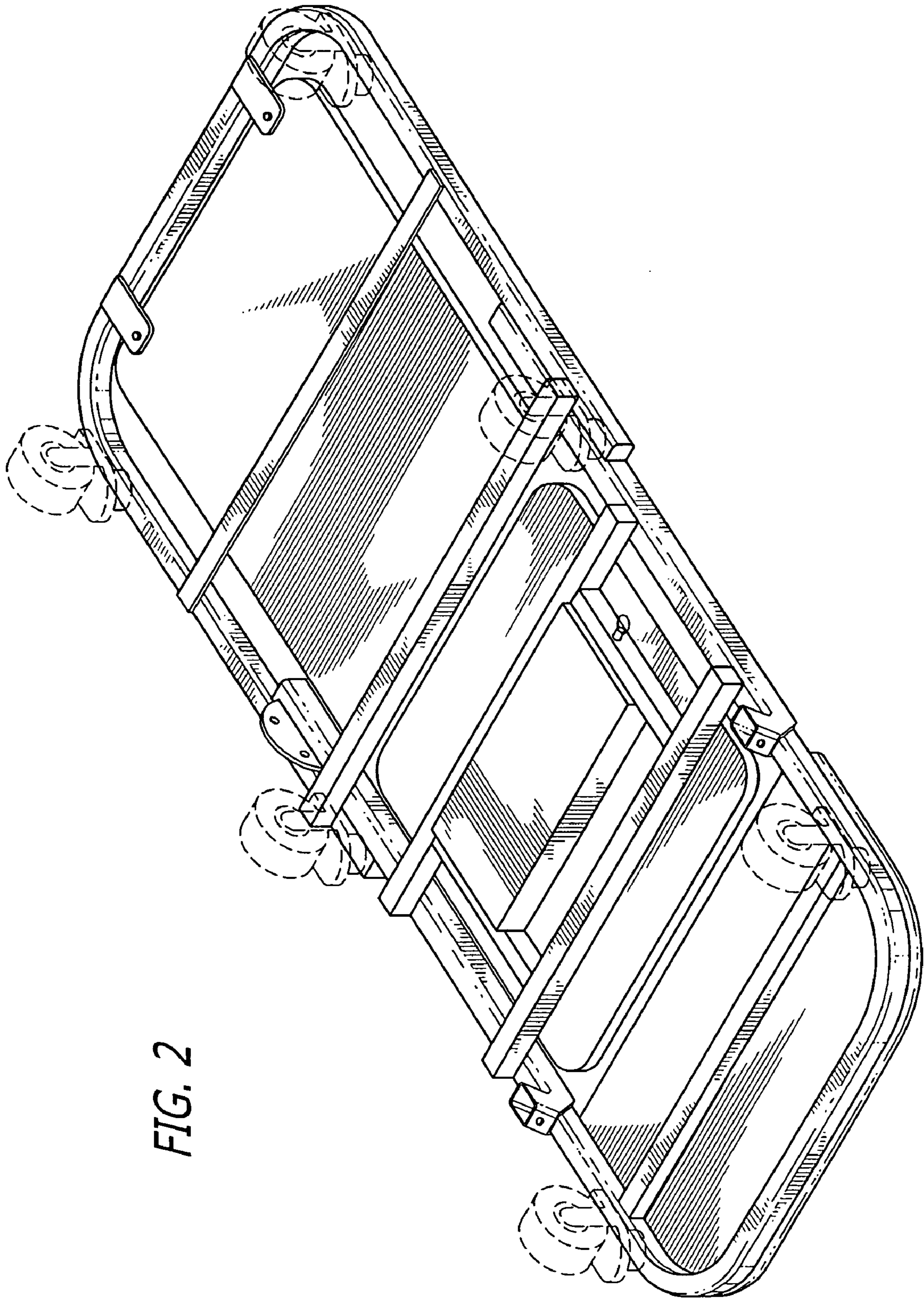


FIG. 2

FIG. 3

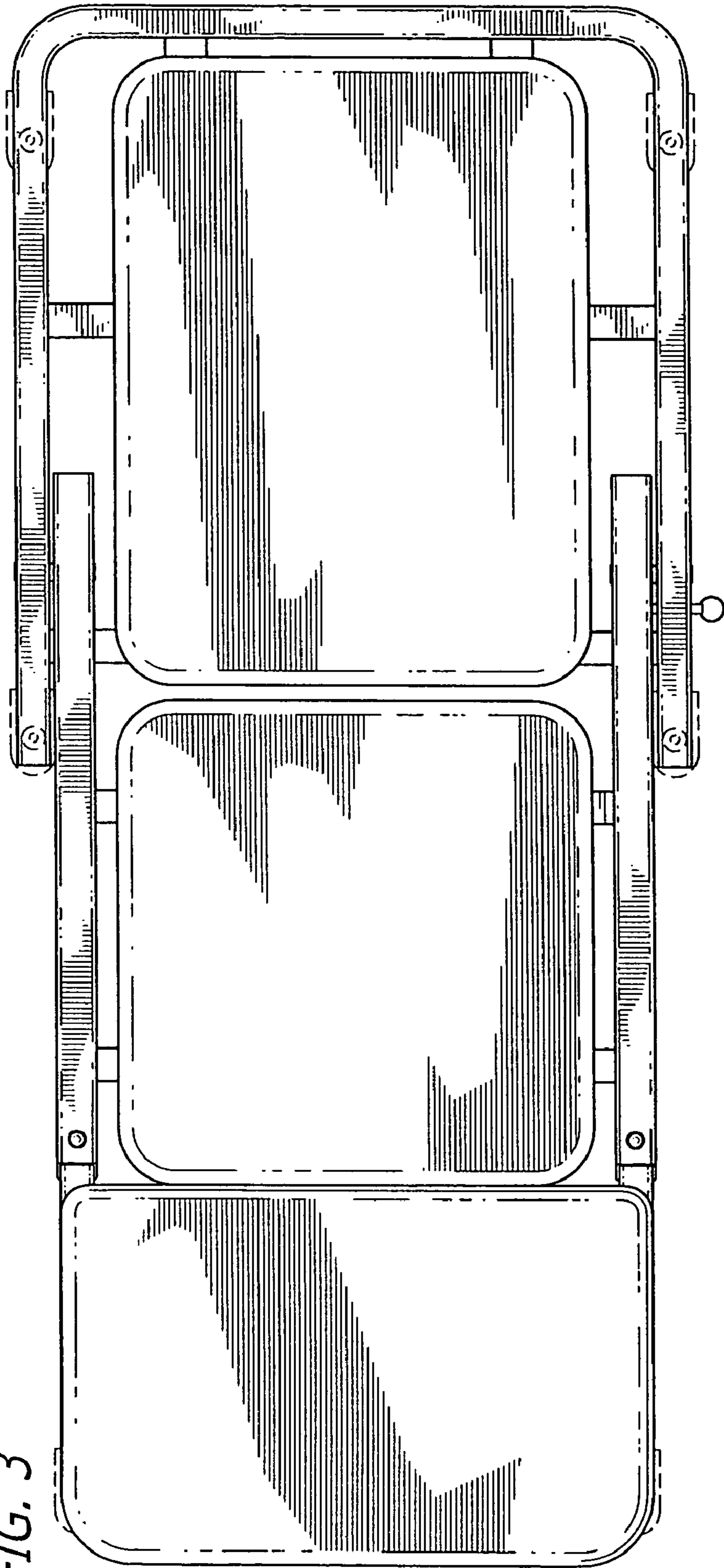
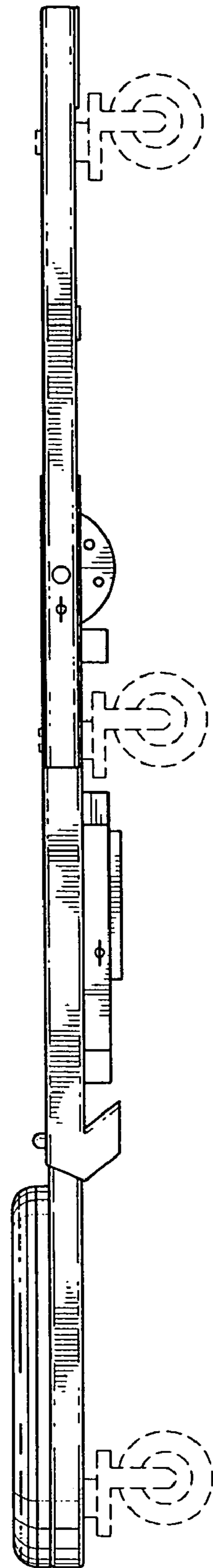


FIG. 4



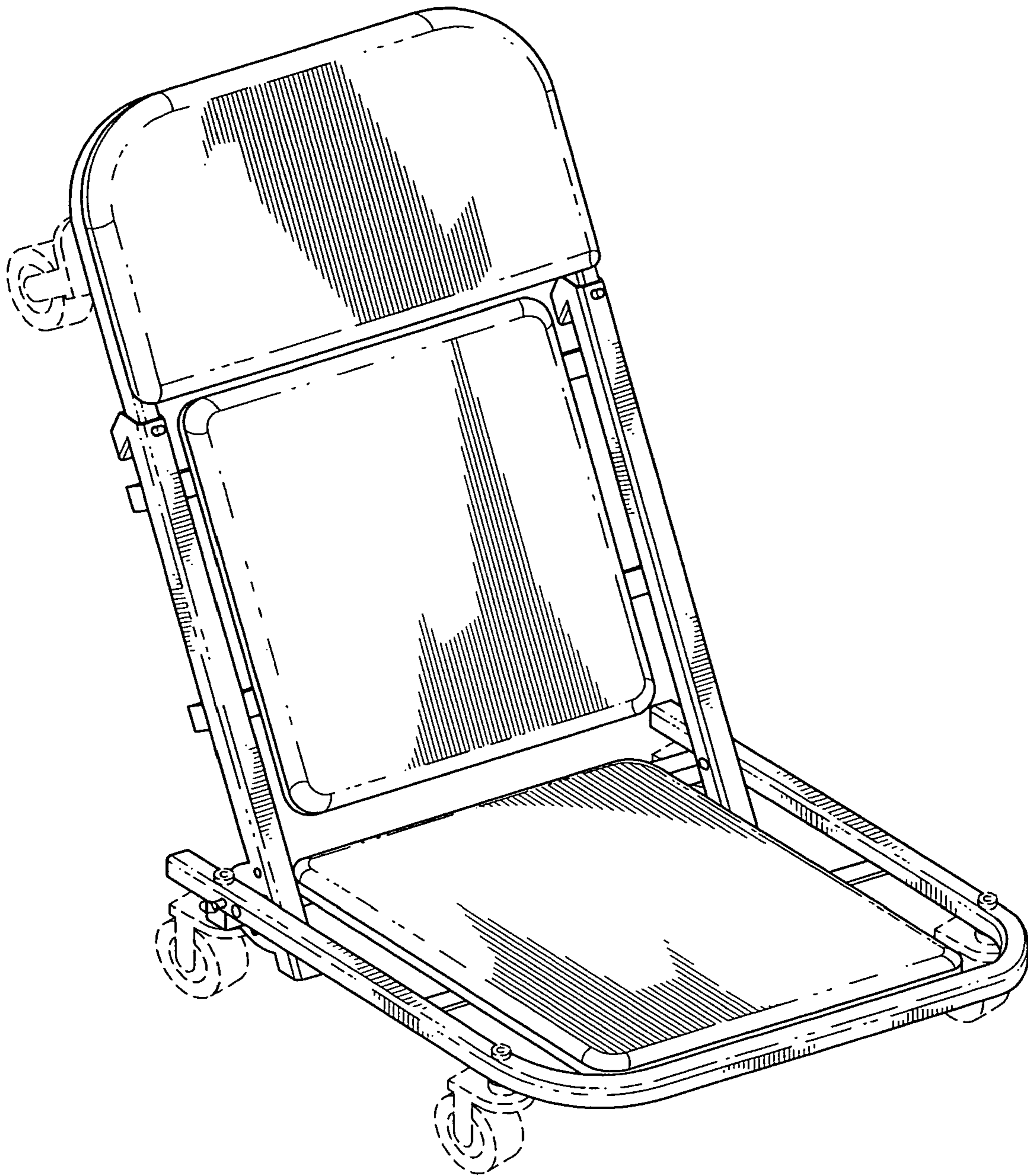


FIG. 5

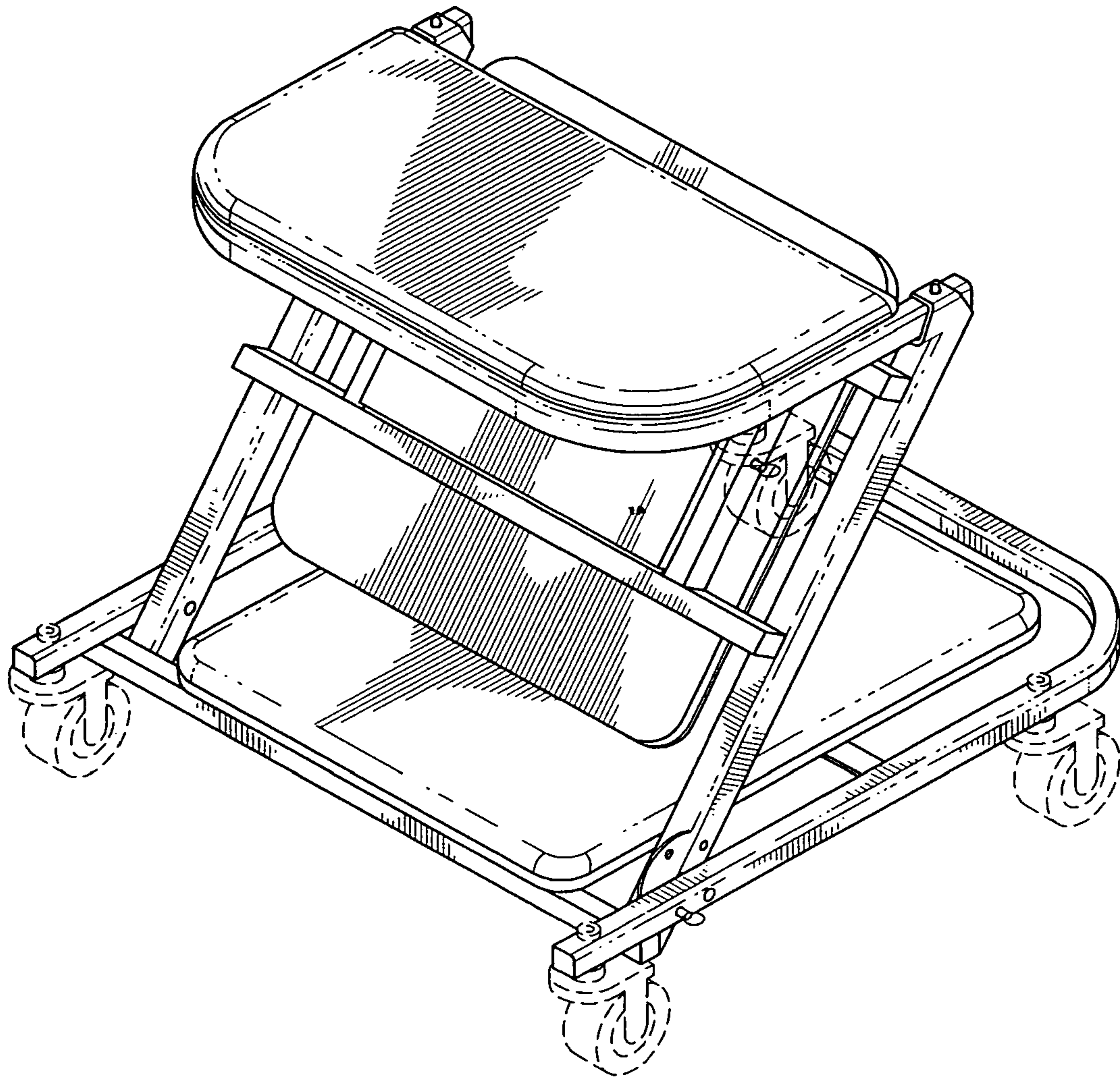


FIG. 6



US00D547517C1

(12) **EX PARTE REEXAMINATION CERTIFICATE** (6420th)
United States Patent
Hernandez

(10) **Number:** **US D547,517 C1**
(45) **Certificate Issued:** **Sep. 2, 2008**

(54) **MULTI-POSITION MECHANIC'S CREEPER**

(75) **Inventor:** **Hector R. Hernandez**, Fullerton, CA
(US)

(73) **Assignee:** **Alltrade Tools, LLC**, Long Beach, CA
(US)

Reexamination Request:

No. 90/010,008, Aug. 8, 2007

Reexamination Certificate for:

Patent No.: **Des. 547,517**
Issued: **Jul. 24, 2007**
Appl. No.: **29/263,110**
Filed: **Jul. 17, 2006**

(52) **U.S. Cl.** **D34/23**

(58) **Field of Classification Search** 280/30,
280/32.5, 32.6

See application file for complete search history.

(56) **References Cited**

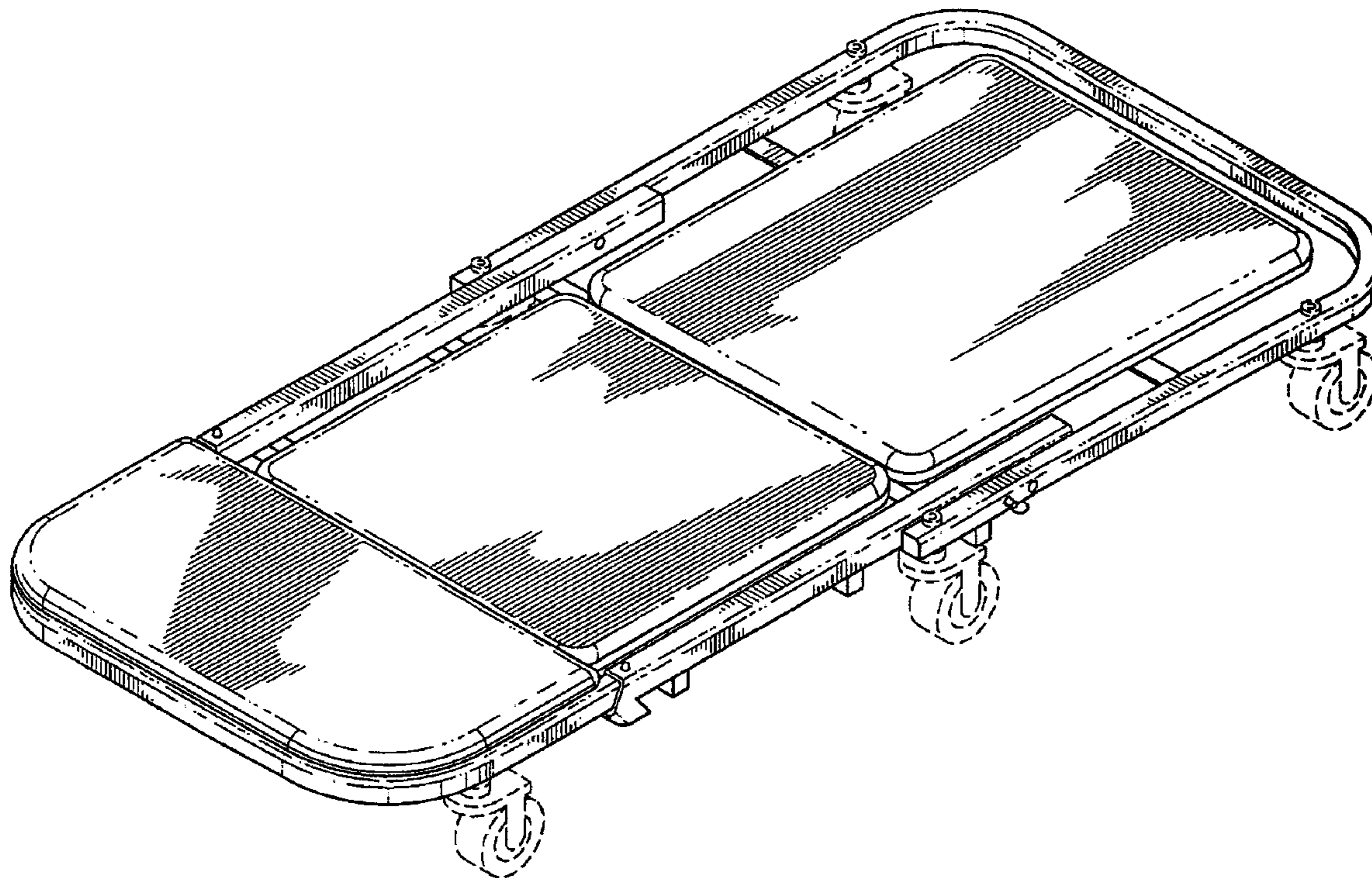
U.S. PATENT DOCUMENTS

5,451,068 A 9/1995 Shockley
RE35,732 E 2/1998 Shockley
6,199,877 B1 * 3/2001 Shockley 280/32.6
6,425,590 B1 * 7/2002 Whiteside et al. 280/32.6
6,969,077 B2 11/2005 Liu
2004/0227313 A1 11/2004 Shockley

* cited by examiner

(51) **LOC (8) Cl.** **12-02**

Primary Examiner—Adir Aronovich



**EX PARTE
REEXAMINATION CERTIFICATE
ISSUED UNDER 35 U.S.C. 307**

The patentability of the sole claim is confirmed.

The new ornamental design of a multi-position mechanic's creeper, as shown and described.

AS A RESULT OF REEXAMINATION, IT HAS BEEN
DETERMINED THAT:

* * * * *