

US00D547514S

(12) **United States Design Patent**
Zak

(10) **Patent No.:** **US D547,514 S**

(45) **Date of Patent:** **** Jul. 24, 2007**

(54) **WHEELED BUCKET**

(75) Inventor: **Zvi Zak**, Herzlia (IL)

(73) Assignee: **Keter Plastic Ltd.**, Herzelyia (IL)

(**) Term: **14 Years**

(21) Appl. No.: **29/231,608**

(22) Filed: **Jun. 8, 2005**

(30) **Foreign Application Priority Data**

Jan. 20, 2005 (IL) 40197

(51) **LOC (8) Cl.** **07-07**

(52) **U.S. Cl.** **D32/53**

(58) **Field of Classification Search** D32/37;

D34/19; 280/638, 641, 651, 47.34, 79.2

See application file for complete search history.

(56) **References Cited**

U.S. PATENT DOCUMENTS

3,346,271 A * 10/1967 Parsons 280/33.998

D315,757 S * 3/1991 Klitsner D21/536

D327,350 S * 6/1992 Brown et al. D34/16

D337,409 S * 7/1993 Maple et al. D34/27

D379,016 S * 4/1997 Wilson D34/24

D388,580 S * 12/1997 Havlovitz D34/19

D391,732 S * 3/1998 Spear et al. D34/19

6,145,856 A * 11/2000 Conti 280/47.26

D492,458 S * 6/2004 Jarast D34/17

* cited by examiner

Primary Examiner—Alan P. Douglas

Assistant Examiner—Barbara Fox

(74) *Attorney, Agent, or Firm*—Browdy and Neimark, PLLC

(57) **CLAIM**

The ornamental design for a wheeled bucket, as shown and described.

DESCRIPTION

FIG. 1 is a front view of a wheeled bucket showing my new design;

FIG. 2 is a rear view thereof;

FIG. 3 is an isometric view thereof;

FIG. 4 is a side view thereof, the other side being a mirror image; and,

FIG. 5 is a top view thereof.

1 Claim, 1 Drawing Sheet

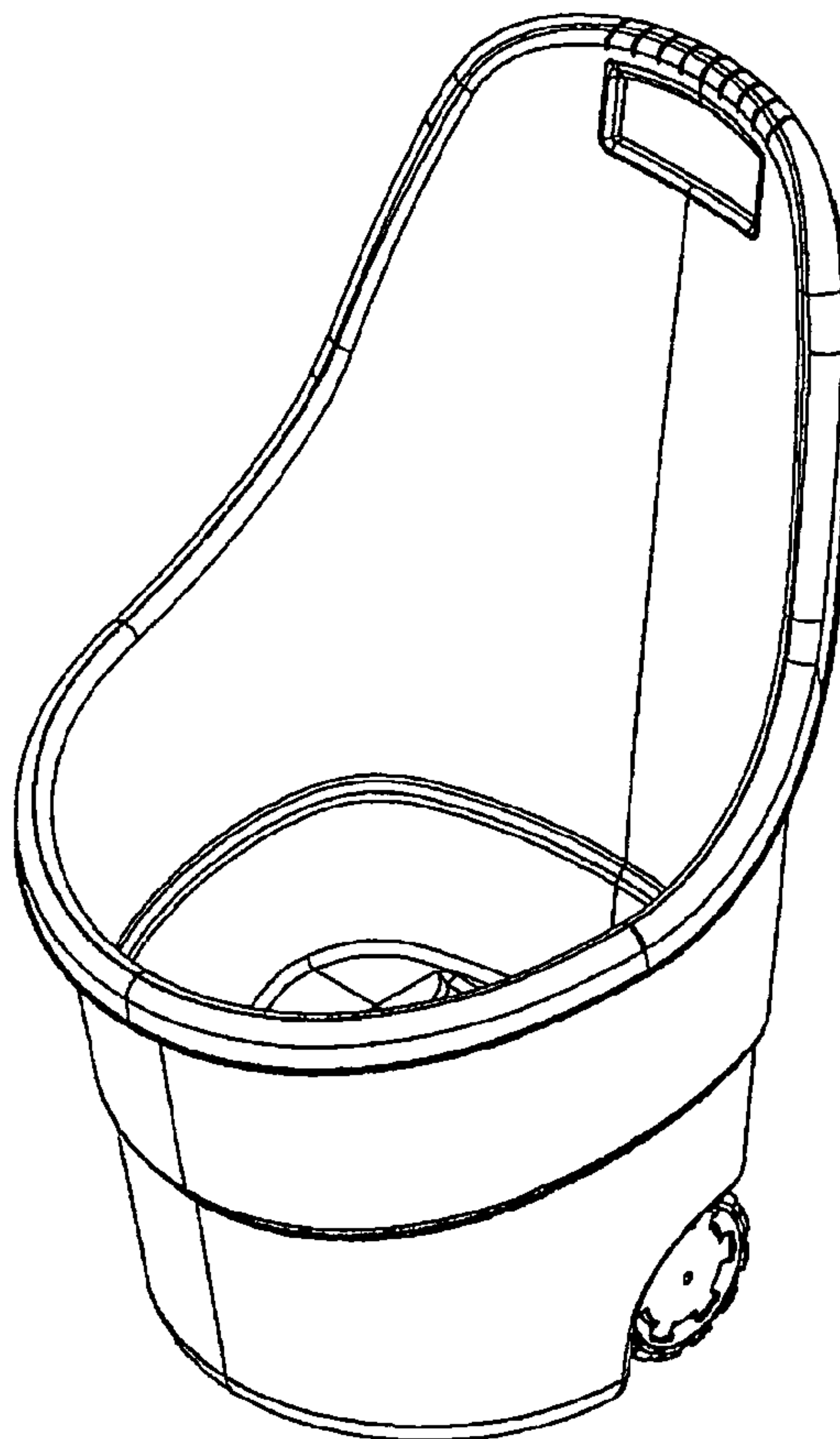


Fig. 1

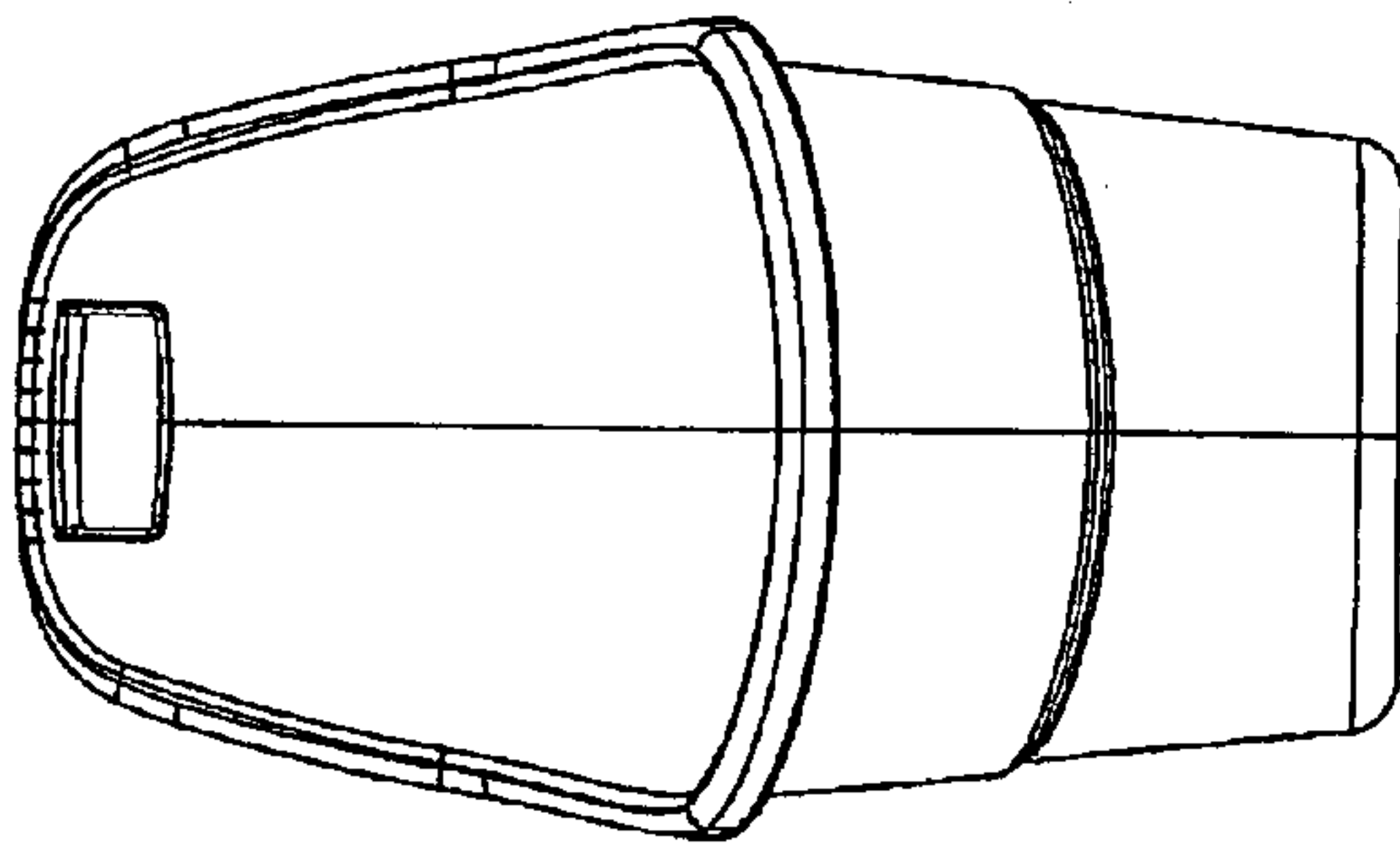


Fig. 2

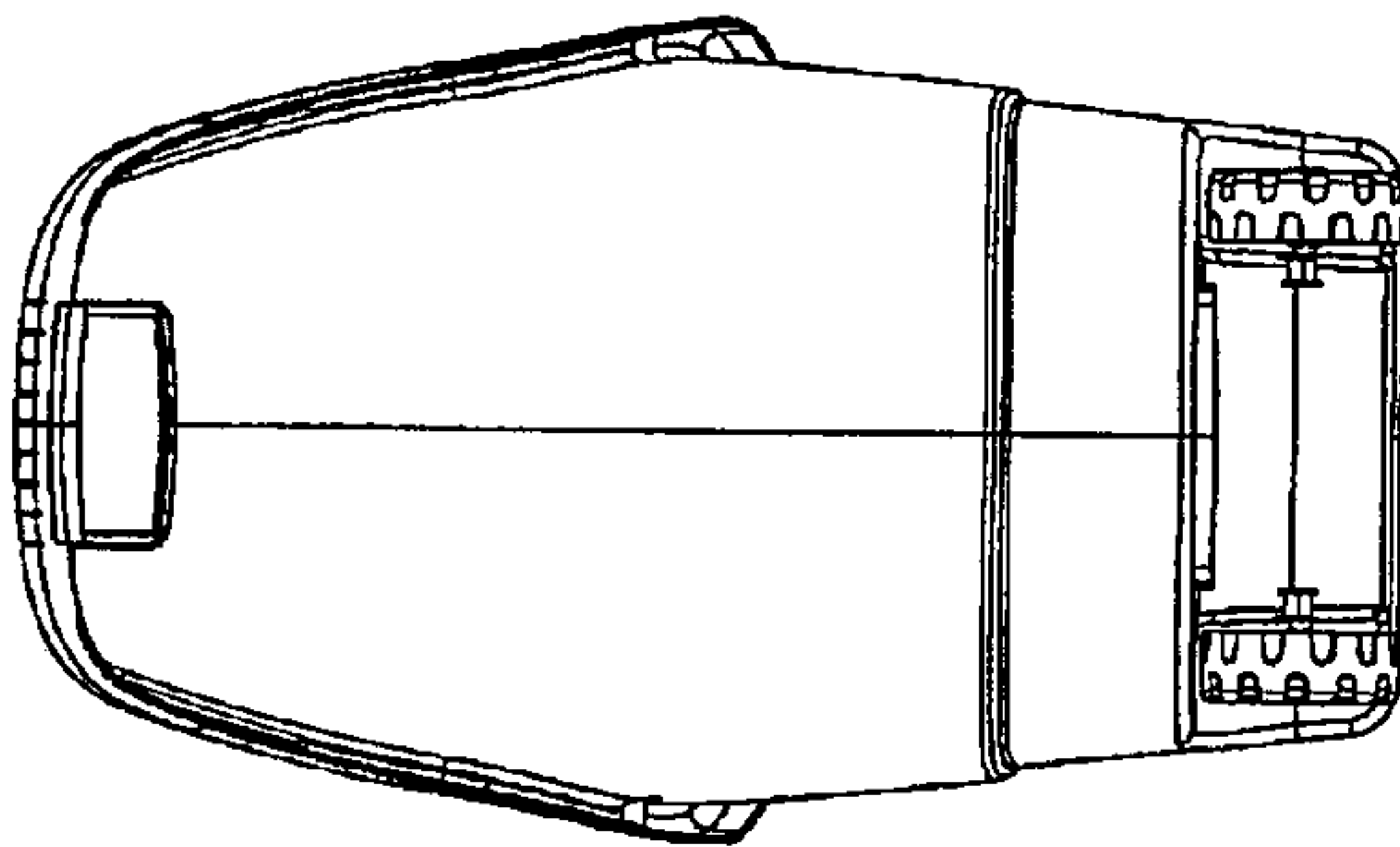


Fig. 4

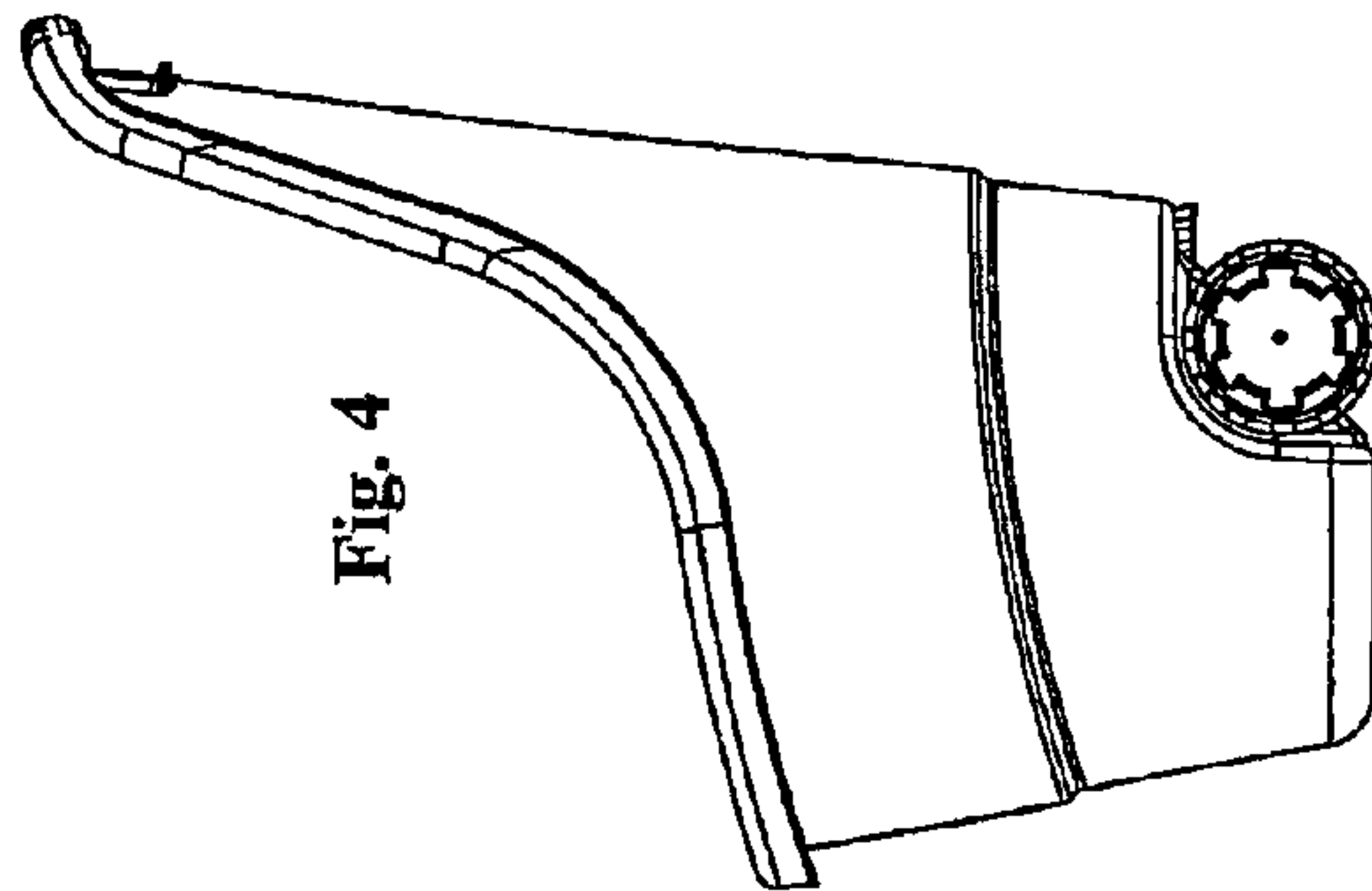


Fig. 5

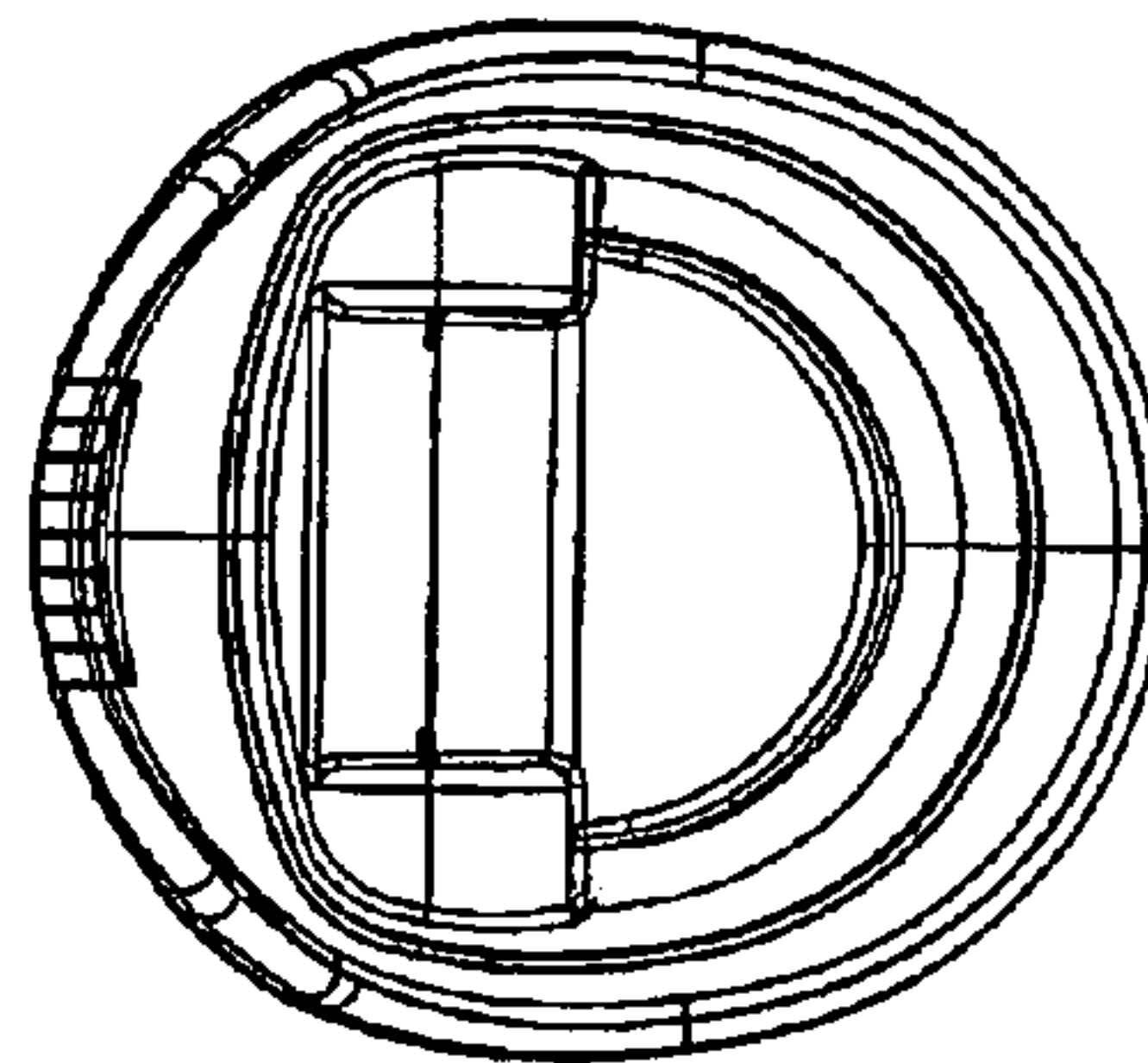


Fig. 3

