

US00D547513S

(12) **United States Design Patent** (10) **Patent No.:** **US D547,513 S**  
**Peroni et al.** (45) **Date of Patent:** **\*\* Jul. 24, 2007**

(54) **ICE SCRAPER**

(75) Inventors: **Peter Peroni**, Pottstown, PA (US);  
**Anthony Daddario, Jr.**, West Chester,  
PA (US); **Jeffrey Singer**, Kennett  
Square, PA (US)

(73) Assignee: **LaFrance Corporation**, Concordville,  
PA (US)

(\*\*) Term: **14 Years**

(21) Appl. No.: **29/210,545**

(22) Filed: **Aug. 3, 2004**

(51) **LOC (8) Cl.** ..... **08-05**

(52) **U.S. Cl.** ..... **D32/46**

(58) **Field of Classification Search** ..... D32/40,  
D32/41, 46, 48, 49; 15/236.01, 236.02, 236.05,  
15/236.06, 236.08; 30/169; D8/107  
See application file for complete search history.

(56) **References Cited**

**U.S. PATENT DOCUMENTS**

2,821,017	A *	1/1958	Liesunaitis	.....	30/169
4,770,712	A	9/1988	Hopkins		
4,870,712	A	10/1989	Markus		
D336,783	S *	6/1993	Hopkins et al.	.....	D4/118
D396,910	S *	8/1998	Henke	.....	D32/49
5,960,509	A	10/1999	Wu		
D441,156	S *	4/2001	Zegman	.....	D32/49
6,625,837	B2	9/2003	Jiang		
D485,034	S *	1/2004	Anderson et al.	.....	D32/49
2006/0021175	A1 *	2/2006	Peroni	.....	15/236.02

\* cited by examiner

*Primary Examiner*—Alan P. Douglas

*Assistant Examiner*—Barbara Fox

(74) *Attorney, Agent, or Firm*—Connolly Bove Lodge &  
Hutz

(57) **CLAIM**

The ornamental design for an ice scraper, as shown and  
described.

**DESCRIPTION**

FIG. 1 is a perspective view of an ice scraper shown in its  
open position showing our new design;

FIG. 2 is a right side elevational view thereof with the left  
side elevational view being identical;

FIG. 3 is a top plan view thereof;

FIG. 4 is a front elevational view thereof;

FIG. 5 is a rear elevational view thereof;

FIG. 6 is a bottom plan view thereof;

FIG. 7 is a right side elevational view of the ice scraper of  
FIGS. 1–6 shown in its folded position showing our new  
design with the left side elevational view being identical;

FIG. 8 is a top plan view thereof;

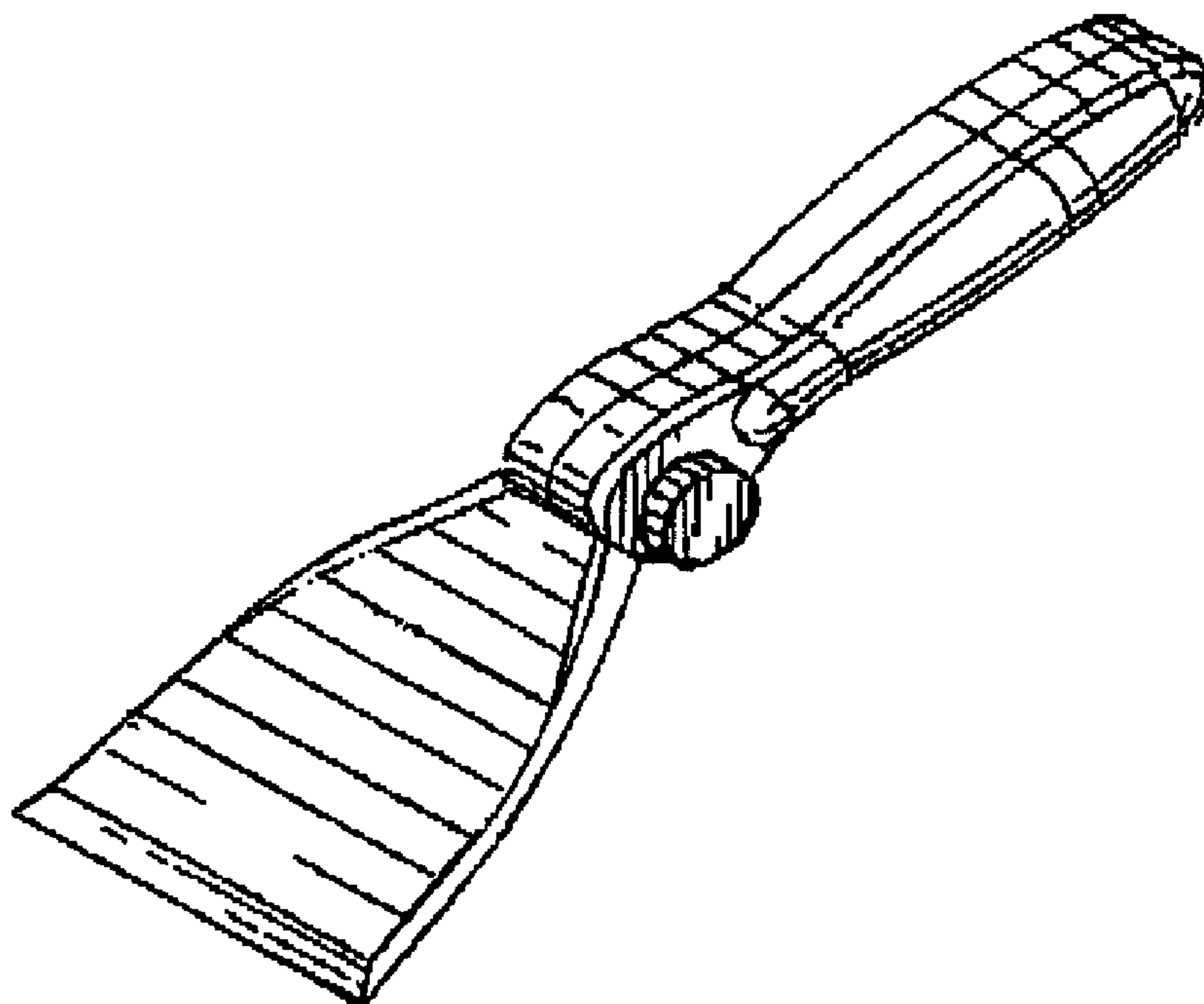
FIG. 9 is a front elevational view thereof;

FIG. 10 is a rear elevational view thereof; and,

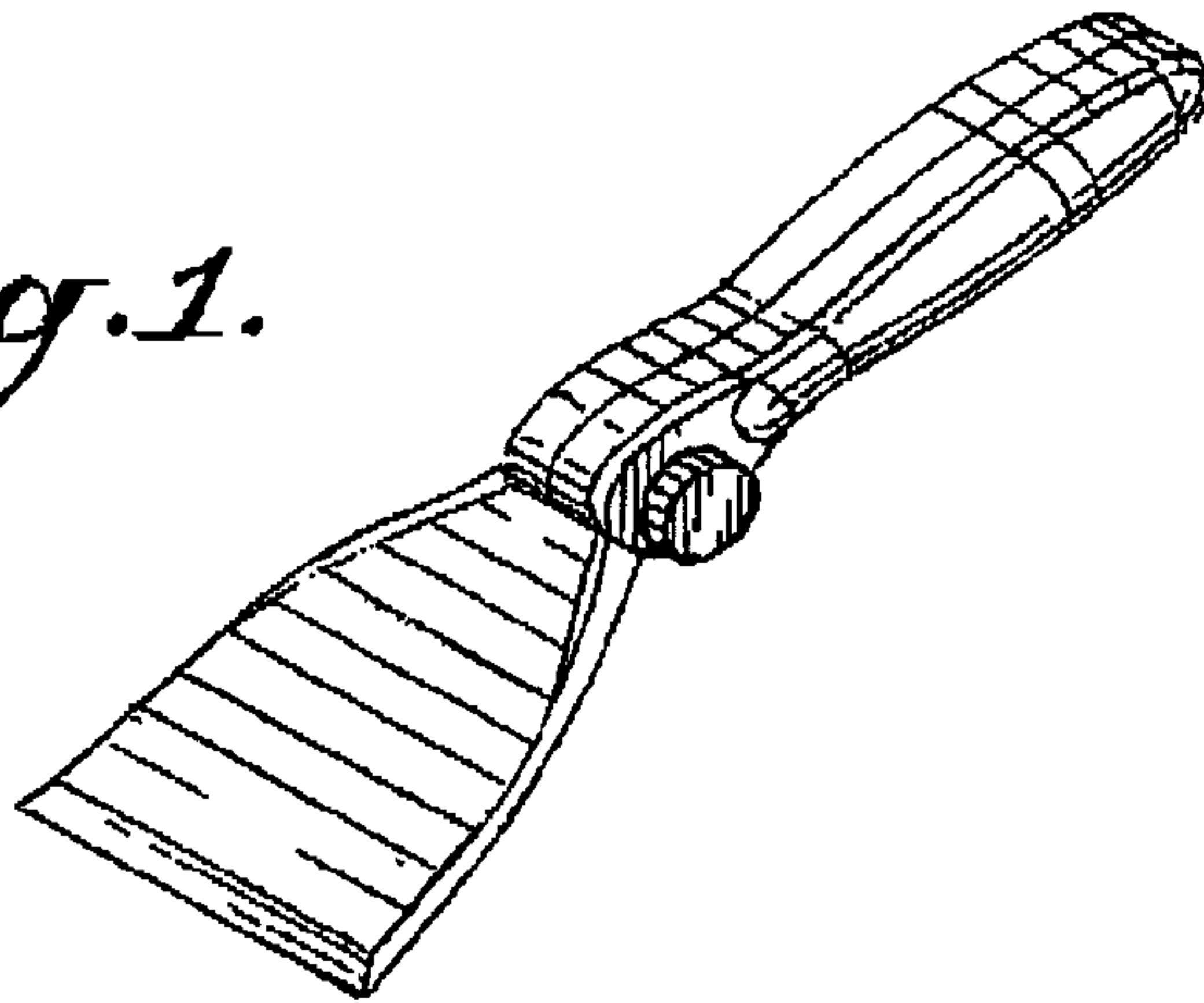
FIG. 11 is a bottom plan view thereof.

The broken line showing of the ice scraper is included for  
the purpose of illustrating portions of the article and forms  
no part of the claimed design.

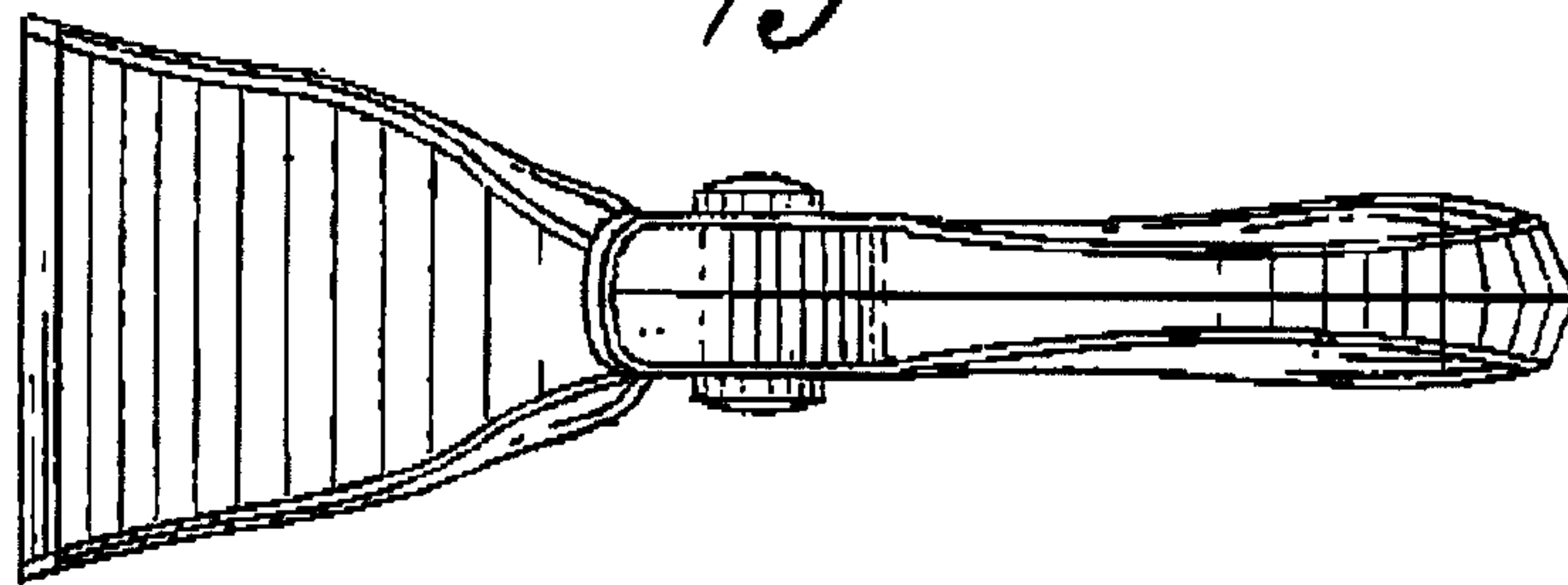
**1 Claim, 2 Drawing Sheets**



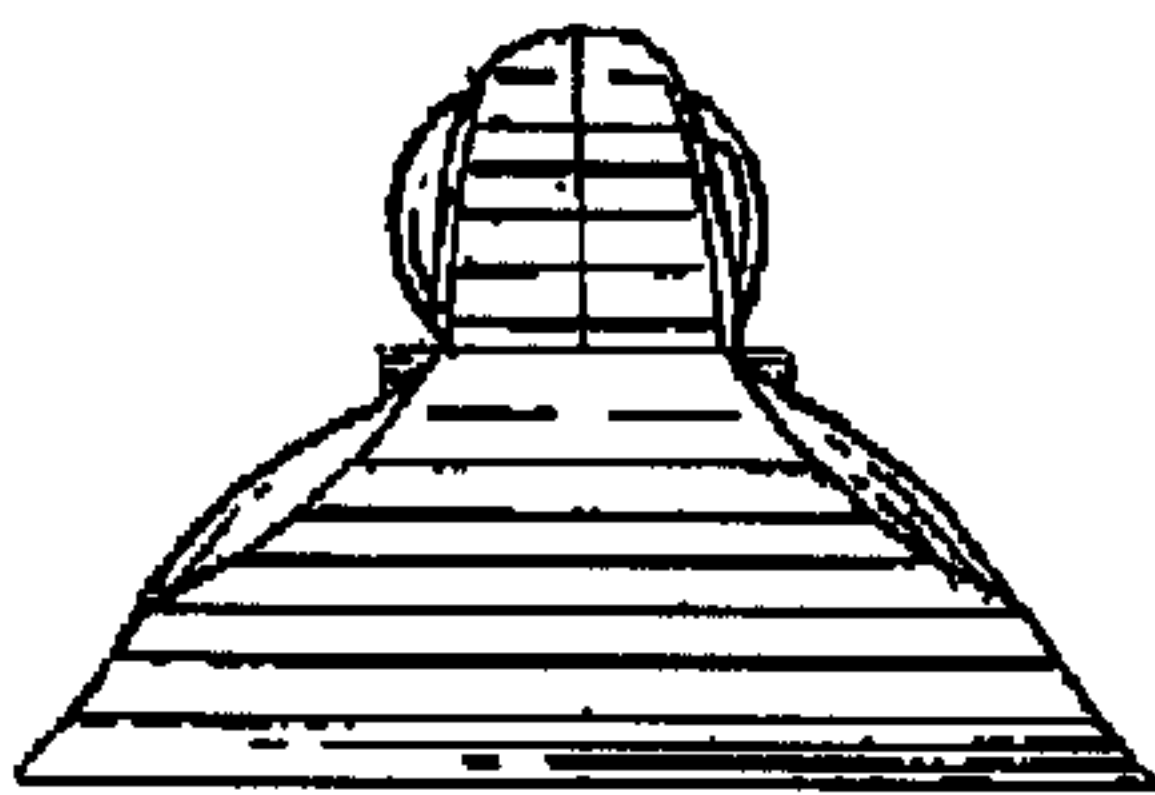
*Fig. 1.*



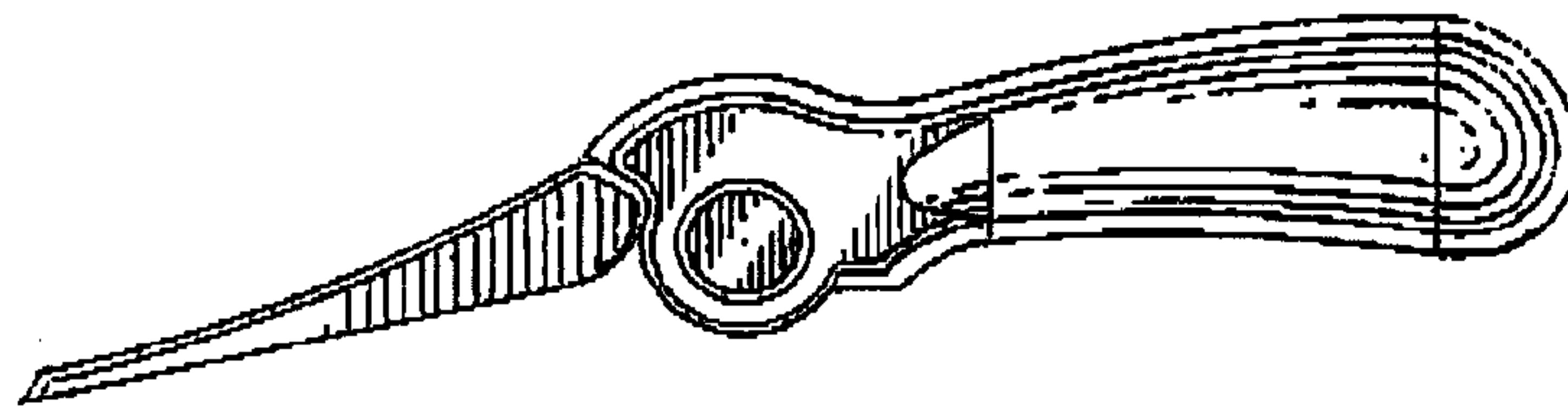
*Fig. 3.*



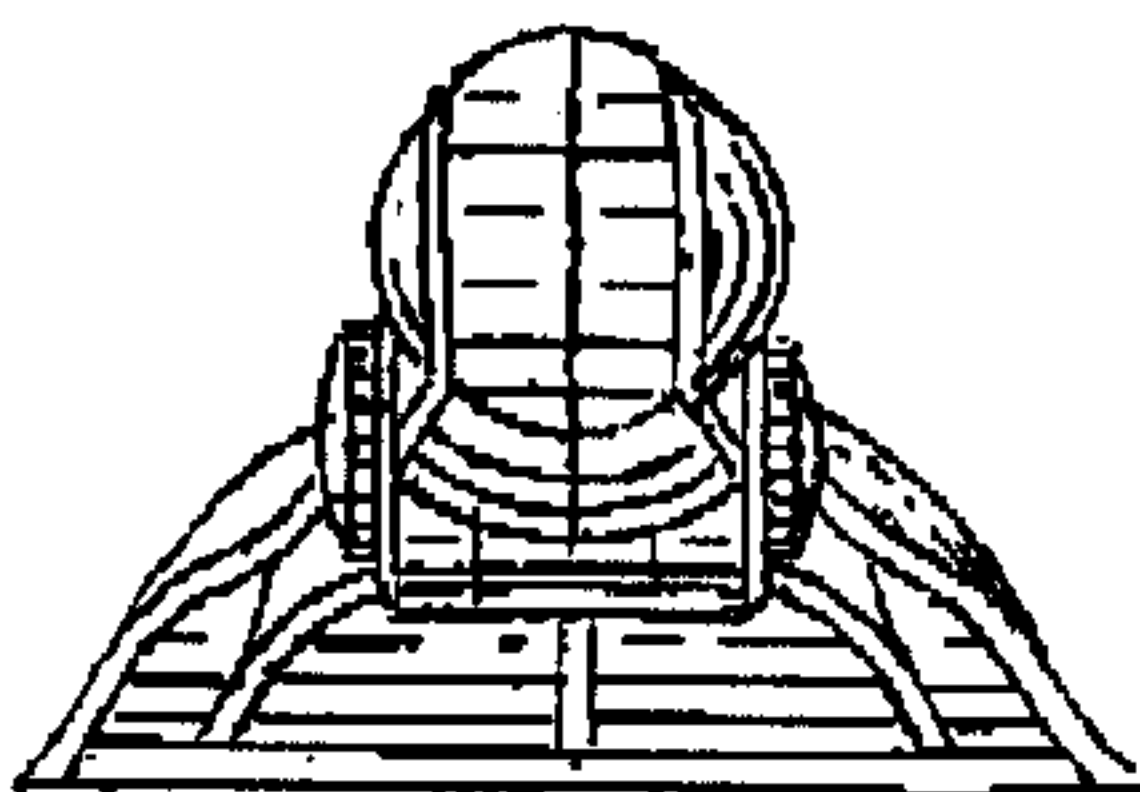
*Fig. 4.*



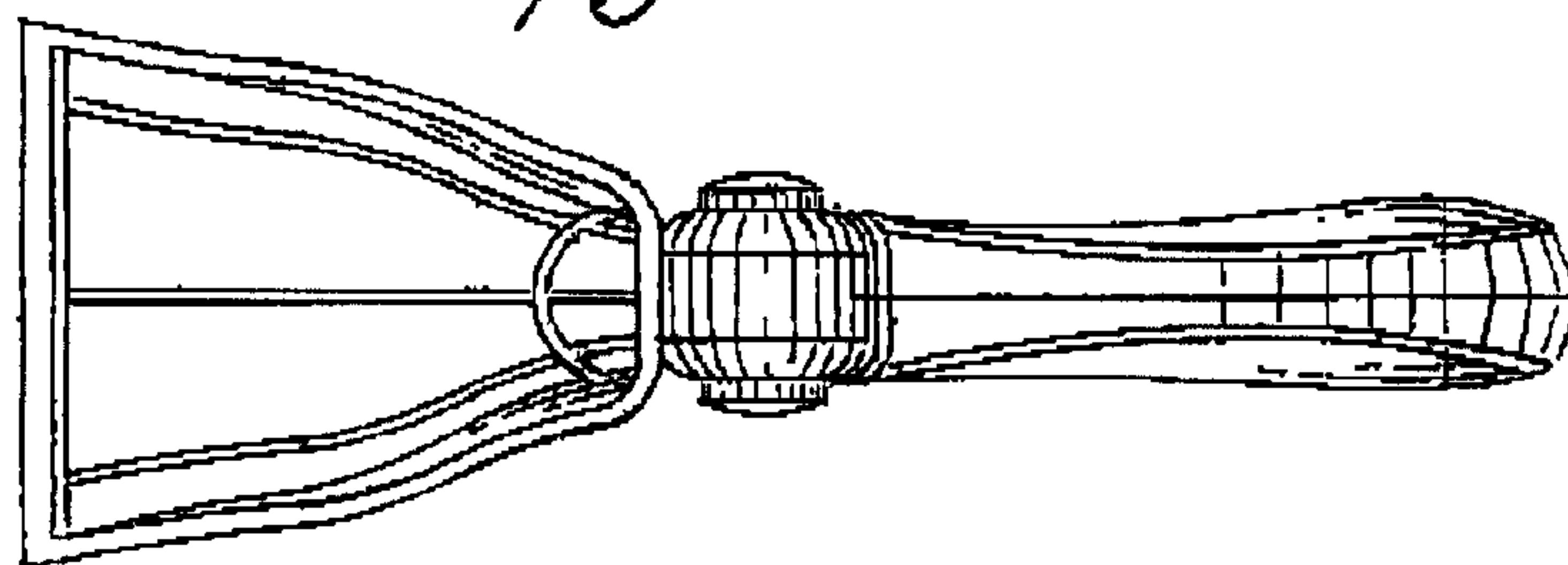
*Fig. 2.*



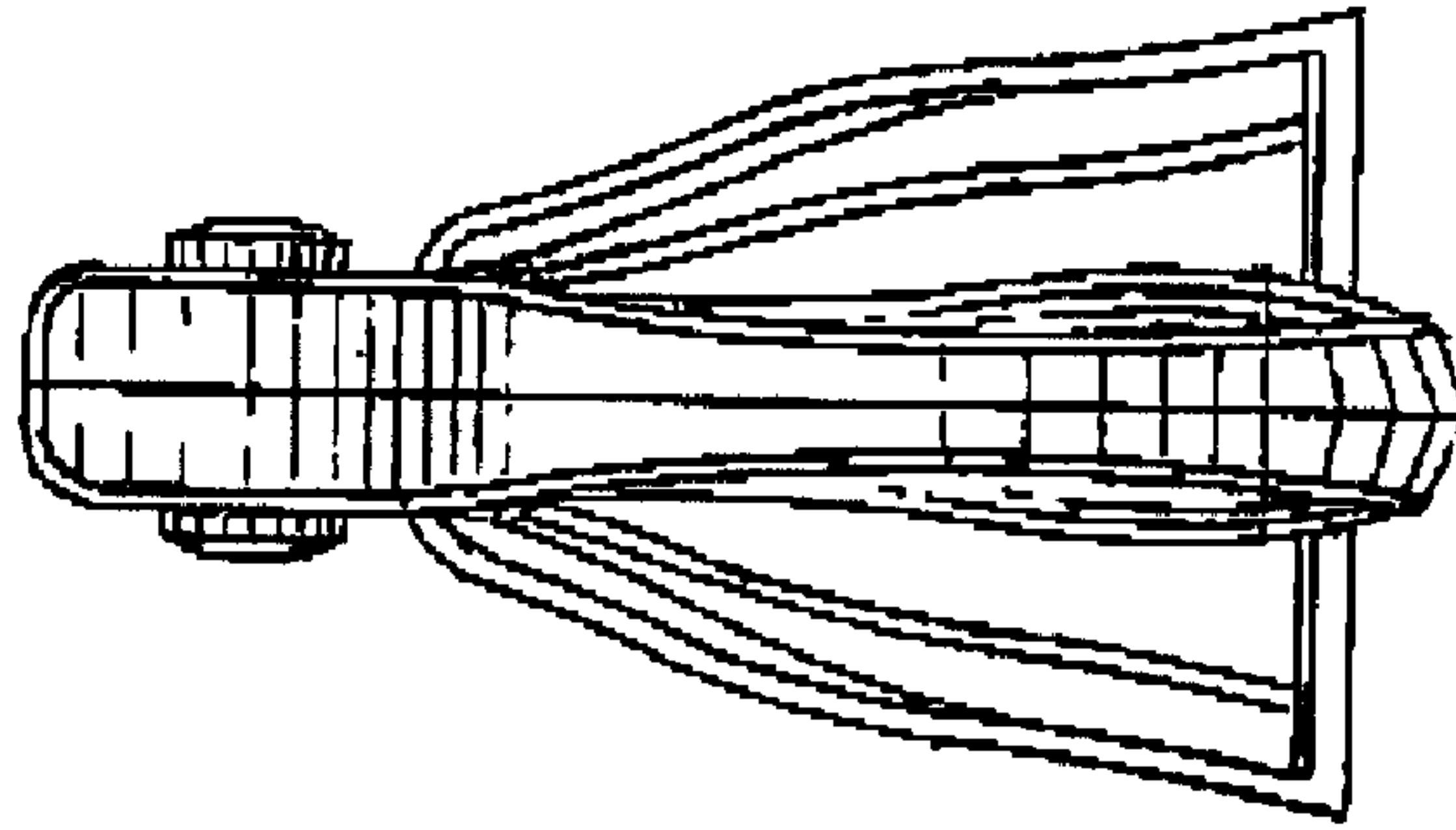
*Fig. 5.*



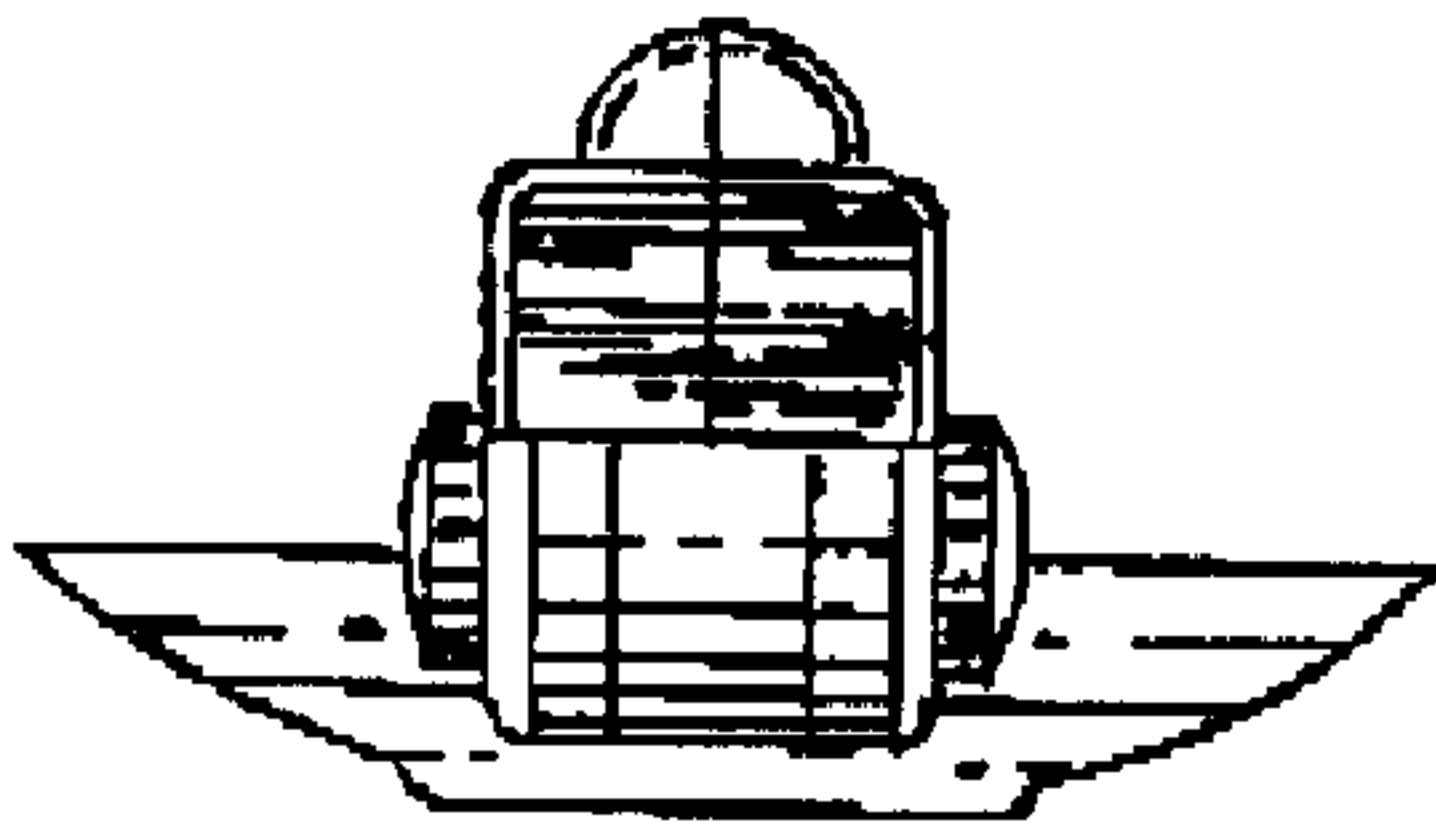
*Fig. 6.*



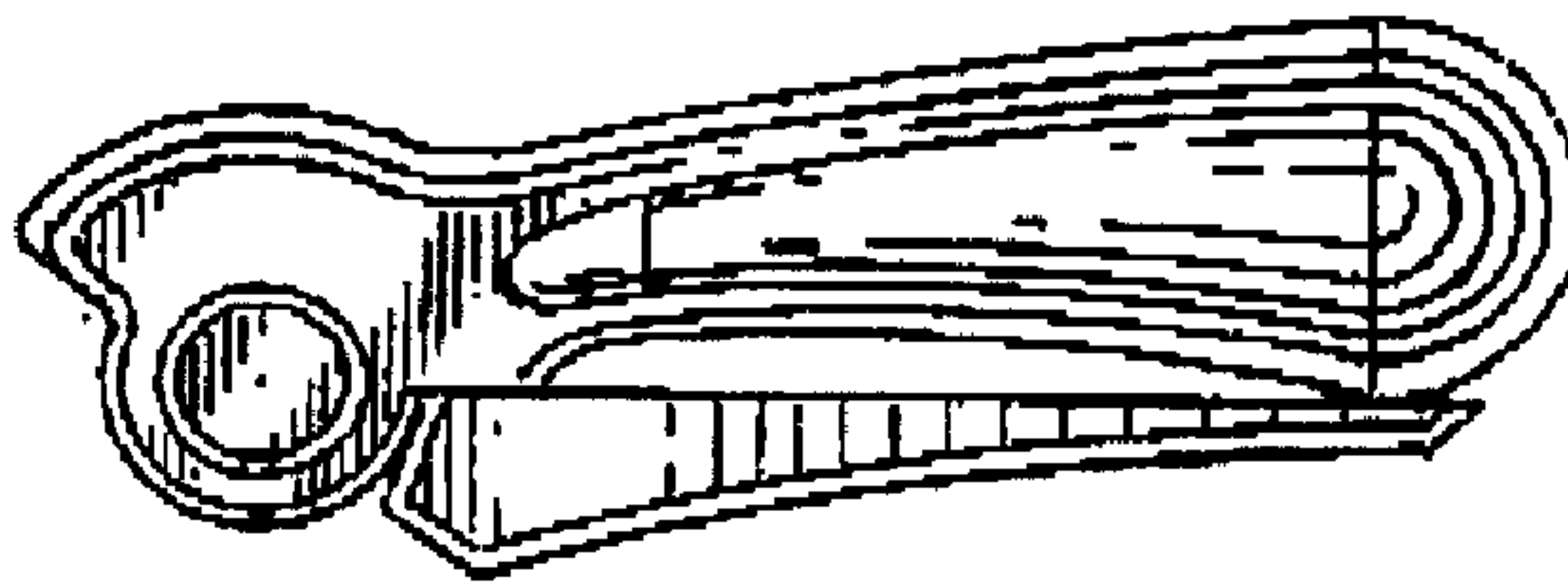
*Fig. 8.*



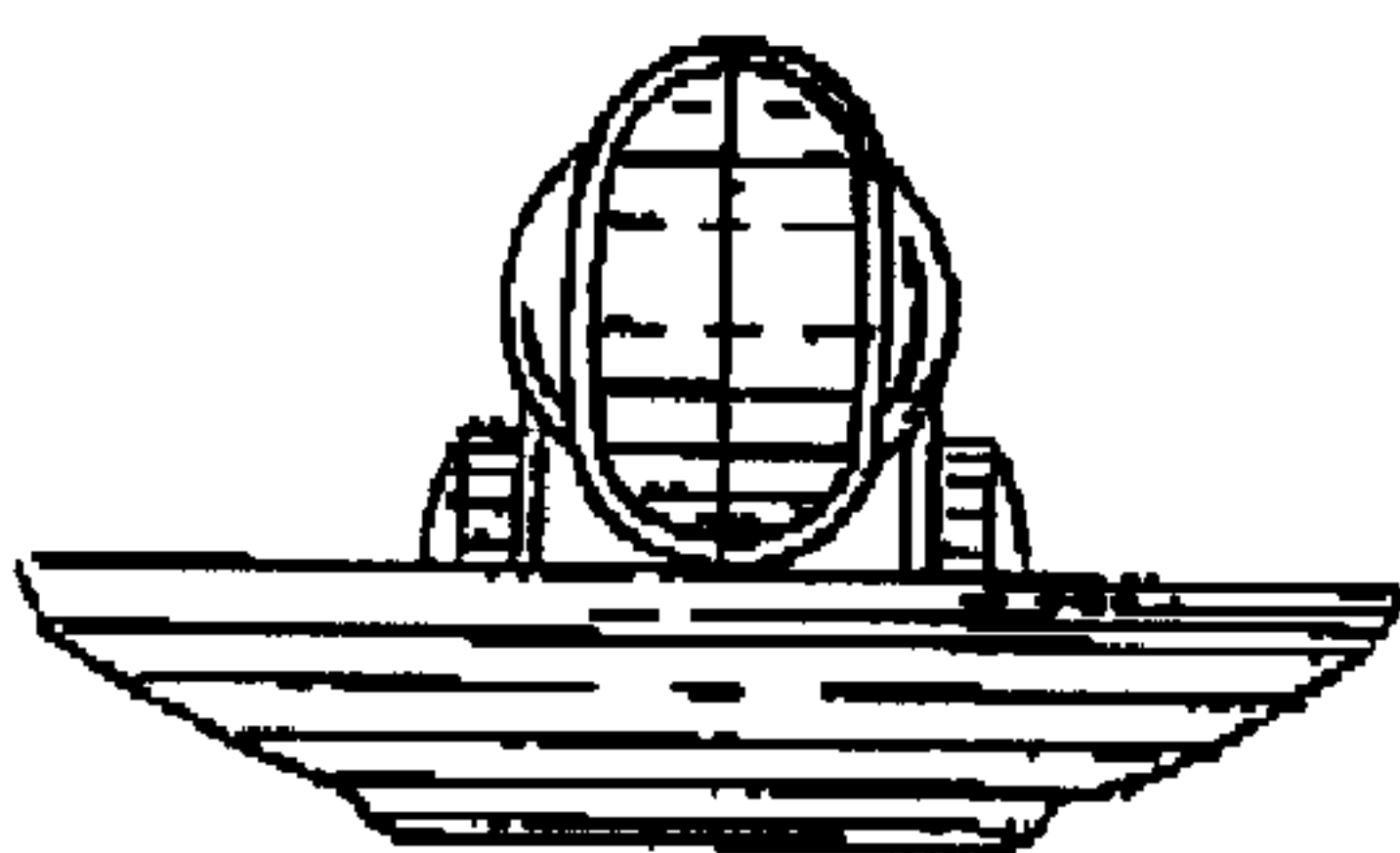
*Fig. 9.*



*Fig. 7.*



*Fig. 10.*



*Fig. 11.*

