

US00D547512S

(12) **United States Design Patent** (10) **Patent No.:** **US D547,512 S**
Hay (45) **Date of Patent:** **** Jul. 24, 2007**

(54) **CLEANING IMPLEMENT**

(75) Inventor: **Christopher James Mccaughan Hay,**
Hong Kong (CN)

(73) Assignee: **Hayco Manufacturing Limited,**
Causeway Bay (HK)

(**) Term: **14 Years**

(21) Appl. No.: **29/207,429**

(22) Filed: **Jun. 15, 2004**

(51) **LOC (8) Cl.** **04-01**

(52) **U.S. Cl.** **D32/42**

(58) **Field of Classification Search** D32/40,
D32/41, 42, 52; 15/105, 118, 121, 236.01,
15/245, DIG. 9

See application file for complete search history.

(56) **References Cited**

U.S. PATENT DOCUMENTS

834,667	A *	10/1906	Flynn	15/121
2,741,788	A *	4/1956	Shey	401/25
2,741,789	A *	4/1956	Ray	401/139
2,745,126	A *	5/1956	Mora	15/121
3,110,052	A *	11/1963	Whitman	15/117
3,721,502	A *	3/1973	Ognibene	401/13
3,724,017	A *	4/1973	Mallory	15/121
5,371,914	A *	12/1994	Mallory et al.	15/121
5,966,770	A *	10/1999	Byrne et al.	15/105
6,681,439	B1 *	1/2004	Kohlruss et al.	15/245
7,003,844	B1 *	2/2006	Mosby-Pinkney	15/104.002
2006/0288506	A1 *	12/2006	Kim	15/105

* cited by examiner

Primary Examiner—Alan P. Douglas

Assistant Examiner—Barbara Fox

(74) *Attorney, Agent, or Firm*—Buchanan Ingersoll & Rooney PC

(57) **CLAIM**

The ornamental design for “cleaning implement,” as shown and described.

DESCRIPTION

FIG. 1 is a perspective view showing a first embodiment of a “cleaning implement” incorporating the design;

FIG. 2 is a top view thereof;

FIG. 3 is a bottom view thereof;

FIG. 4 is a side view thereof;

FIG. 5 is another side view thereof;

FIG. 6 is a front view thereof;

FIG. 7 is a rear view thereof;

FIG. 8 is a perspective view showing a second embodiment of a “cleaning implement” incorporating the design;

FIG. 9 is a top view of the cleaning implement shown in FIG. 8;

FIG. 10 is a bottom view of the cleaning implement shown in FIG. 8;

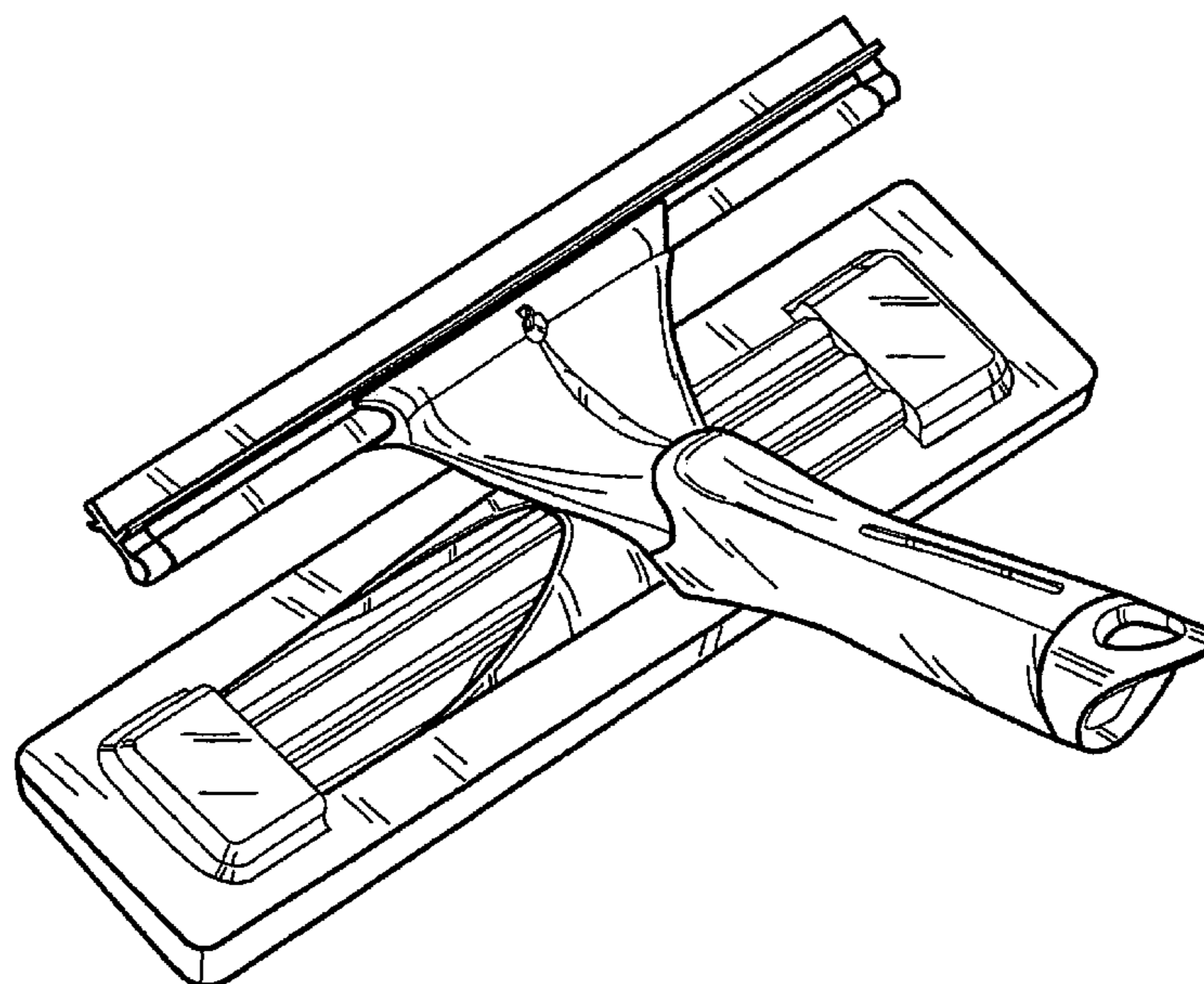
FIG. 11 is a side view of the cleaning implement shown in FIG. 8;

FIG. 12 is another side view of the cleaning implement shown in FIG. 8;

FIG. 13 is a front view of the cleaning implement shown in FIG. 8; and,

FIG. 14 is a rear view of the cleaning implement shown in FIG. 8.

1 Claim, 14 Drawing Sheets



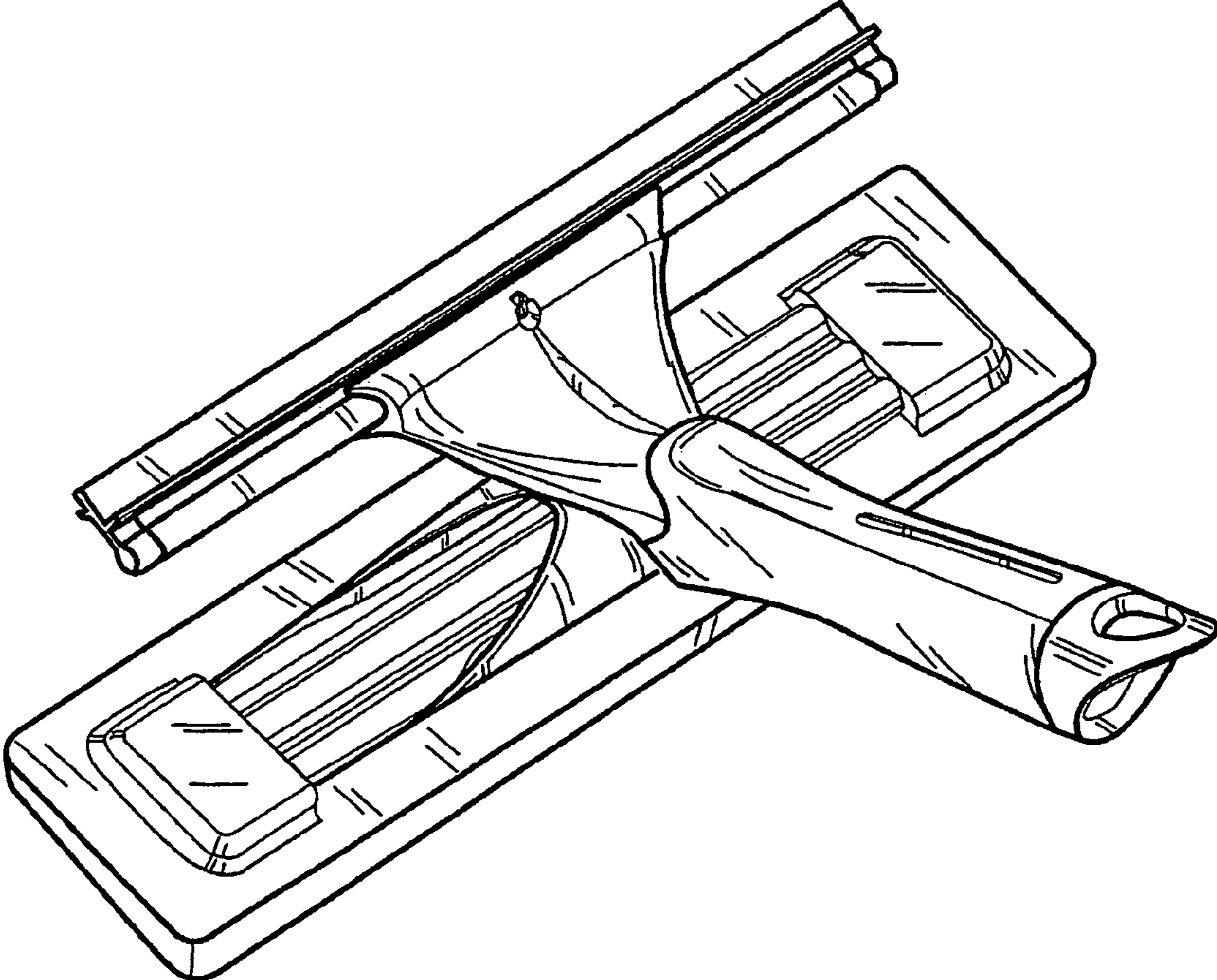


FIG. 1

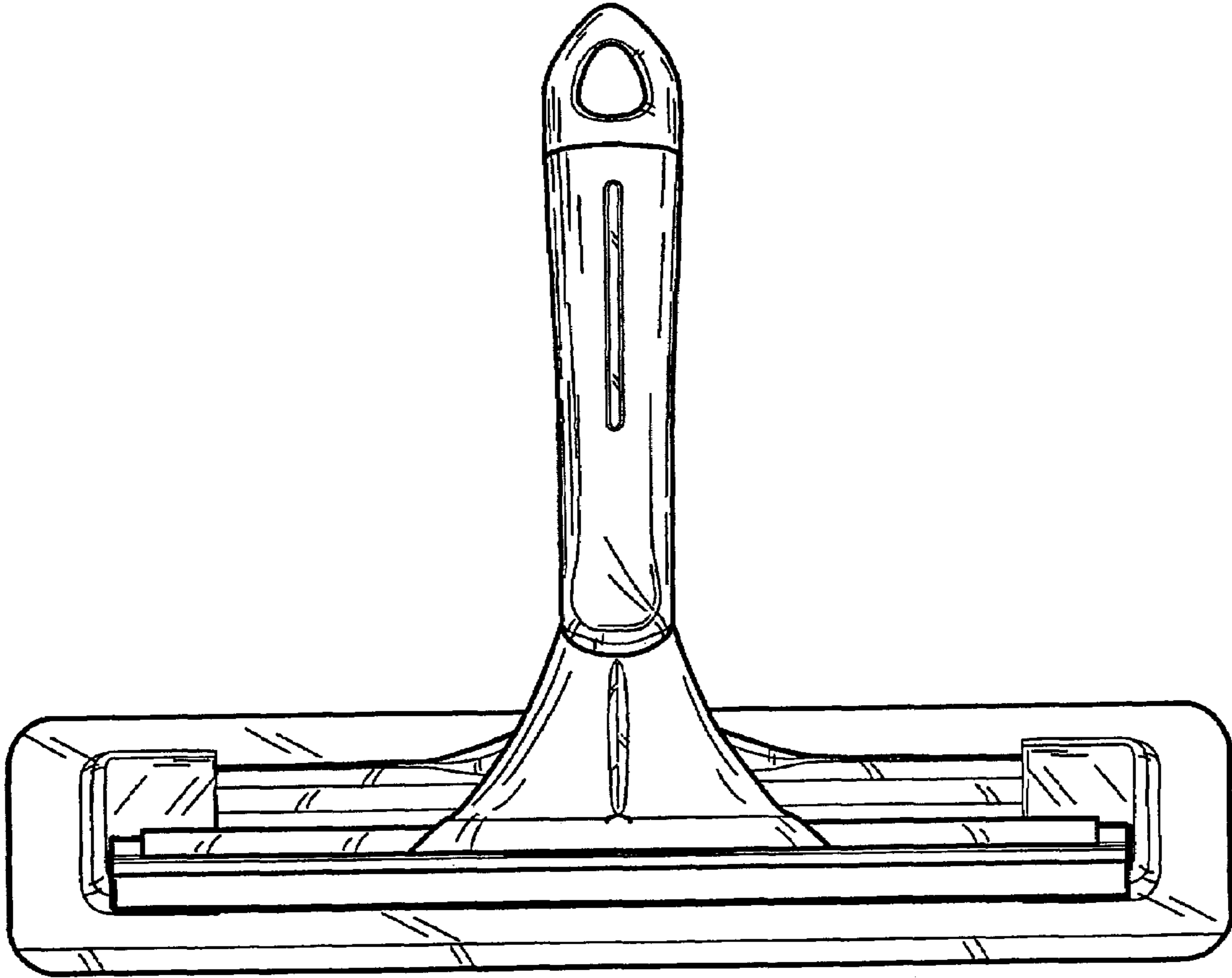


FIG. 2

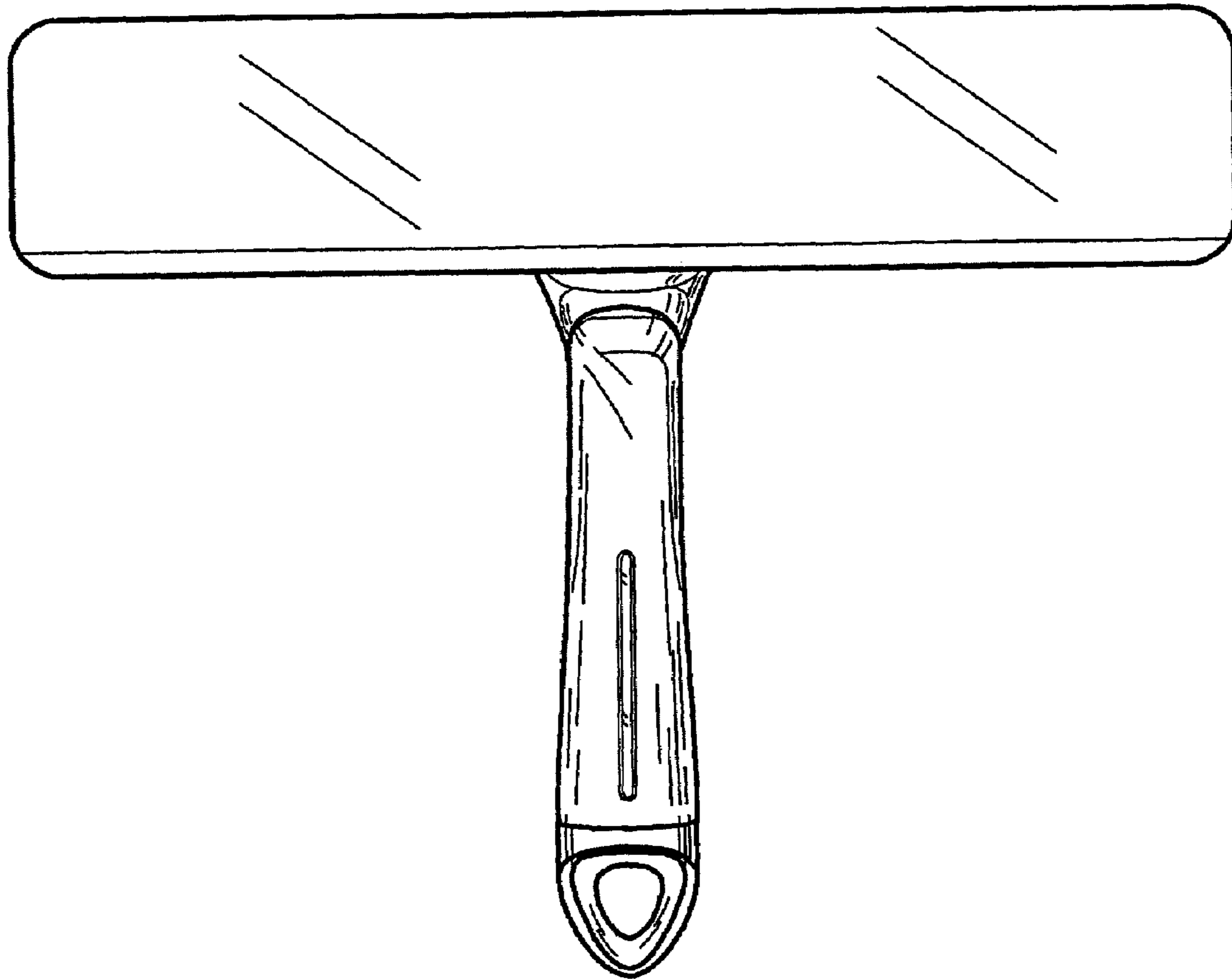


FIG. 3

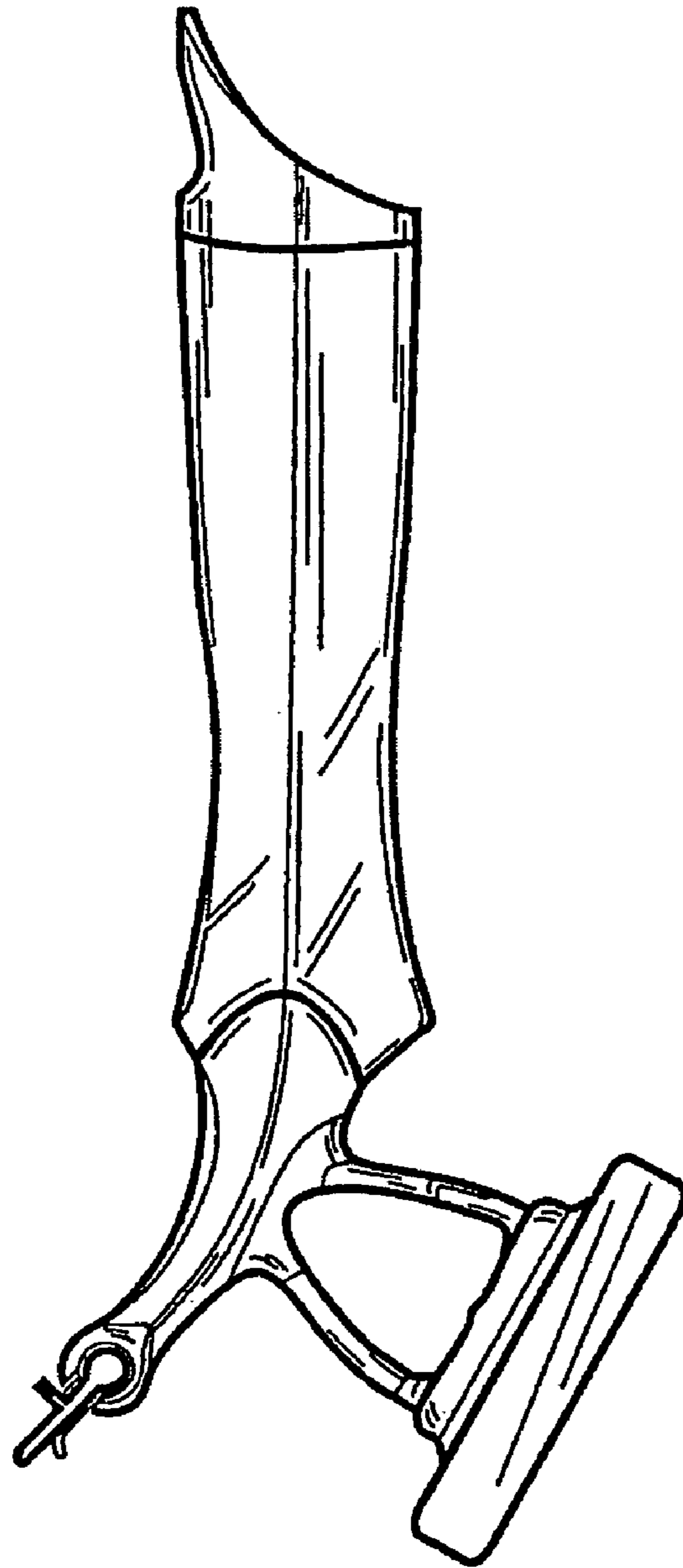


FIG. 4

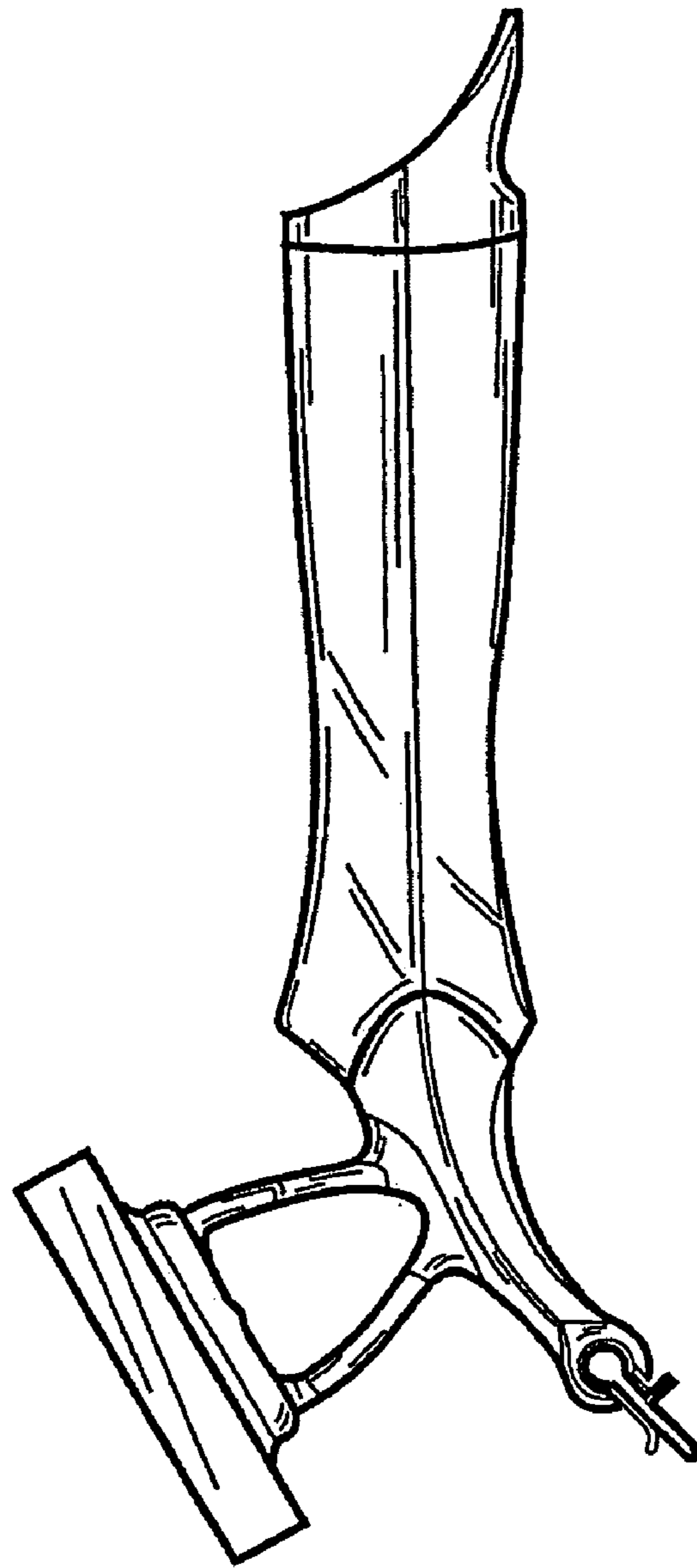


FIG. 5

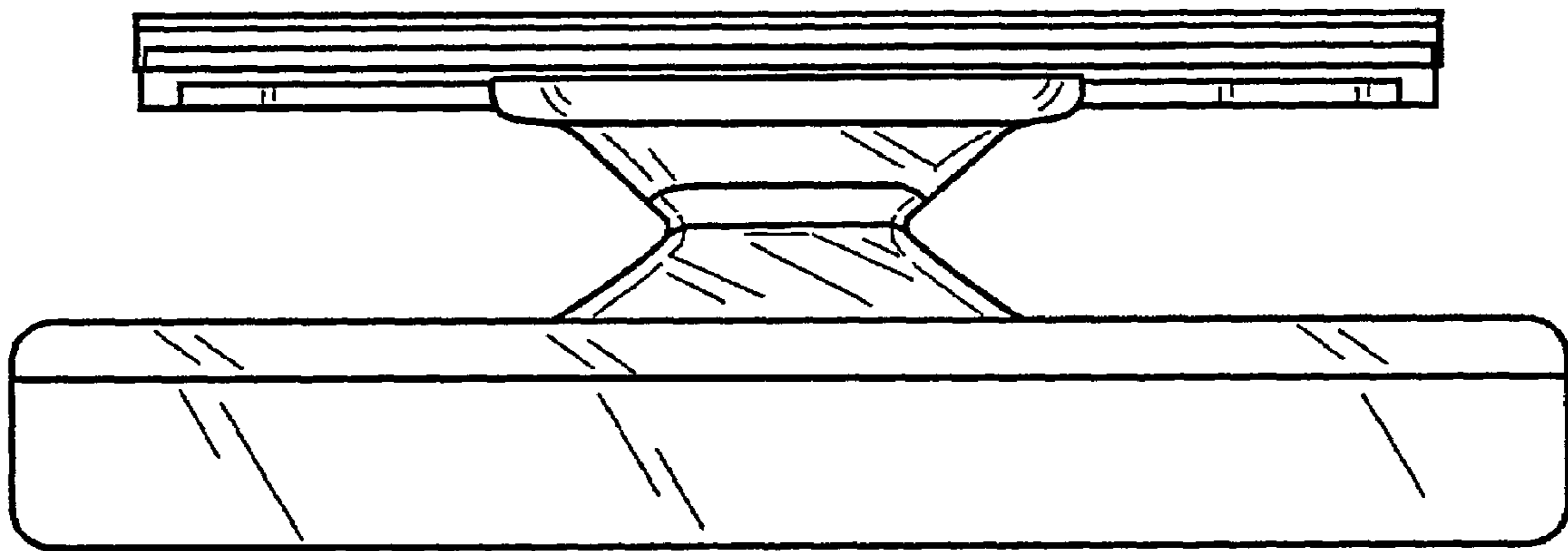


FIG. 6

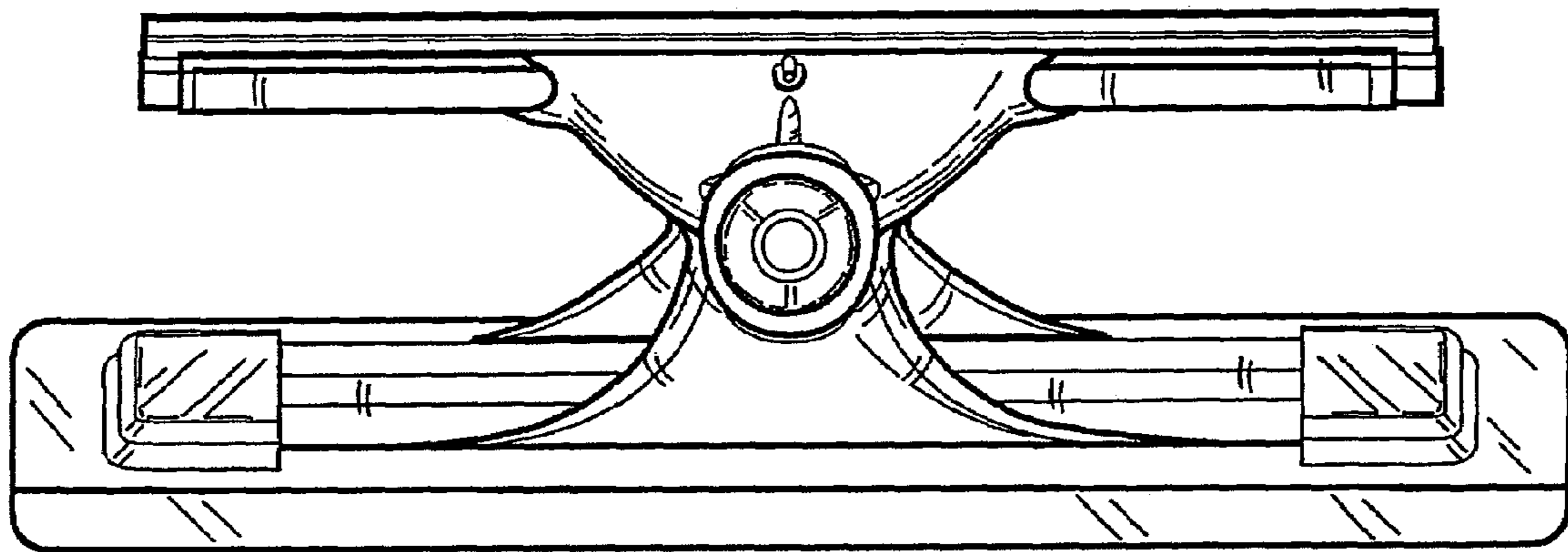


FIG. 7

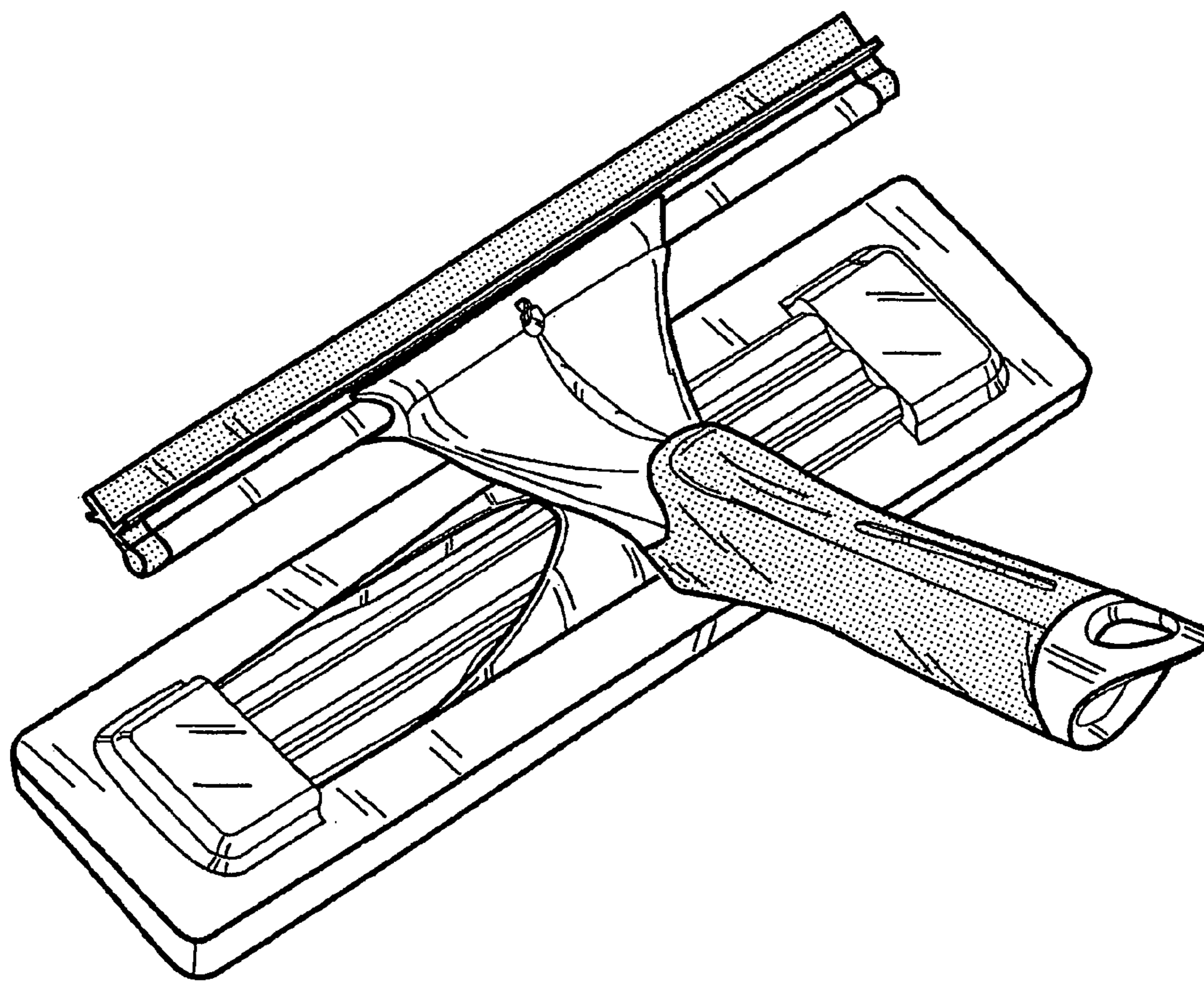


FIG. 8

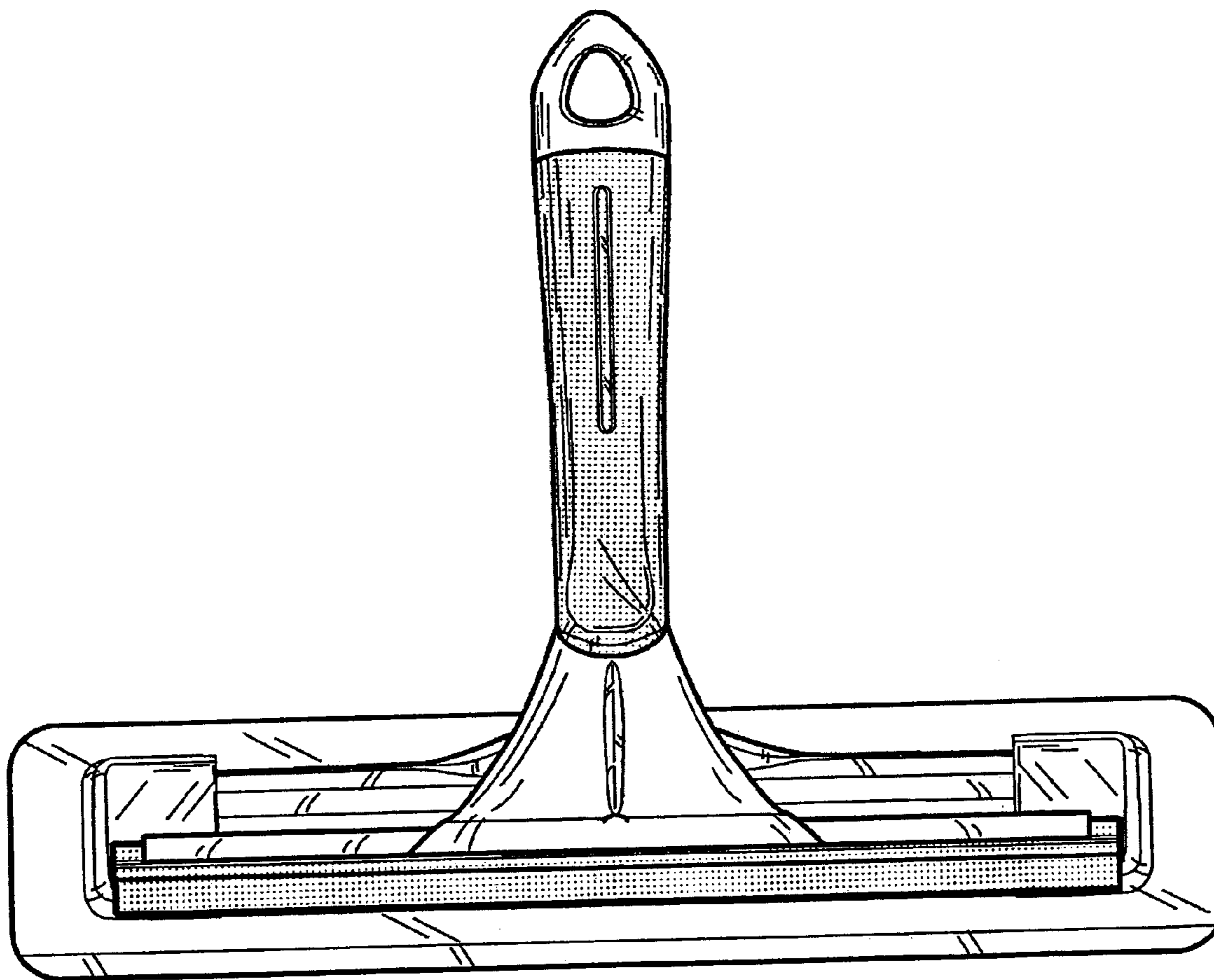


FIG. 9

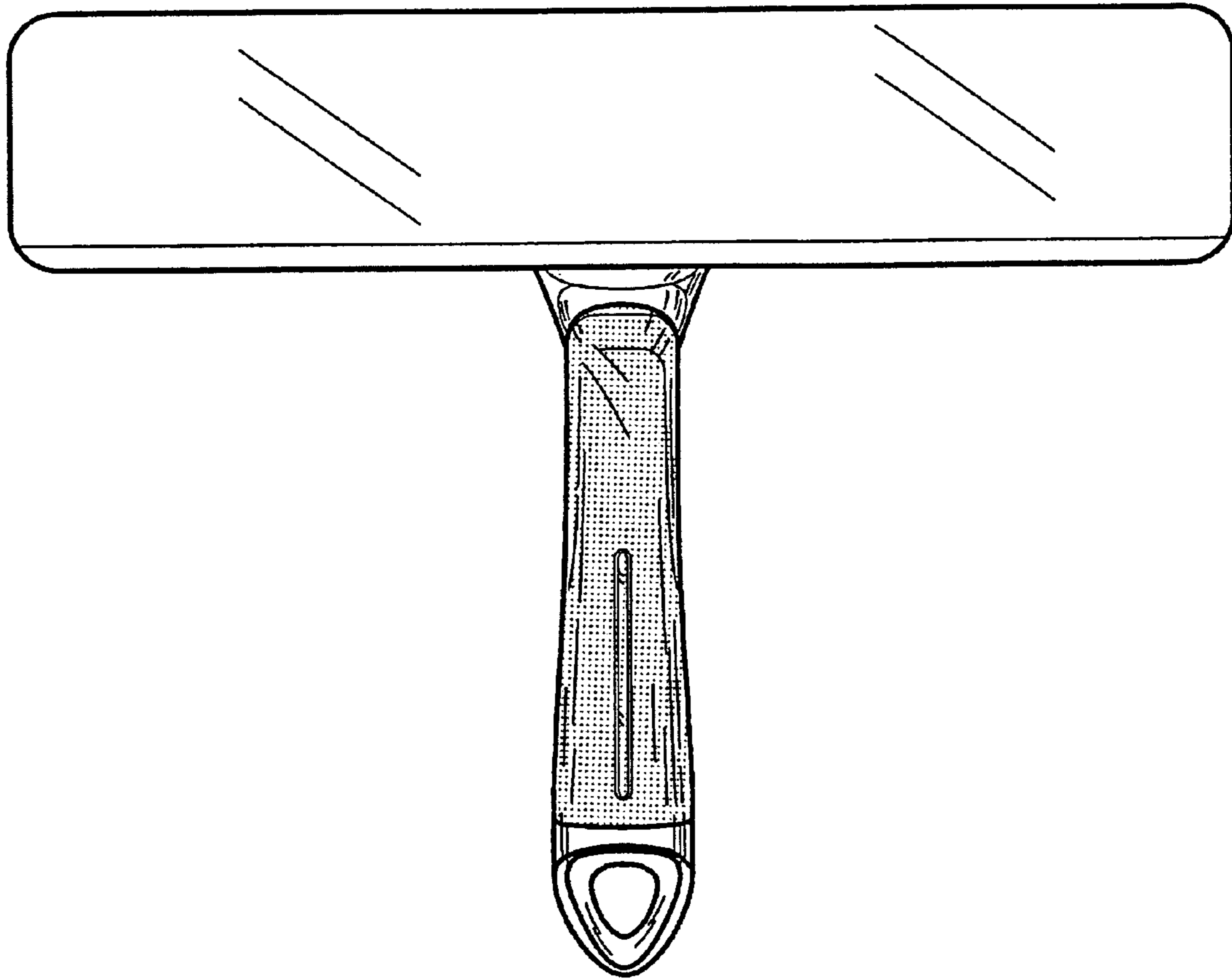


FIG. 10

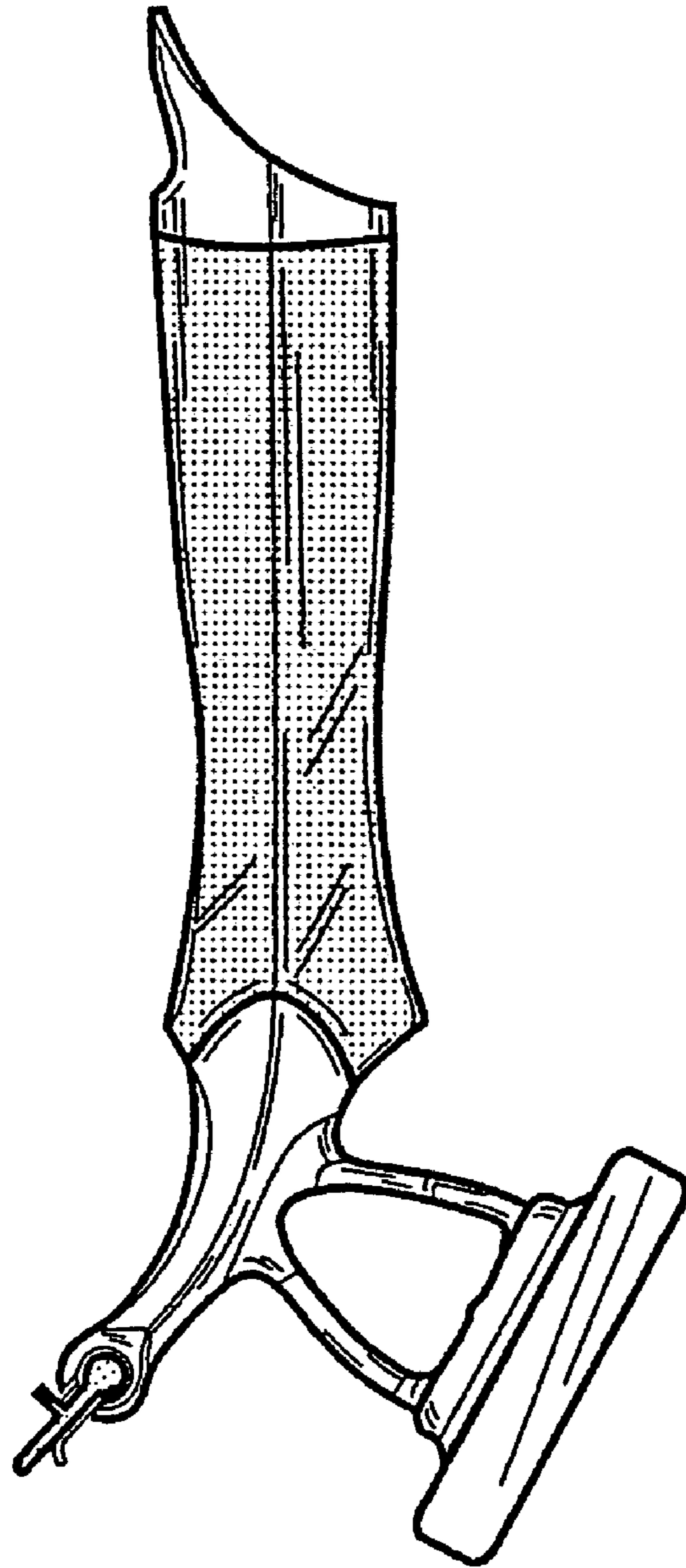


FIG. 11

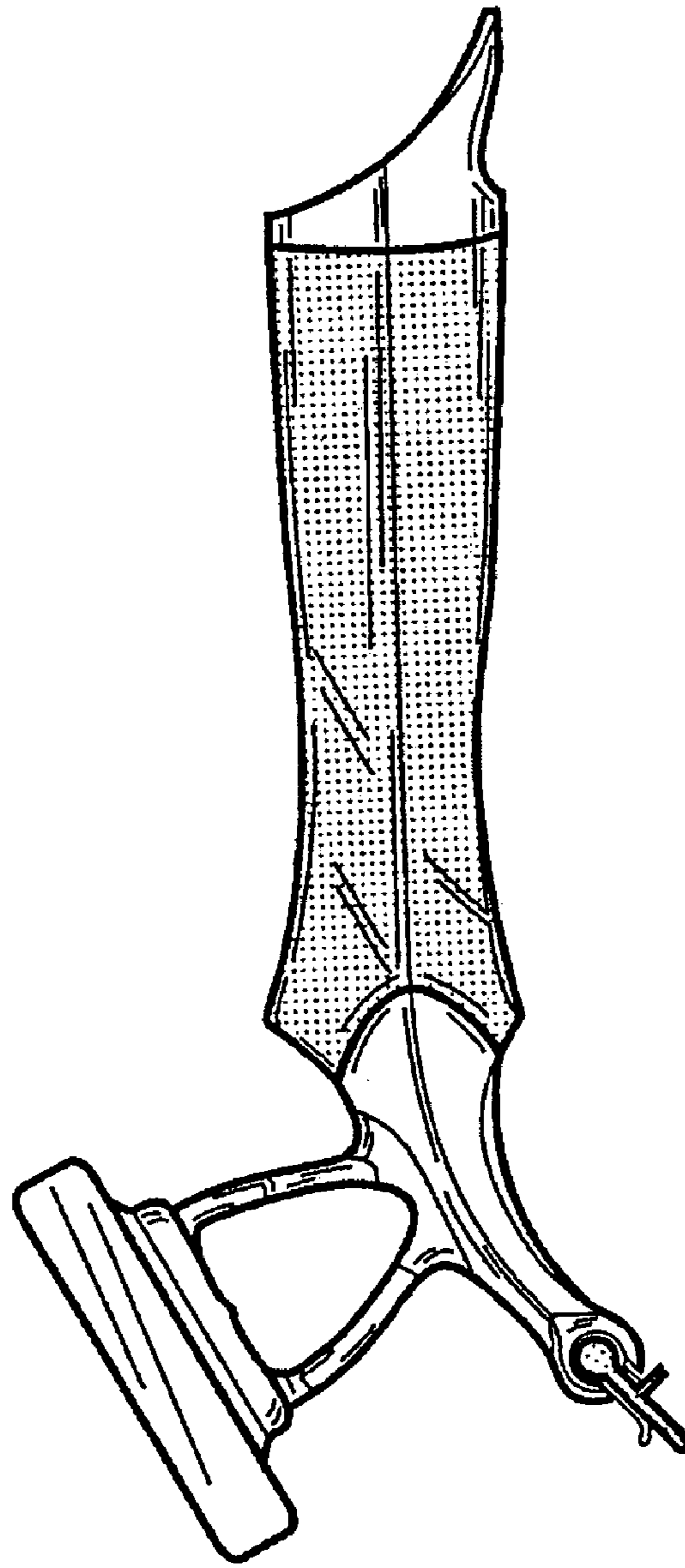


FIG. 12

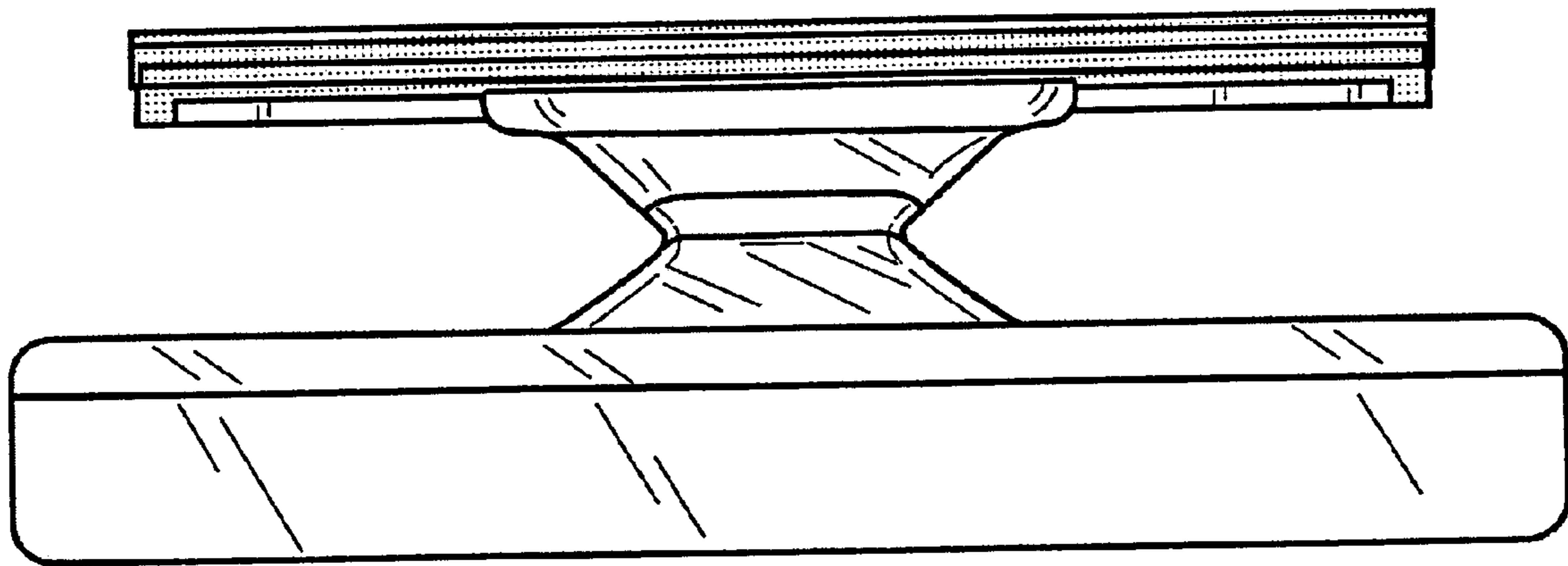


FIG. 13

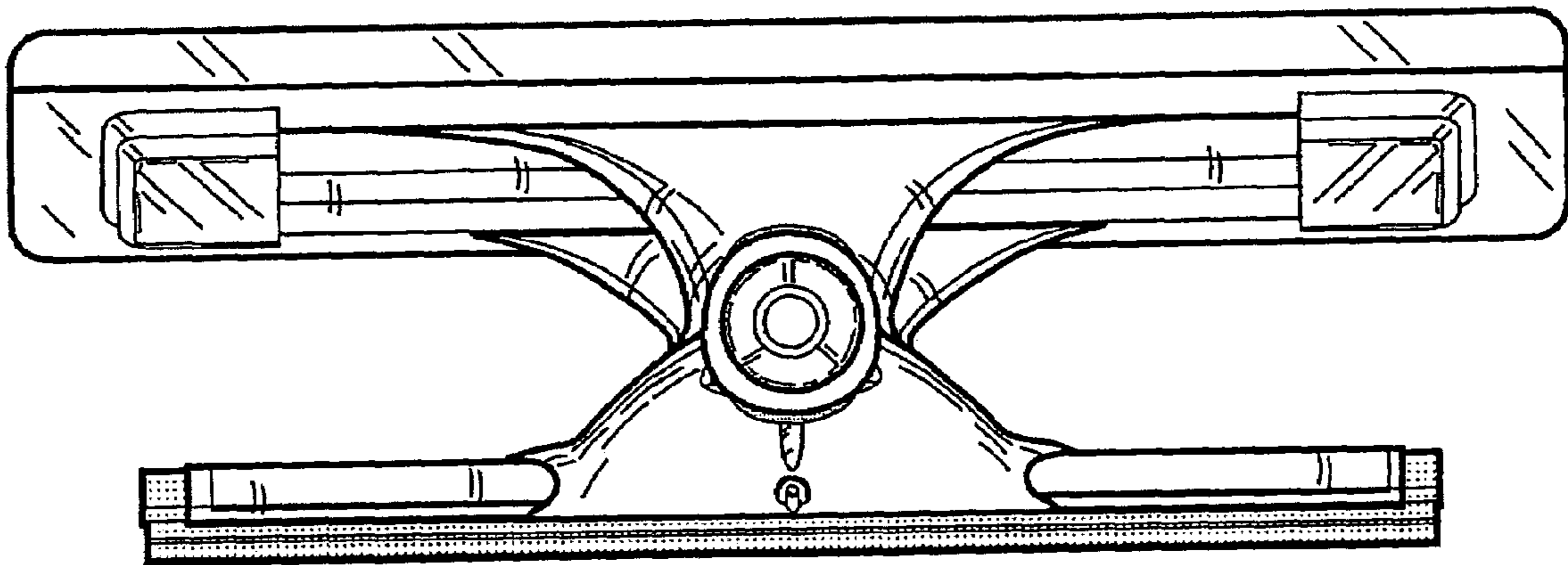


FIG. 14