



US00D547509S

(12) **United States Design Patent**
Lin et al.

(10) **Patent No.:** **US D547,509 S**
(45) **Date of Patent:** **** Jul. 24, 2007**

(54) **MAGNETIC SWEEPER**

(75) Inventors: **Pei-Ying Lin**, Taichung Hsien (TW);
Chanwa Nguy, Cornelius, NC (US)

(73) Assignee: **Steelworks Hardware, LLC**,
Northbrook, IL (US)

(**) Term: **14 Years**

(21) Appl. No.: **29/249,154**

(22) Filed: **Sep. 25, 2006**

(51) **LOC (8) Cl.** **15-05**

(52) **U.S. Cl.** **D32/38**

(58) **Field of Classification Search** D32/21-22,
D32/30-34, 38-39; 15/41.1, 42-46, 48,
15/48.1, 79.1, 49.1, 50.3, 415; 16/DIG. 41
See application file for complete search history.

(56) **References Cited**

U.S. PATENT DOCUMENTS

4,106,151	A *	8/1978	Cowdery et al.	15/42
D287,173	S *	12/1986	Libman	D32/51
D313,295	S *	12/1990	Maertens	D32/42
D434,911	S *	12/2000	Lynch et al.	D4/137
D461,028	S *	7/2002	Ng	D32/40
D501,589	S *	2/2005	Carr et al.	D32/38

* cited by examiner

Primary Examiner—Pamela J. Burgess

(74) *Attorney, Agent, or Firm*—Levenfeld Pearlstein, LLC

(57) **CLAIM**

The ornamental design for a magnetic sweeper, as shown and described.

DESCRIPTION

FIG. 1 is a perspective view of a magnetic sweeper embodying our new design;

FIG. 2 is a front view of the magnetic sweeper;

FIG. 3 is a rear view of the magnetic sweeper;

FIG. 4 is a right side view of the magnetic sweeper;

FIG. 5 is a left side view of the magnetic sweeper;

FIG. 6 is a top view of the magnetic sweeper;

FIG. 7 is a bottom view of the sweeper;

FIG. 8 is a perspective view of the magnetic sweeper shown in FIG. 1 with the arm in an extended position;

FIG. 9 is a perspective view of an alternate embodiment of the magnetic sweeper.

FIG. 10 is a front view of the magnetic sweeper in the alternate embodiment shown in FIG. 9;

FIG. 11 is a rear view of the magnetic sweeper in the alternate embodiment shown in FIG. 9;

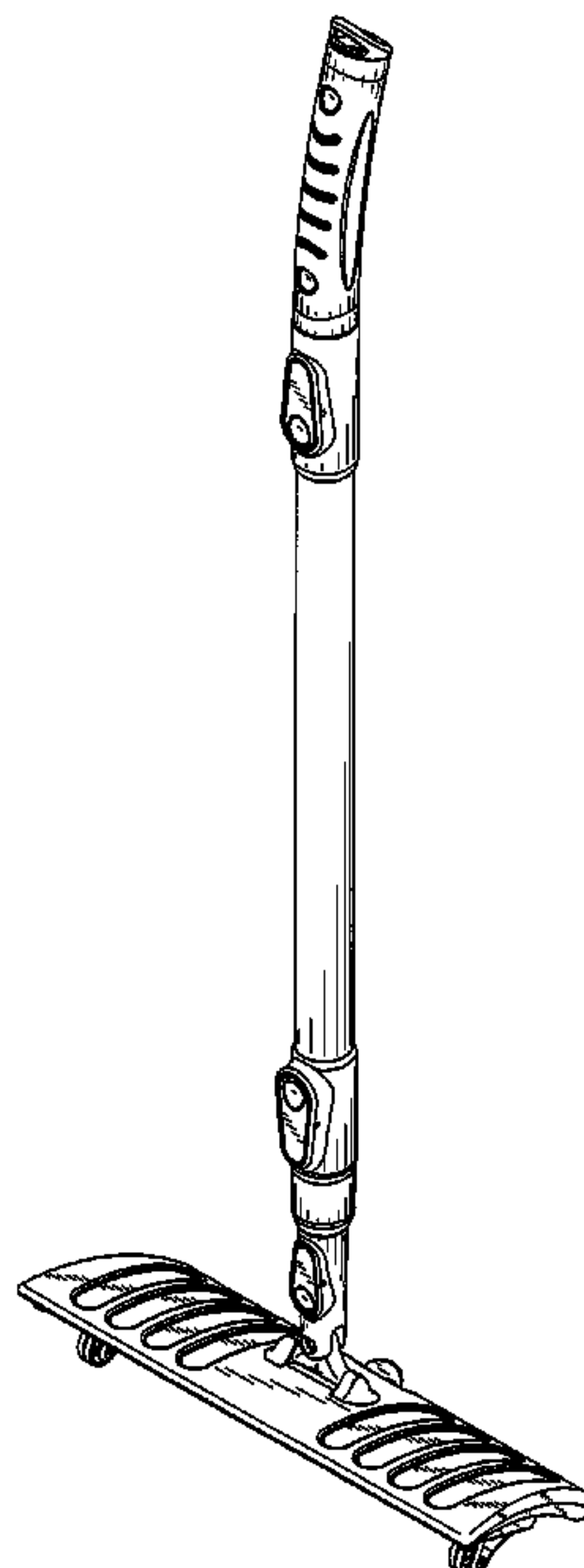
FIG. 12 is a right side view of the magnetic sweeper in the alternate embodiment shown in FIG. 9;

FIG. 13 is a left side view of the magnetic sweeper in the alternate embodiment shown in FIG. 9;

FIG. 14 is a top view of the magnetic sweeper in the alternate embodiment shown in FIG. 9; and,

FIG. 15 is a bottom view of the magnetic sweeper in the alternate embodiment shown in FIG. 9.

1 Claim, 11 Drawing Sheets



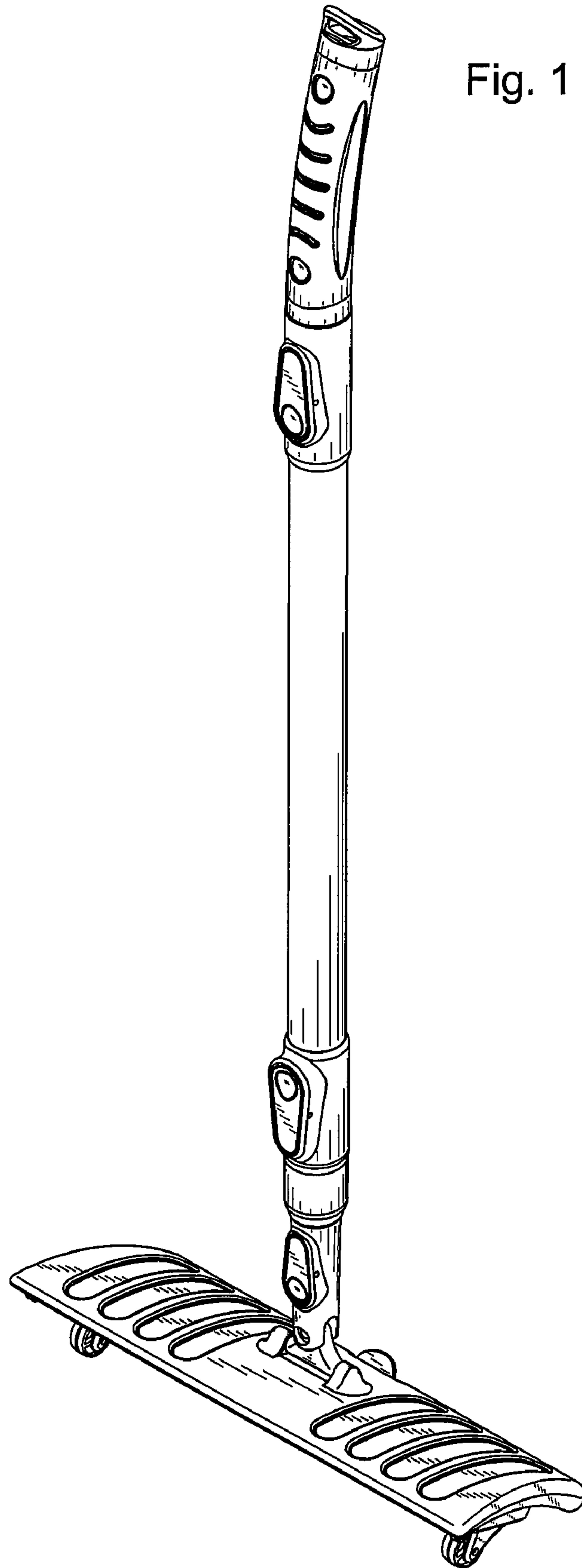


Fig. 1

Fig. 2

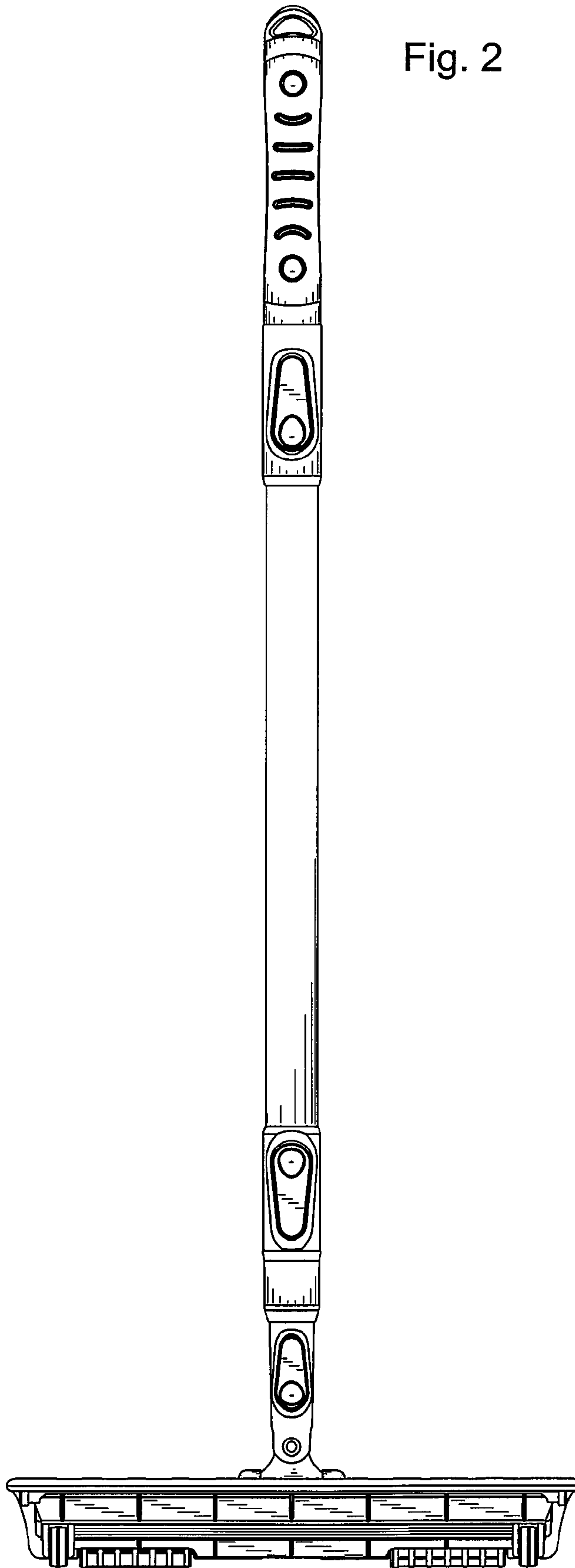
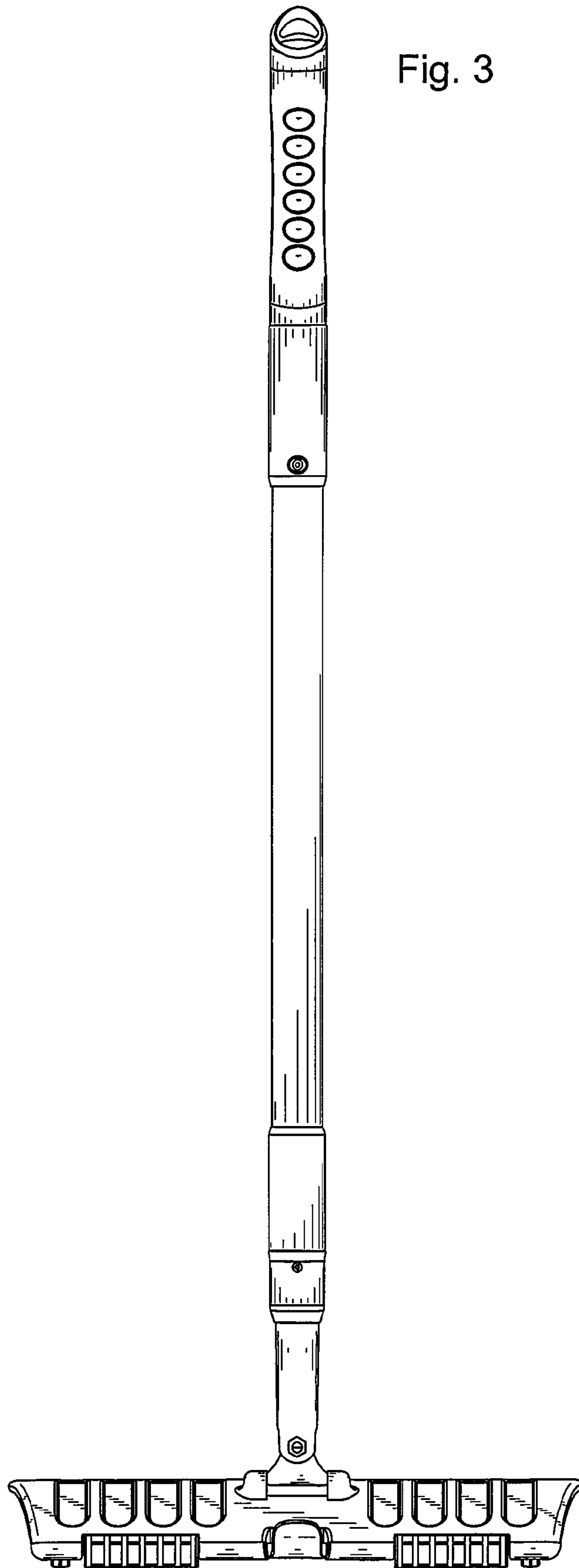


Fig. 3



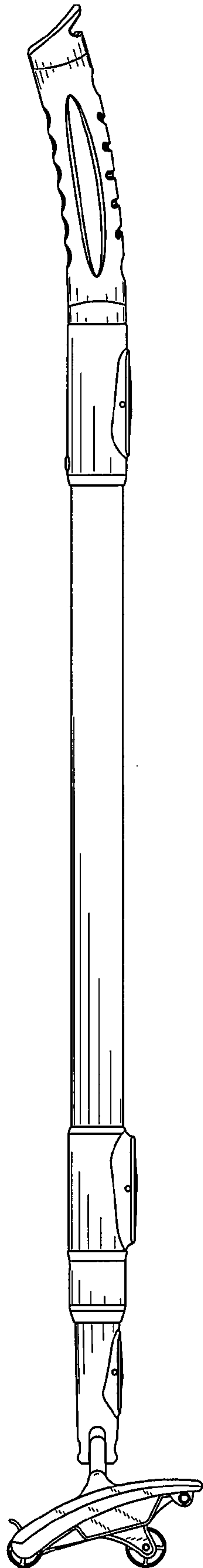


Fig. 4

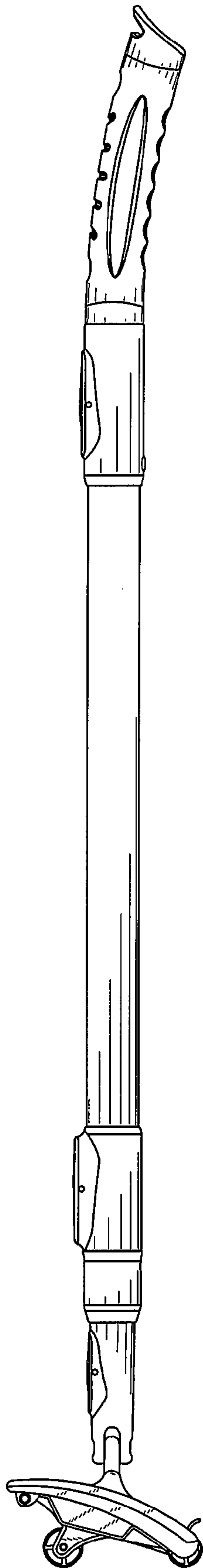


Fig. 5

Fig. 6

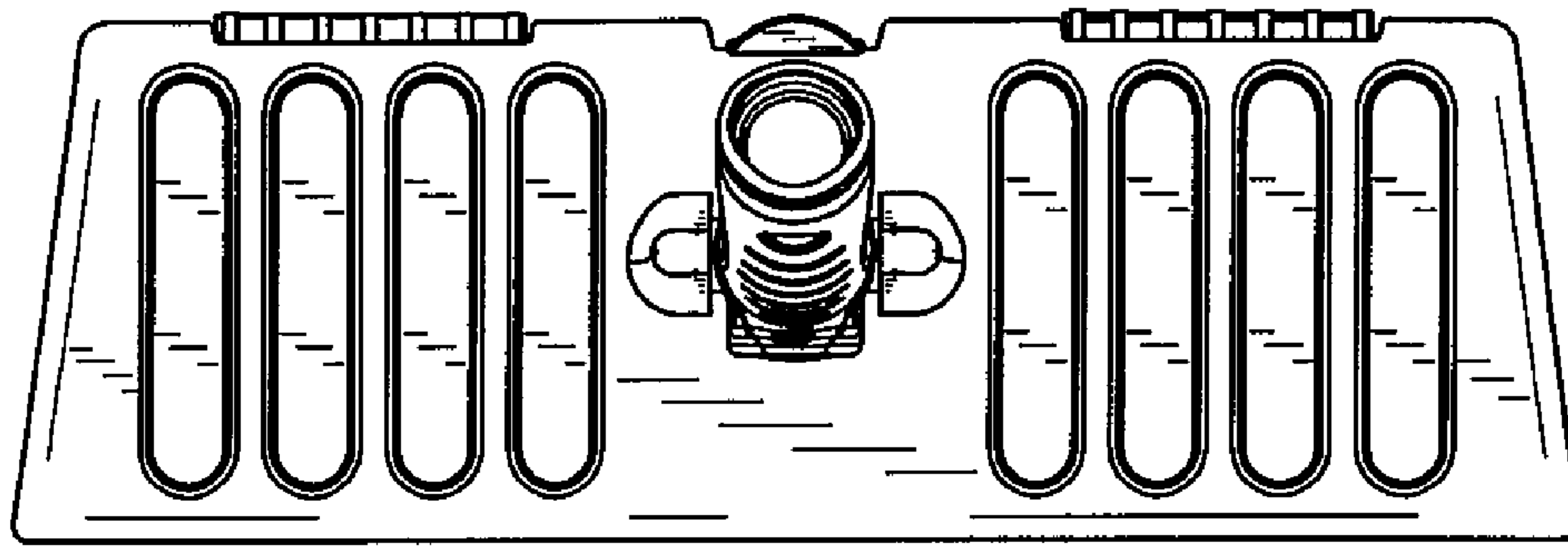
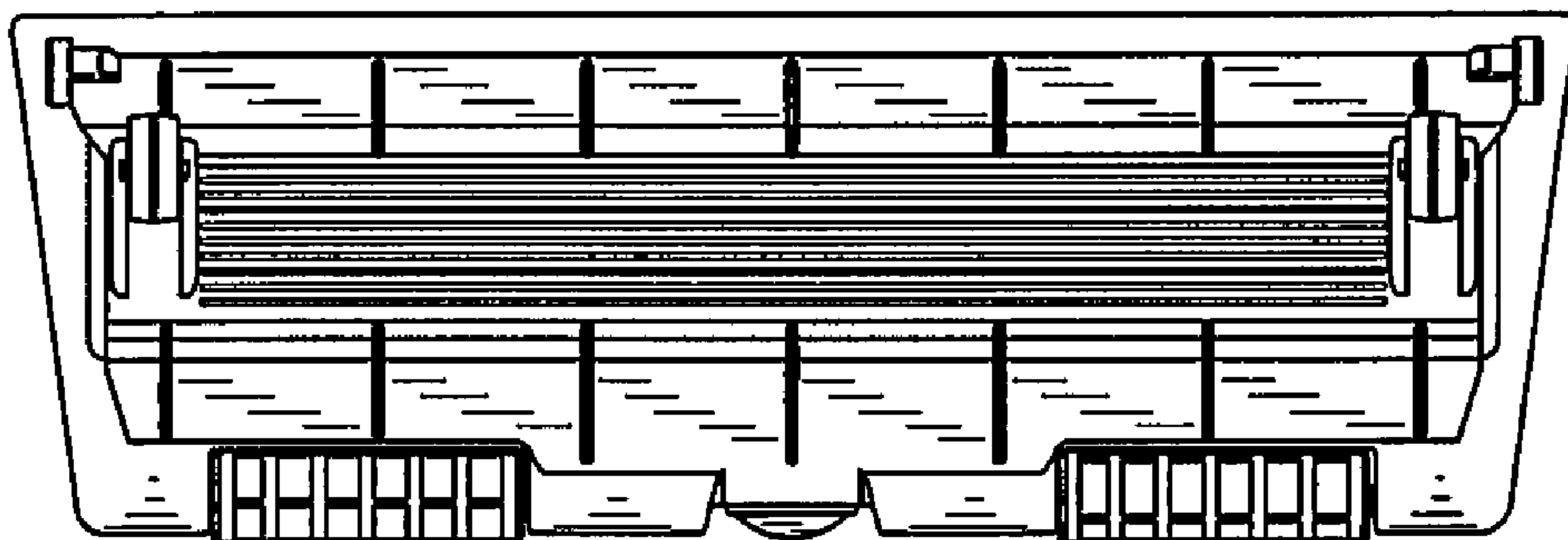


Fig. 7



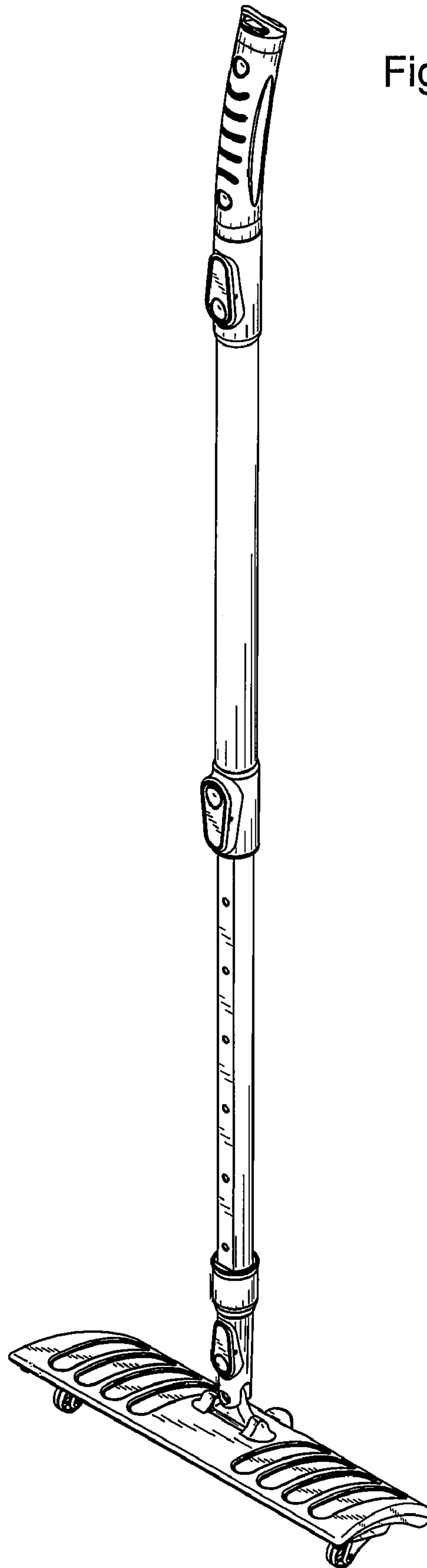
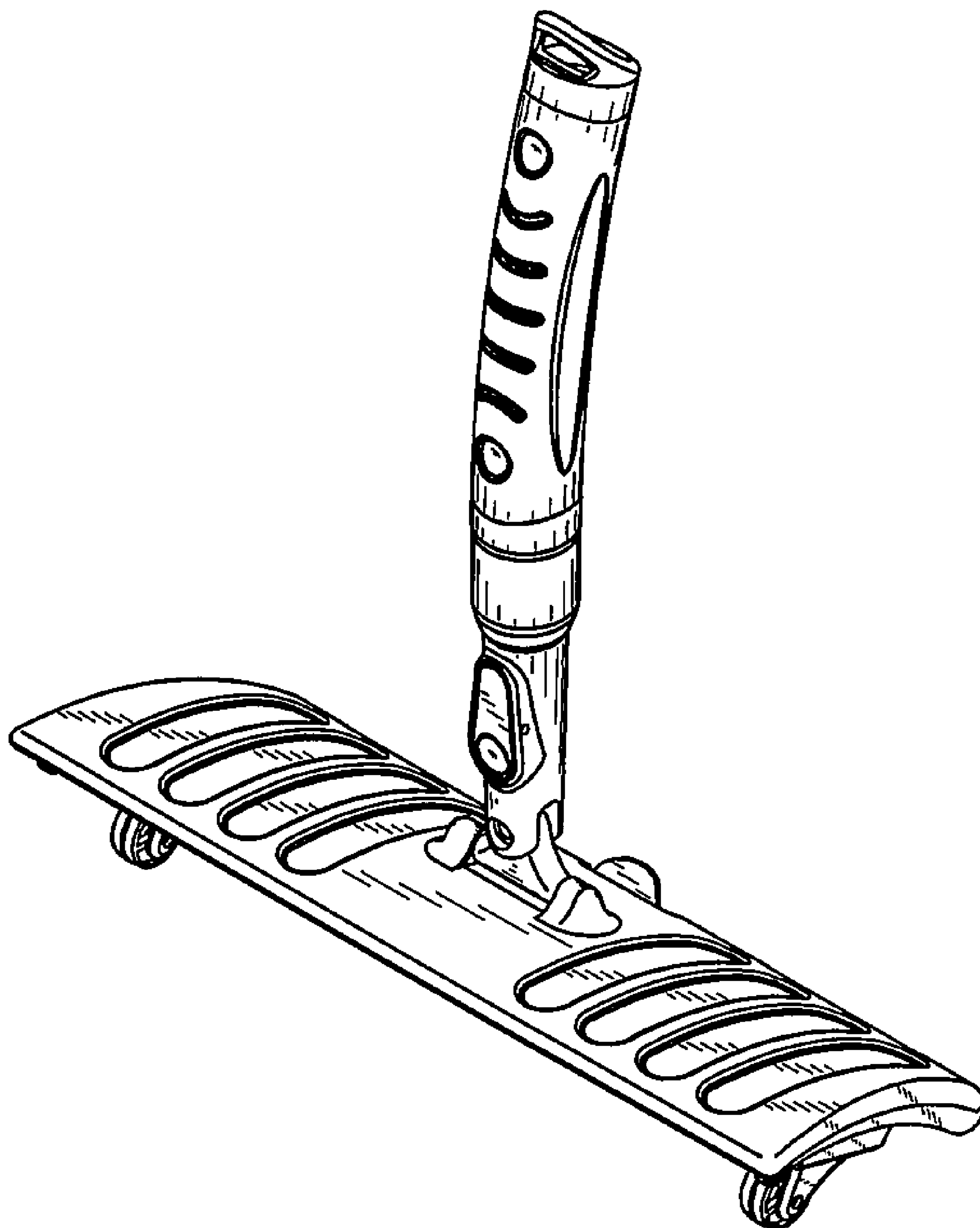
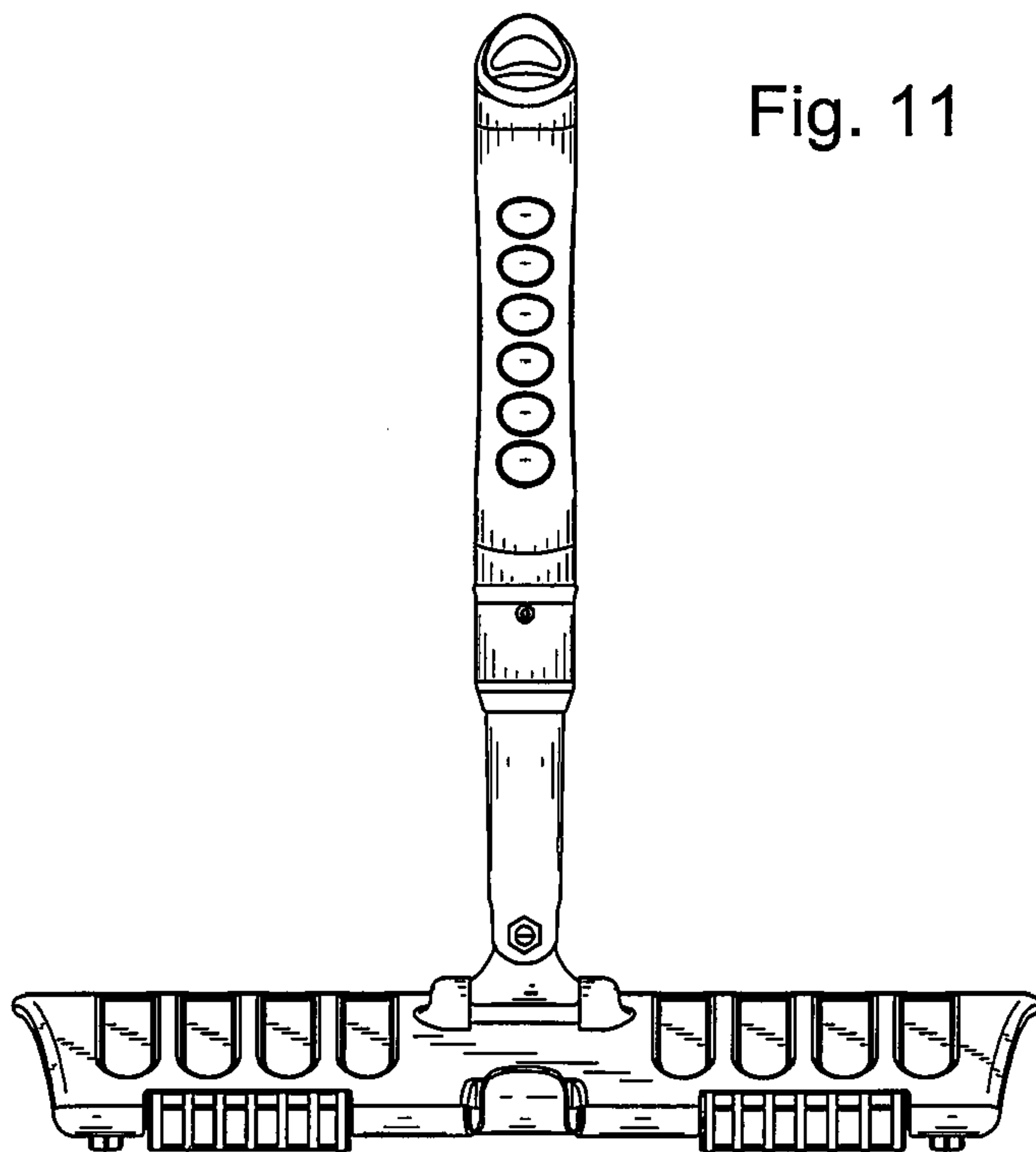
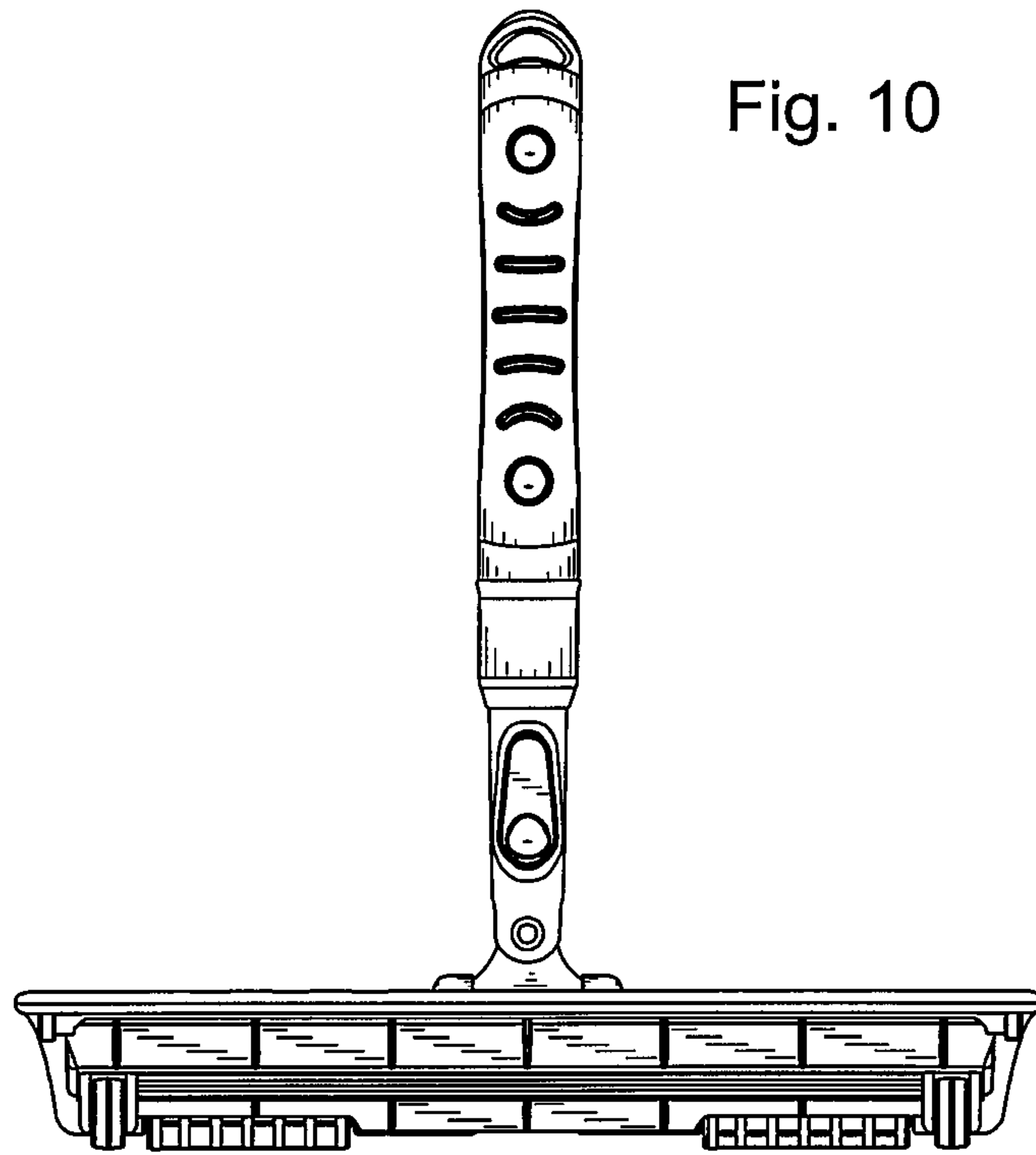


Fig. 8

Fig. 9





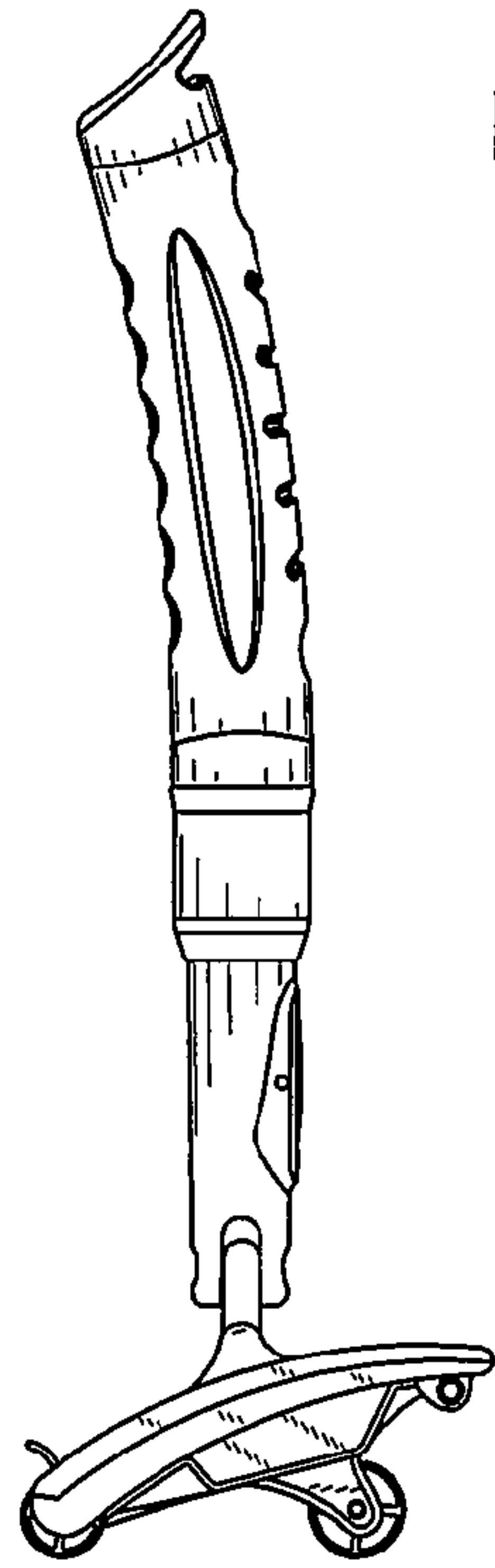


Fig. 12

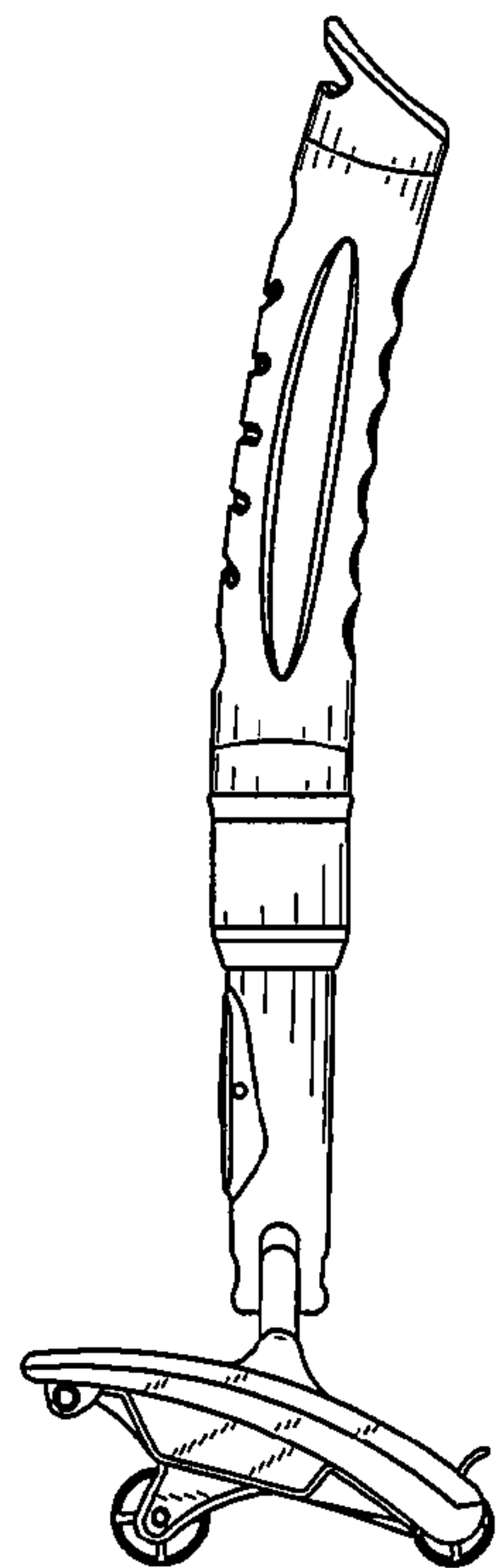


Fig. 13

Fig. 14

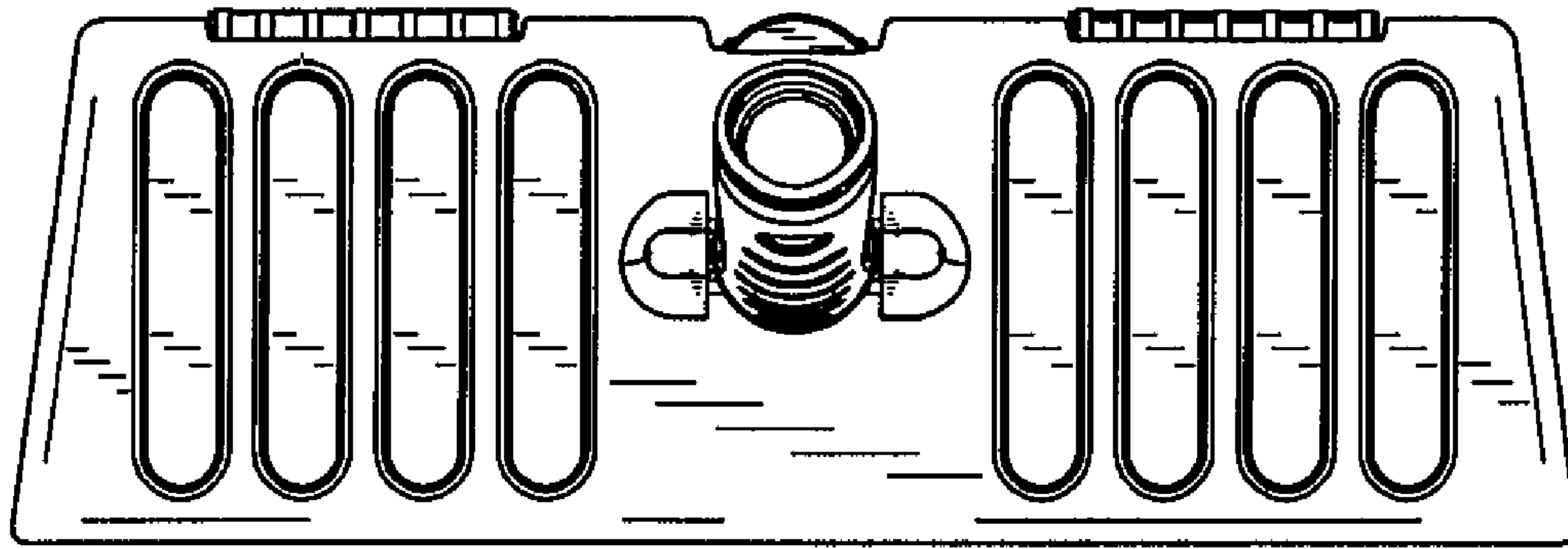


Fig. 15

