



US00D547507S

(12) **United States Design Patent**  
**Medema et al.**

(10) **Patent No.:** **US D547,507 S**  
(45) **Date of Patent:** **\*\* Jul. 24, 2007**

(54) **CYCLONE SEPARATION MODULE**

(75) Inventors: **Douglas J. Medema**, Belding, MI (US); **Bryce G. Rutter**, St. Louis, MO (US); **Marc W. Hunter**, St. Louis, MO (US); **Jeffery F. Feng**, St. Louis, MO (US); **David D. Kusch**, St. Louis, MO (US); **Melvin Joshua Leedle**, St. Louis, MO (US)

(73) Assignee: **Bissell Homecare, Inc.**, Grand Rapids, MI (US)

(\*\*) Term: **14 Years**

(21) Appl. No.: **29/246,192**

(22) Filed: **Mar. 10, 2006**

(51) **LOC (8) Cl.** ..... **15-05**

(52) **U.S. Cl.** ..... **D32/31**

(58) **Field of Classification Search** ..... D32/21-23, D32/31, 15-16, 30; 15/320, 327.1, 327.2, 15/327.6, 327.7, 328-329, 331, 344, 350-353, 15/361, 410-411, DIG. 10; 55/DIG. 3, 337, 55/345, 429, 447; 95/271; 210/512.1; 16/429, 16/114.1, DIG. 19, 419; D8/307-308  
See application file for complete search history.

(56) **References Cited**

**U.S. PATENT DOCUMENTS**

6,231,645 B1 \* 5/2001 Conrad et al. .... 95/271  
D444,275 S 6/2001 Mehaffey  
6,341,404 B1 1/2002 Salo et al.  
D462,813 S 9/2002 Nakano et al.  
D471,683 S 3/2003 Dyson et al.  
D483,535 S 12/2003 Leyden et al.

D488,896 S 4/2004 Leyden  
D494,330 S 8/2004 Downey et al.  
D494,718 S 8/2004 Rosenzweig et al.  
D494,719 S 8/2004 Rosenzweig et al.  
D517,757 S 3/2006 Santiago  
D518,927 S \* 4/2006 Rupp et al. .... D32/21  
D520,692 S 5/2006 Leyden  
7,155,772 B2 \* 1/2007 Lee ..... 15/353  
2004/0200028 A1 \* 10/2004 Oh et al. .... 15/347  
2006/0037172 A1 \* 2/2006 Choi ..... 15/353  
2006/0162298 A1 \* 7/2006 Oh et al. .... 55/337  
2007/0011998 A1 \* 1/2007 Yoo et al. .... 55/337  
2007/0012003 A1 \* 1/2007 Oh et al. .... 55/429

\* cited by examiner

*Primary Examiner*—Ruth McInroy

(74) *Attorney, Agent, or Firm*—McGarry Bair PC

(57) **CLAIM**

The ornamental design for a cyclone separation module, as shown and described.

**DESCRIPTION**

FIG. 1 is a front perspective view of a cyclone separation module which embodies our design;

FIG. 2 is a front view thereof;

FIG. 3 is a rear view thereof;

FIG. 4 is a right side view thereof;

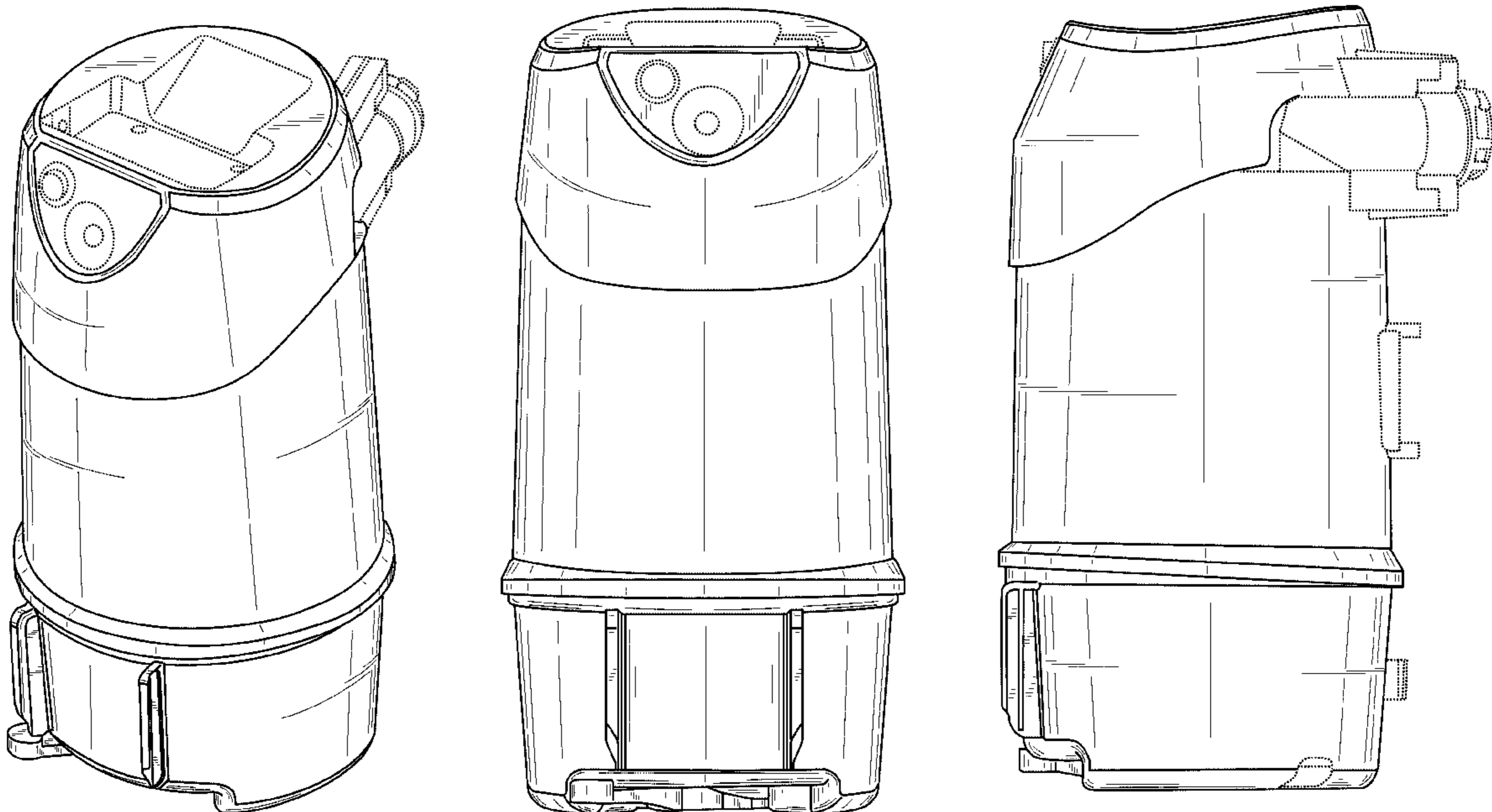
FIG. 5 is a left side view thereof;

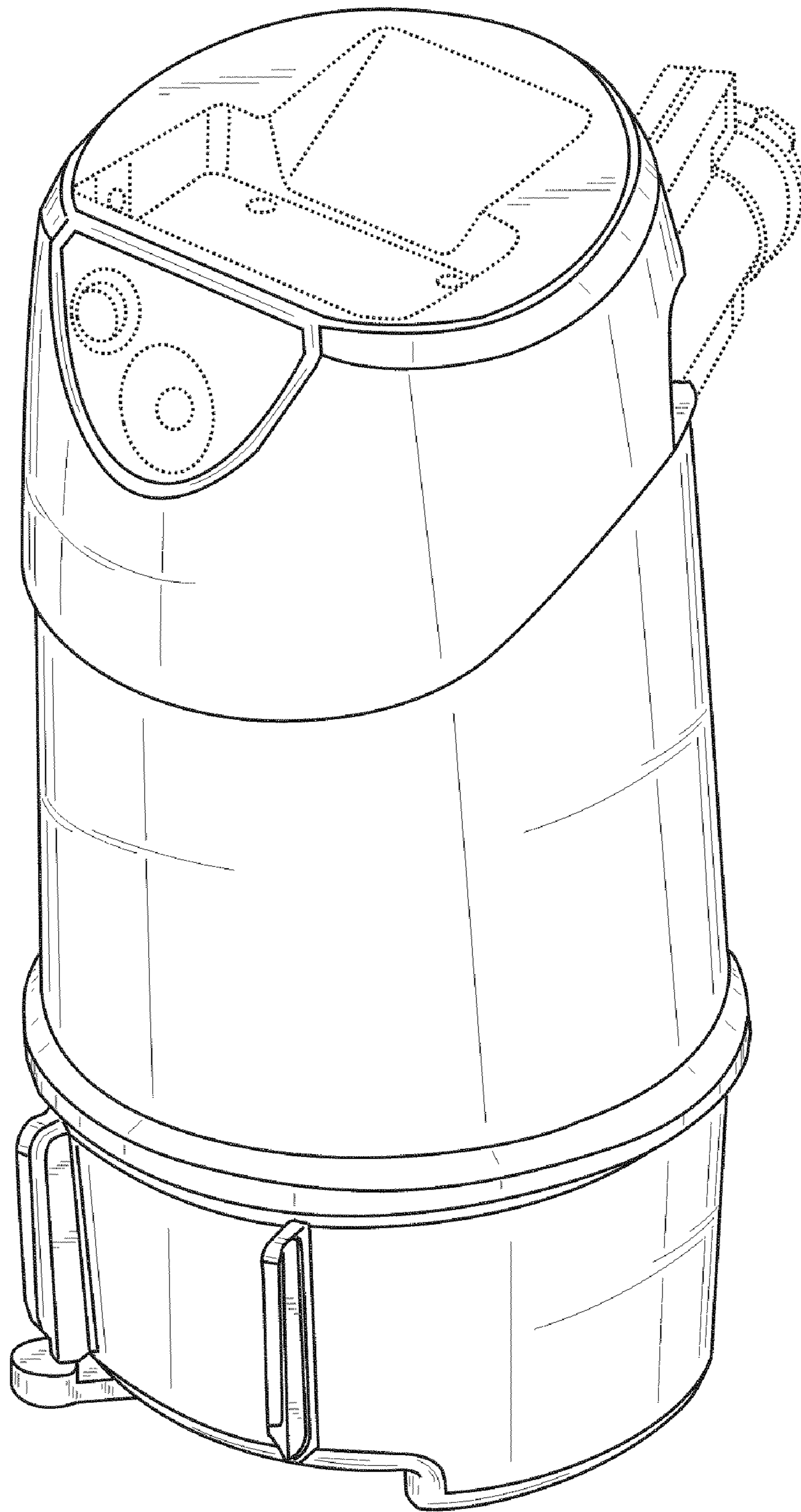
FIG. 6 is a top view thereof; and,

FIG. 7 is a bottom view thereof.

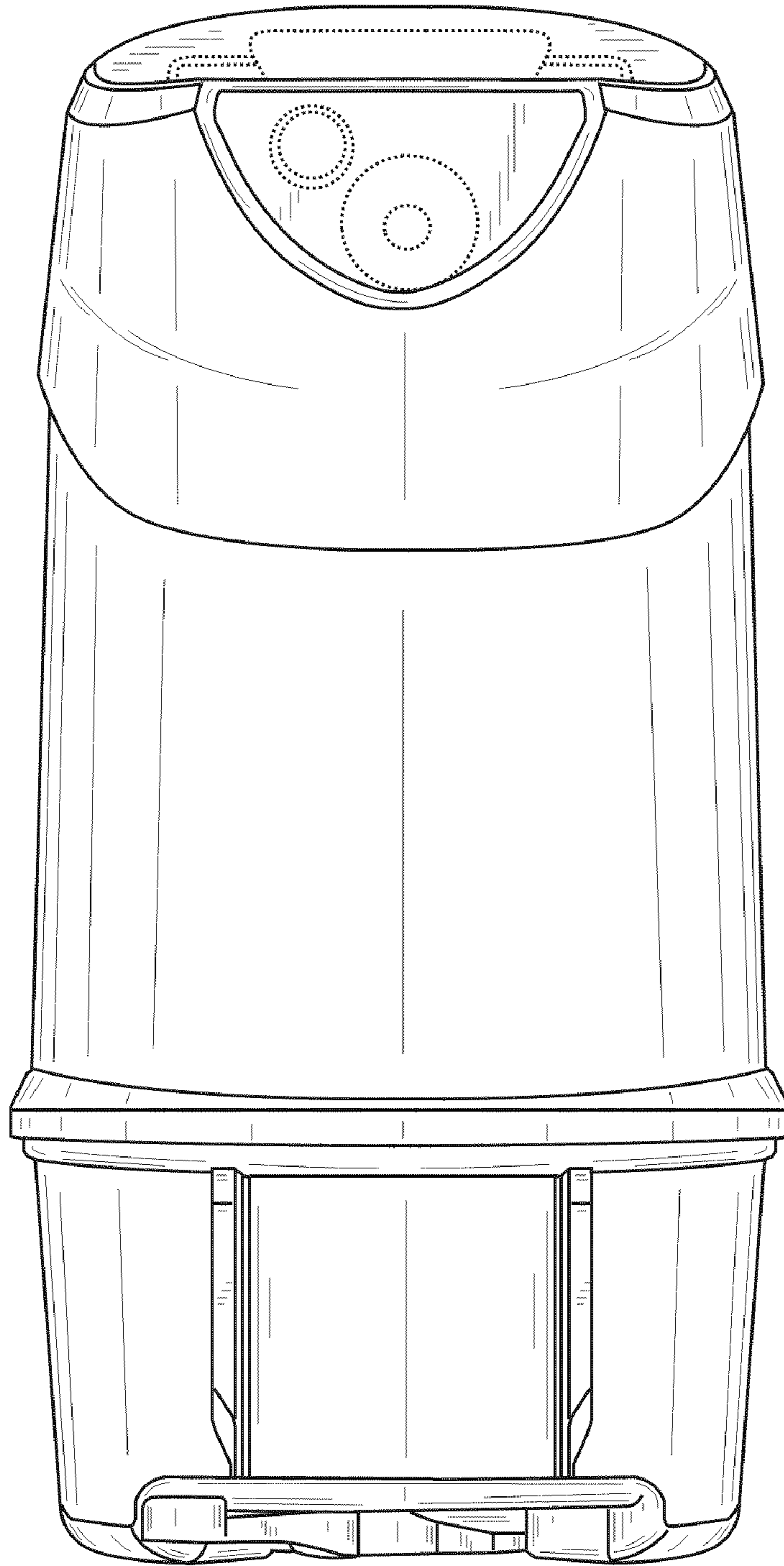
The details shown in broken lines form no part of the claimed design.

**1 Claim, 6 Drawing Sheets**

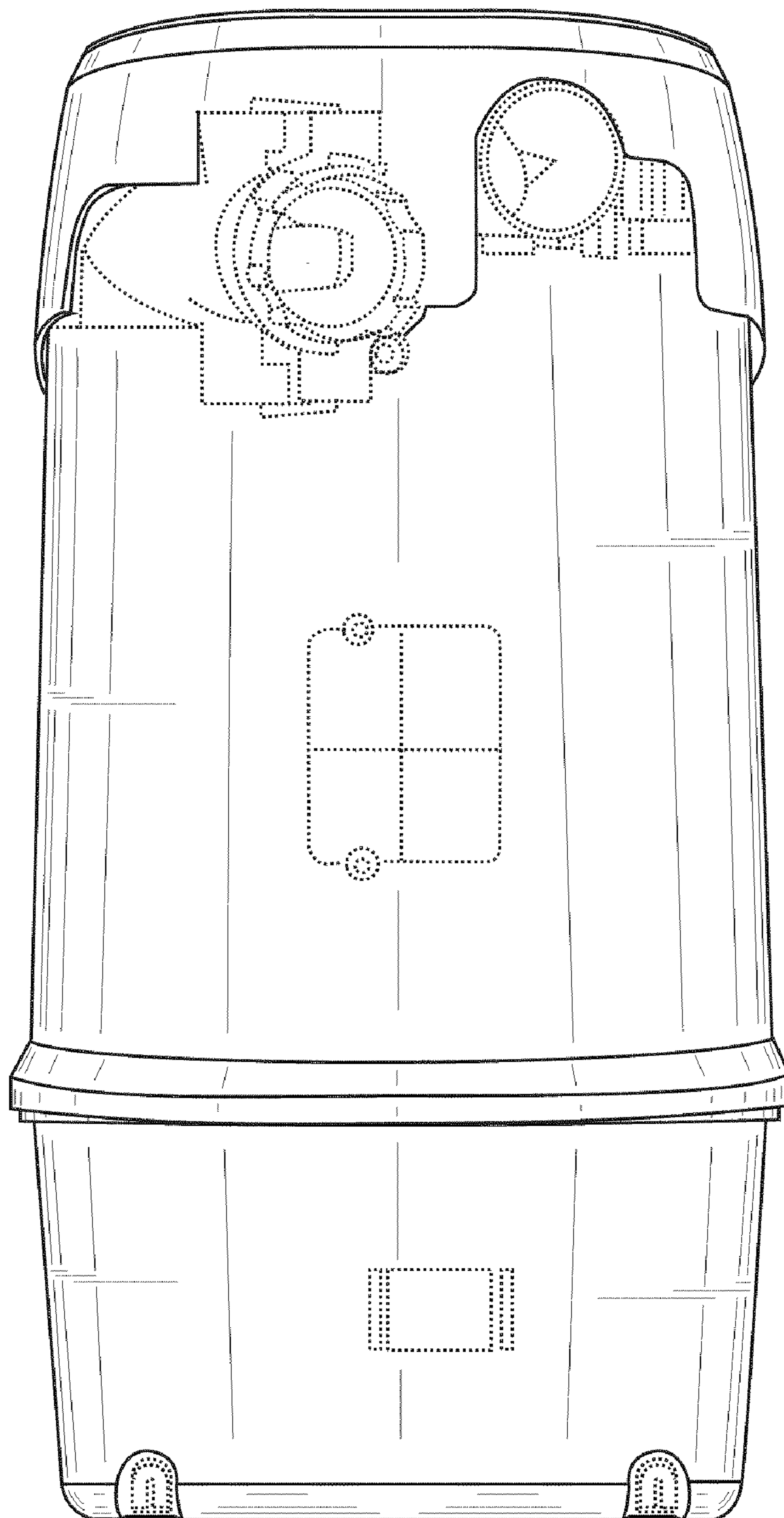




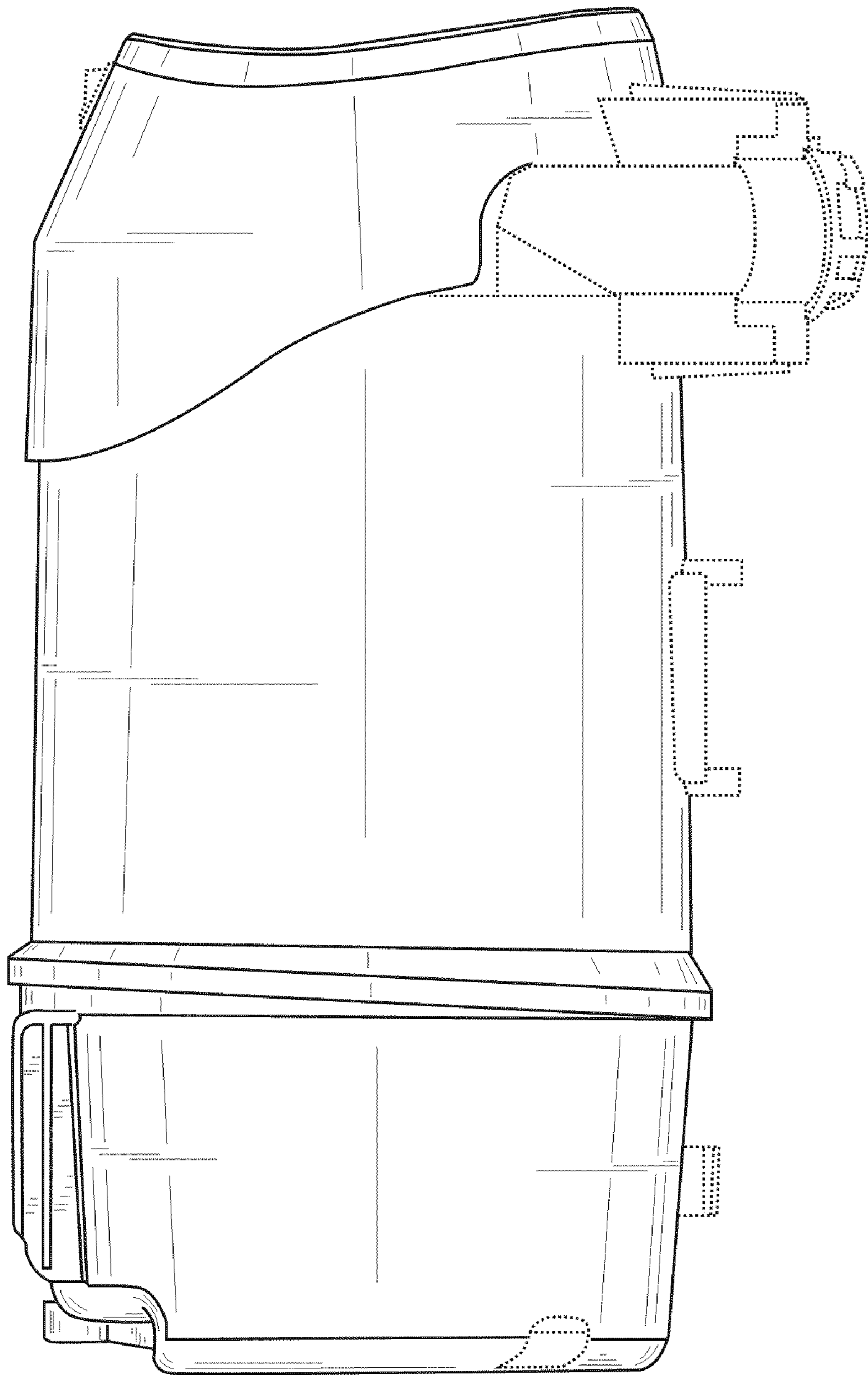
**Fig. 1**



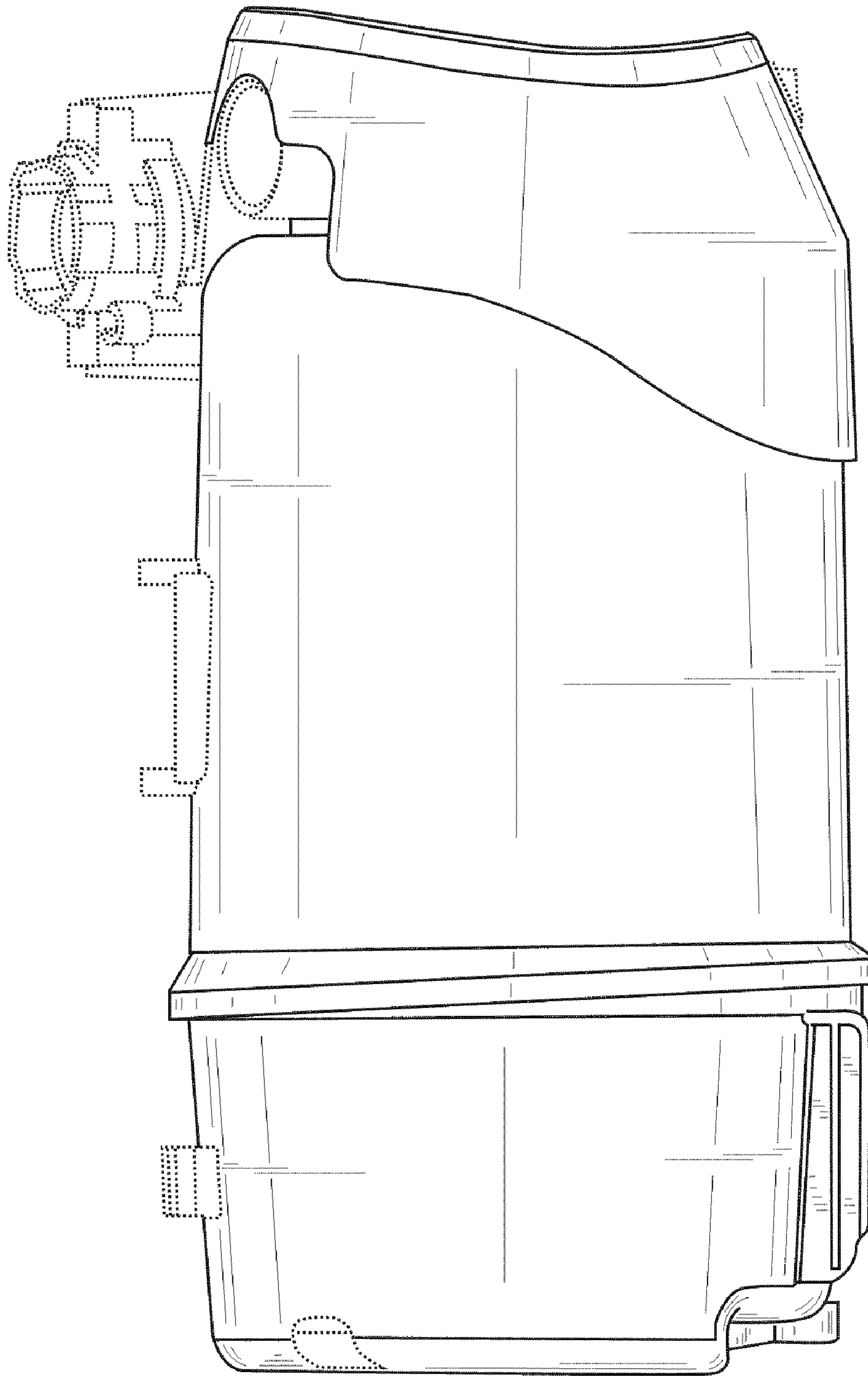
**Fig. 2**



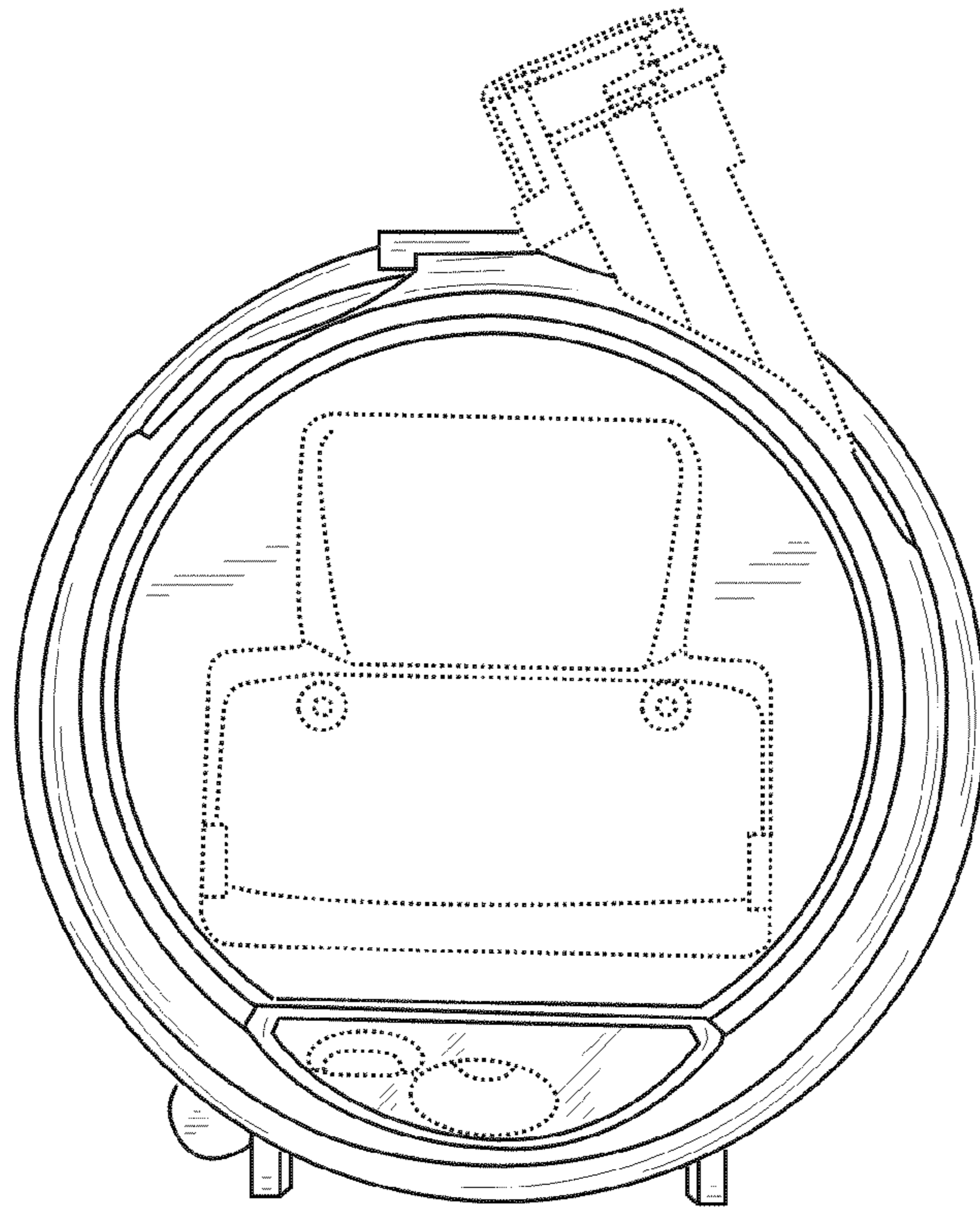
**Fig. 3**



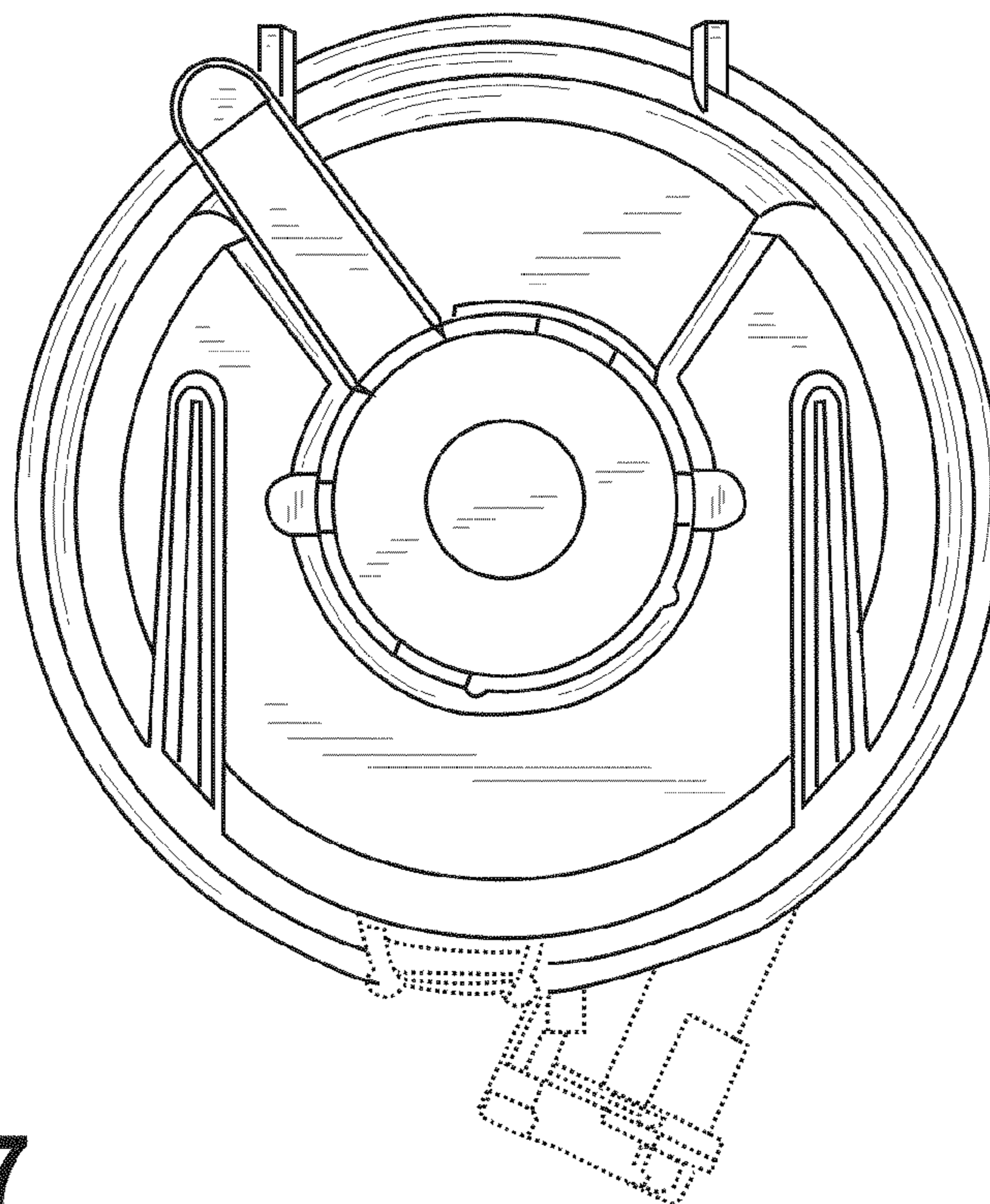
**Fig. 4**



**Fig. 5**



**Fig. 6**



**Fig. 7**