



US00D547506S

(12) **United States Design Patent**
Medema et al.

(10) **Patent No.:** **US D547,506 S**

(45) **Date of Patent:** **** Jul. 24, 2007**

(54) **CYCLONE SEPARATION MODULE**

(75) Inventors: **Douglas J. Medema**, Belding, MI (US); **Bryce G. Rutter**, St. Louis, MO (US); **Marc W. Hunter**, St. Louis, MO (US); **Jeffery F. Feng**, St. Louis, MO (US); **David D. Kusch**, St. Louis, MO (US); **Melvin Joshua Leedle**, St. Louis, MO (US)

(73) Assignee: **Bissell Homecare, Inc.**, Grand Rapids, MI (US)

(**) Term: **14 Years**

(21) Appl. No.: **29/246,191**

(22) Filed: **Mar. 10, 2006**

(51) **LOC (8) Cl.** **15-05**

(52) **U.S. Cl.** **D32/31**

(58) **Field of Classification Search** D32/21-23, D32/31, 15-16, 30; 15/320, 327.1, 327.2, 15/327.6, 327.7, 328-329, 331, 344, 350-353, 15/361, 410-411, DIG. 10; 55/DIG. 3, 337, 55/345, 429, 447; 95/271; 210/512.1; 16/429, 16/114.1, DIG. 19, 419; D8/307-308
See application file for complete search history.

(56) **References Cited**

U.S. PATENT DOCUMENTS

| | | | | |
|-----------|------|---------|---------------|--------|
| 6,231,645 | B1 * | 5/2001 | Conrad et al. | 95/271 |
| D444,275 | S | 6/2001 | Mehaffey | |
| 6,341,404 | B1 | 1/2002 | Salo et al. | |
| D462,813 | S | 9/2002 | Nakano et al. | |
| D471,683 | S | 3/2003 | Dyson et al. | |
| D483,535 | S | 12/2003 | Leyden et al. | |

| | | | | |
|--------------|------|---------|-------------------|--------|
| D488,896 | S | 4/2004 | Leyden | |
| D494,330 | S | 8/2004 | Downey et al. | |
| D494,718 | S | 8/2004 | Rosenzweig et al. | |
| D494,719 | S | 8/2004 | Rosenzweig et al. | |
| D517,757 | S | 3/2006 | Santiago | |
| D518,927 | S * | 4/2006 | Rupp et al. | D32/21 |
| D520,692 | S | 5/2006 | Leyden | |
| 7,155,772 | B2 * | 1/2007 | Lee | 15/353 |
| 2004/0200028 | A1 * | 10/2004 | Oh et al. | 15/347 |
| 2006/0037172 | A1 * | 2/2006 | Choi | 15/353 |
| 2006/0162298 | A1 * | 7/2006 | Oh et al. | 55/337 |
| 2007/0011998 | A1 * | 1/2007 | Yoo et al. | 55/337 |
| 2007/0012003 | A1 * | 1/2007 | Oh et al. | 55/429 |

* cited by examiner

Primary Examiner—Ruth McInroy

(74) *Attorney, Agent, or Firm*—McGarry Bair PC

(57) **CLAIM**

The ornamental design for a cyclone separation module, as shown and described.

DESCRIPTION

FIG. 1 is a front perspective view of a cyclone separation module which embodies our design;

FIG. 2 is a front view thereof;

FIG. 3 is a rear view thereof;

FIG. 4 is a right side view thereof;

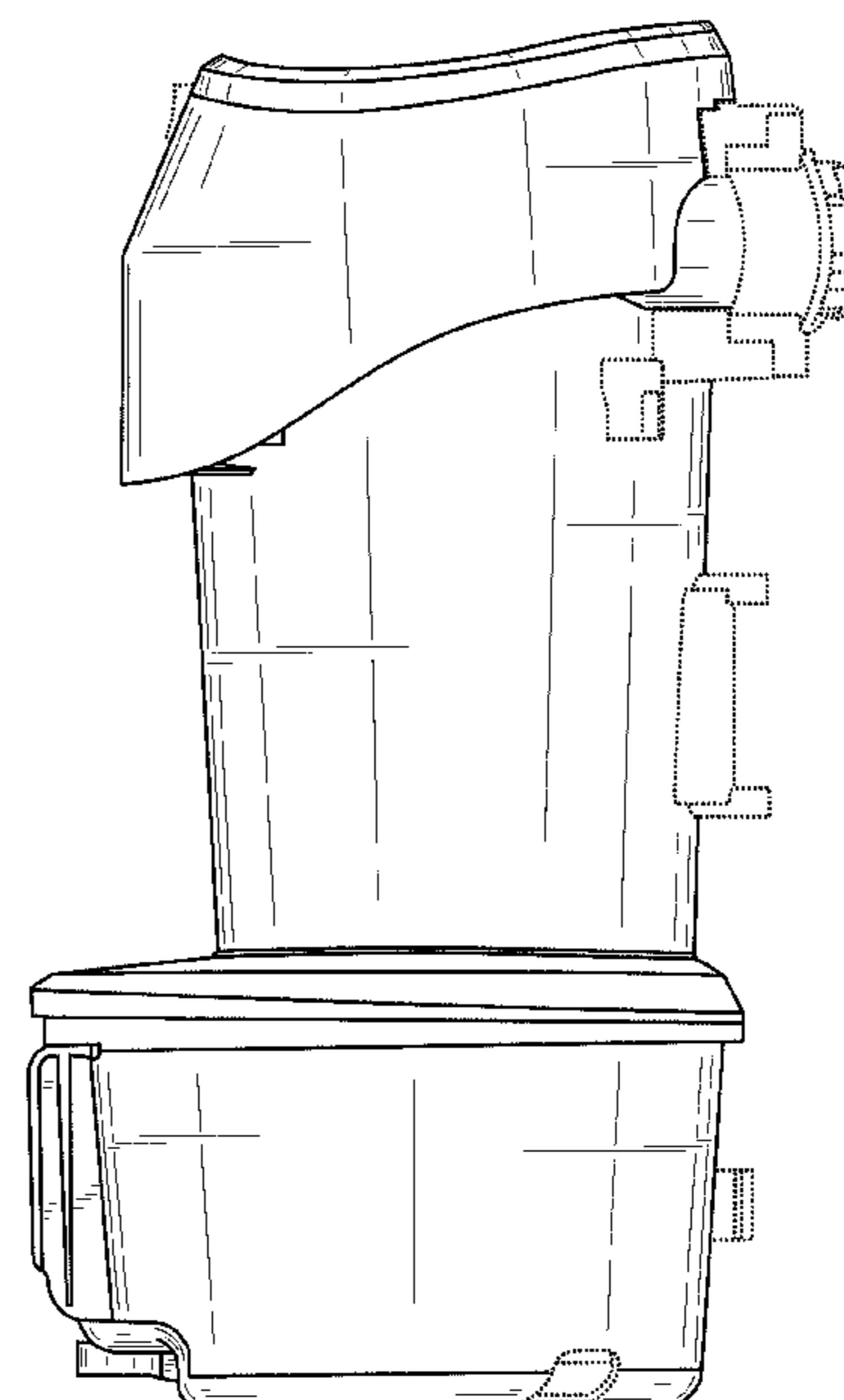
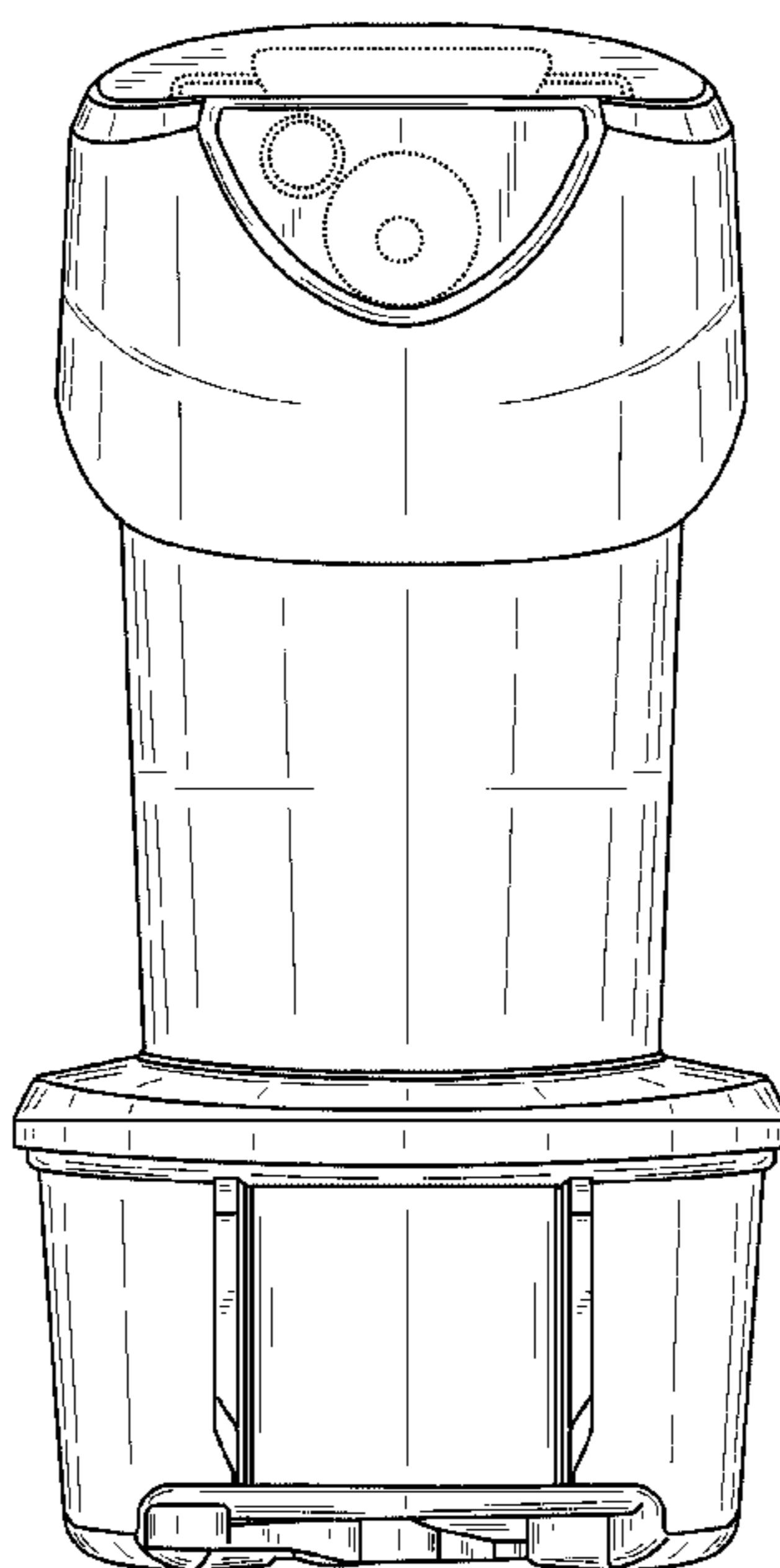
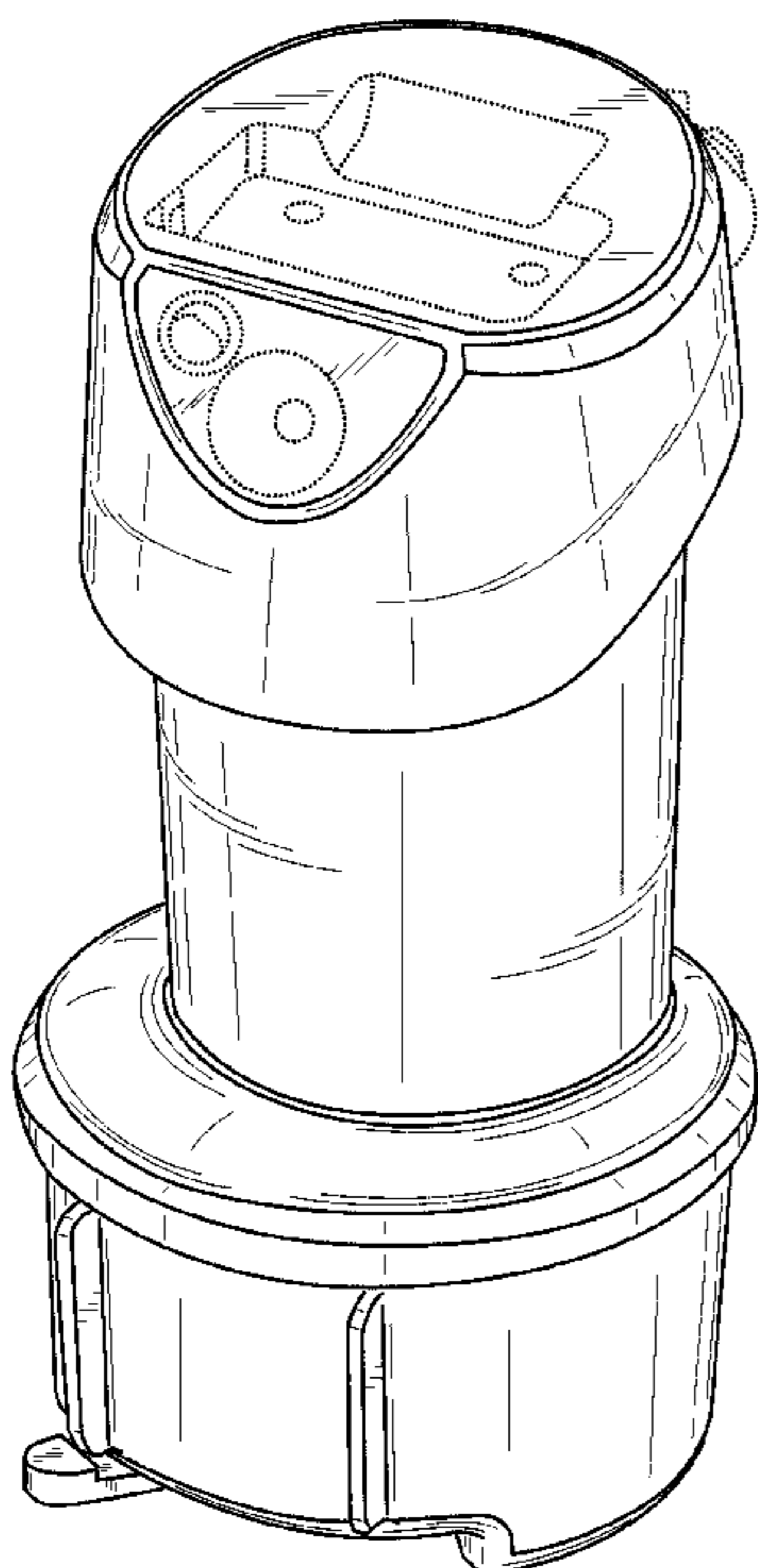
FIG. 5 is a left side view thereof; and

FIG. 6 is a top view thereof; and,

FIG. 7 is a bottom view thereof.

The details shown in broken lines form no part of the claimed design.

1 Claim, 6 Drawing Sheets



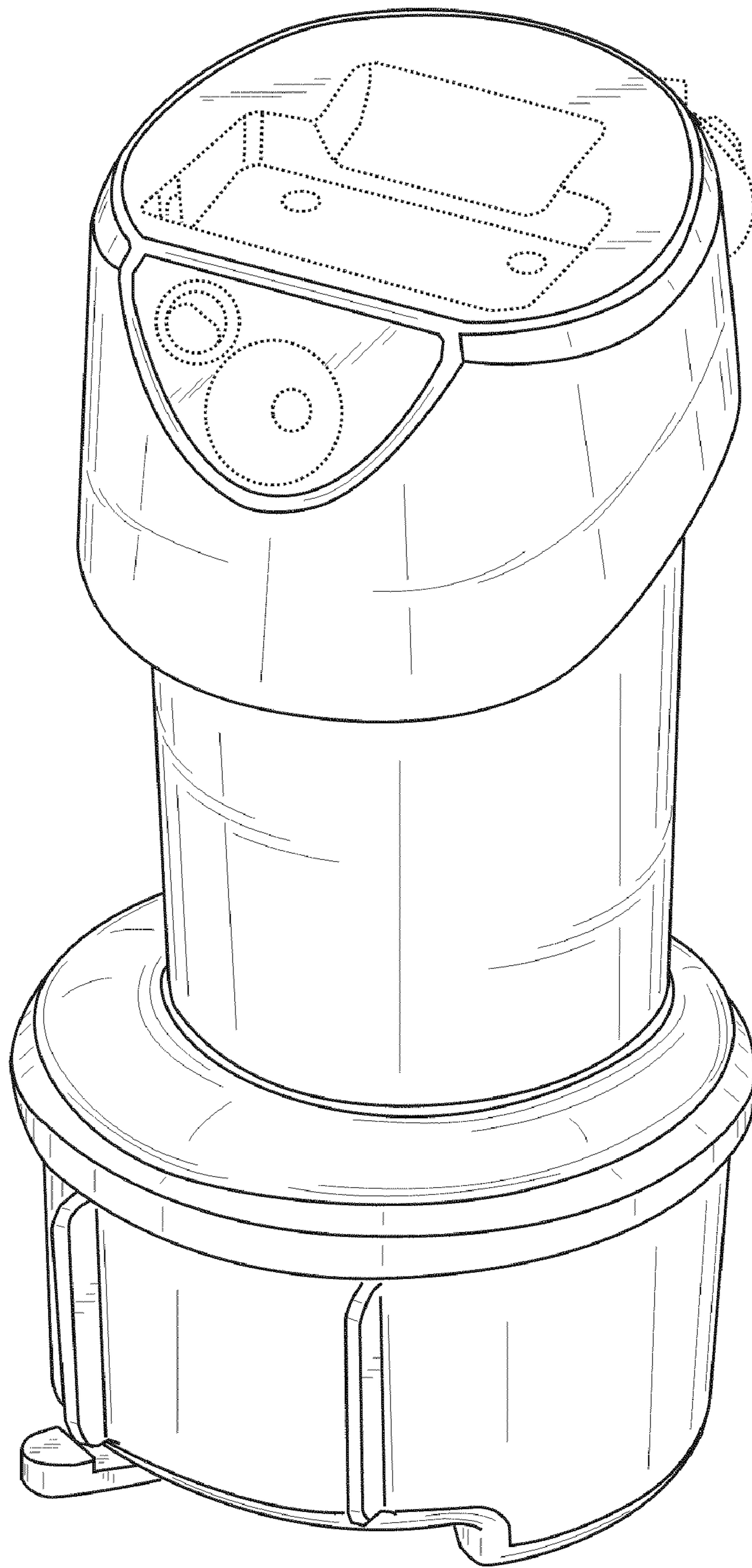


Fig. 1

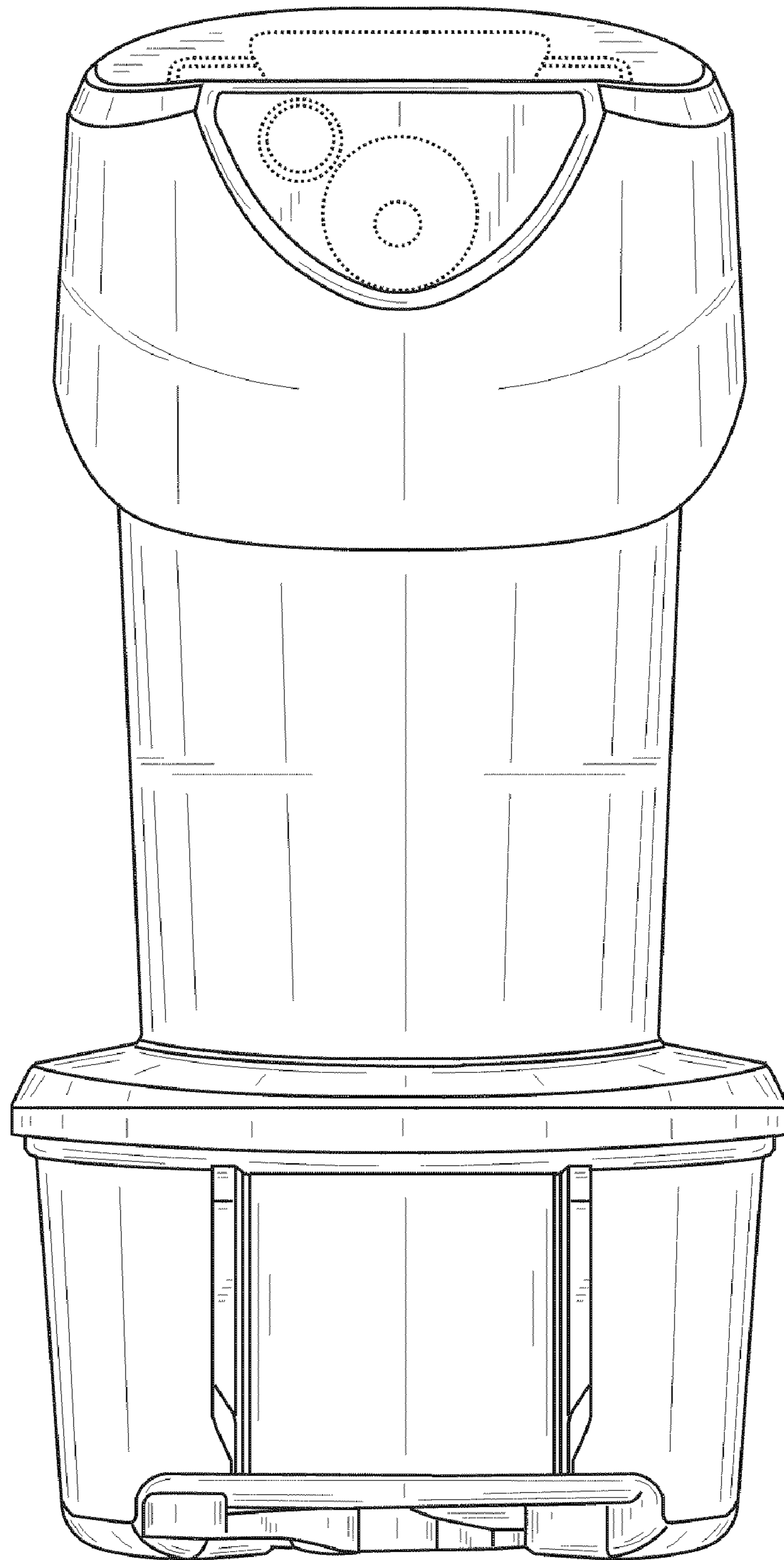


Fig. 2

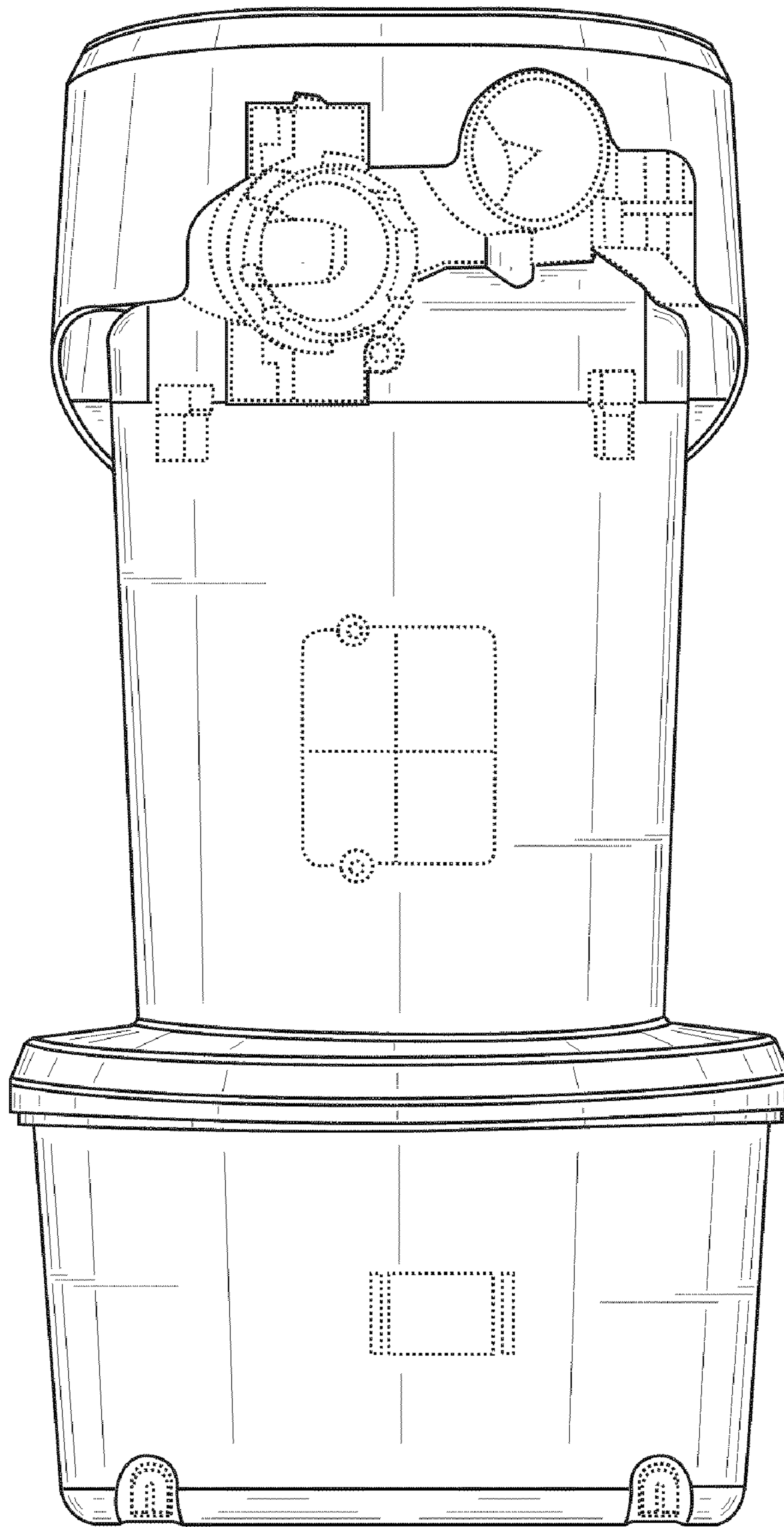


Fig. 3

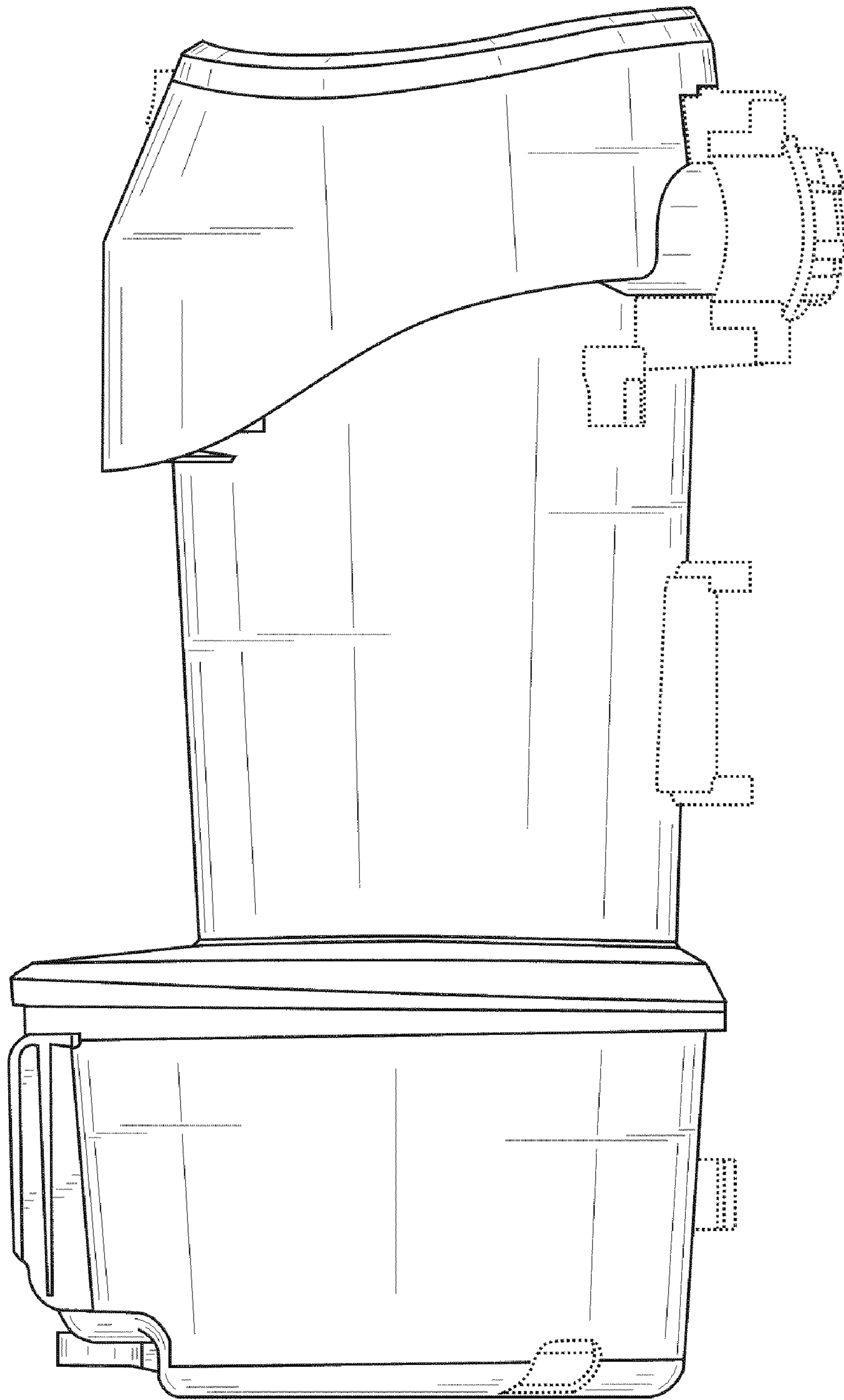


Fig. 4

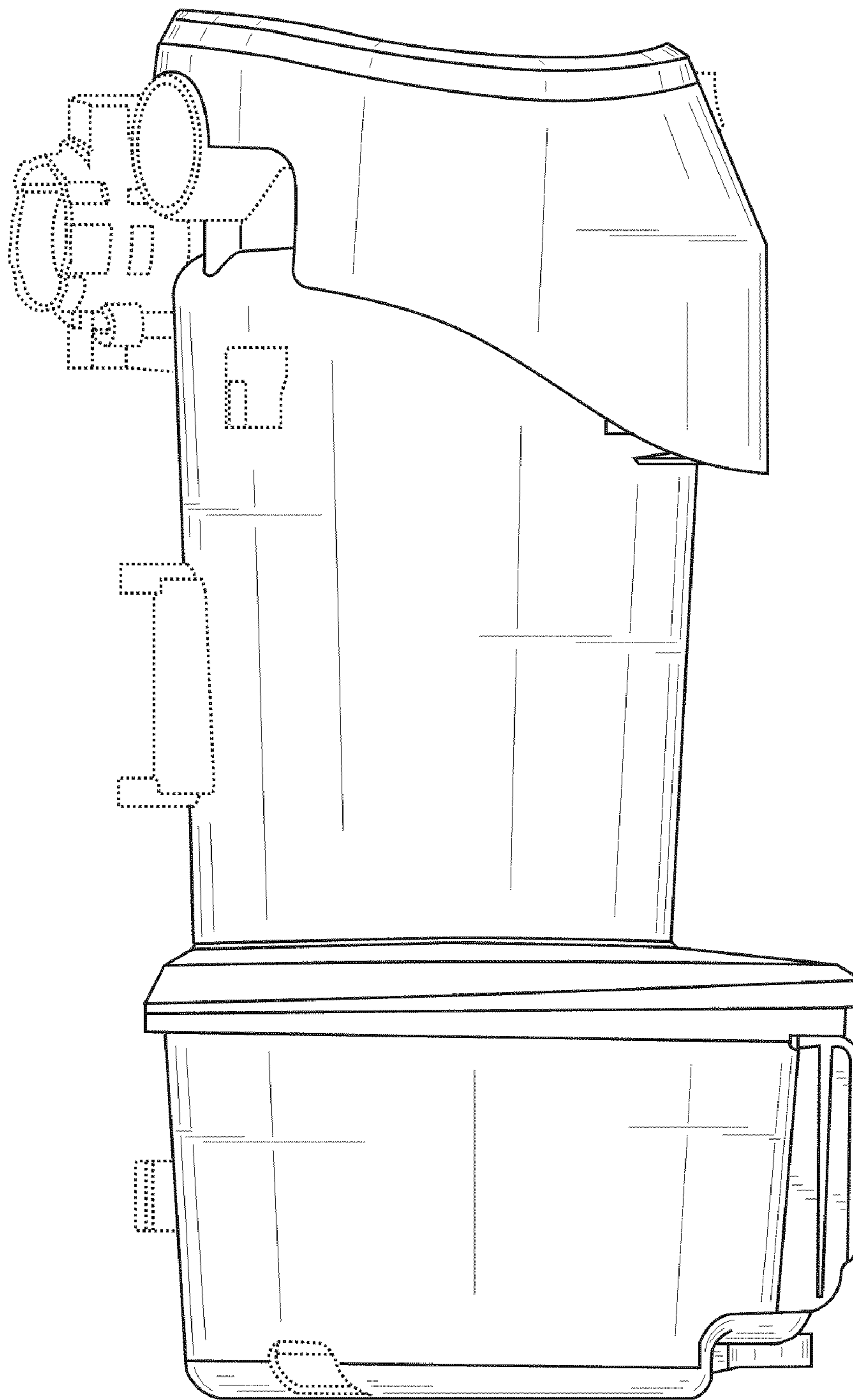


Fig. 5

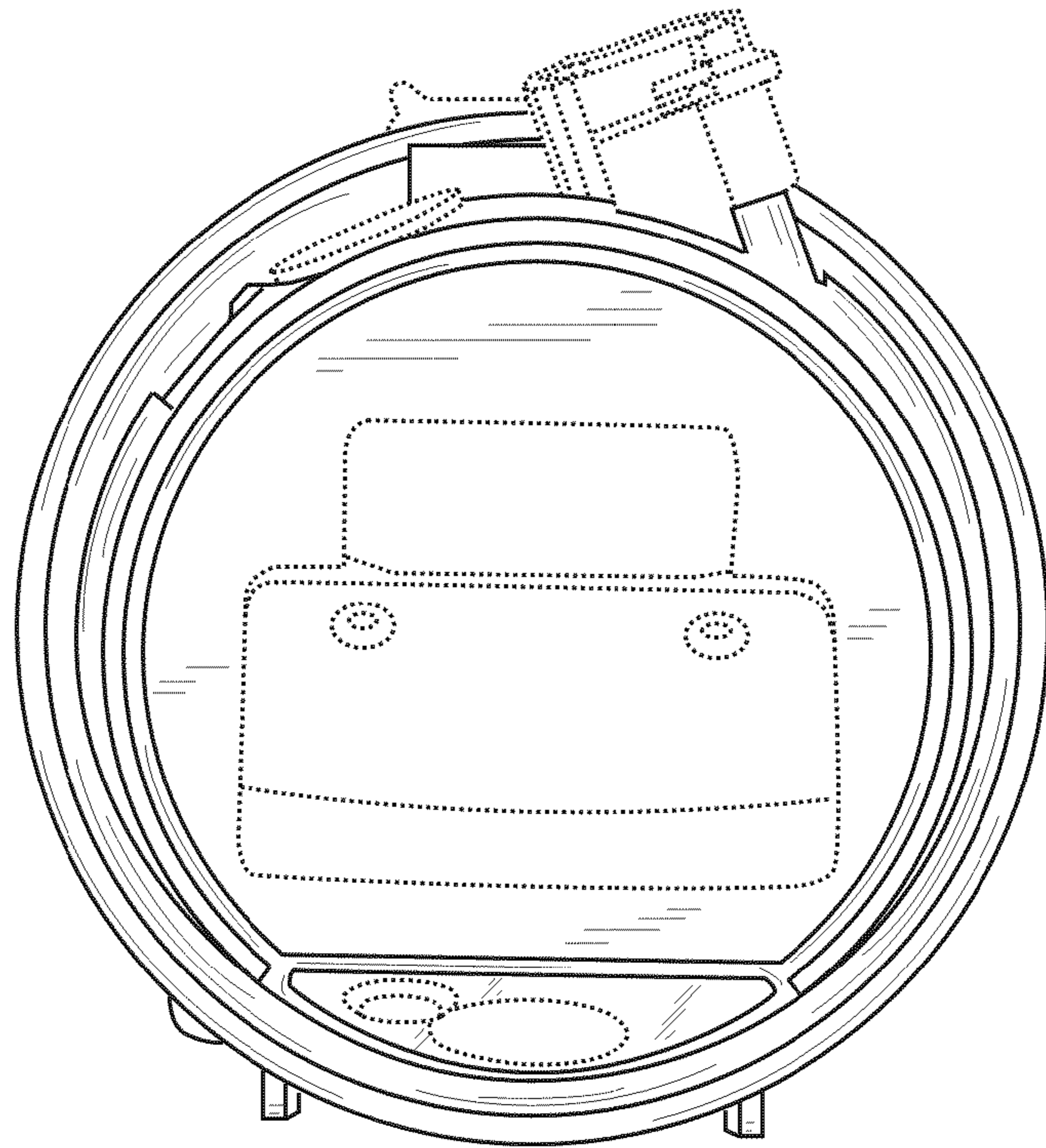


Fig. 6

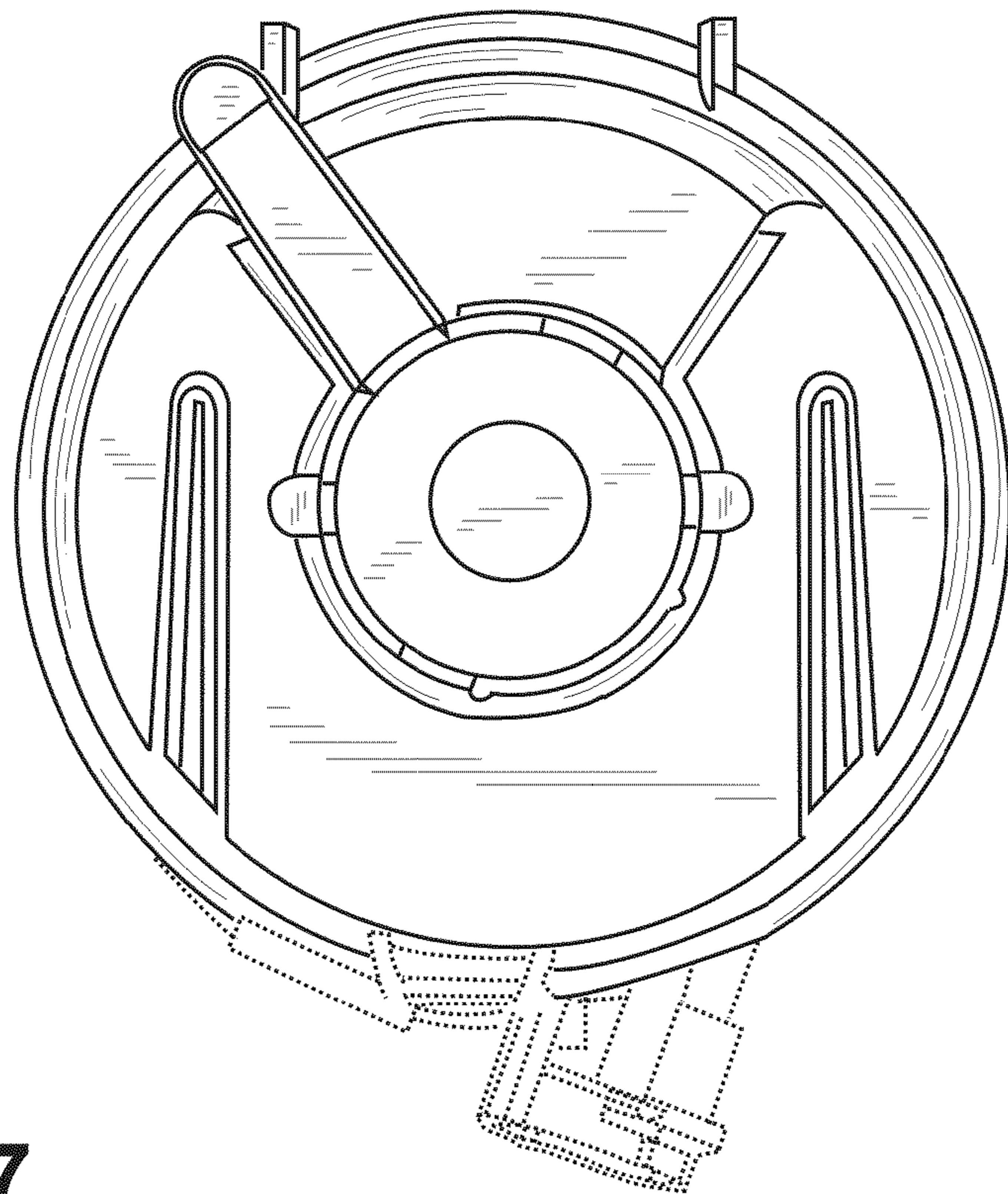


Fig. 7