



US00D547505S

(12) **United States Design Patent**
Carr et al.

(10) **Patent No.:** **US D547,505 S**
(45) **Date of Patent:** **** Jul. 24, 2007**

(54) **VACUUM CLEANER CYCLONE SEPARATION MODULE**

(75) Inventors: **Adam G. Carr**, Grand Rapids, MI (US); **Mitchell E. Auerbach**, Grand Haven, MI (US); **Douglas J. Medema**, Belding, MI (US)

(73) Assignee: **Bissell Homecare, Inc.**, Grand Rapids, MI (US)

(**) Term: **14 Years**

(21) Appl. No.: **29/246,175**

(22) Filed: **Mar. 8, 2006**

(51) **LOC (8) Cl.** **15-05**

(52) **U.S. Cl.** **D32/31**

(58) **Field of Classification Search** D32/21-23, D32/31, 15-16, 30; 15/320, 327.1, 327.2, 15/327.6, 327.7, 328-329, 331, 344, 350-353, 15/361, 410-411, DIG. 10; 55/DIG. 3, 337, 55/345, 429, 447; 95/271; 210/512.1; 16/429, 16/114.1, DIG. 19, 419; D8/307-308
See application file for complete search history.

(56) **References Cited**

U.S. PATENT DOCUMENTS

6,341,404 B1	1/2002	Salo et al.
D462,813 S	9/2002	Nakano et al.
D471,683 S	3/2003	Dyson et al.
D488,896 S	4/2004	Leyden
6,735,818 B2	5/2004	Hamad et al.

D494,330 S	8/2004	Downey et al.
D494,718 S	8/2004	Rosenzweig et al.
D494,719 S	8/2004	Rosenzweig et al.
D510,465 S *	10/2005	Takahashi et al. D32/22
7,014,675 B2	3/2006	Nakai et al.
D520,692 S	5/2006	Leyden
D532,944 S *	11/2006	Choi D32/22
D535,070 S *	1/2007	Shin D32/22
7,175,682 B2 *	2/2007	Nakai et al. 55/429
2002/0108208 A1 *	8/2002	Hamada et al. 15/352
2004/0261213 A1	12/2004	Park et al.
2005/0015921 A1	1/2005	Pullins

* cited by examiner

Primary Examiner—Ruth McInroy

(74) *Attorney, Agent, or Firm*—McGarry Bair PC

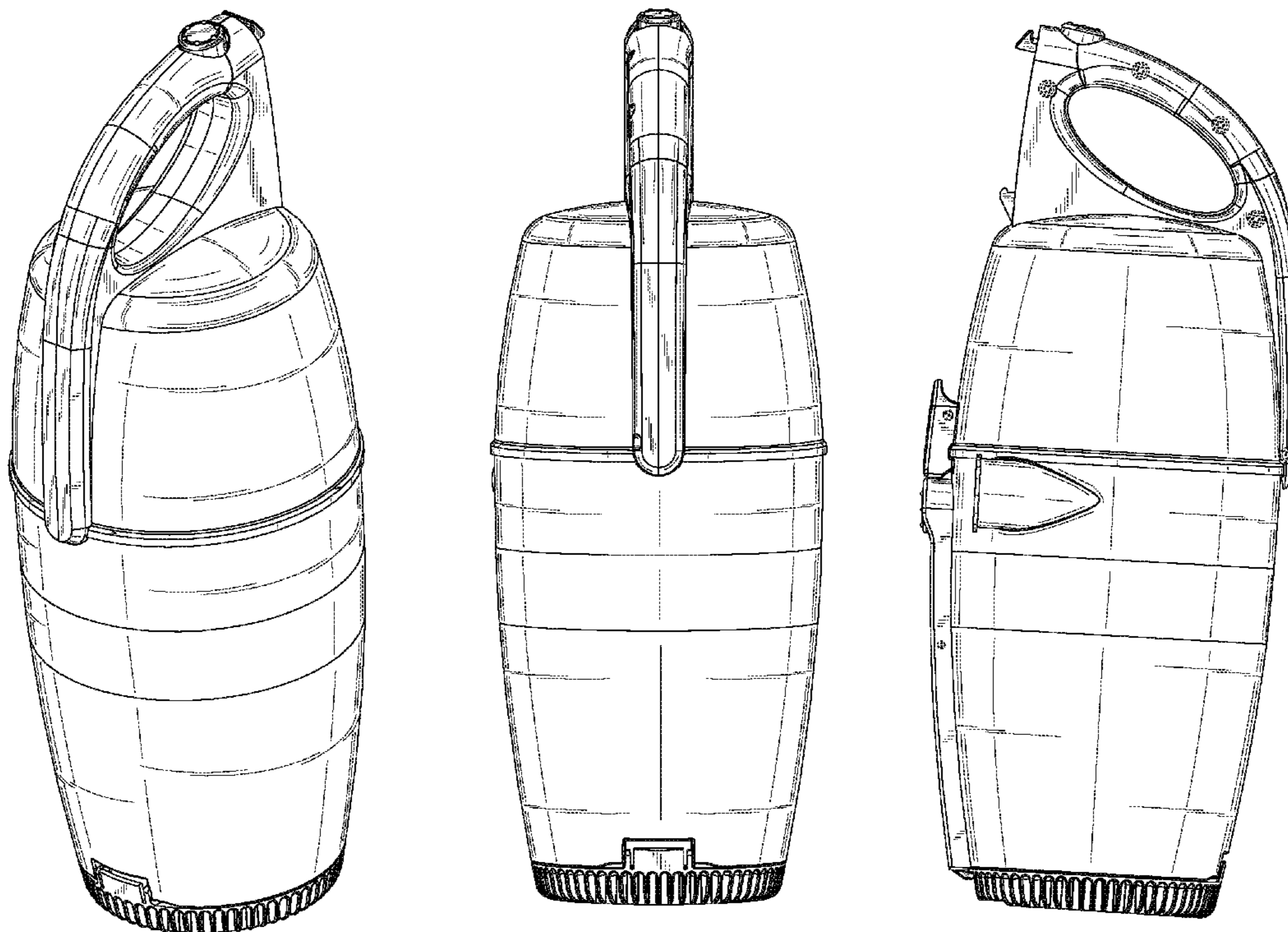
(57) **CLAIM**

The ornamental design for a vacuum cleaner cyclone separation module, as shown and described.

DESCRIPTION

FIG. 1 is a front perspective view of a vacuum cleaner cyclone separation module which embodies our design;
FIG. 2 is a front view thereof;
FIG. 3 is a rear view thereof;
FIG. 4 is a right side view thereof;
FIG. 5 is a left side view thereof;
FIG. 6 is a top view thereof; and,
FIG. 7 is a bottom view thereof.

1 Claim, 4 Drawing Sheets



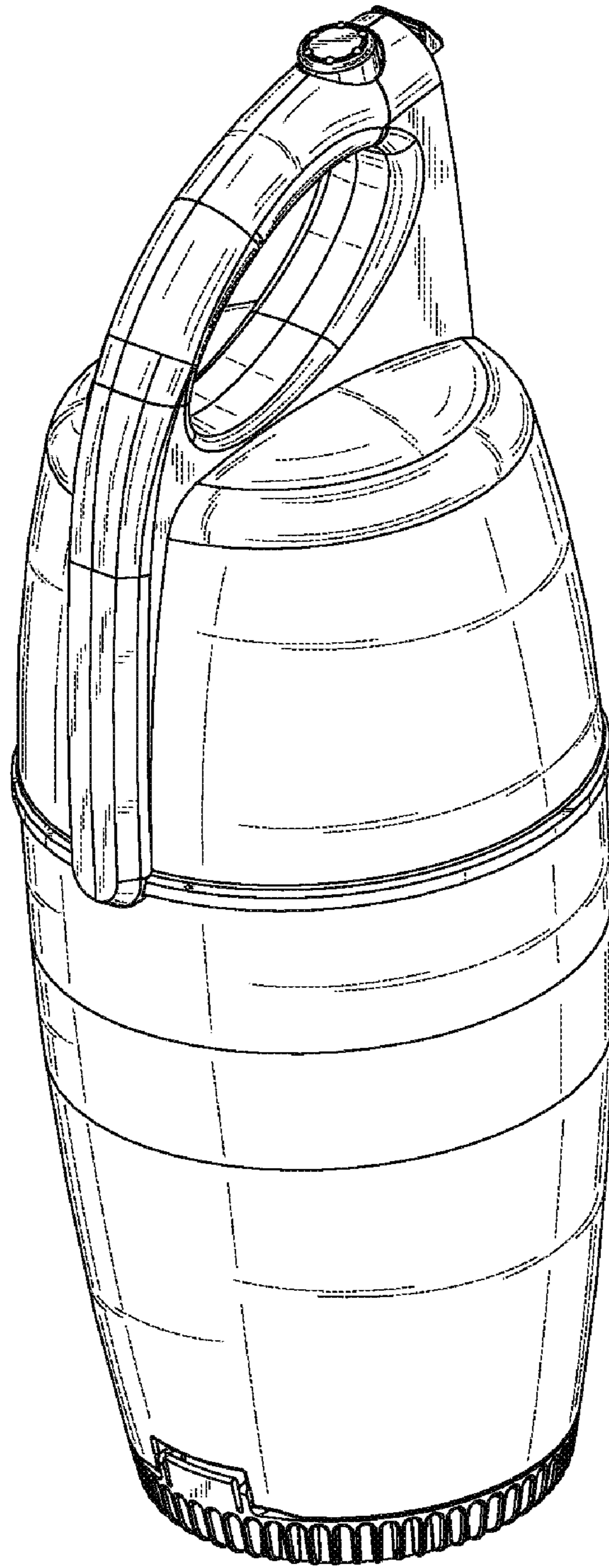


Fig. 1

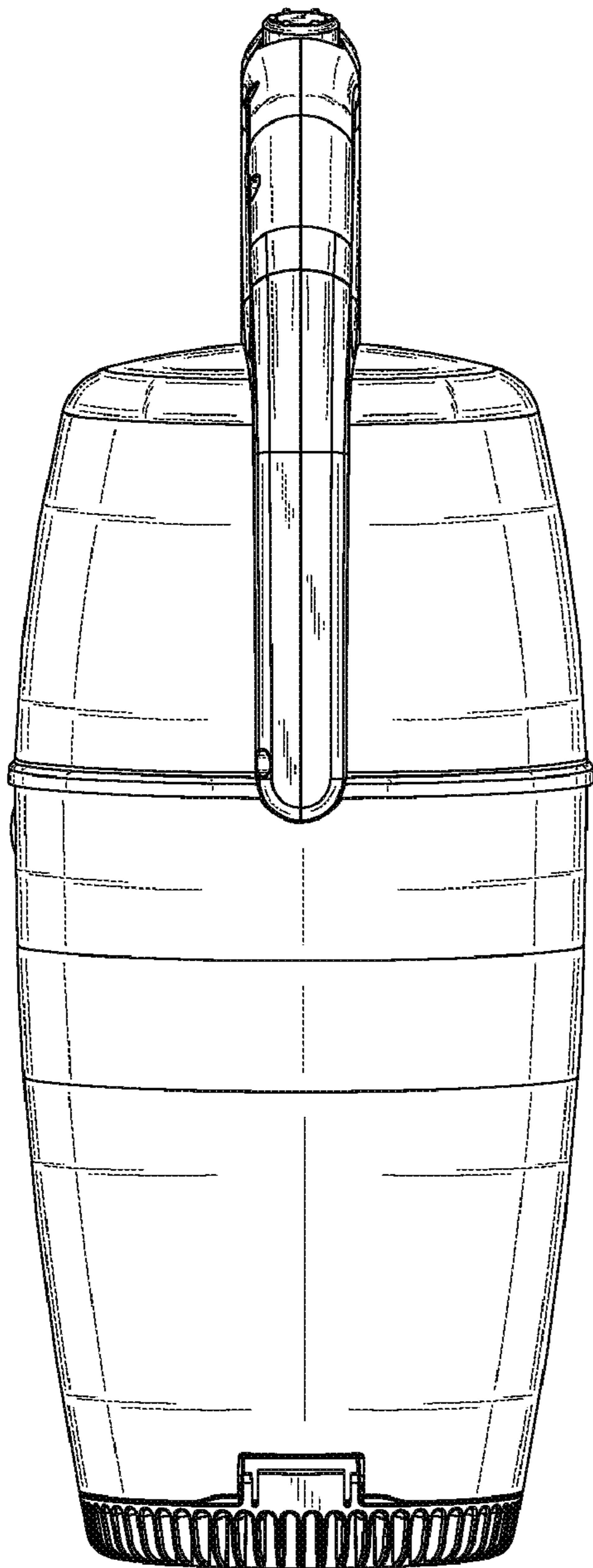


Fig. 2

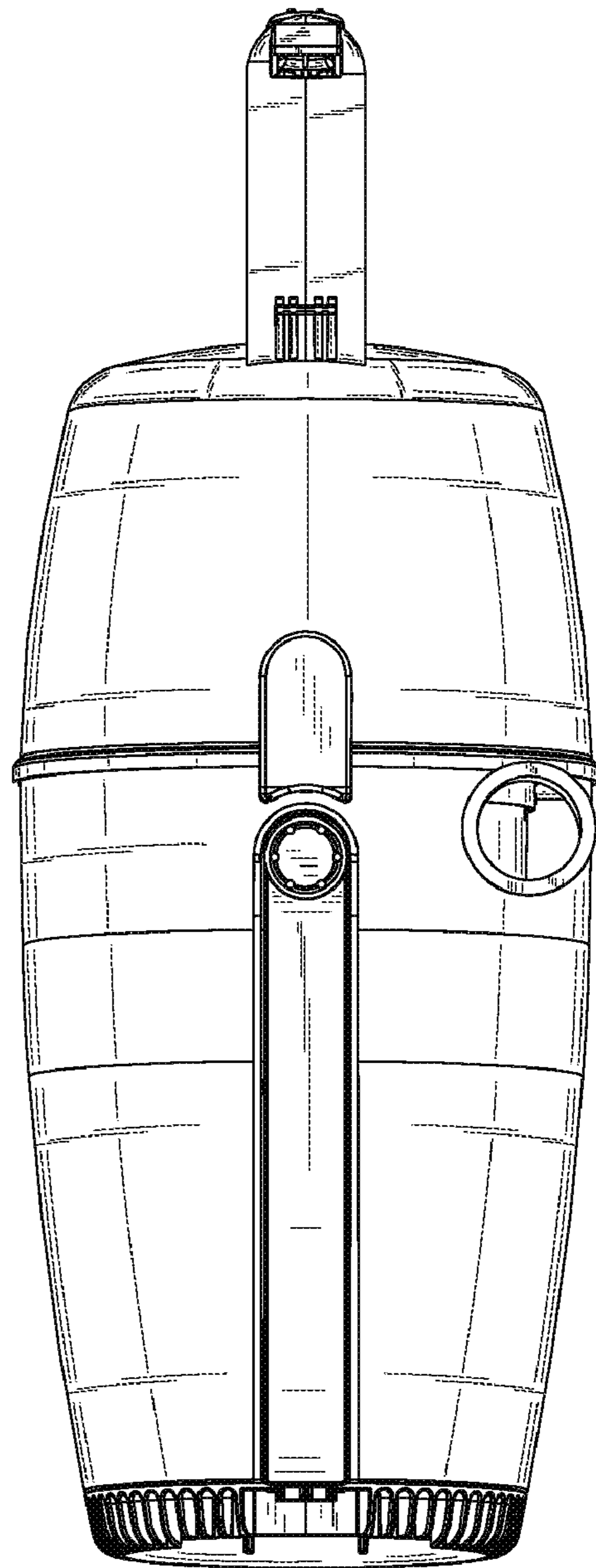


Fig. 3

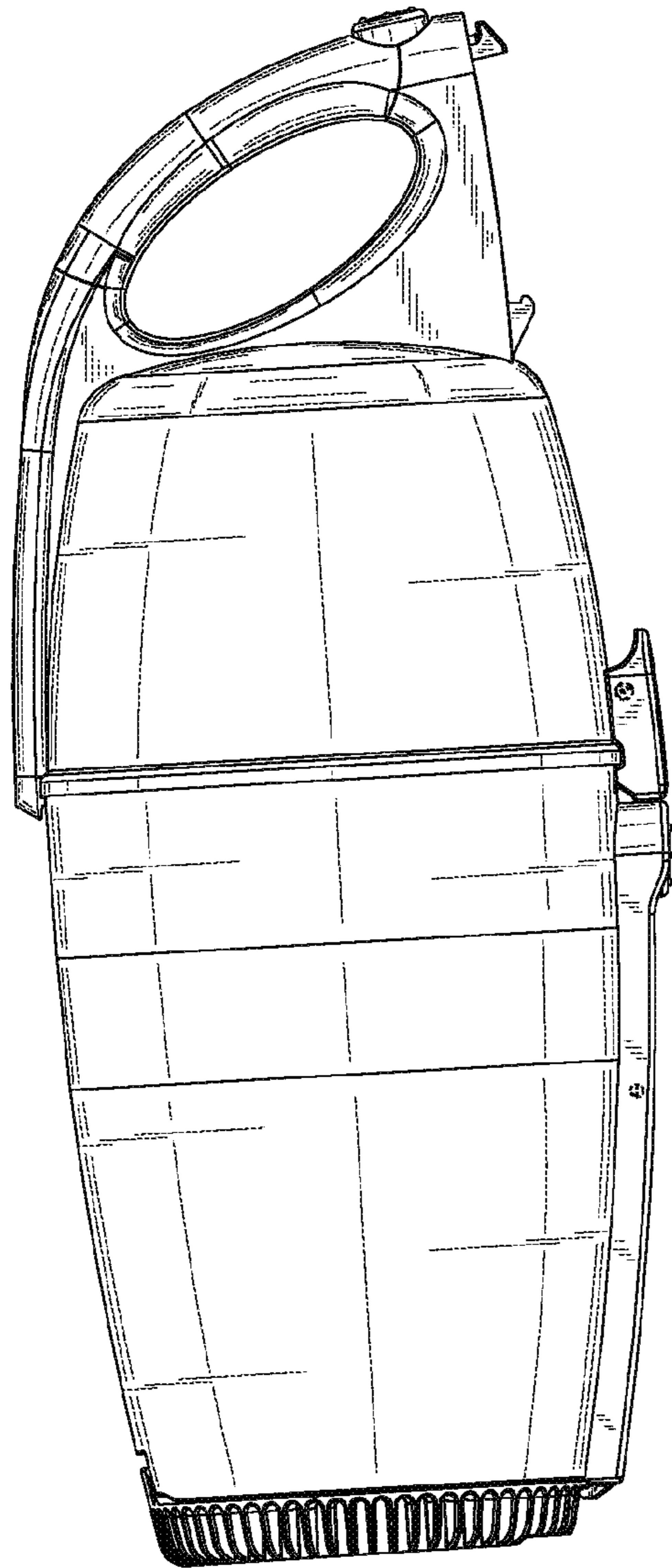


Fig. 4

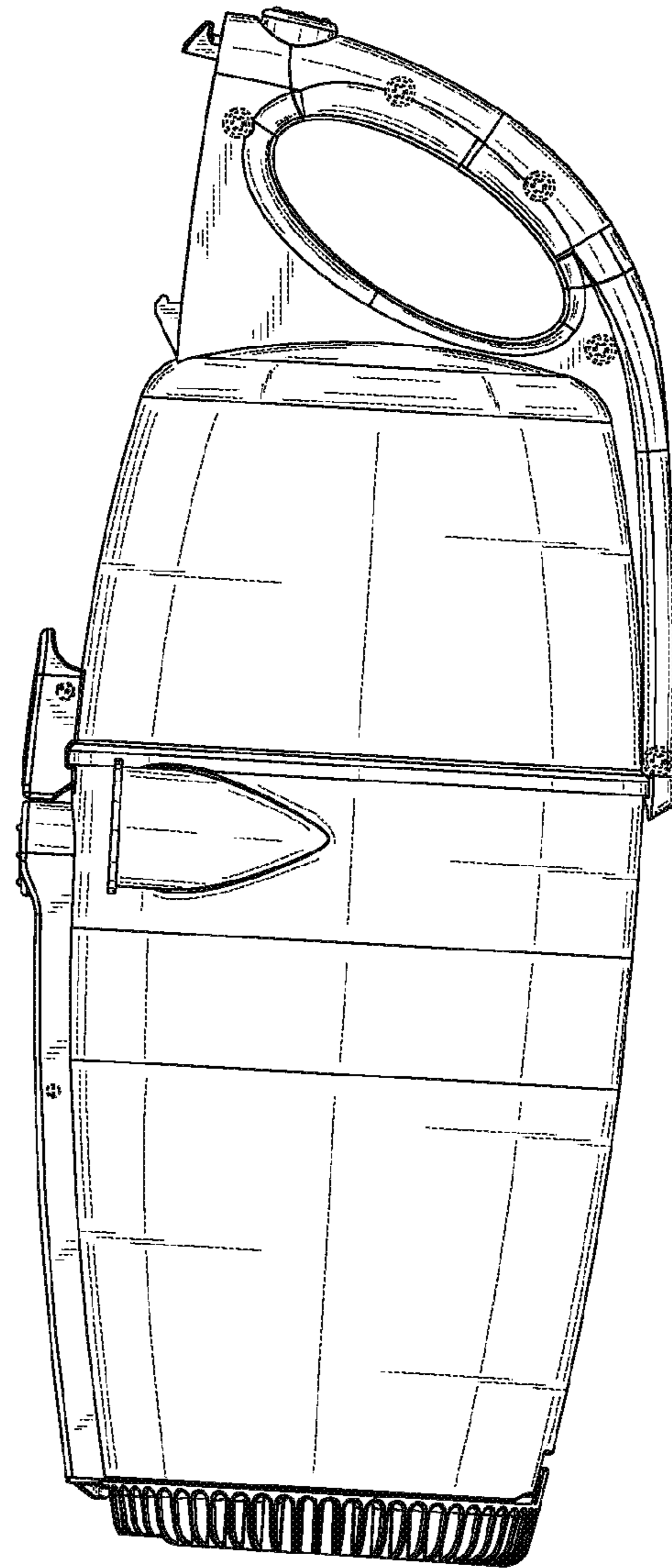


Fig. 5

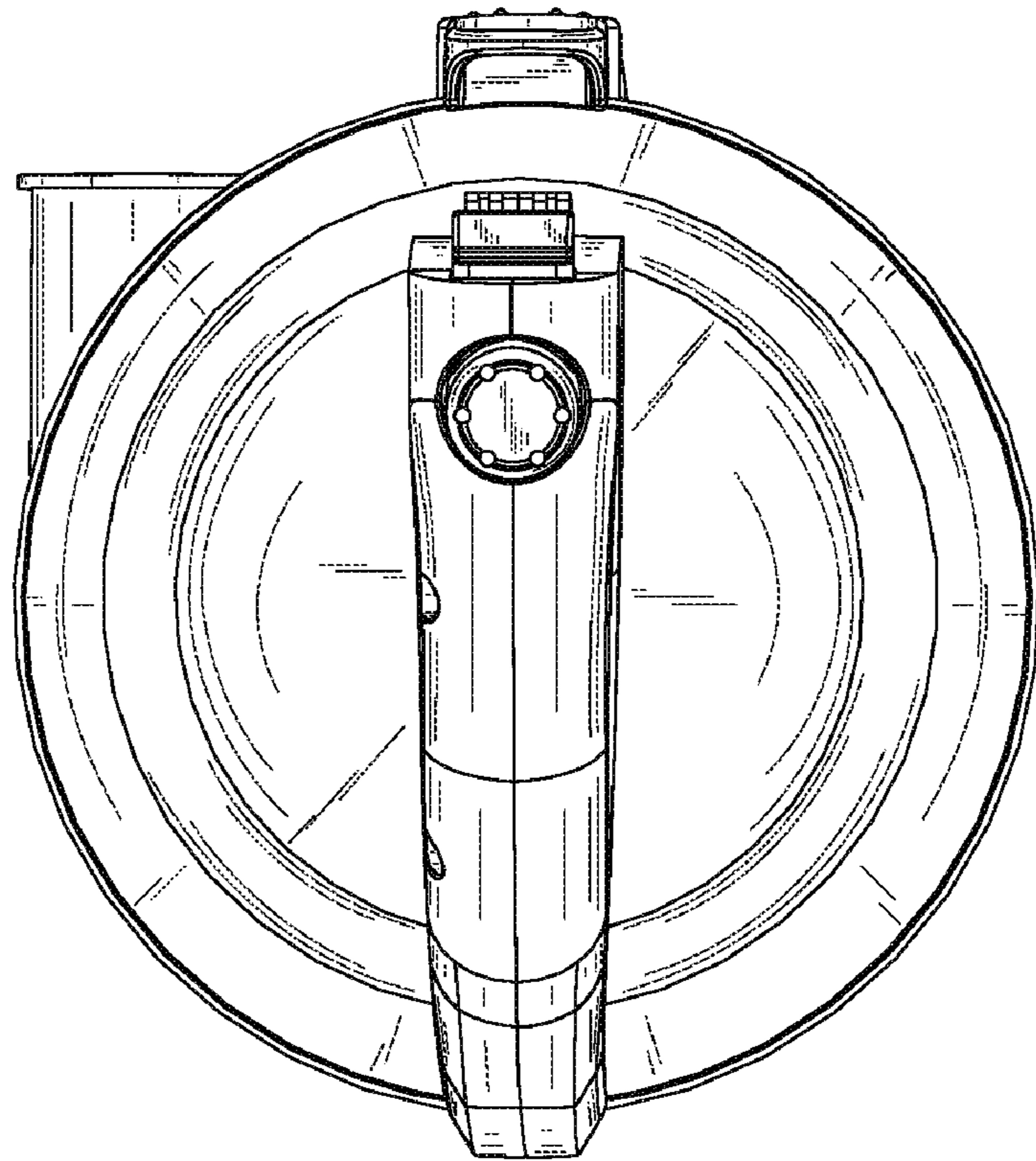


Fig 6

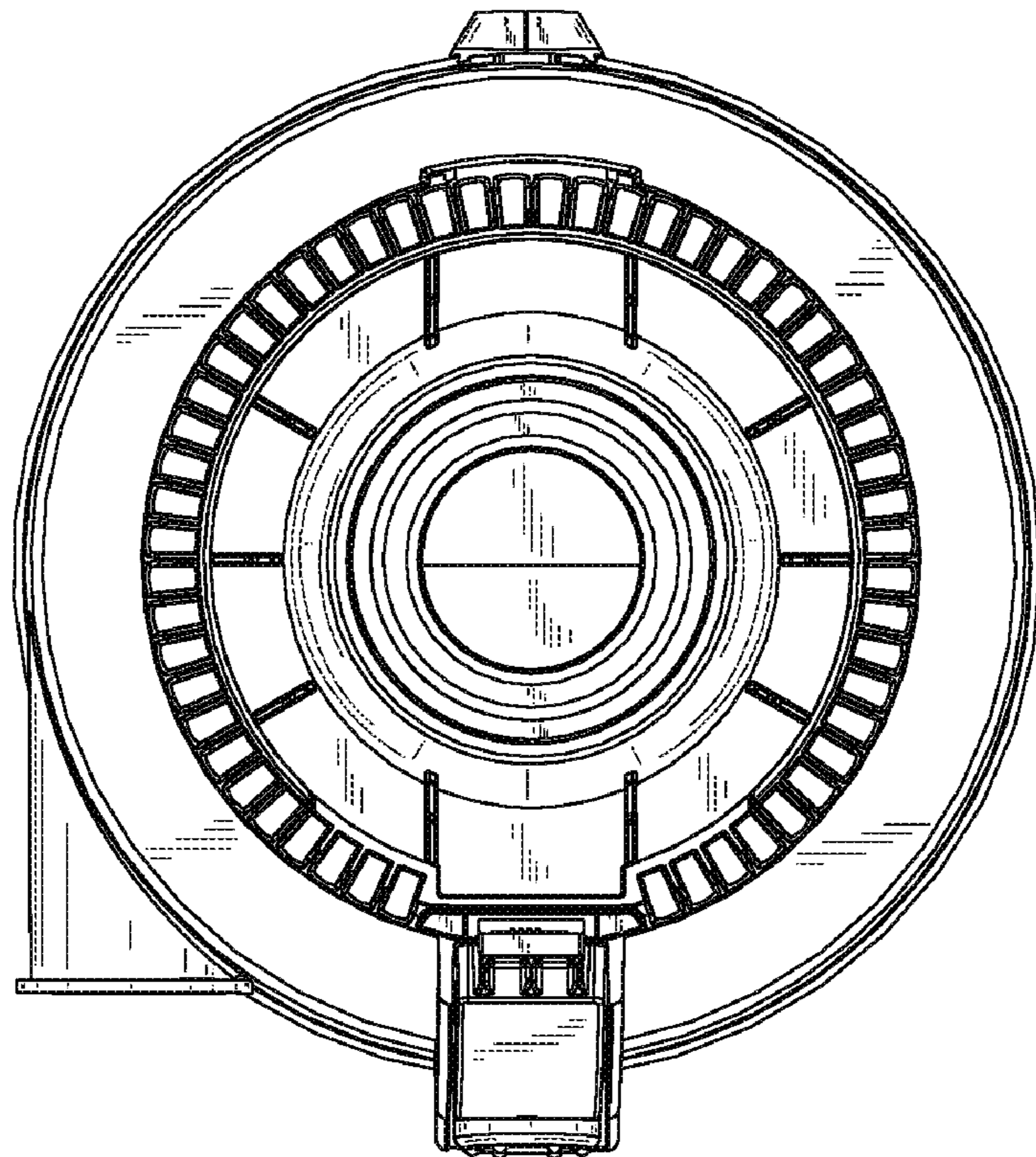


Fig 7