

US00D547494S

(12) **United States Design Patent** (10) **Patent No.:** **US D547,494 S**
Watson et al. (45) **Date of Patent:** **** Jul. 24, 2007**

(54) **RAZOR CARTRIDGE LUBRICANT ASSEMBLY**

(75) Inventors: **Brian Patrick Watson**, Lincoln, RI (US); **Robert Johnson**, Melrose, MA (US); **Soojung Ham**, Providence, RI (US)

(73) Assignee: **The Gillette Company**, Boston, MA (US)

(**) Term: **14 Years**

(21) Appl. No.: **29/263,033**

(22) Filed: **Jul. 14, 2006**

Related U.S. Application Data

(63) Continuation of application No. 29/261,436, filed on Jun. 15, 2006.

(51) **LOC (8) Cl.** **28-03**

(52) **U.S. Cl.** **D28/47**

(58) **Field of Classification Search** 30/32, 30/34.05, 34.1, 34.2, 40-41.8, 44-51, 57, 30/81, 82, 537, 538, 346.5, 346.57; D28/44-48
See application file for complete search history.

(56) **References Cited**

U.S. PATENT DOCUMENTS

D415,315 S * 10/1999 Swanson et al. D28/47
D422,751 S * 4/2000 Gray D28/47
6,584,690 B2 7/2003 Orloff et al.
D512,186 S * 11/2005 Kling D28/54

D524,986 S * 7/2006 Prudden, Jr. D28/47
D526,089 S * 8/2006 Fischer et al. D28/47
D533,684 S * 12/2006 Gray et al. D28/47
2005/0144786 A1 7/2005 Bressler et al.
2005/0278954 A1 12/2005 Orloff et al.

FOREIGN PATENT DOCUMENTS

WO WO 2004/103653 12/2004
WO WO 2005/065896 7/2005

* cited by examiner

Primary Examiner—Jennifer Rivard

(74) *Attorney, Agent, or Firm*—Kevin C. Johnson

(57) **CLAIM**

We claim the ornamental design for a razor cartridge lubricant assembly, as shown and described.

DESCRIPTION

FIG. 1 is a perspective view as seen from the top, front and right side of a razor cartridge lubricant assembly;

FIG. 2 is a top plan view thereof;

FIG. 3 is a left side elevational view thereof, the right side elevation being a mirror image thereof;

FIG. 4 is a bottom plan view thereof;

FIG. 5 is a rear elevational view thereof; and,

FIG. 6 is a front elevational view thereof.

The broken lines are shown for illustrative purposes only and form no part of the claimed design.

1 Claim, 6 Drawing Sheets

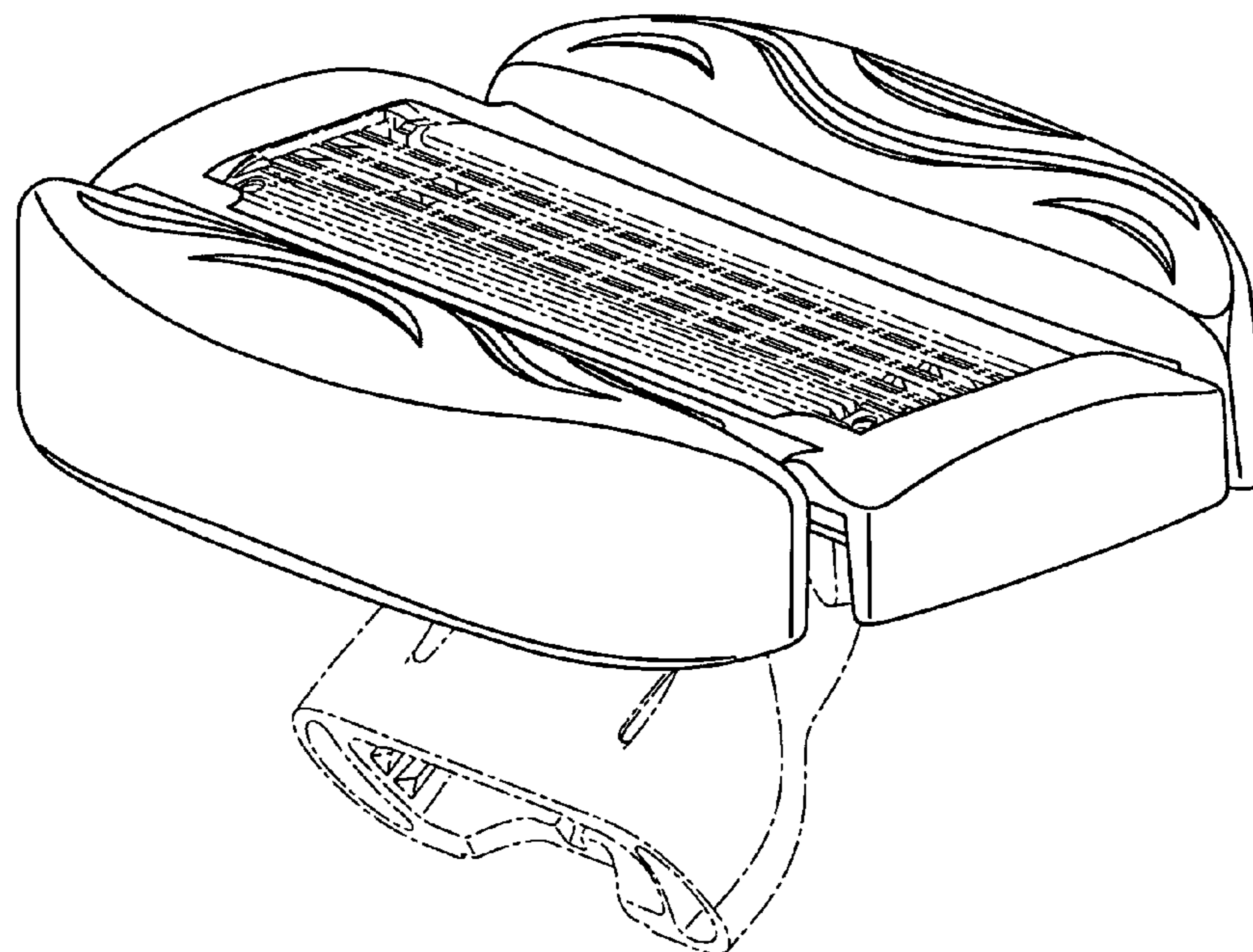


FIG. 1

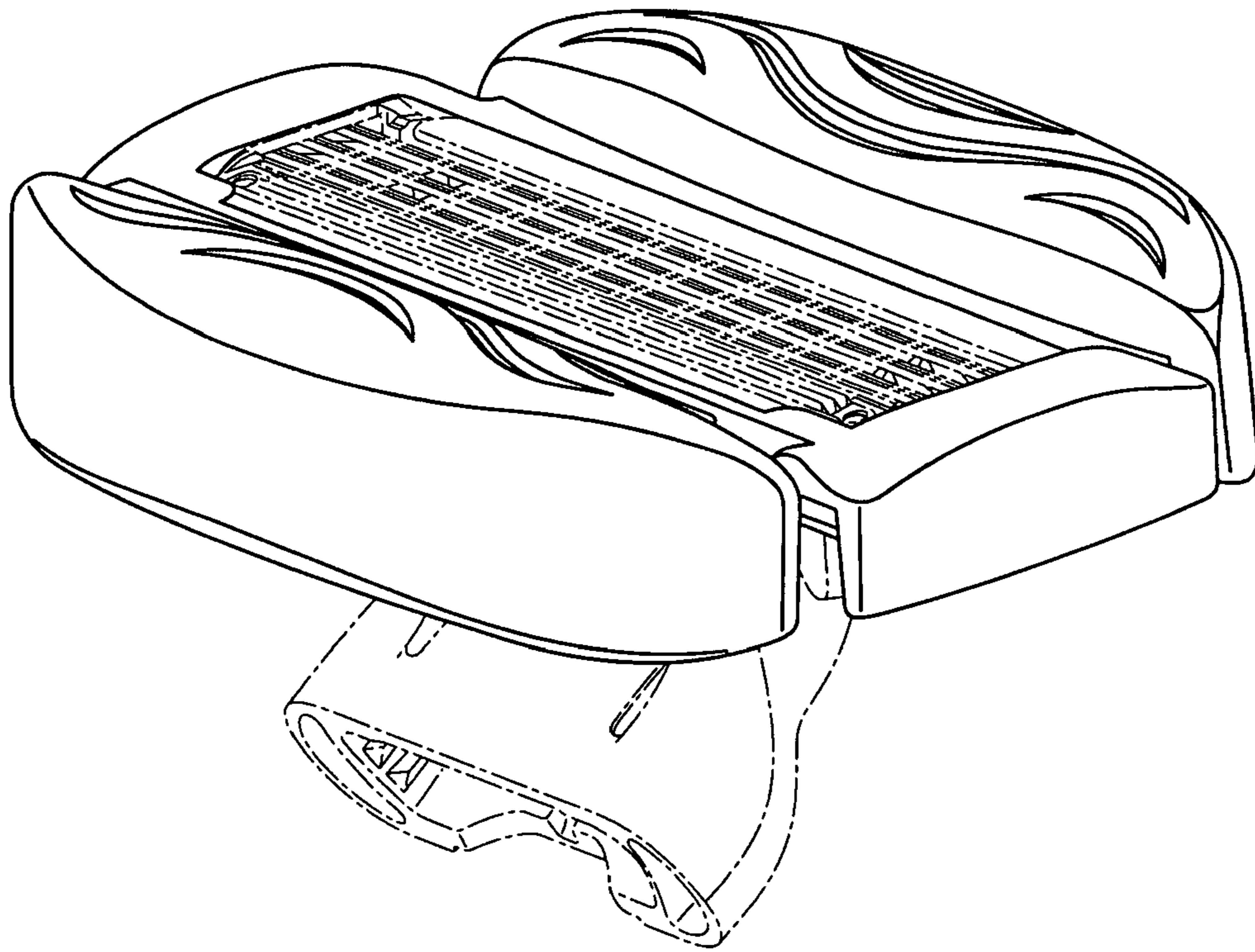


FIG. 2

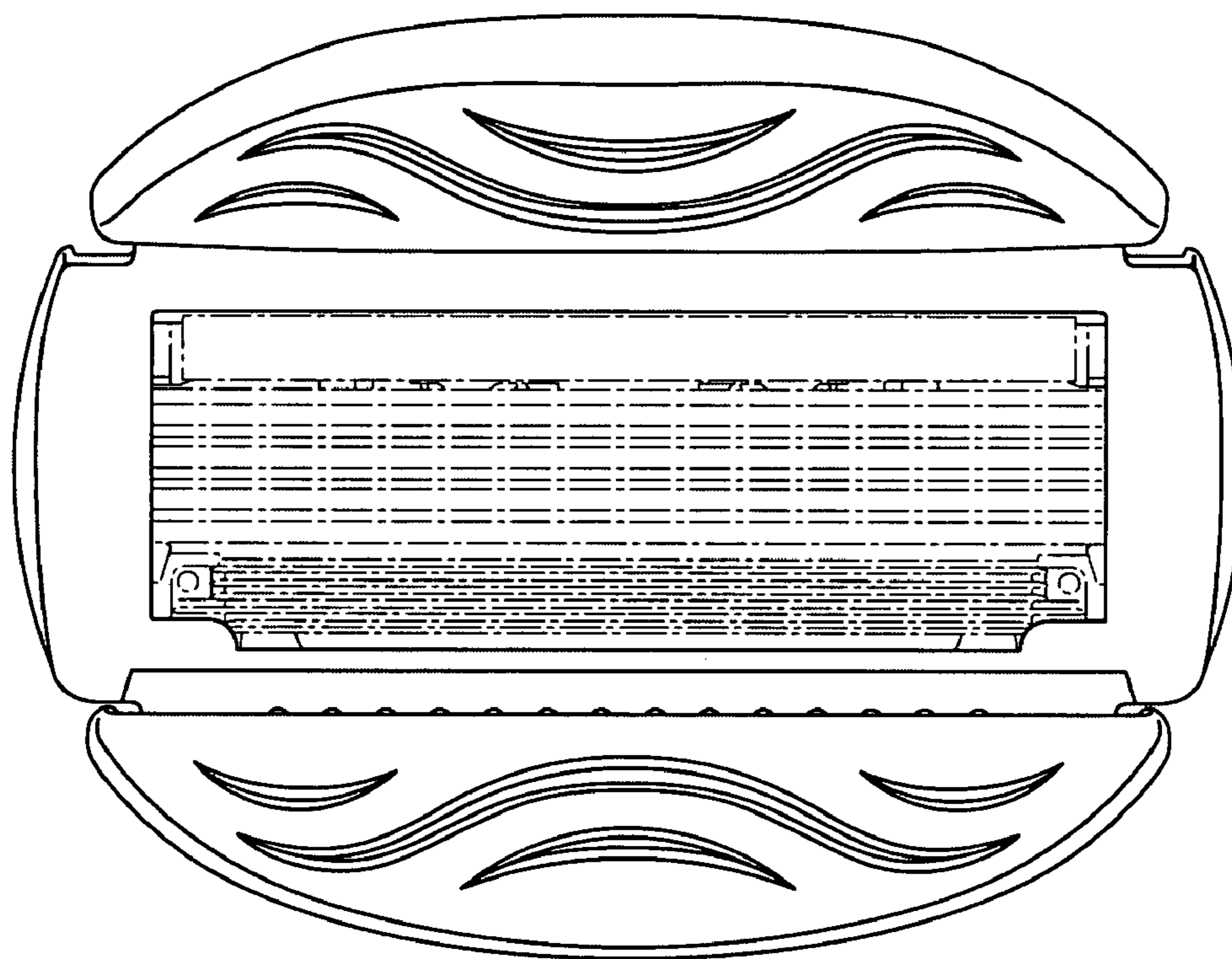


FIG. 3

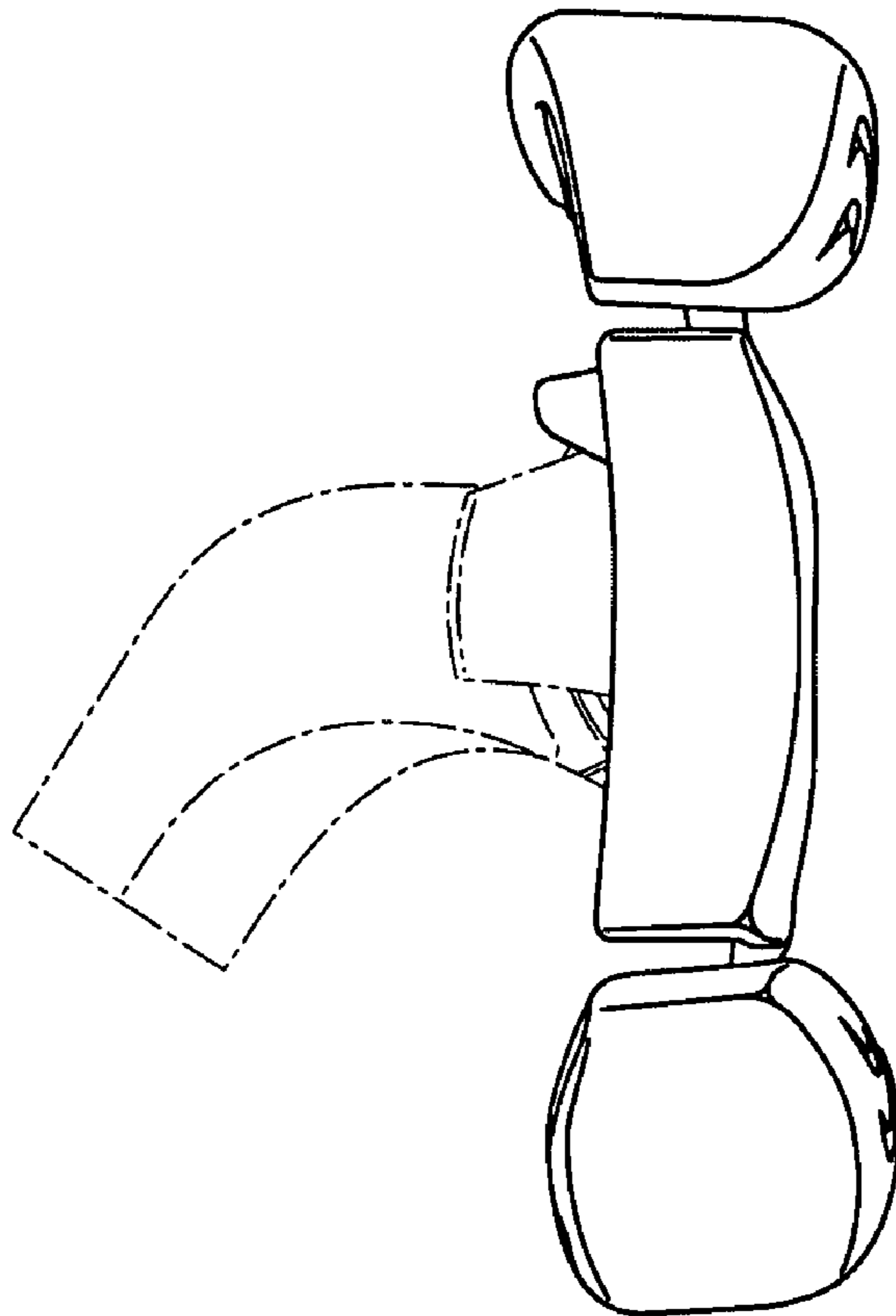


FIG. 4

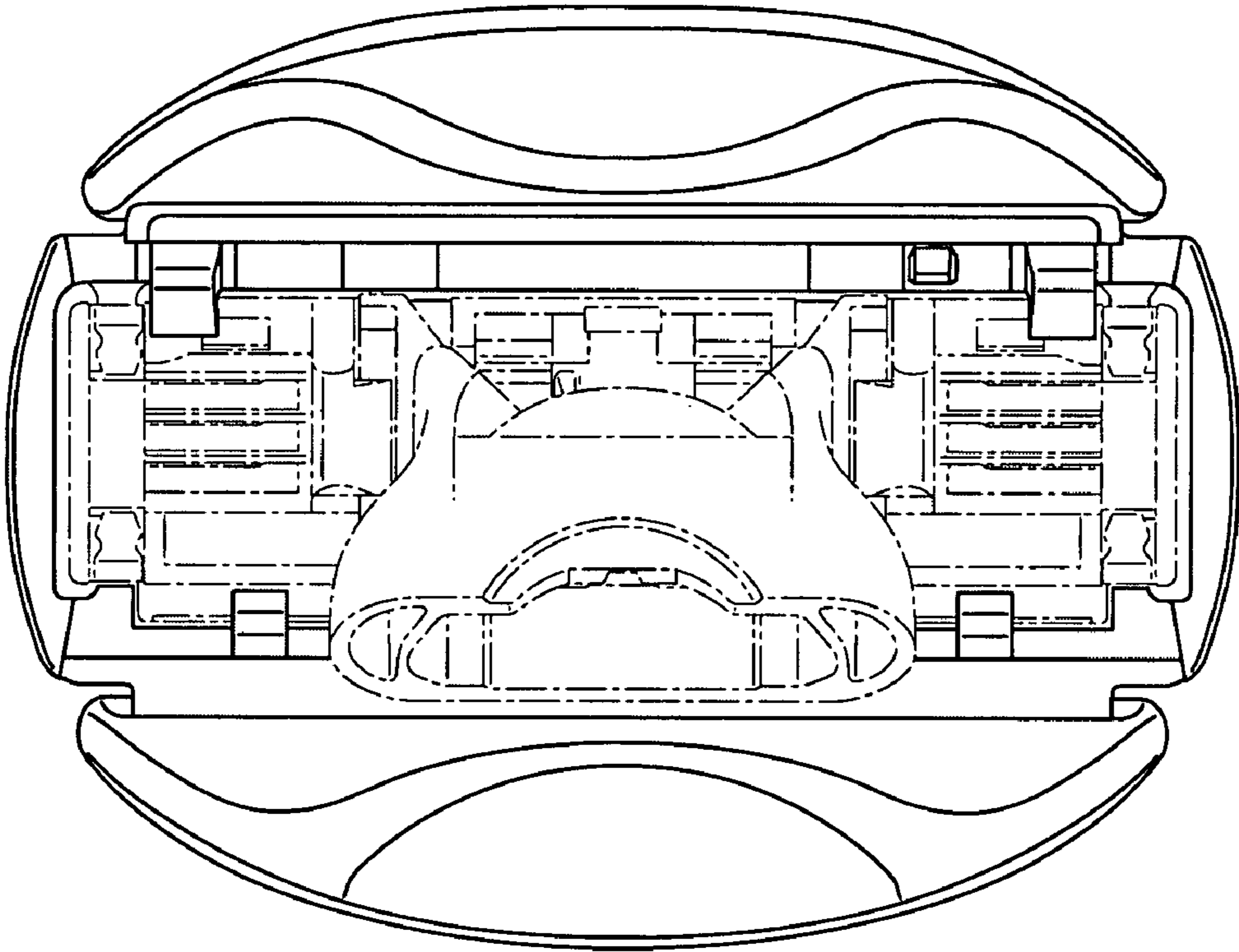


FIG. 5

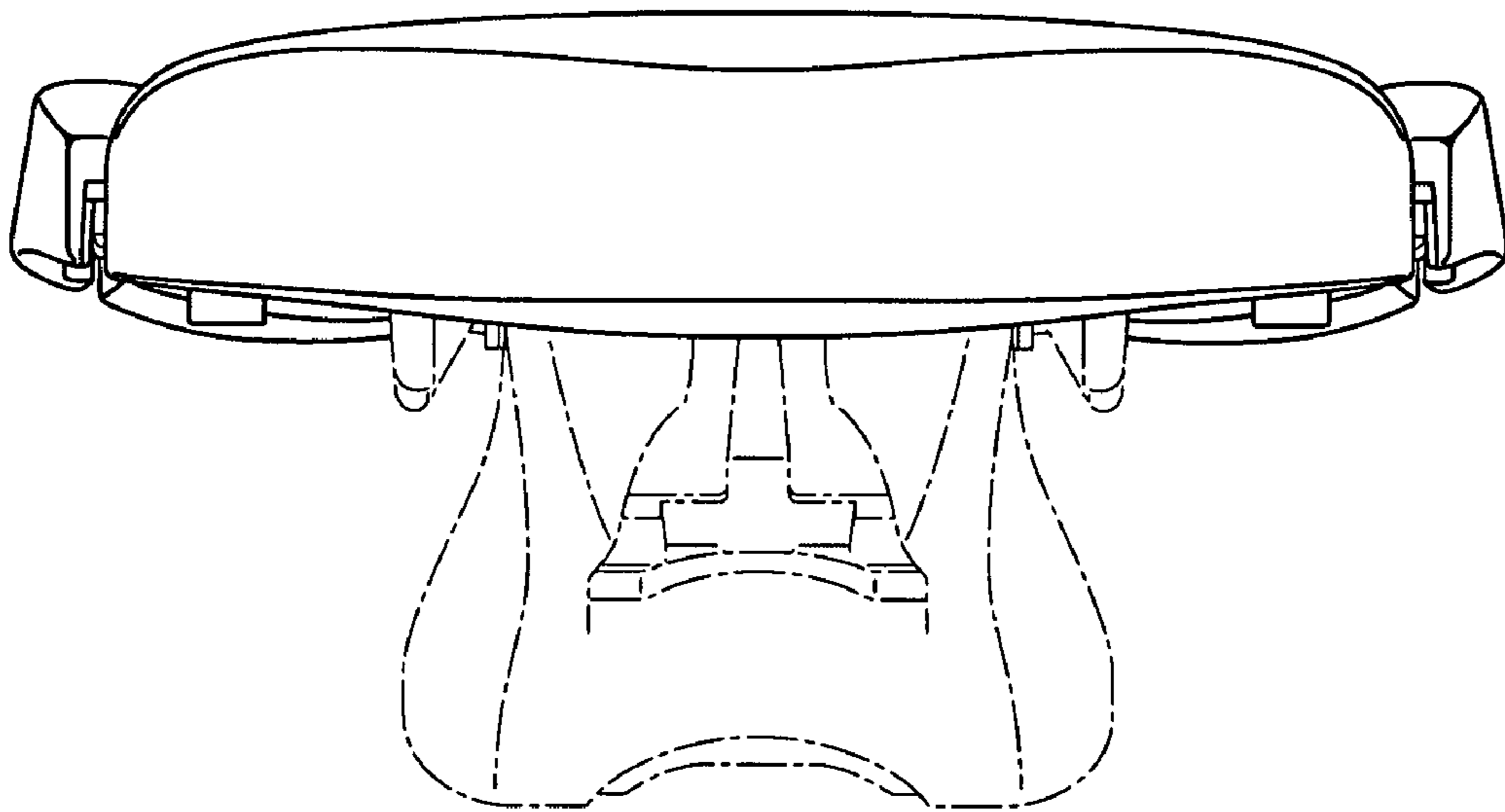


FIG. 6

